



US00D828892S

(12) **United States Design Patent**  
**Kellgren**

(10) **Patent No.:** **US D828,892 S**  
(45) **Date of Patent:** **\*\* Sep. 18, 2018**

(54) **HANDGUN WITH IMPROVED SLIDE**

FOREIGN PATENT DOCUMENTS

(71) Applicant: **Kel-Tec CNC Industries, Inc.**, Cocoa, FL (US)

WO 2015073492 5/2015

(72) Inventor: **George Kellgren**, Cocoa, FL (US)

OTHER PUBLICATIONS

(73) Assignee: **Kel-Tec CNC Industries, Inc.**, Cocoa, FL (US)

Kellgren, G., Utility U.S. Appl. No. 15/976,229 filed May 10, 2018, Office Action Summary dated Jun. 29, 2018, 8 pages.

(\*\*) Term: **15 Years**

\* cited by examiner

(21) Appl. No.: **29/647,181**

*Primary Examiner* — Michael A. Pratt

(22) Filed: **May 10, 2018**

(74) *Attorney, Agent, or Firm* — Brian S. Steinberger;  
Law Offices of Brian S. Steinberger, P.A.

(51) **LOC (11) Cl.** ..... **22-01**

(57) **CLAIM**

(52) **U.S. Cl.**  
USPC ..... **D22/104**

The ornamental design for a handgun with improved slide, as shown and described.

(58) **Field of Classification Search**  
USPC ..... D22/104, 108; D21/573–574  
CPC ..... F41C 3/14; F41C 3/16; F41C 3/04  
See application file for complete search history.

**DESCRIPTION**

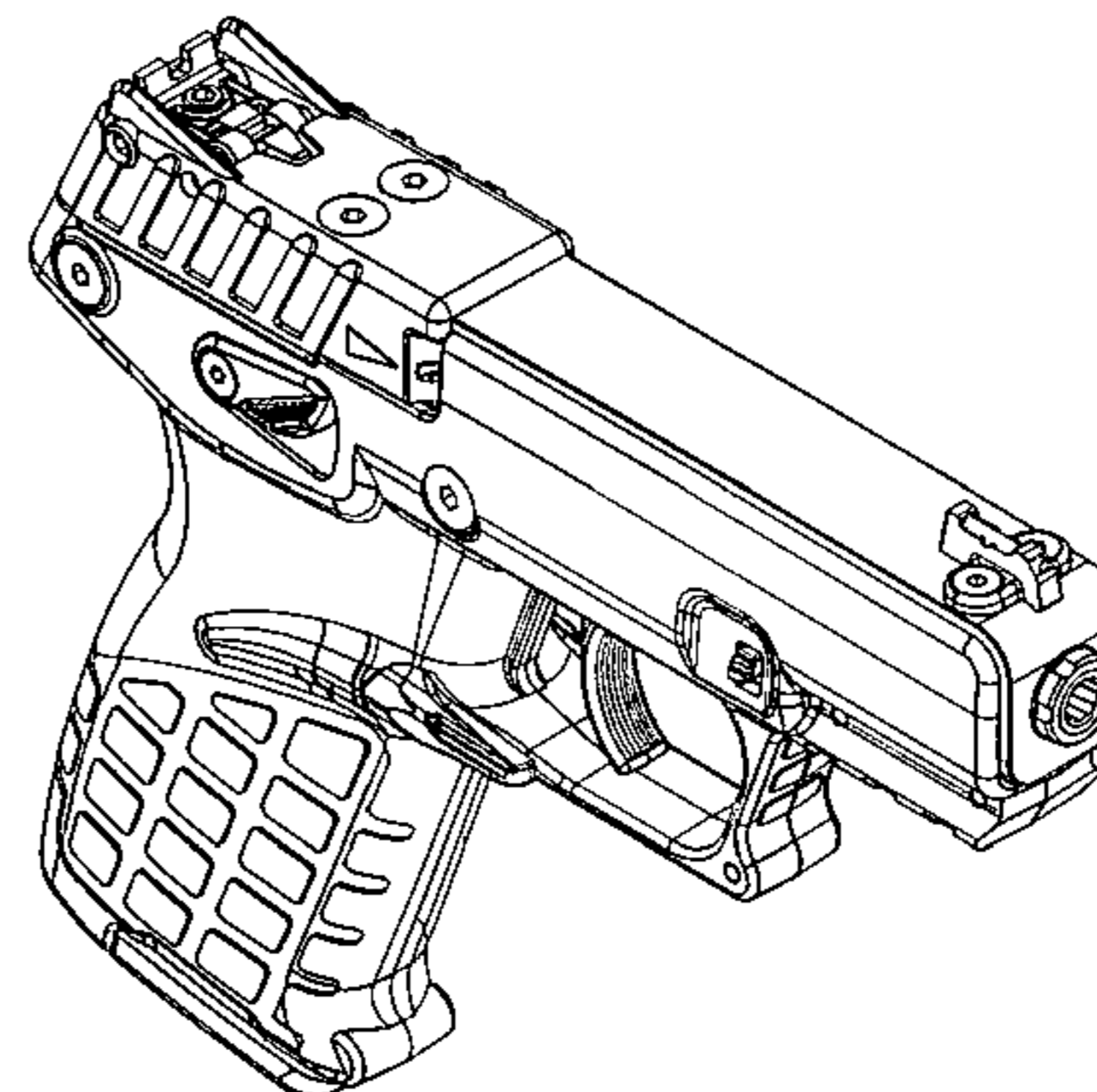
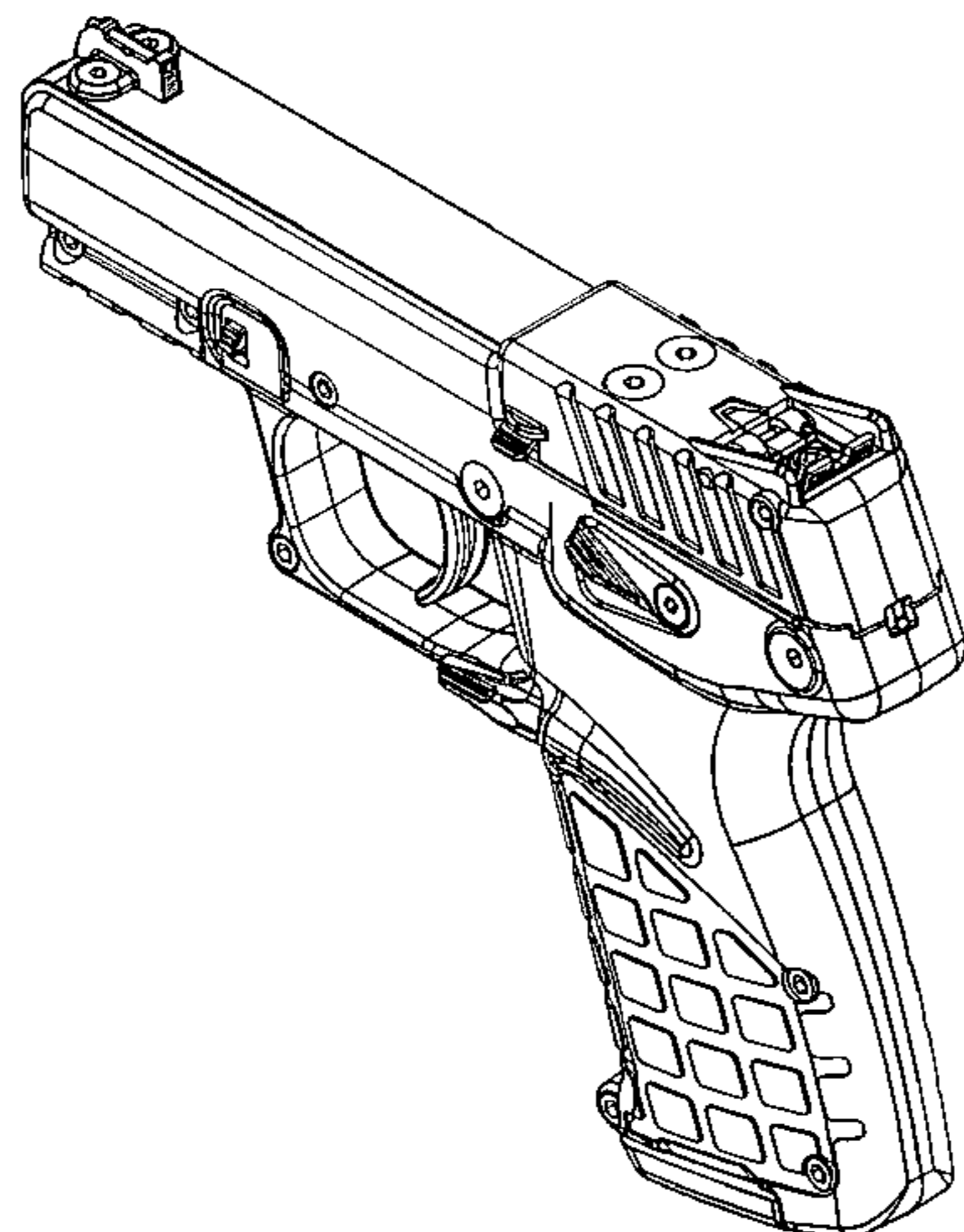
(56) **References Cited**

U.S. PATENT DOCUMENTS

5,042,185 A	8/1991	Justice, Sr.	
5,088,222 A	2/1992	Larson	
5,216,191 A	6/1993	Fox	
5,320,023 A	6/1994	Erdem	
5,465,645 A	11/1995	Cominolli	
5,611,164 A	3/1997	Rassias	
5,955,696 A	9/1999	Meller	
D479,570 S *	9/2003	Scheunert	D22/104
D505,476 S *	5/2005	McGarry	D22/104
D687,117 S *	7/2013	Yigit	D22/104
D692,513 S *	10/2013	Yigit	D22/104
D744,049 S *	11/2015	Chu	D21/574
D755,324 S *	5/2016	Martelli	D22/104
D808,487 S *	1/2018	Beville	D22/104
D814,596 S *	4/2018	Curry	D22/108
2002/0020100 A1	2/2002	Roca et al.	
2005/0188585 A1	9/2005	Vicate	
2014/0075803 A1	3/2014	Muller	
2014/0338522 A1	11/2014	Bellione	

FIG. 1 is an upper rear right perspective view of the handgun with improved slide.  
 FIG. 2 is an upper front left perspective view of the handgun with improved slide of FIG. 1.  
 FIG. 3 is a lower front right perspective view of the handgun with improved slide of FIG. 1.  
 FIG. 4 is a lower rear right perspective view of the handgun with improved slide of FIG. 1.  
 FIG. 5 is right side view of the handgun with improved slide of FIG. 1.  
 FIG. 6 is a left side view of the handgun with improved slide of FIG. 1.  
 FIG. 7 is a front end view of the handgun with improved slide of FIG. 1.  
 FIG. 8 is a rear end view of the handgun with improved slide of FIG. 1.  
 FIG. 9 is a top view of the handgun with improved slide of FIG. 1; and,  
 FIG. 10 is a bottom view of the handgun with improved slide of FIG. 1.

**1 Claim, 5 Drawing Sheets**



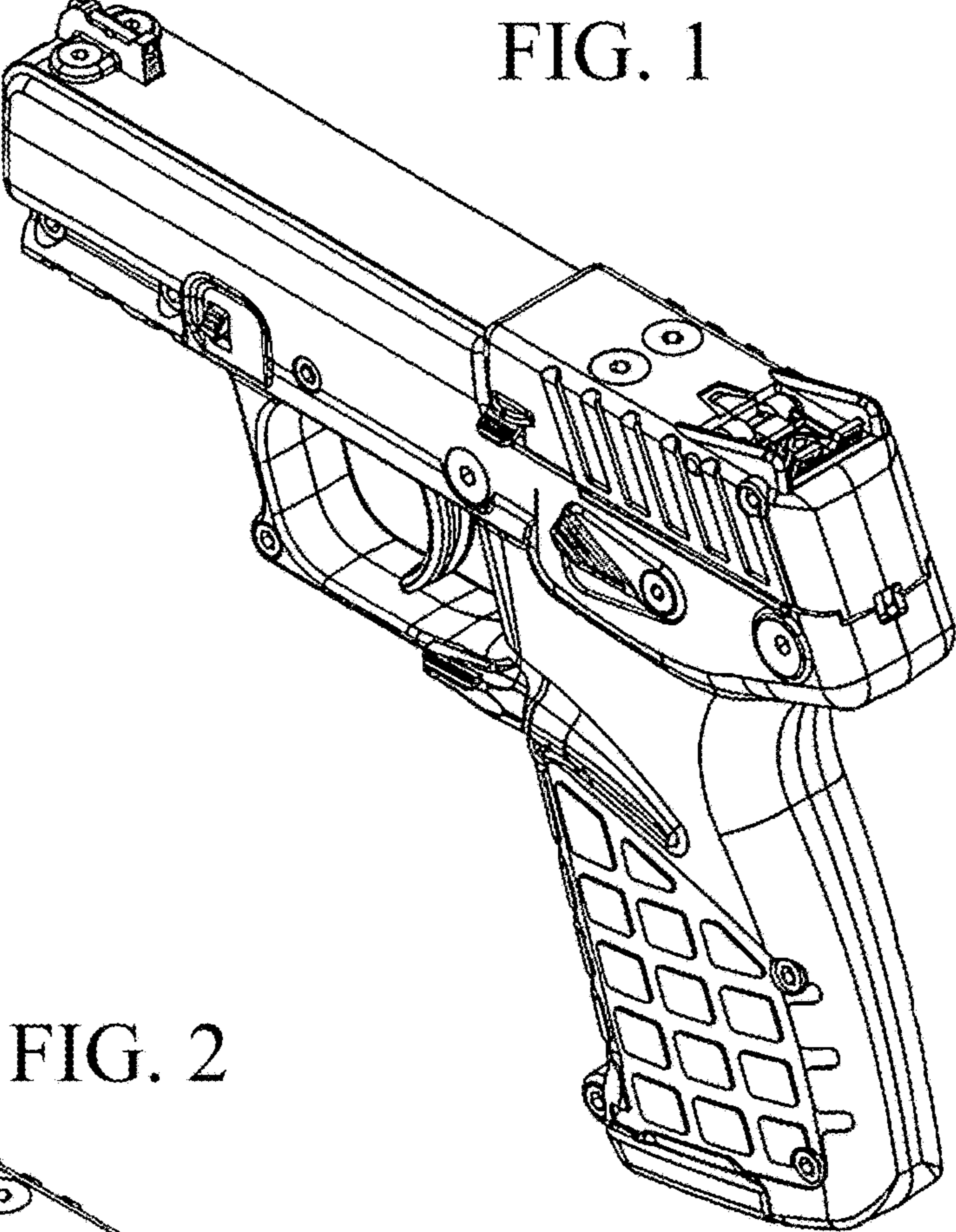


FIG. 1

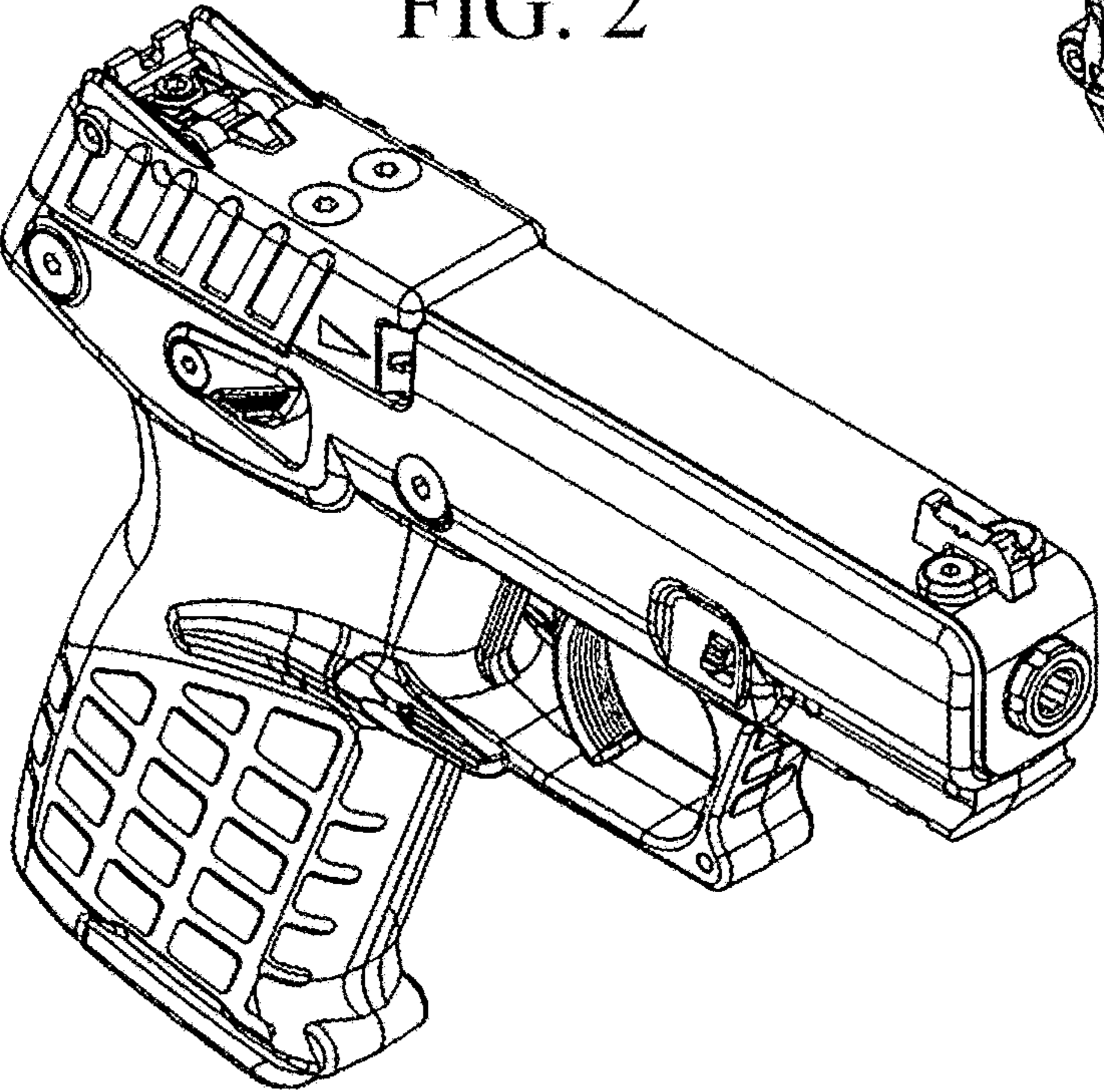


FIG. 2



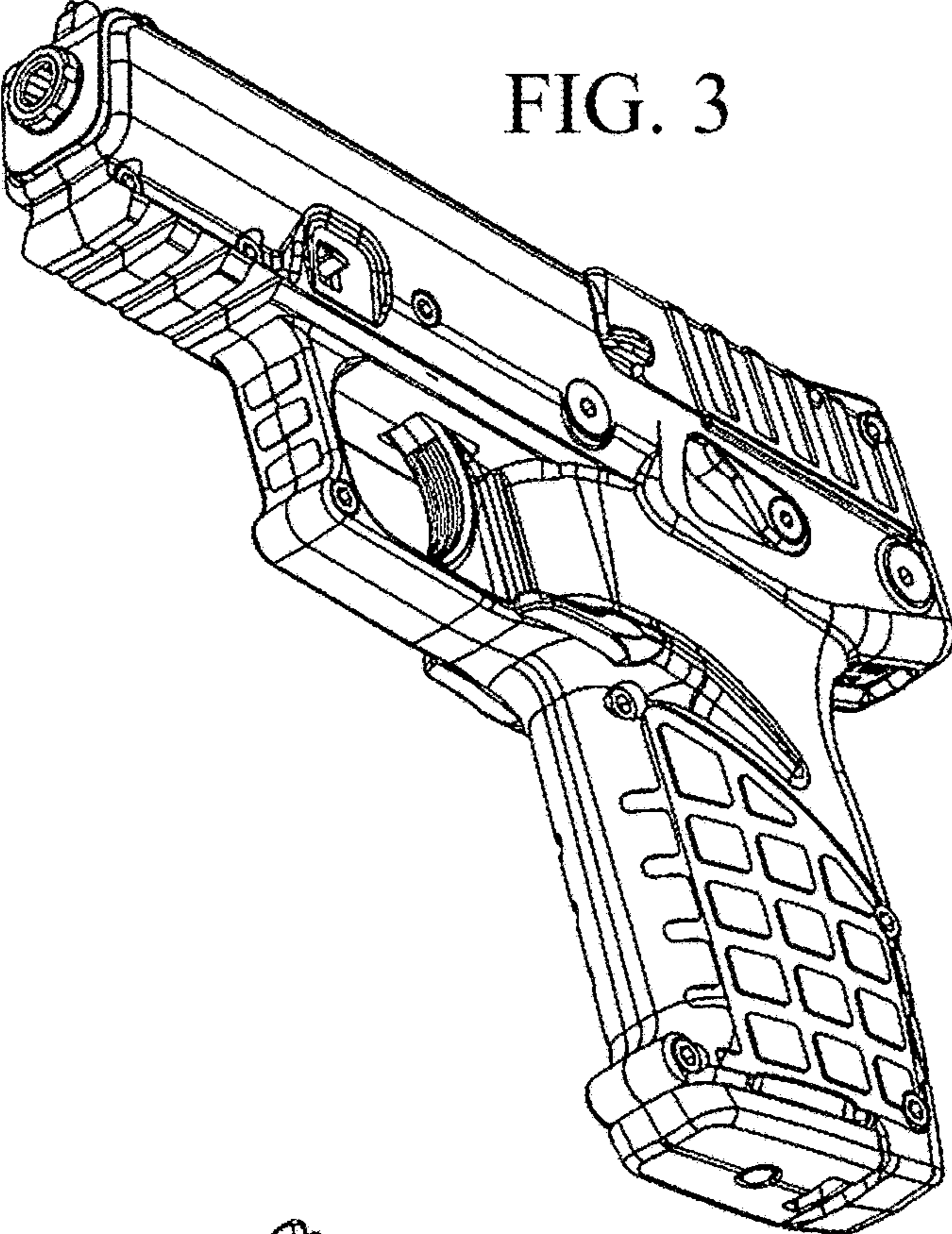


FIG. 3

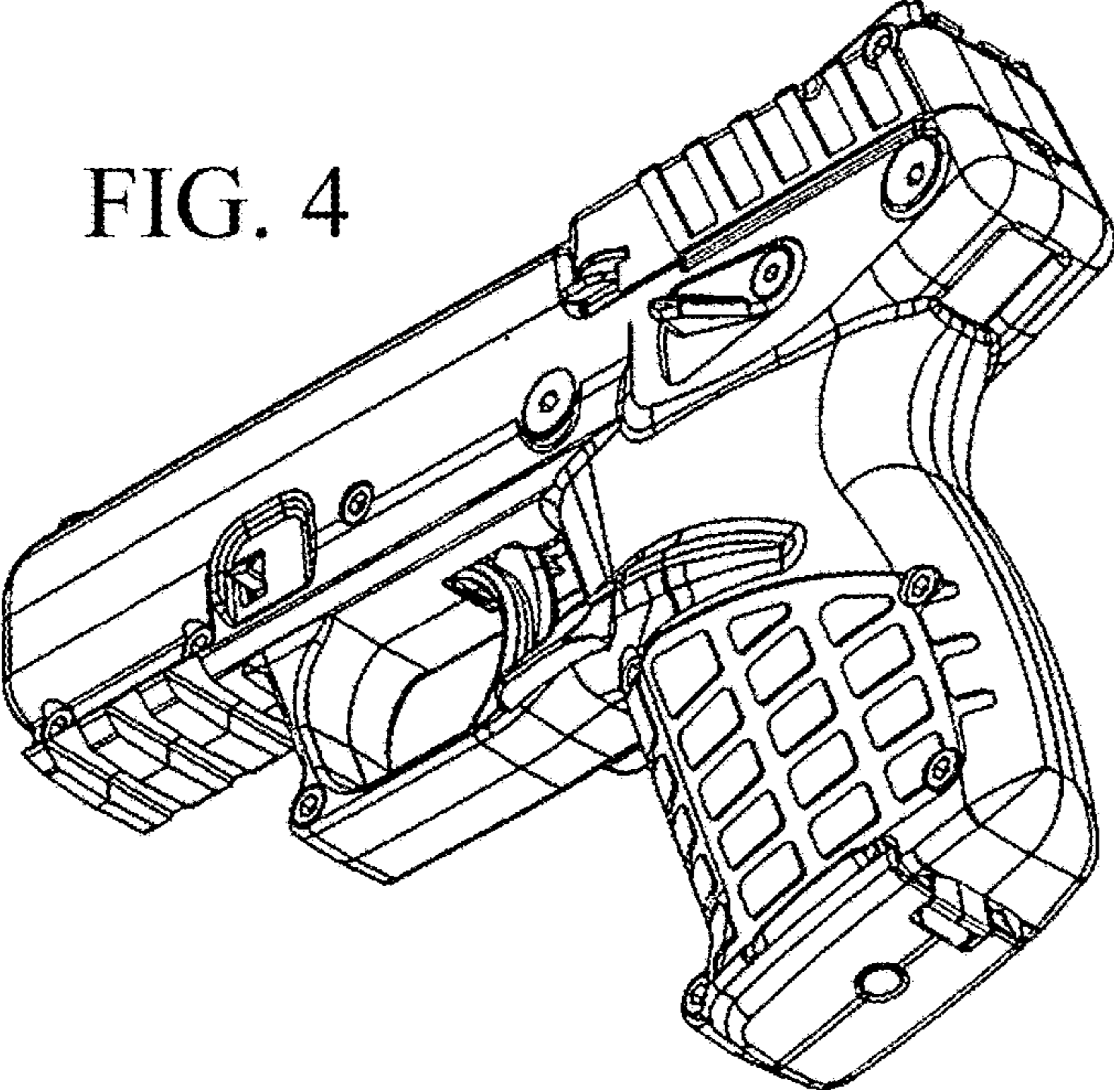


FIG. 4

FIG. 5

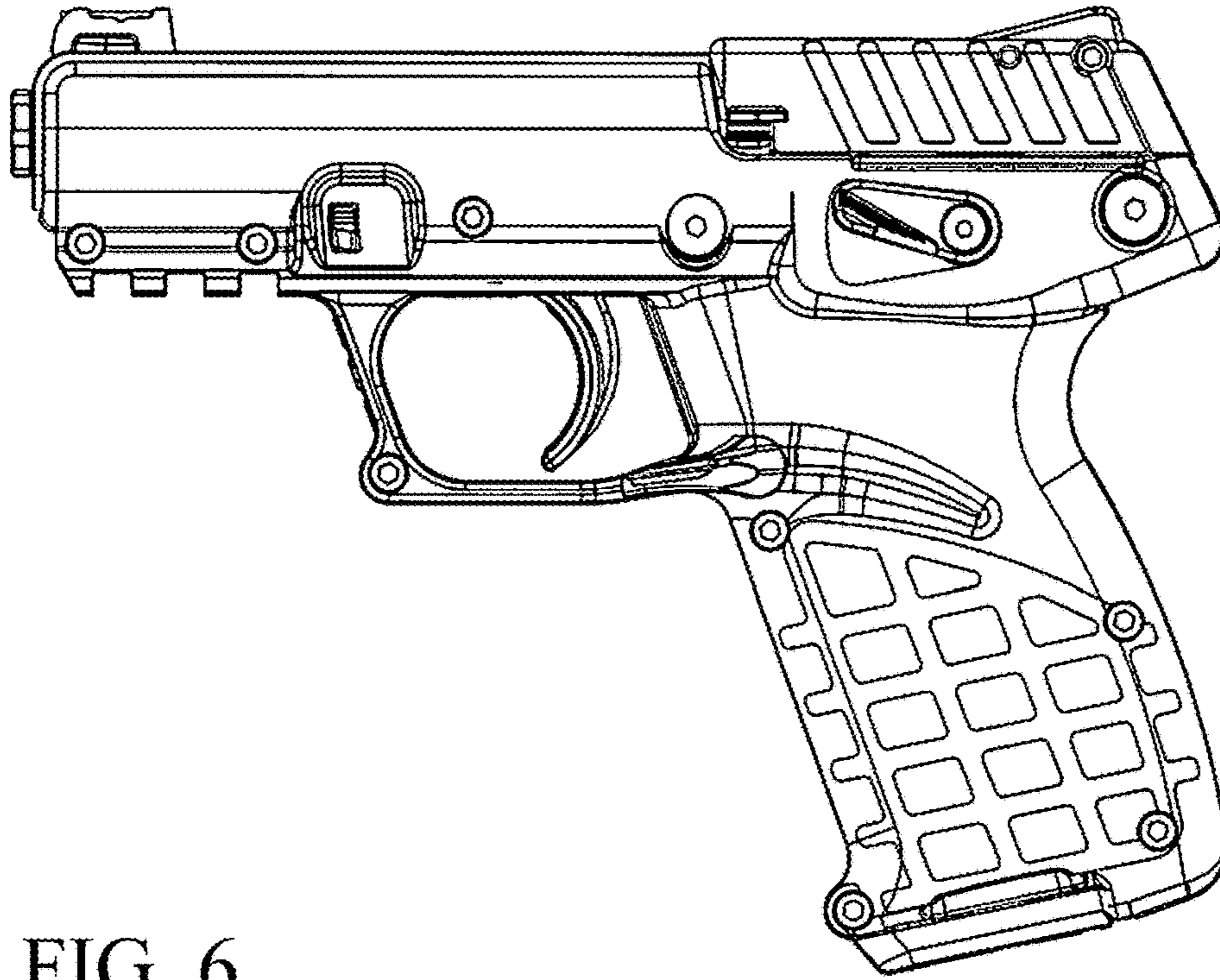


FIG. 6

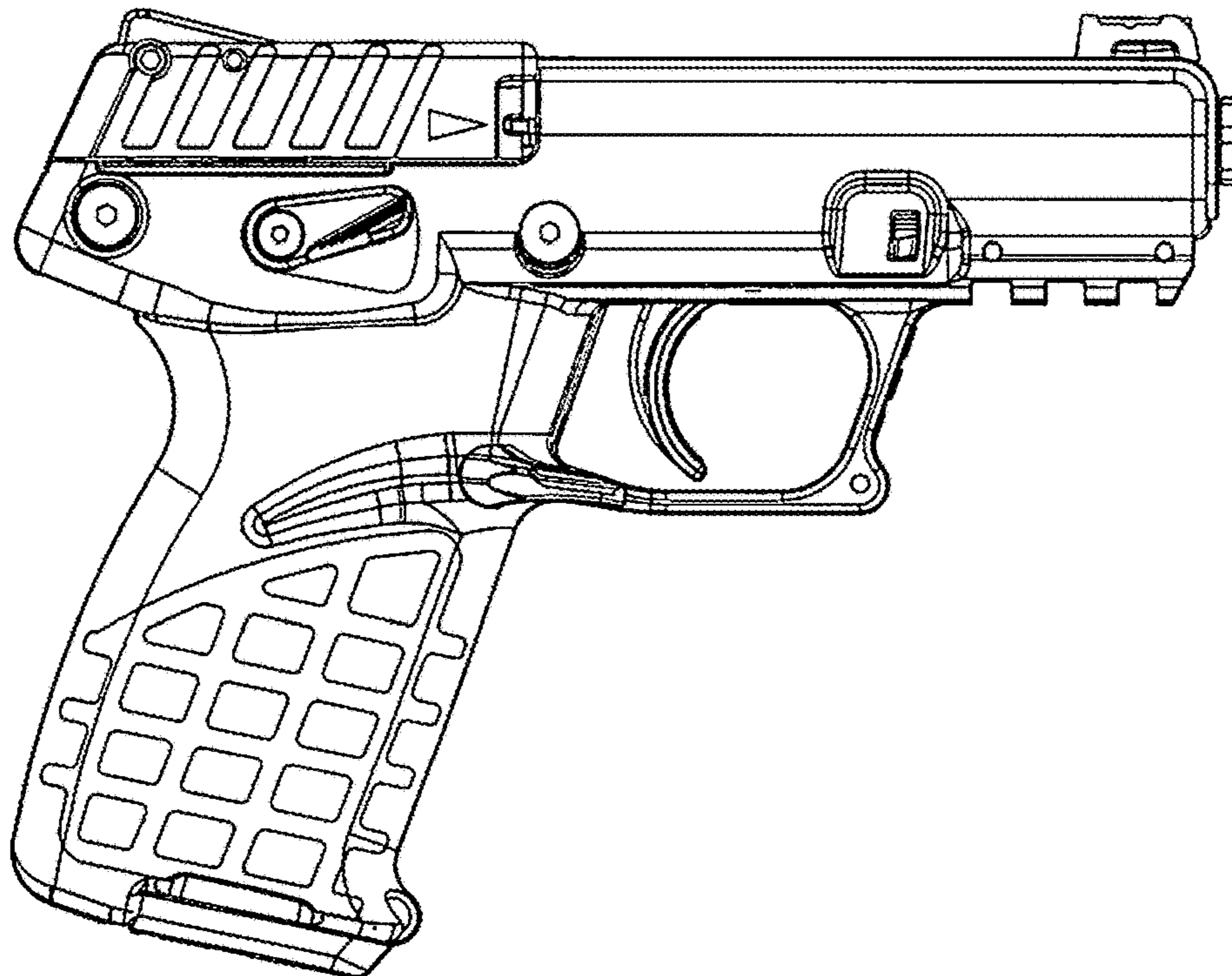


FIG. 7

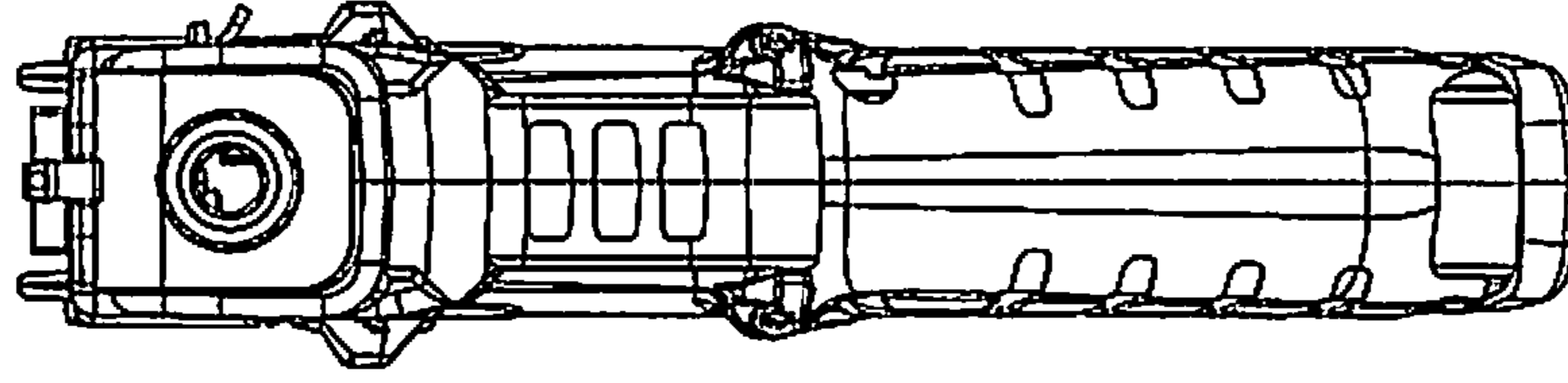


FIG. 8

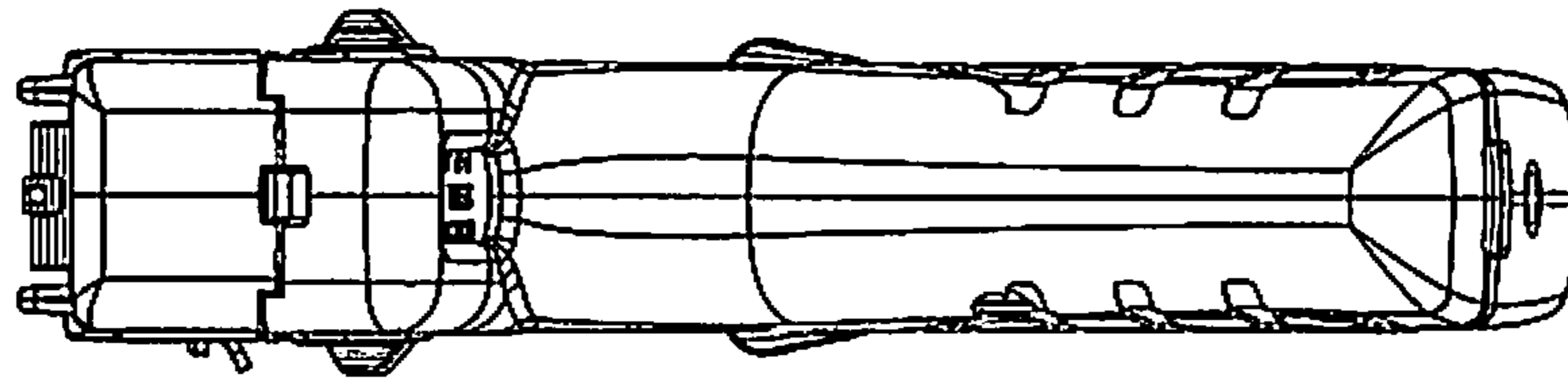


FIG. 9

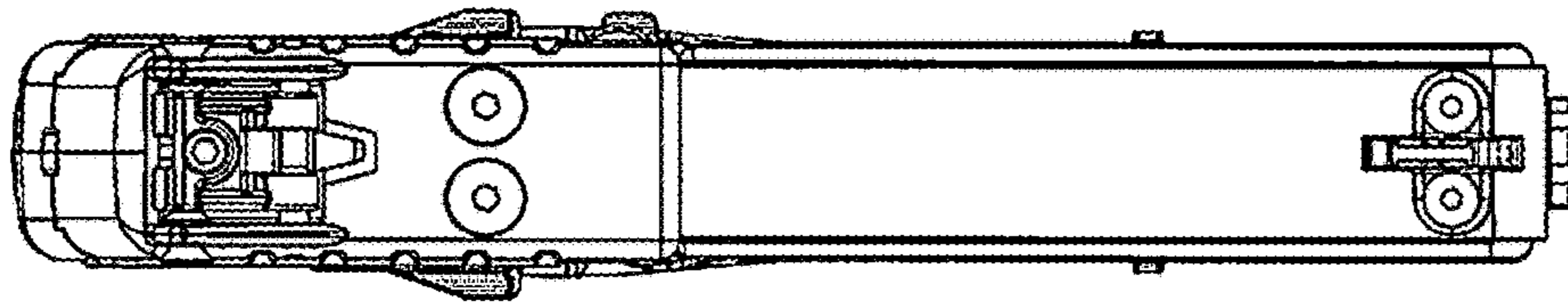


FIG. 10

