



US00D828889S

(12) **United States Design Patent**
Maere

(10) **Patent No.:** **US D828,889 S**

(45) **Date of Patent:** **** Sep. 18, 2018**

(54) **GOLF FLAGSTICK SUPPORT**

(71) Applicant: **Bart Robert Maere**, Panora, IA (US)

(72) Inventor: **Bart Robert Maere**, Panora, IA (US)

(**) Term: **15 Years**

(21) Appl. No.: **29/584,151**

(22) Filed: **Nov. 11, 2016**

(51) **LOC (11) Cl.** **21-02**

(52) **U.S. Cl.**

USPC **D21/796**; D6/552

(58) **Field of Classification Search**

USPC D21/789, 796; D6/552

CPC A63B 55/00; A63B 55/10; A63B 55/408;
A63B 55/50

See application file for complete search history.

(56) **References Cited**

U.S. PATENT DOCUMENTS

D271,920	S	*	12/1983	Sanker	D6/681.1
D318,090	S	*	7/1991	Bahns	D21/796
5,127,530	A	*	7/1992	Ortuno	A63B 55/10 206/315.2
D360,451	S	*	7/1995	Levocz	D21/796
D363,849	S	*	11/1995	Bruns	D6/552
5,467,980	A	*	11/1995	Weisenstein	A63B 55/10 473/282
D371,590	S	*	7/1996	Ludwig	D21/796
5,636,754	A	*	6/1997	Ennis	A63B 55/10 211/70.2
D400,611	S	*	11/1998	Schoenbeck	D21/796
D400,612	S	*	11/1998	Rubin	D21/796
5,873,471	A	*	2/1999	Ruggeri	A45F 3/44 211/70.2
D407,774	S	*	4/1999	Weiss	D21/796
D418,186	S	*	12/1999	Canterbury	D21/796
D430,253	S	*	8/2000	Shea	D21/796
D444,199	S	*	6/2001	Shea	D21/796
6,260,717	B1	*	7/2001	Keller, Jr.	A63B 55/10 211/60.1

D447,530	S	*	9/2001	Hidalgo	D21/793
D457,213	S	*	5/2002	Davies	D21/796
D458,660	S	*	6/2002	Stealey	D21/796

(Continued)

Primary Examiner — Mitchell I. Siegel

(74) *Attorney, Agent, or Firm* — Hovey Williams LLP

(57) **CLAIM**

The ornamental design for a golf flagstick support, as shown and described.

DESCRIPTION

FIG. 1 is a right side elevation of a golf flagstick support embodying my design and supporting an unclaimed flagstick;

FIG. 2 is a front perspective of the golf flagstick support shown in FIG. 1;

FIG. 3 is a rear perspective of the golf flagstick support shown in FIGS. 1 and 2;

FIG. 4 is a front elevation of the golf flagstick support shown in FIGS. 1-3;

FIG. 5 is a right side elevation of the golf flagstick support shown in FIGS. 1-4, with the opposite side elevation being a mirror image thereof;

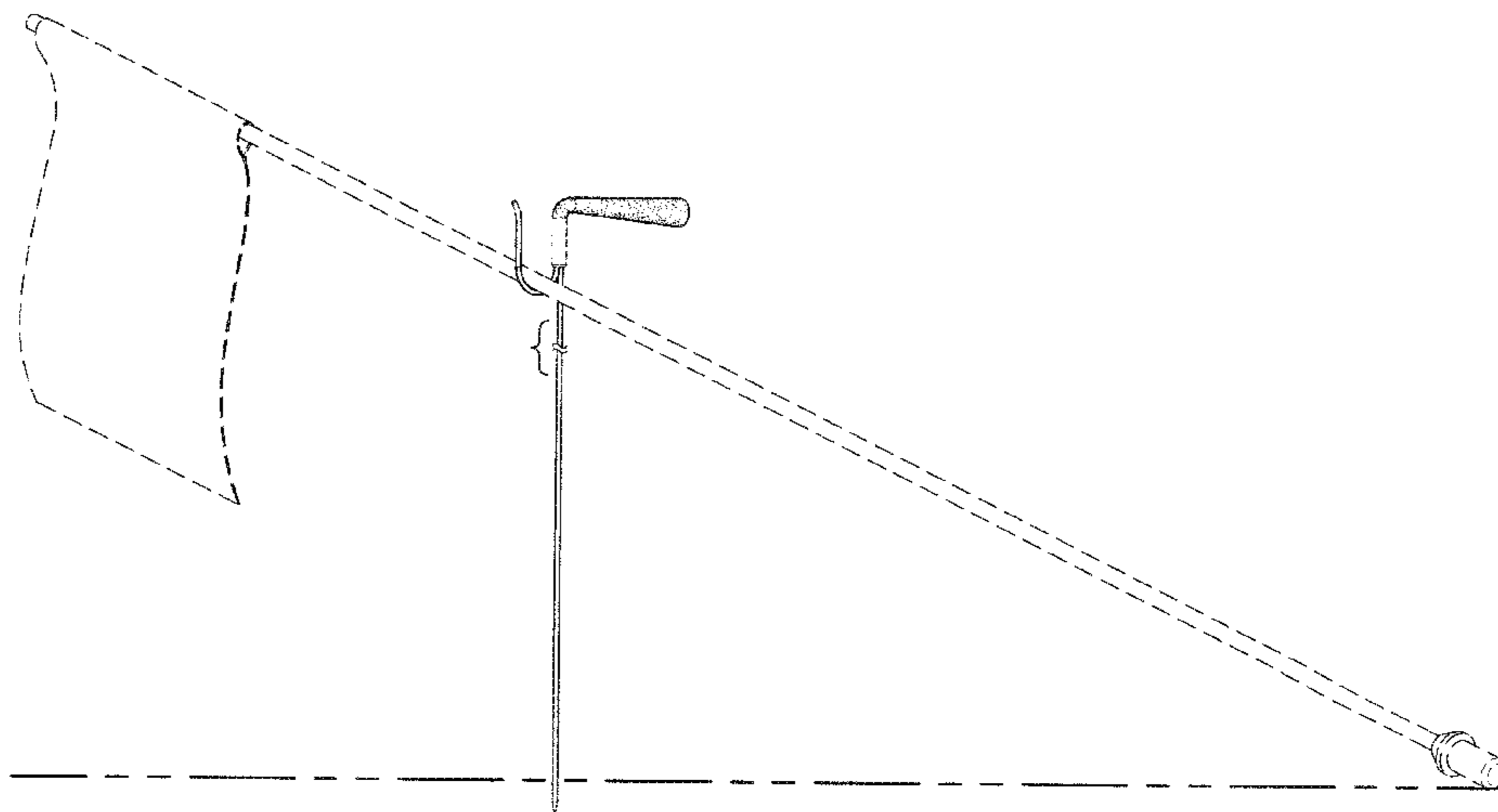
FIG. 6 is a rear elevation of the golf flagstick support shown in FIGS. 1-5;

FIG. 7 is a top view of the golf flagstick support shown in FIGS. 1-6; and,

FIG. 8 is a bottom view of the golf flagstick support shown in FIGS. 1-7.

The broken lines showing the flagstick, portions of the support grip, the support stem, and the U-shaped support clip are for environmental purposes only and form no part of the claimed design. The broken away sections in the drawings indicate the appearance of any portion of the article between the break lines forms no part of the claimed design. The dash-dot-dot-dash line represents the ground and forms no part of the claimed design.

1 Claim, 4 Drawing Sheets



(56)

References Cited

U.S. PATENT DOCUMENTS

6,497,327 B1 * 12/2002 Rindfleisch A24F 13/22
211/70.2
D471,613 S * 3/2003 Richardson D21/796
6,572,487 B1 * 6/2003 Ruff A63B 55/10
211/70.2
D492,379 S * 6/2004 Miavitz D21/796
D493,860 S * 8/2004 Fox D21/796
D505,174 S * 5/2005 Thomas, Sr. D21/796
D530,768 S * 10/2006 Rood D21/796
7,235,022 B2 * 6/2007 Pepe A63B 55/10
248/156
D550,801 S * 9/2007 Valiante D21/796
D564,614 S * 3/2008 Valiante D21/796
D587,331 S * 2/2009 Fair D21/796
D651,676 S * 1/2012 Stuef D21/796
D653,298 S * 1/2012 Werre D21/796
D695,865 S * 12/2013 Swan D21/796
D709,579 S * 7/2014 Remington D21/796
2003/0207721 A1 * 11/2003 Hall A24F 13/12
473/282
2007/0078025 A1 * 4/2007 Pepe A63B 55/10
473/282
2007/0093311 A1 * 4/2007 Fletcher A63B 55/10
473/282
2009/0111601 A1 * 4/2009 Fletcher A63B 55/10
473/282

* cited by examiner

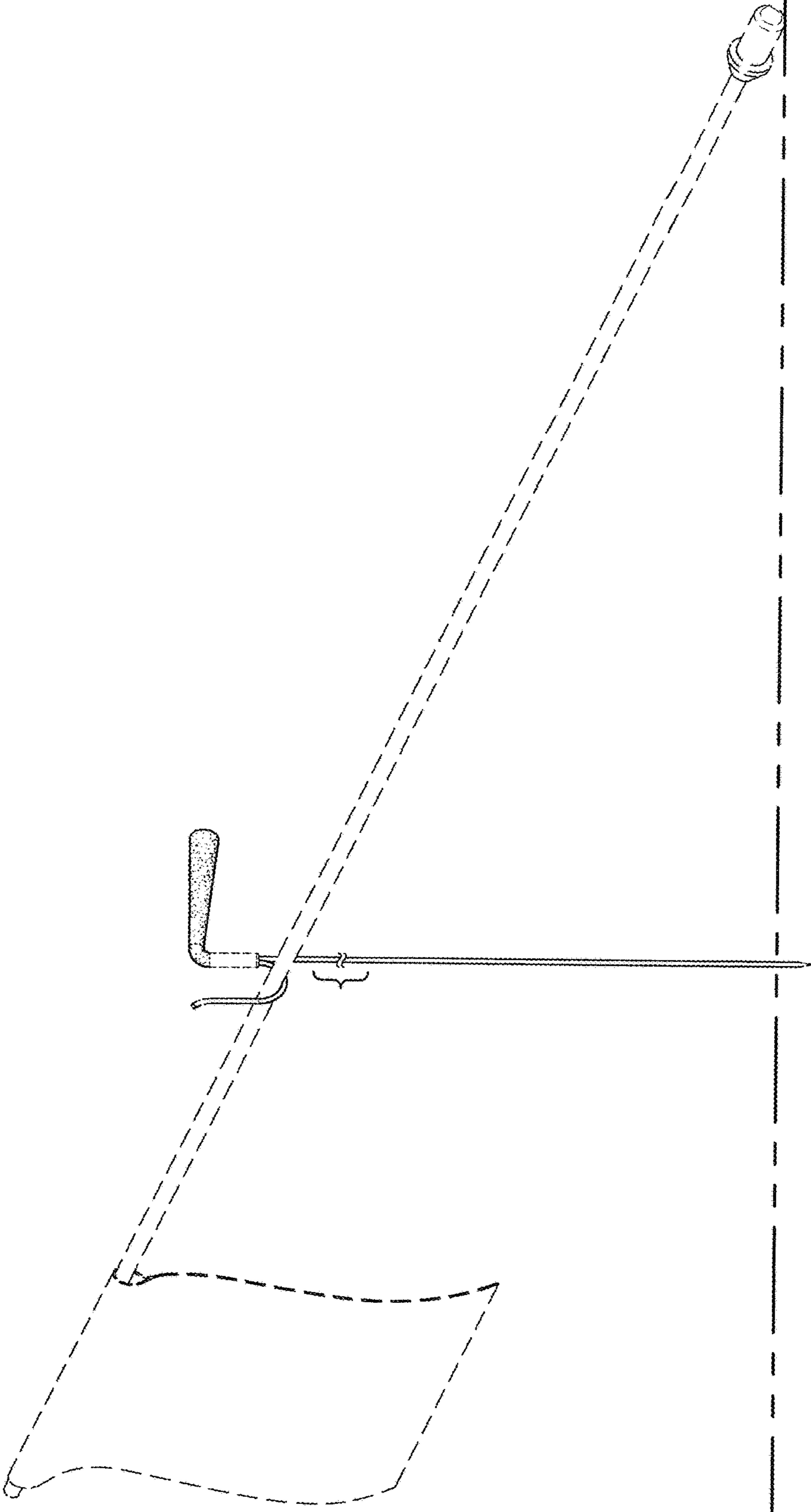


FIG. 1

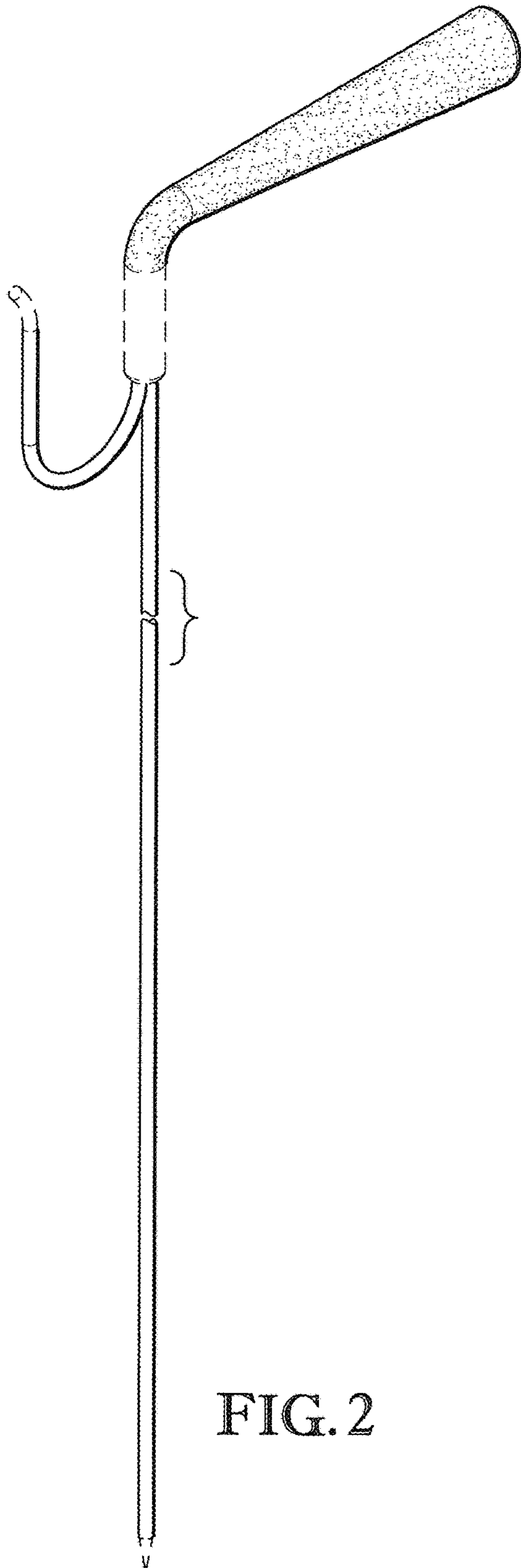


FIG. 2

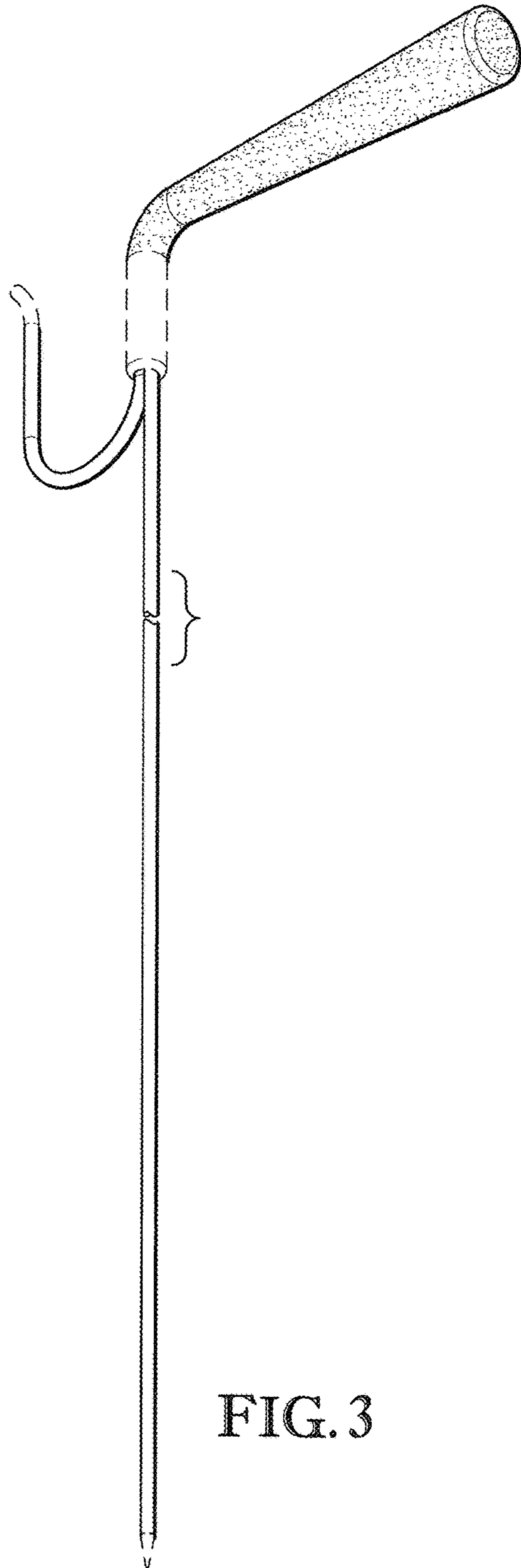


FIG. 3

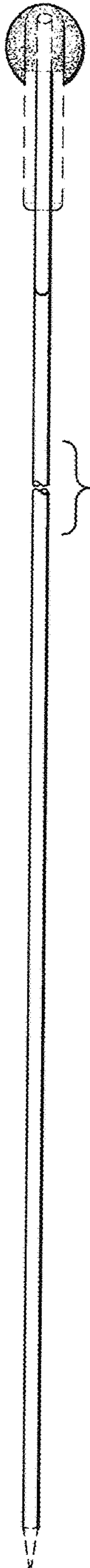


FIG. 4

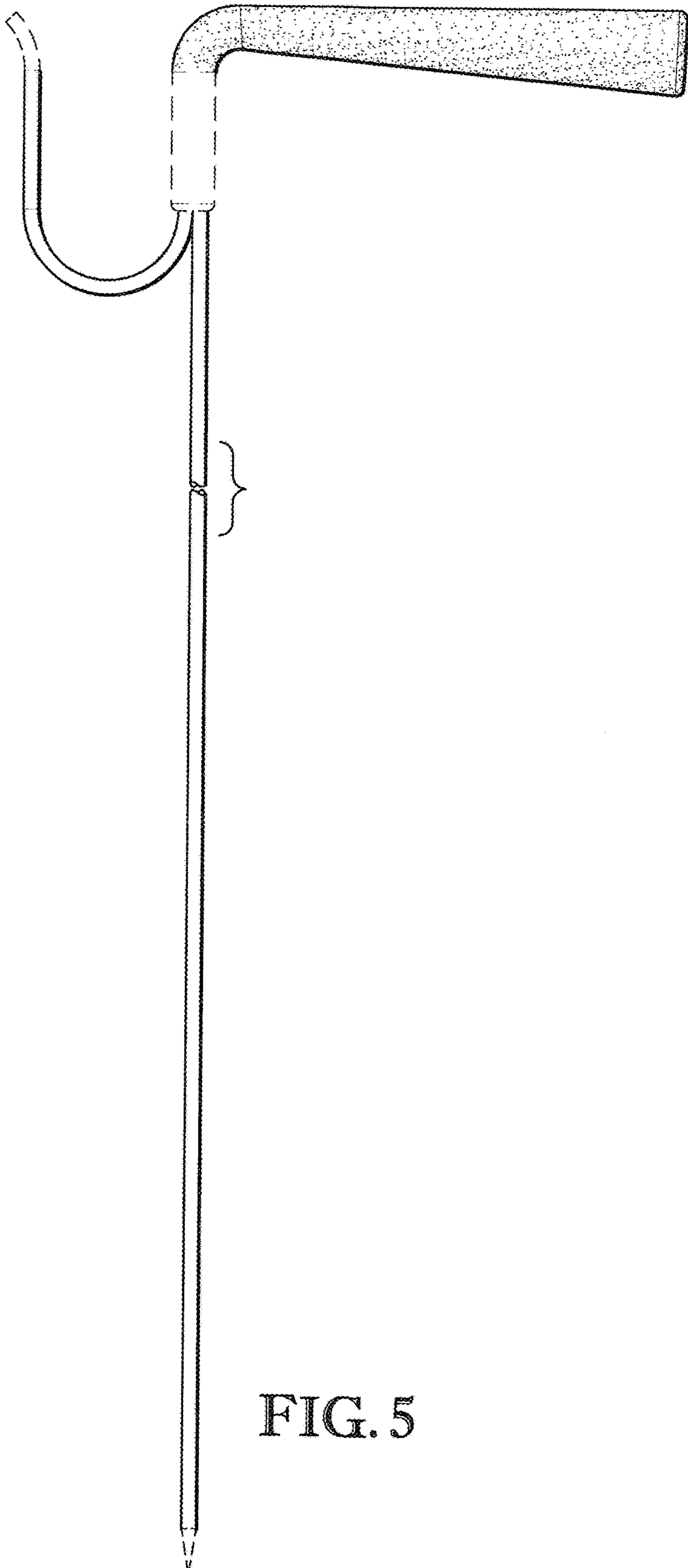


FIG. 5

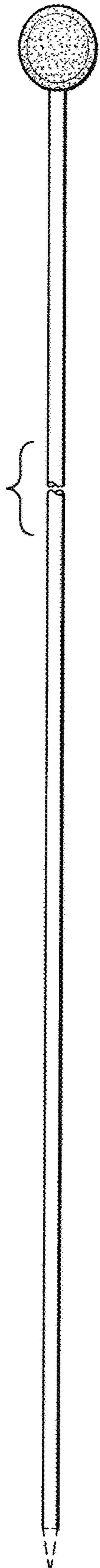


FIG. 6

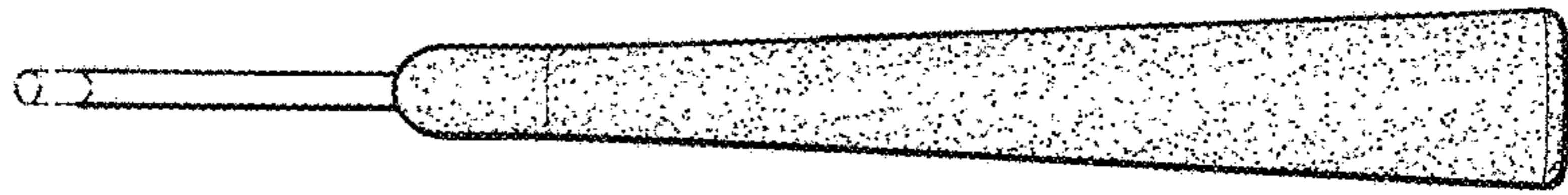


FIG. 7



FIG. 8