

US00D82888S

(12) **United States Design Patent** (10) **Patent No.:** **US D828,888 S**
Macari et al. (45) **Date of Patent:** **** Sep. 18, 2018**

(54) **GOLF CLUB CLEANING APPARATUS**
 (71) Applicant: **Macari Enterprises, Inc.**, Cumberland, RI (US)
 (72) Inventors: **Jason P. Macari**, Cumberland, RI (US);
Steve Torosian, York, ME (US);
Joshua Macari, Cumberland, RI (US)

8,708,591 B2 * 4/2014 Shepard, Jr. B08B 1/00
 401/123
 9,004,283 B1 * 4/2015 Lozano A45C 13/02
 206/315.1
 9,717,966 B1 * 8/2017 Queener A63B 57/00
 2007/0000948 A1 * 1/2007 Adler B05B 11/0037
 222/209

(73) Assignee: **MACARI ENTERPRISES, INC.**, Cumberland, RI (US)

* cited by examiner

Primary Examiner — Mitchell I. Siegel
 (74) *Attorney, Agent, or Firm* — Grossman, Tucker, Perreault & Pfeleger, PLLC

(**) Term: **15 Years**

(57) **CLAIM**

(21) Appl. No.: **29/588,485**

The ornamental design for a golf club cleaning apparatus, as shown and described.

(22) Filed: **Dec. 21, 2016**

DESCRIPTION

(51) **LOC (11) Cl.** **21-02**

(52) **U.S. Cl.**
USPC **D21/795**; D9/719

(58) **Field of Classification Search**
USPC D21/789, 795; D9/715, 719, 682-694;
D3/201, 215, 221, 254
See application file for complete search history.

FIG. 1 is a perspective view of a golf club cleaning apparatus of the present invention;
 FIG. 2 is a front view of the golf club cleaning apparatus shown in FIG. 1;
 FIG. 3 is a back view of the golf club cleaning apparatus shown in FIG. 1;
 FIG. 4 is a side view of the golf club cleaning apparatus shown in FIG. 1;
 FIG. 5 is a top end view of the golf club cleaning apparatus shown in FIG. 1; and,
 FIG. 6 is a bottom end view of the golf club cleaning apparatus shown in FIG. 1.

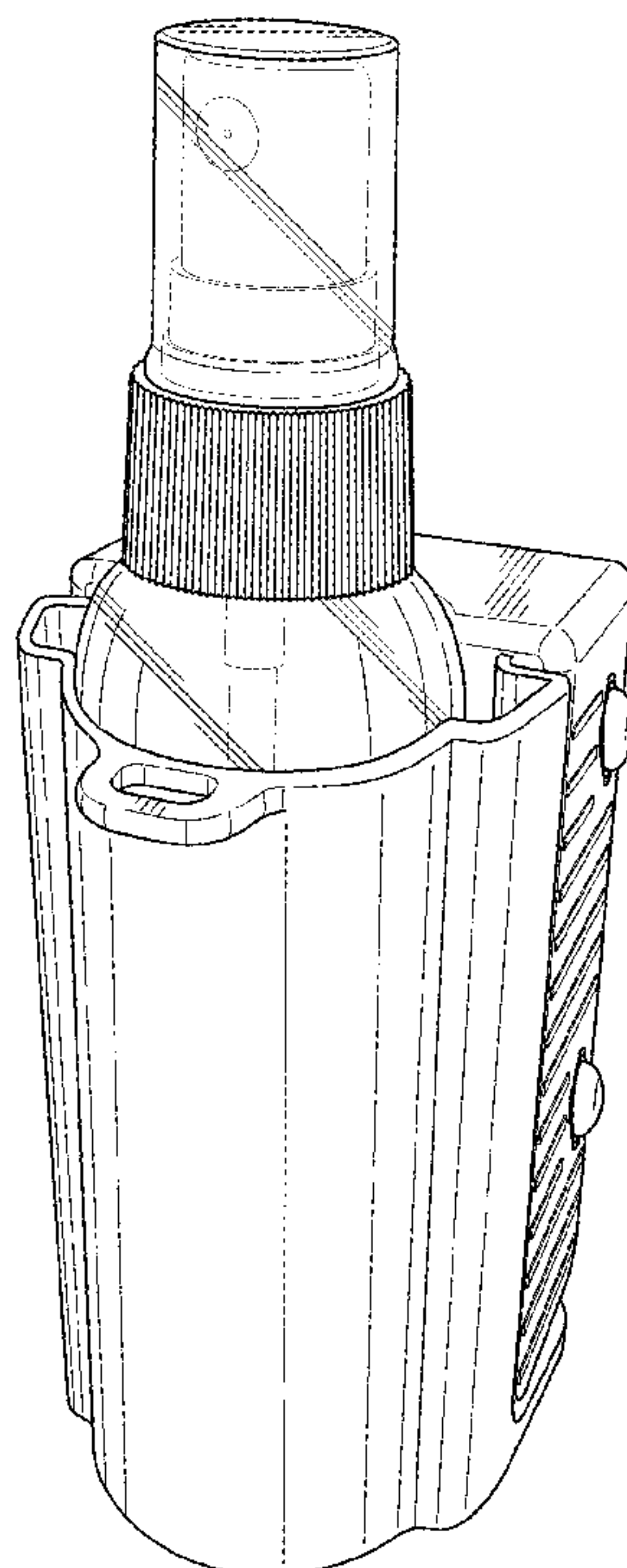
(56) **References Cited**

U.S. PATENT DOCUMENTS

5,392,975 A * 2/1995 Blankenship, Jr. B05B 9/08
 206/317
 D384,811 S * 10/1997 Whiteman D22/125
 D434,645 S * 12/2000 Adachi D9/694
 D508,208 S * 8/2005 Ozaki D9/688
 D572,333 S * 7/2008 Heap D21/795
 D585,760 S * 2/2009 Cheng D9/682

Any broken lines that are included are for the purpose of illustrating the unclaimed portions of the article and form no part of the claim.

1 Claim, 5 Drawing Sheets



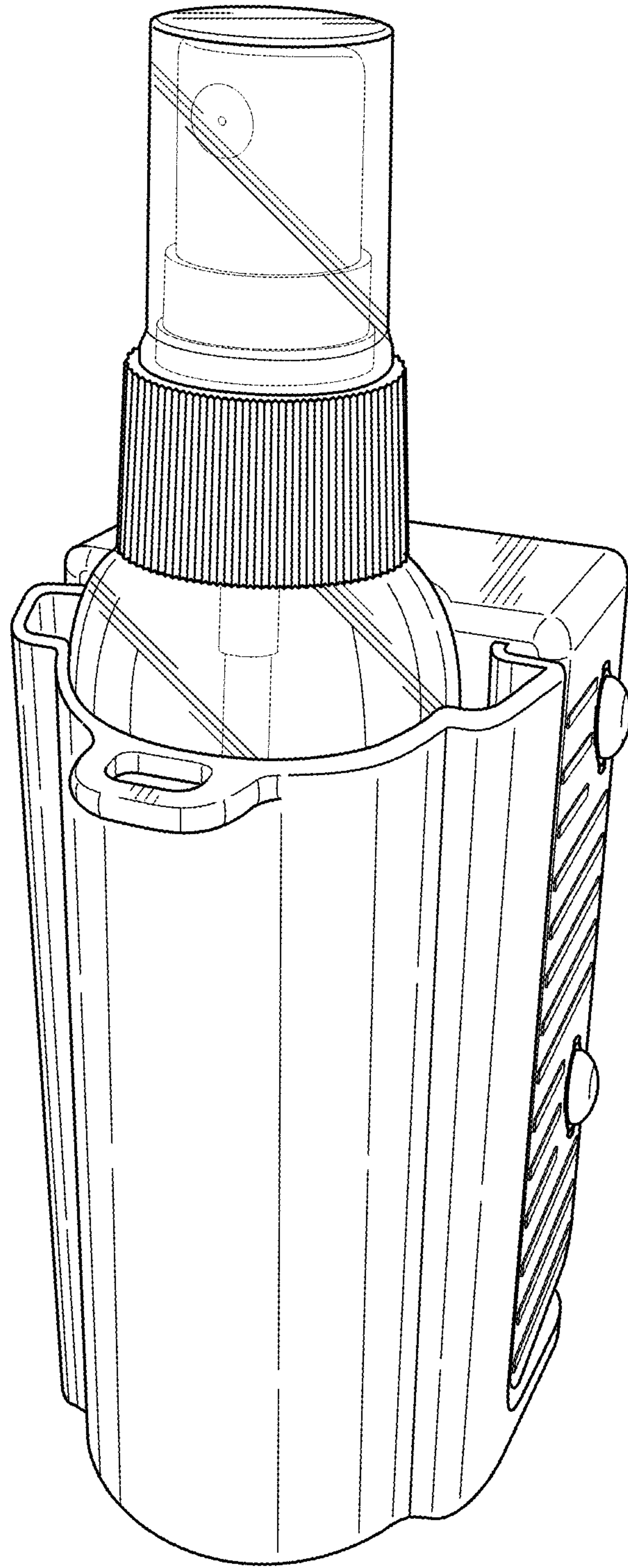


FIG. 1

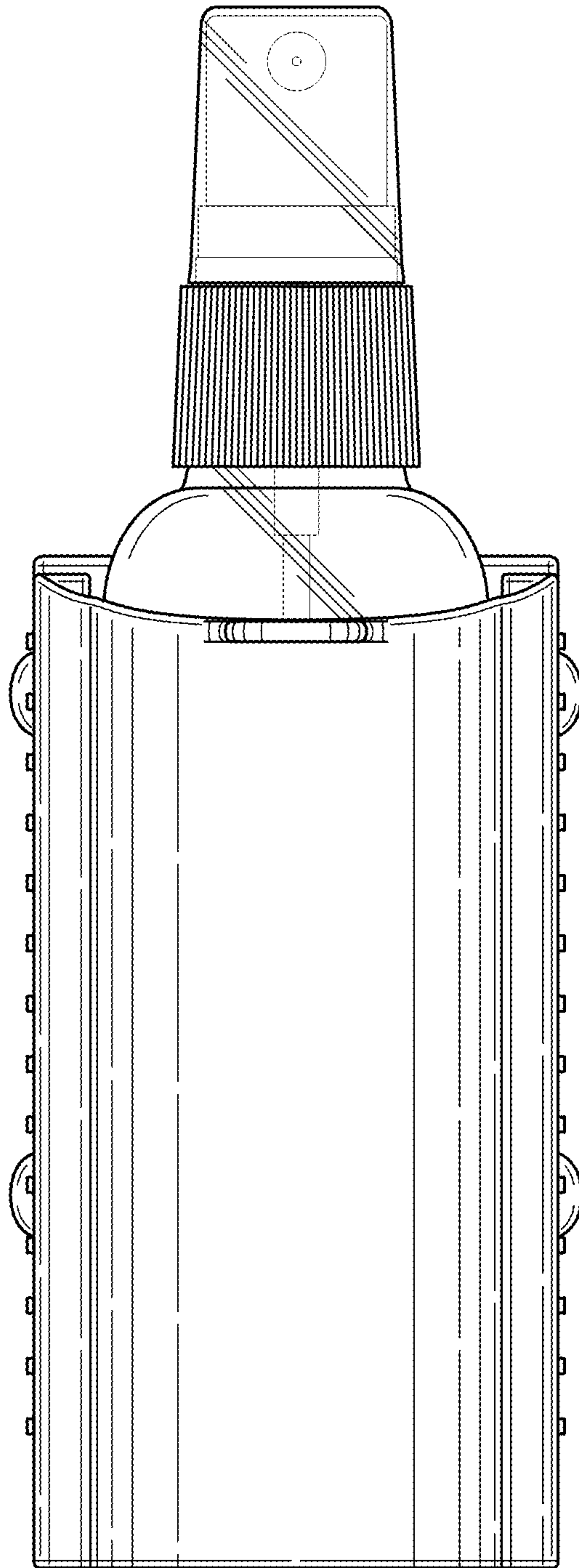


FIG. 2

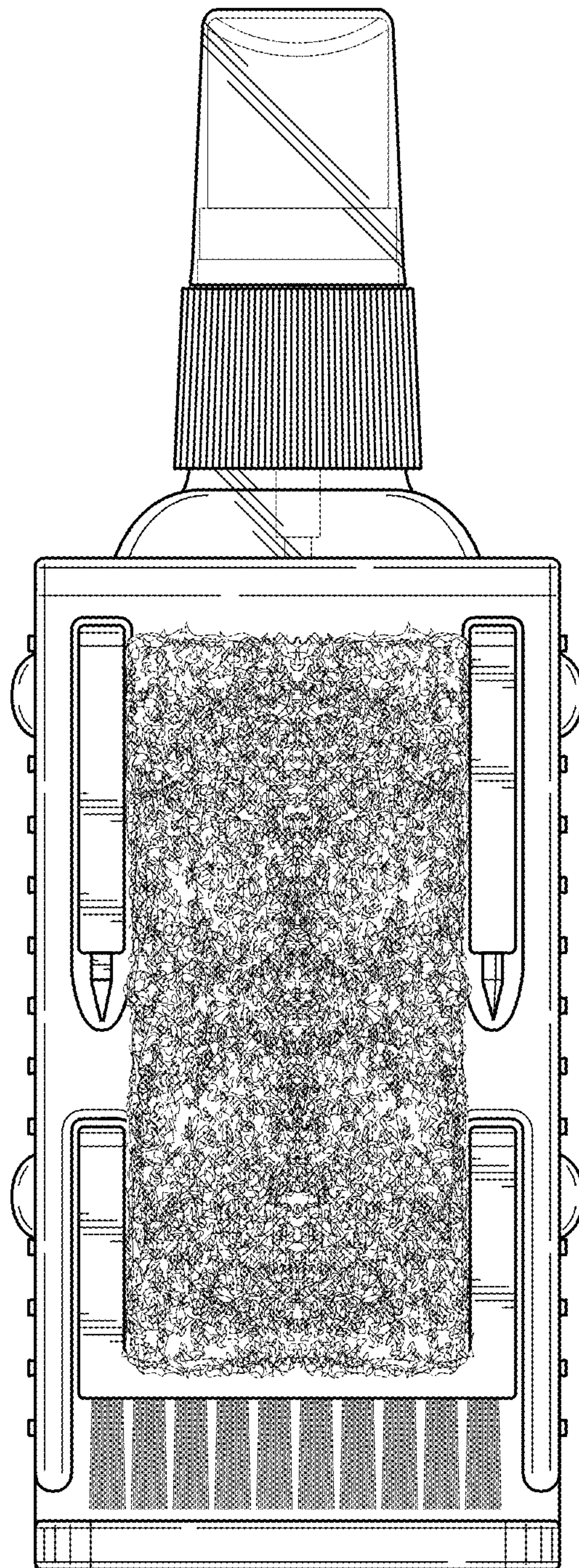


FIG. 3

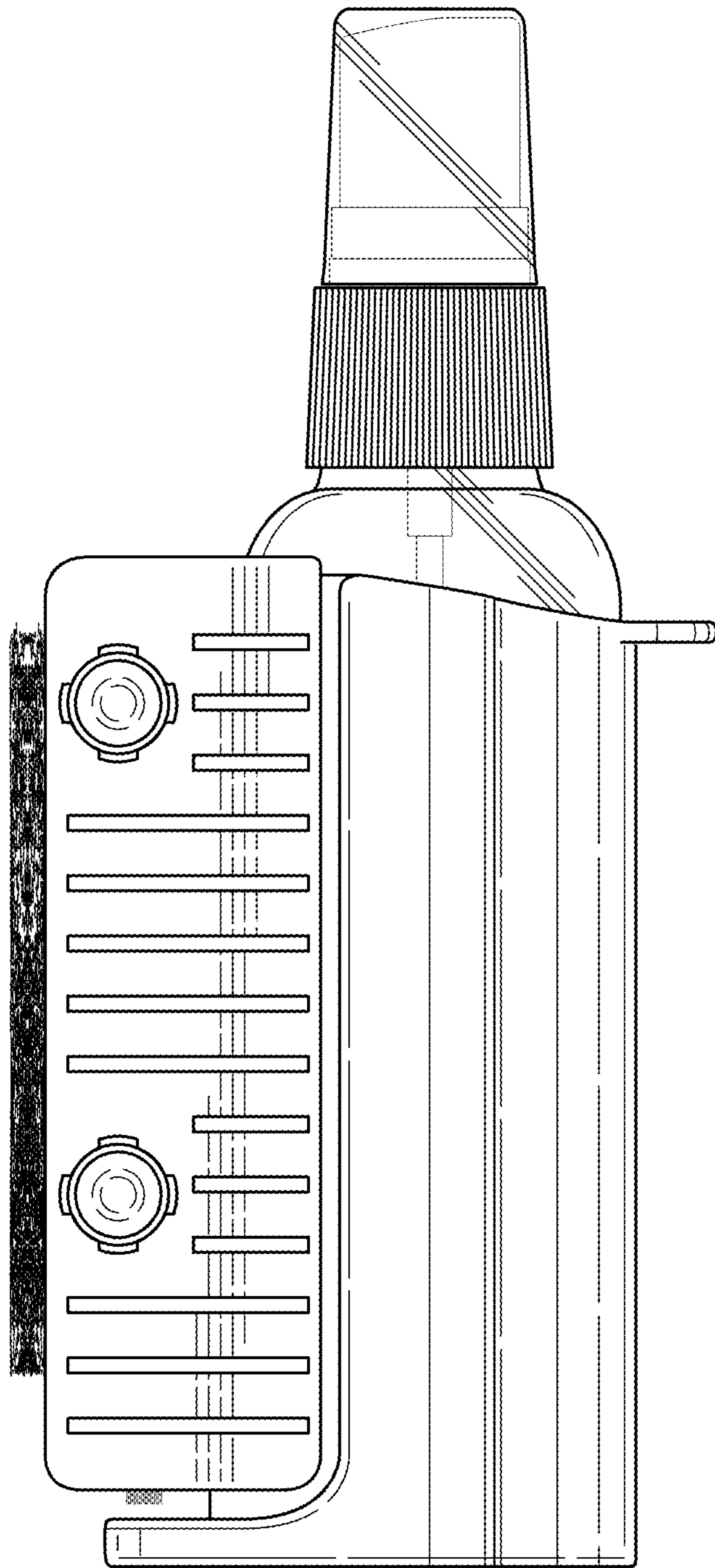


FIG. 4

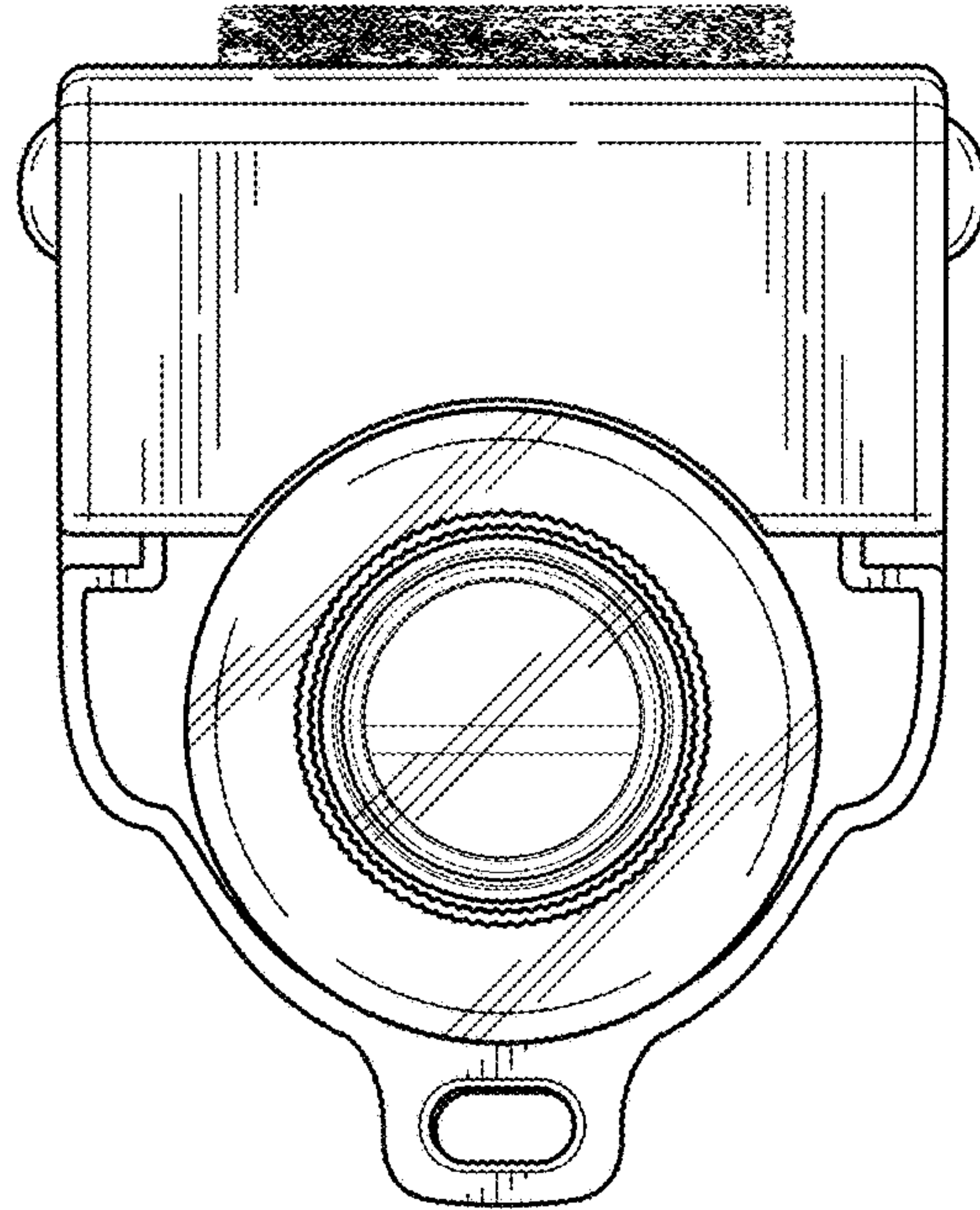


FIG. 5

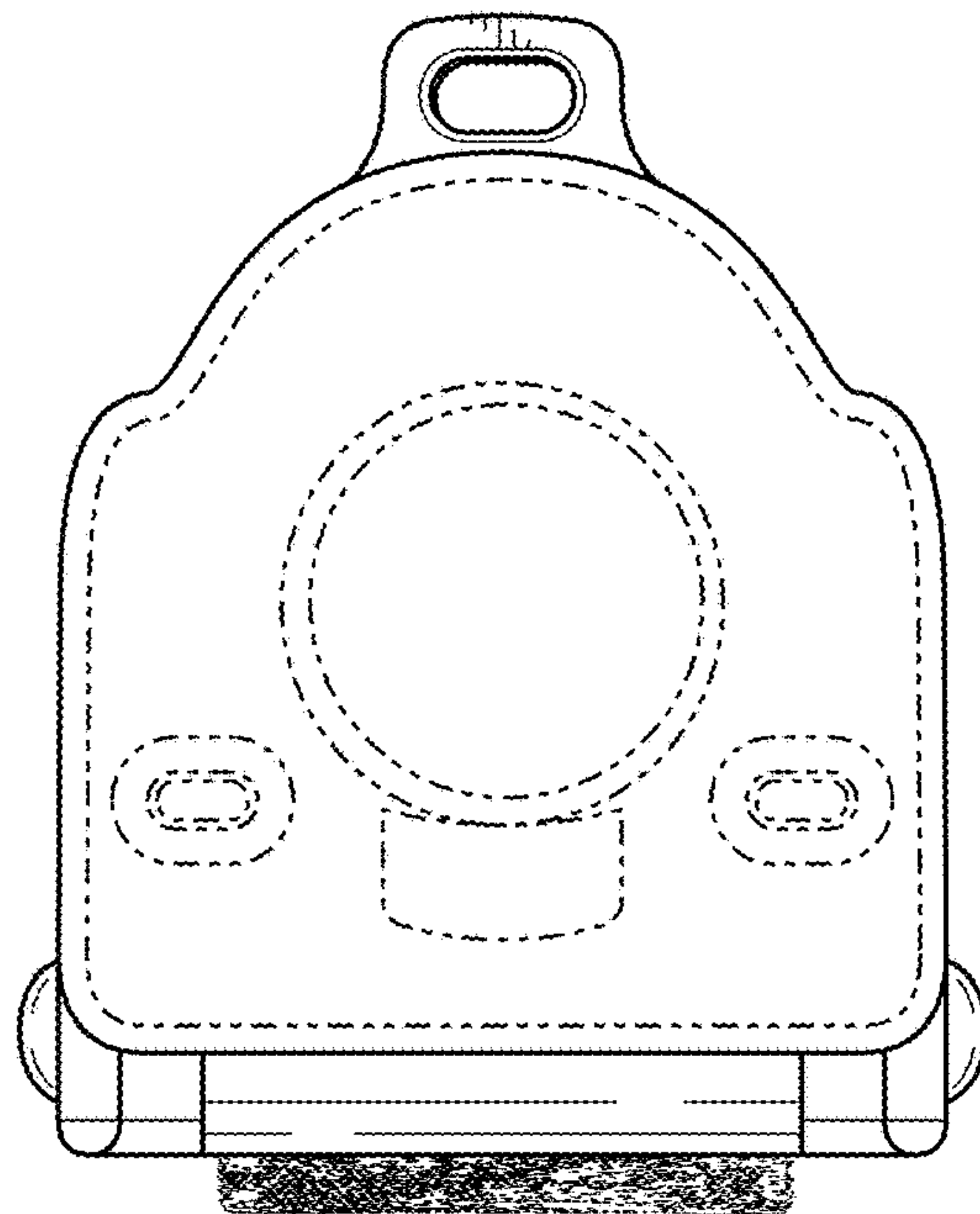


FIG. 6