



US00D828886S

(12) **United States Design Patent**
Fallon

(10) **Patent No.:** **US D828,886 S**

(45) **Date of Patent:** **** Sep. 18, 2018**

- (54) **DIVOT REPAIR TOOL**
- (71) Applicant: **Sandgroup International Ltd.**, Hong Kong (HK)
- (72) Inventor: **Conor Fallon**, Co Kildare (IE)
- (73) Assignee: **Sandgroup International Ltd.**, Kwai Chung (HK)
- (**) Term: **15 Years**
- (21) Appl. No.: **29/602,000**
- (22) Filed: **Apr. 27, 2017**
- (51) **LOC (11) Cl.** **21-02**
- (52) **U.S. Cl.**
USPC **D21/793**
- (58) **Field of Classification Search**
USPC D21/789, 793-794
CPC . A63B 57/00; A63B 57/0037; A63B 57/0032;
A63B 57/50; A63B 57/12; A63B 57/16;
A63B 57/20; A63B 57/30; A63B 57/35
See application file for complete search history.

- 5,449,169 A * 9/1995 Hardin A63B 57/50
473/408
- D369,637 S * 5/1996 Digerness D21/793
- 5,562,553 A * 10/1996 Digerness A63B 57/50
473/406
- D375,815 S 11/1996 Kagasoff
- D391,318 S 2/1998 Shah
- D399,597 S 10/1998 Craven
- D401,379 S 11/1998 Goldoftas
- 6,030,298 A 2/2000 Tate
- 6,050,905 A 4/2000 Tate
- D424,151 S 5/2000 Miura
- 6,162,137 A * 12/2000 Jones A24F 13/26
30/109
- 6,224,502 B1 5/2001 Warfield
- 6,244,356 B1 6/2001 Luna
- 6,413,174 B1 7/2002 Roberts
- 6,428,430 B1 8/2002 Chong
- D471,944 S * 3/2003 Freitas D21/793

(Continued)

Primary Examiner — Mitchell I. Siegel

(74) *Attorney, Agent, or Firm* — Jason T. Daniel, Esq.;
Daniel Law Offices, P.A.

(57) **CLAIM**

The ornamental design for a divot repair tool, as shown and described.

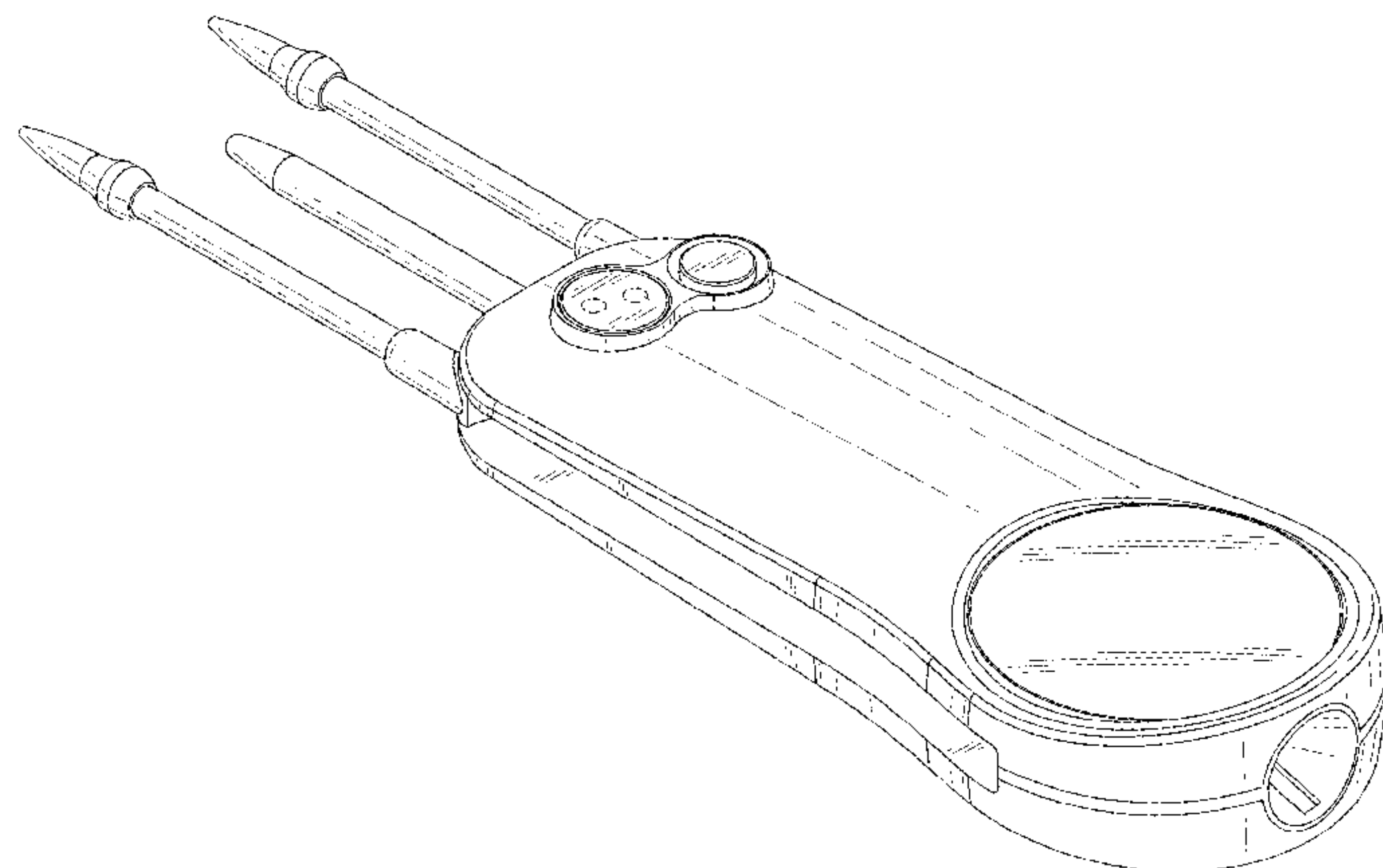
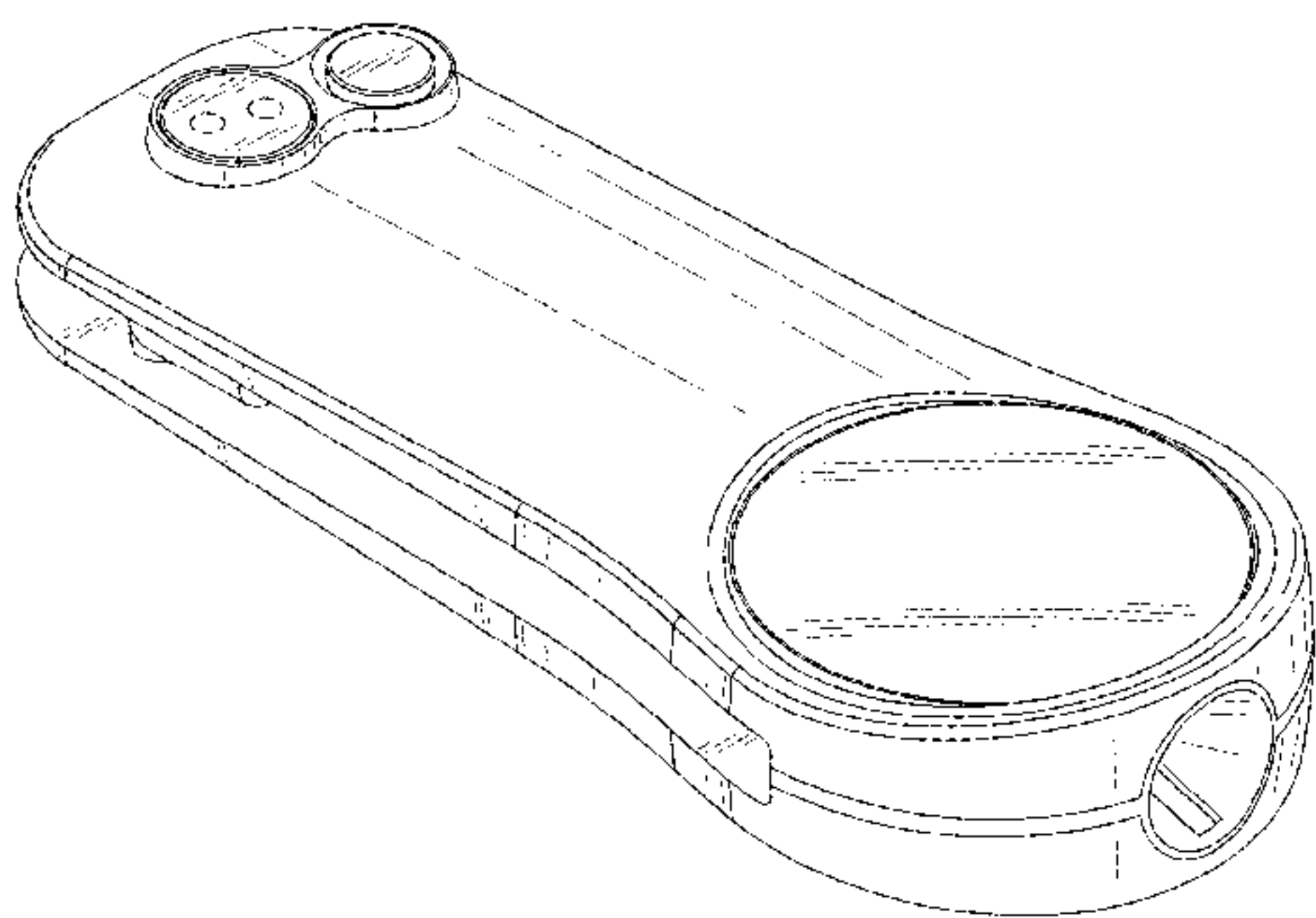
DESCRIPTION

FIG. 1 is a front perspective view thereof in a closed position,
FIG. 2 is a front side elevational view thereof,
FIG. 3 is a back side elevational view thereof,
FIG. 4 is a left side elevational view thereof,
FIG. 5 is a right side elevational view thereof,
FIG. 6 is a top side elevational view thereof,
FIG. 7 is a bottom side elevational view thereof; and,
FIG. 8 is a front perspective view thereof in an open position.

1 Claim, 4 Drawing Sheets

(56) **References Cited**
U.S. PATENT DOCUMENTS

- 3,415,518 A 12/1968 Root
- 3,539,017 A 11/1970 Johnson
- 3,763,515 A 10/1973 Voss
- 4,925,190 A 5/1990 Learned
- 4,984,790 A 1/1991 Dowdy
- 5,022,650 A 6/1991 Madock
- 5,211,395 A 5/1993 Liao
- 5,226,647 A 7/1993 Notarmuzi
- 5,277,425 A 1/1994 Petriano, Sr.
- 5,305,999 A 4/1994 Tate
- 5,405,133 A * 4/1995 Upton A63B 57/50
172/378
- D361,815 S * 8/1995 Fazekas D21/793



(56)

References Cited

U.S. PATENT DOCUMENTS

6,800,042 B2 *	10/2004	Braithwaite	A63B 57/207	D700,262 S *	2/2014	Zwart	D21/793
				473/406	D700,263 S *	2/2014	Zwart	D21/793
D500,828 S *	1/2005	Pace	D21/793	D719,232 S	12/2014	Wallander		
6,837,807 B1 *	1/2005	Kerr	A63B 57/50	8,920,265 B1	12/2014	Jones		
				473/286	9,381,412 B2	7/2016	Fallon		
D513,632 S *	1/2006	Sokolowski	D21/793	2002/0183138 A1	12/2002	Malcolm		
D534,982 S	1/2007	Miller			2004/0219997 A1	11/2004	Champion		
D553,705 S	10/2007	Barouh			2005/0070380 A1	3/2005	Miller		
D570,946 S *	6/2008	Oas	D21/793	2006/0247075 A1	11/2006	Dymling		
7,527,563 B1	5/2009	Neu			2007/0298900 A1	12/2007	Johnson		
7,621,819 B1	11/2009	Neu			2008/0135444 A1	6/2008	Malcolm		
D651,272 S *	12/2011	Corcoran	D21/793	2008/0268985 A1	10/2008	Wiens		
D669,148 S *	10/2012	Dalton	B25C 7/00	2009/0098952 A1	4/2009	Leiber		
				D21/793	2010/0022330 A1	1/2010	Rouke		
D669,952 S *	10/2012	Zwart	D21/793	2010/0099519 A1	4/2010	Leiber		
D699,804 S *	2/2014	Zwart	D21/793	2011/0081994 A1	4/2011	Rouke		
					2016/0121179 A1	5/2016	Zwart		
					2016/0193513 A1	7/2016	Fallon		

* cited by examiner

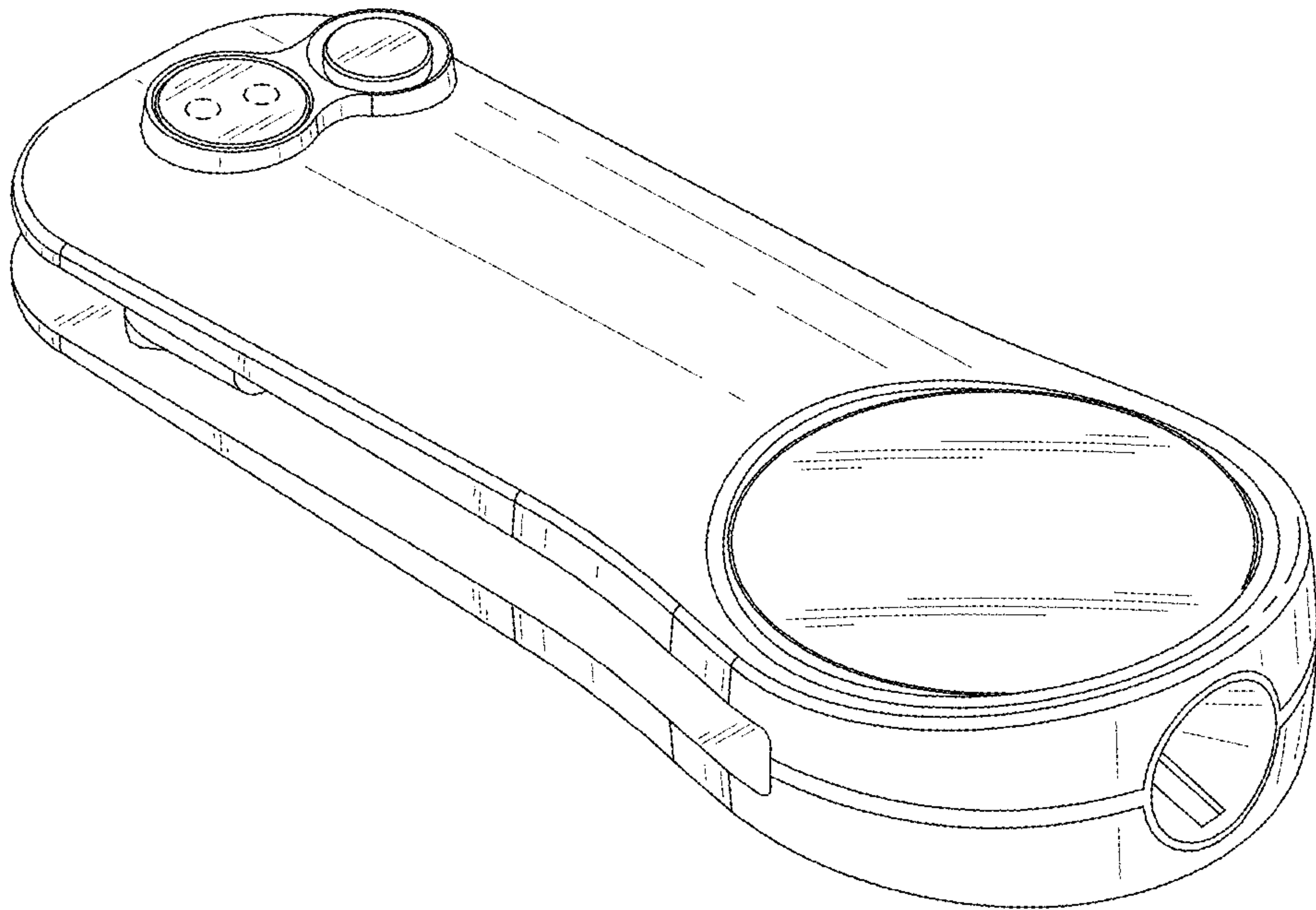


FIG. 1

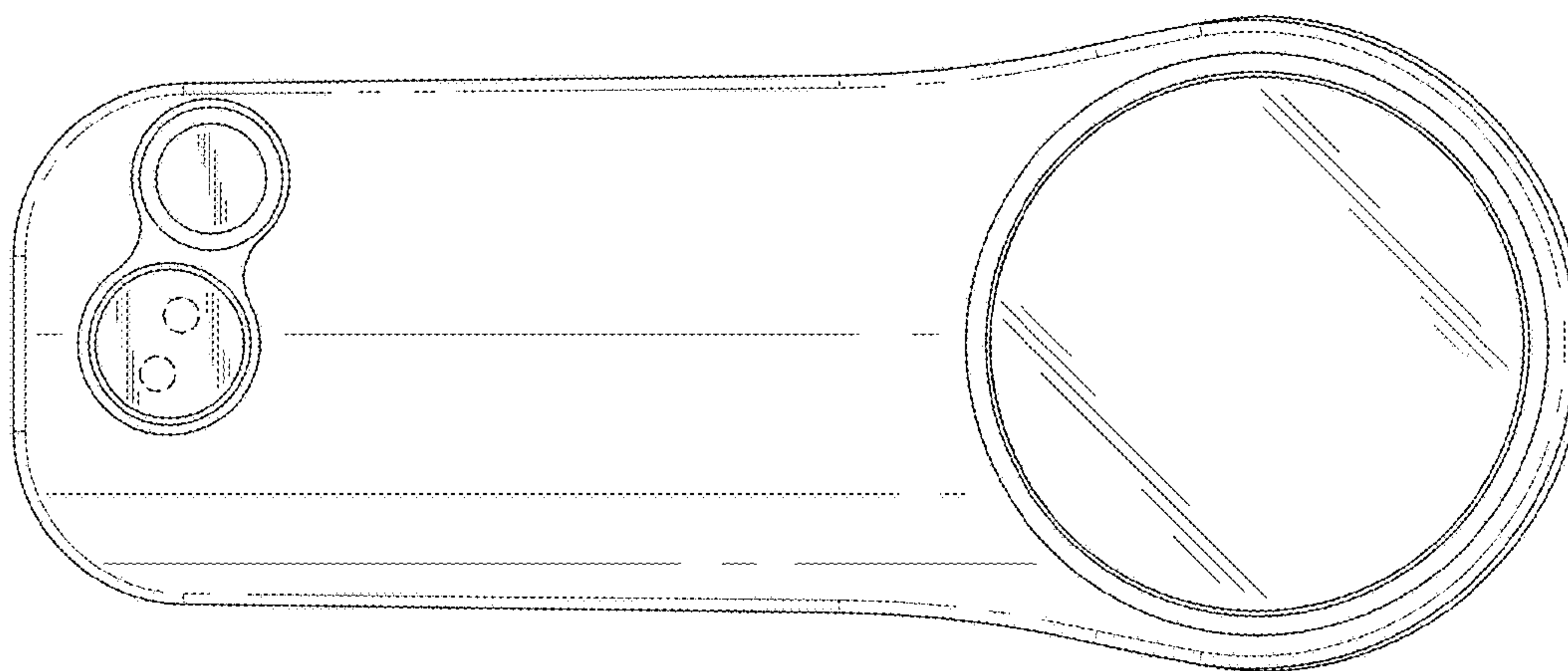


FIG. 2

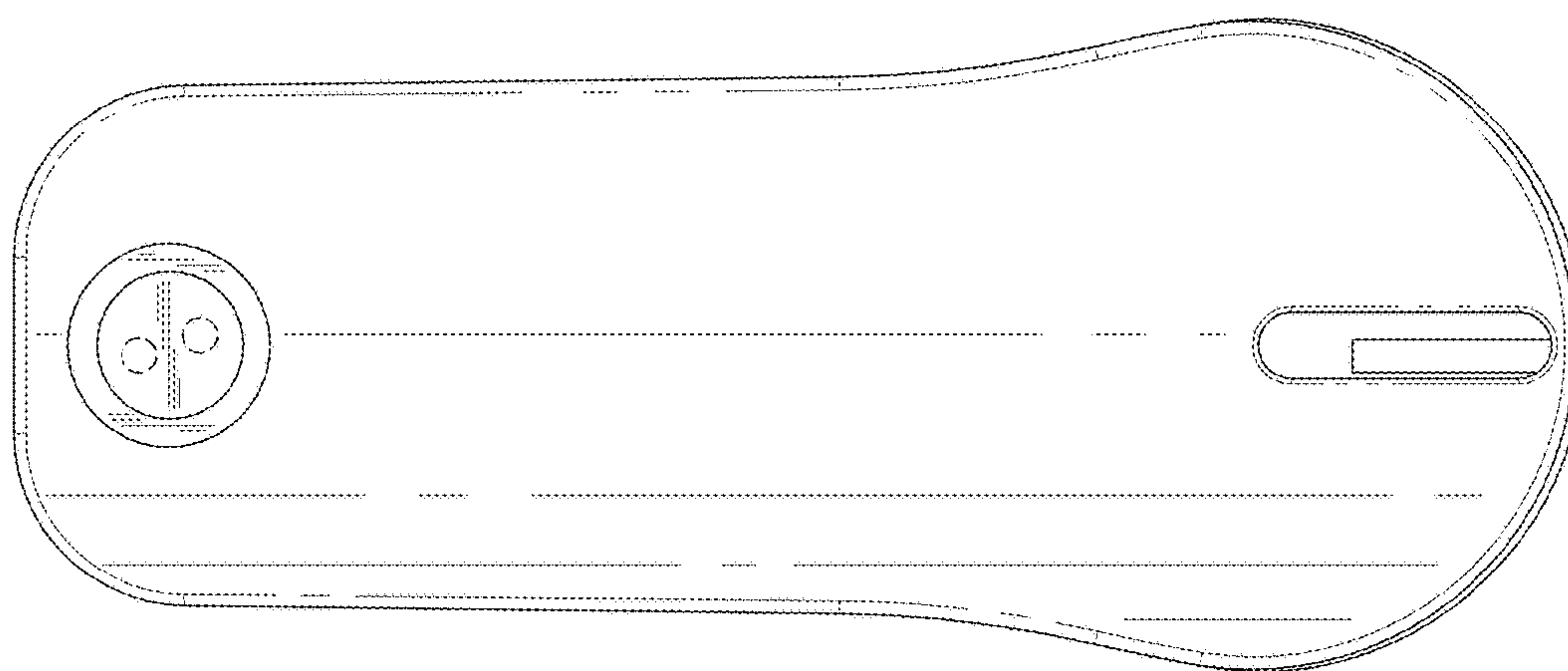


FIG. 3

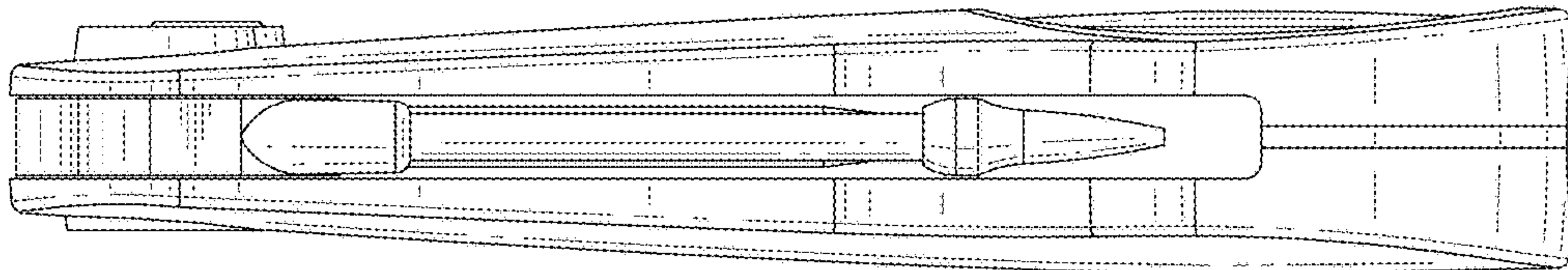


FIG. 4

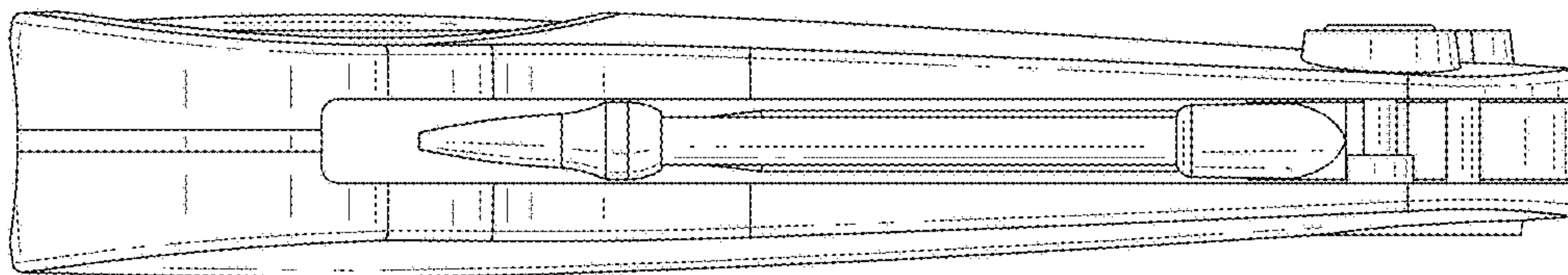


FIG. 5

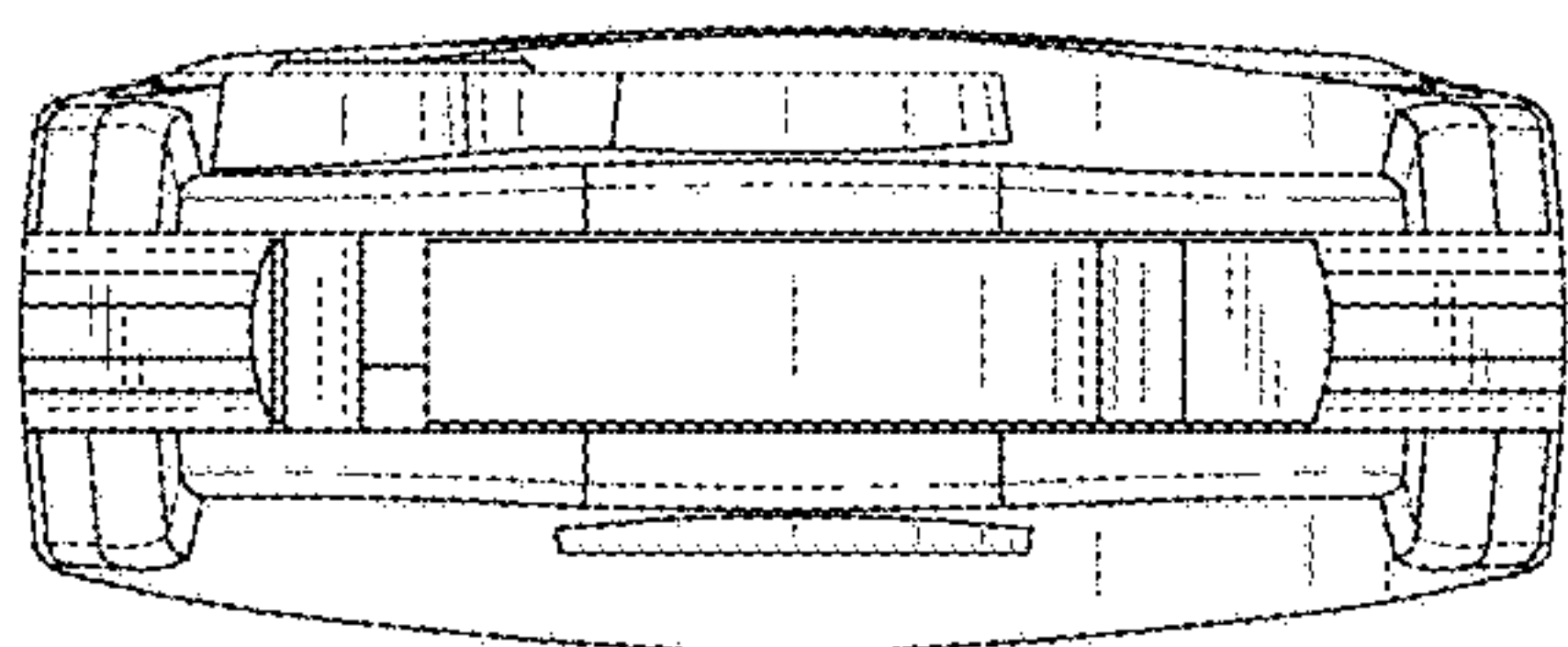


FIG. 6

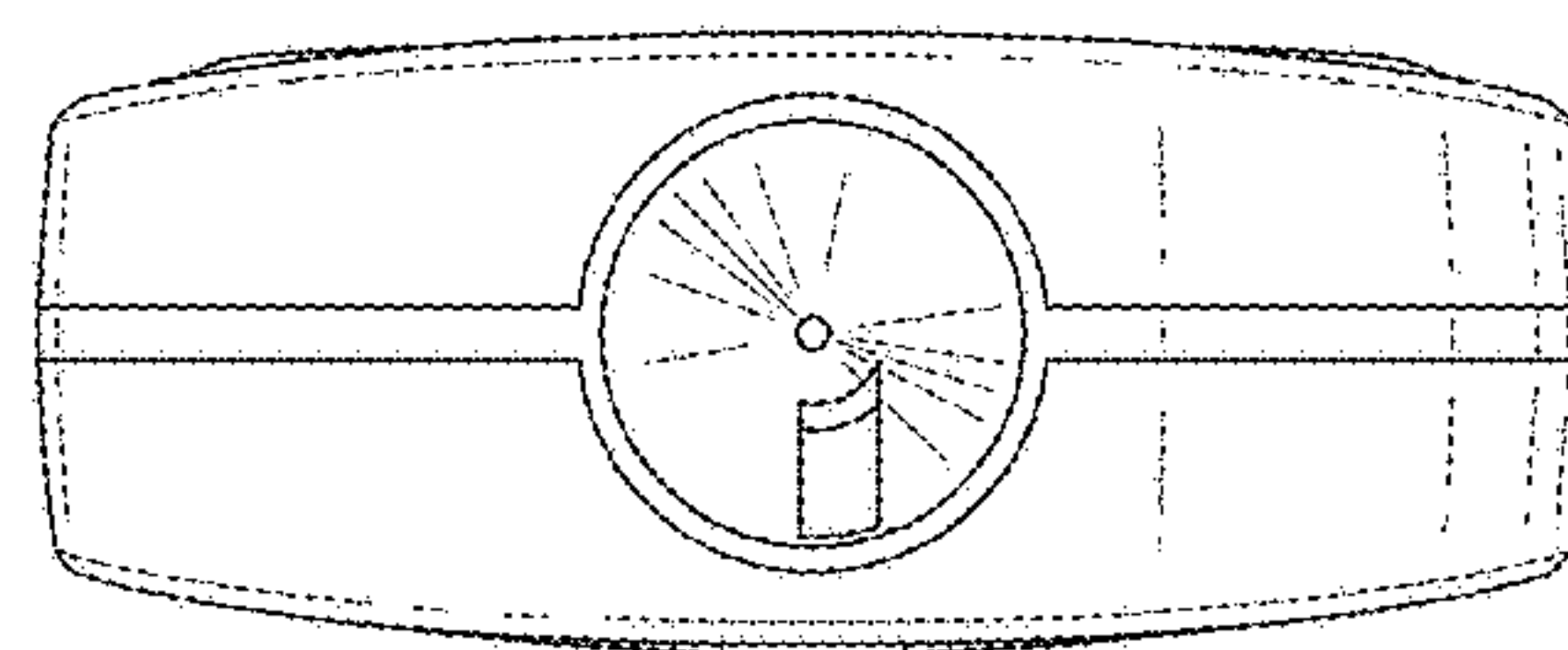


FIG. 7

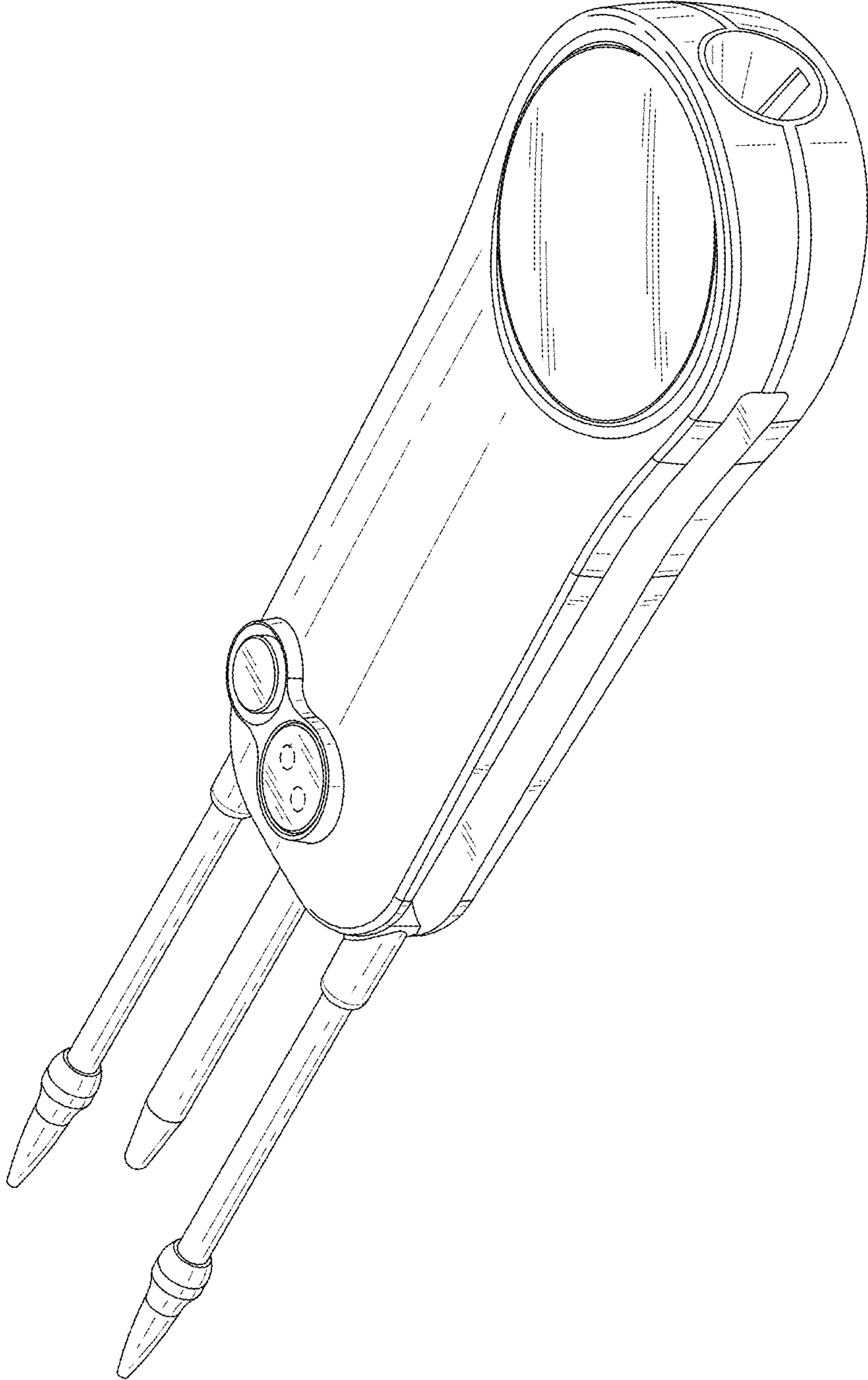


FIG. 8