



US00D828885S

(12) **United States Design Patent**
Liu

(10) **Patent No.:** **US D828,885 S**

(45) **Date of Patent:** **** Sep. 18, 2018**

(54) **SKATEBOARD**

(71) Applicant: **Youhui Liu, Ji An (CN)**

(72) Inventor: **Youhui Liu, Ji An (CN)**

(**) Term: **15 Years**

(21) Appl. No.: **29/585,468**

(22) Filed: **Nov. 23, 2016**

(30) **Foreign Application Priority Data**

Jul. 29, 2016 (CN) 2016 3 0355749

(51) **LOC (11) Cl.** **21-02**

(52) **U.S. Cl.**
USPC **D21/765**

(58) **Field of Classification Search**
USPC D21/419, 421, 423, 426, 662, 760, 765,
D21/766, 769, 771, 776, 803; D12/1;
280/7.14, 11.115, 11.19, 11.27, 87.042,
280/610; 434/247, 253, 258; D34/23,
D34/28; 180/181
CPC A63C 17/01; A63C 17/011; A63C 17/012;
A63C 17/014; A63C 17/015; A63C
17/02; A63C 17/26; A63C 5/003; B60Q
1/326; B62K 3/001

See application file for complete search history.

(56) **References Cited**

U.S. PATENT DOCUMENTS

4,337,963 A * 7/1982 Stevenson A63C 17/017
280/610
D444,185 S * 6/2001 Stewart D21/423

D692,079 S * 10/2013 Mackay D21/765
D709,154 S * 7/2014 Brotherson D21/765
D723,642 S * 3/2015 Fissell D21/765
D728,048 S * 4/2015 Stover D21/765
D745,617 S * 12/2015 Jensen D21/765
9,675,868 B2 * 6/2017 Willis A63C 17/017

* cited by examiner

Primary Examiner — Robin V Webster

Assistant Examiner — Keith J Wilson

(74) *Attorney, Agent, or Firm* — Wayne & King LLC

(57) **CLAIM**

The ornamental design for a skateboard, as shown and described.

DESCRIPTION

FIG. 1 is perspective view of a skateboard showing my new design;

FIG. 2 is a front view thereof;

FIG. 3 is a back view thereof;

FIG. 4 is a left side thereof;

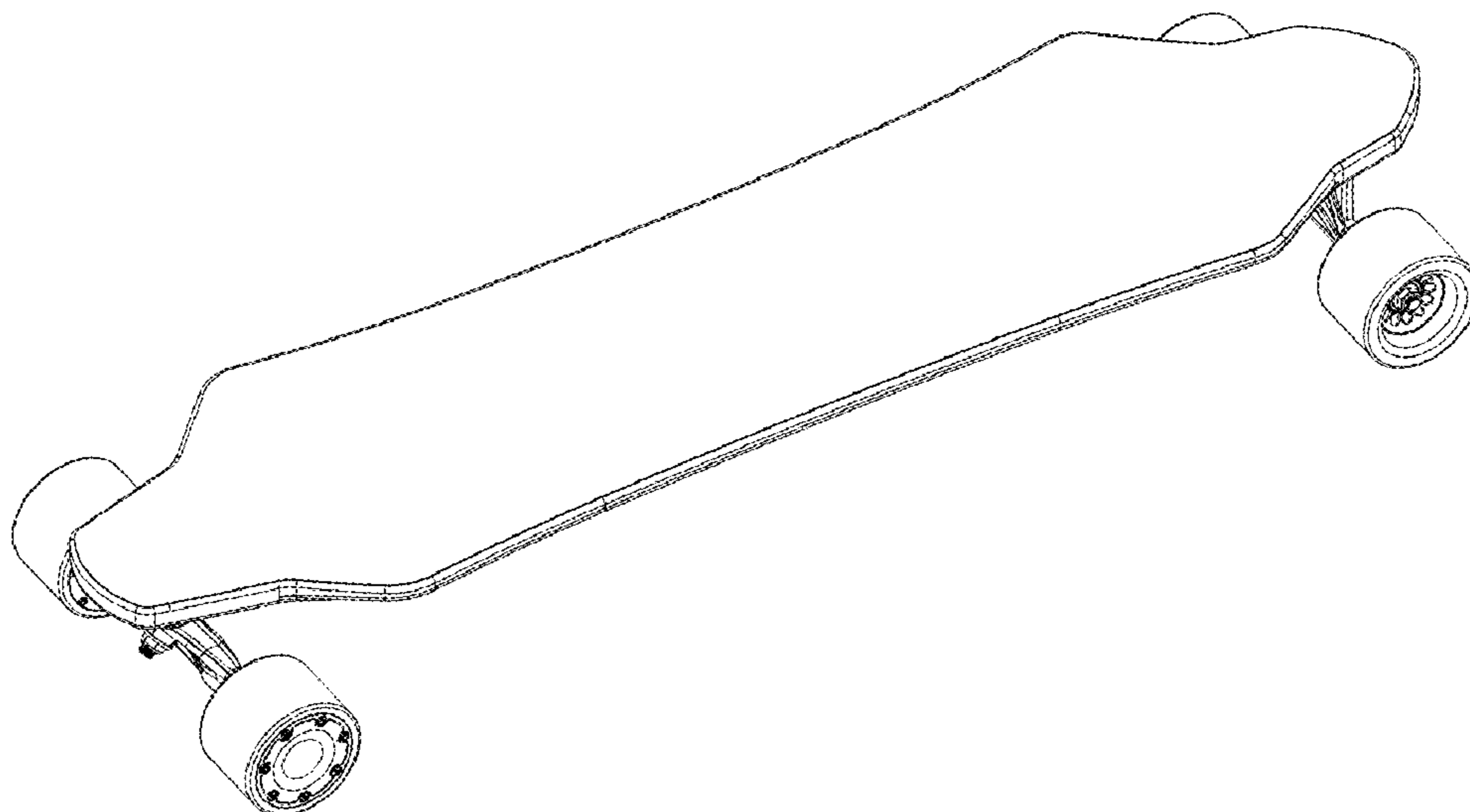
FIG. 5 is a right side thereof;

FIG. 6 is a top plan view thereof; and,

FIG. 7 is a bottom plan view thereof.

The portions of the article shown in broken lines form no part of the claimed design.

1 Claim, 7 Drawing Sheets



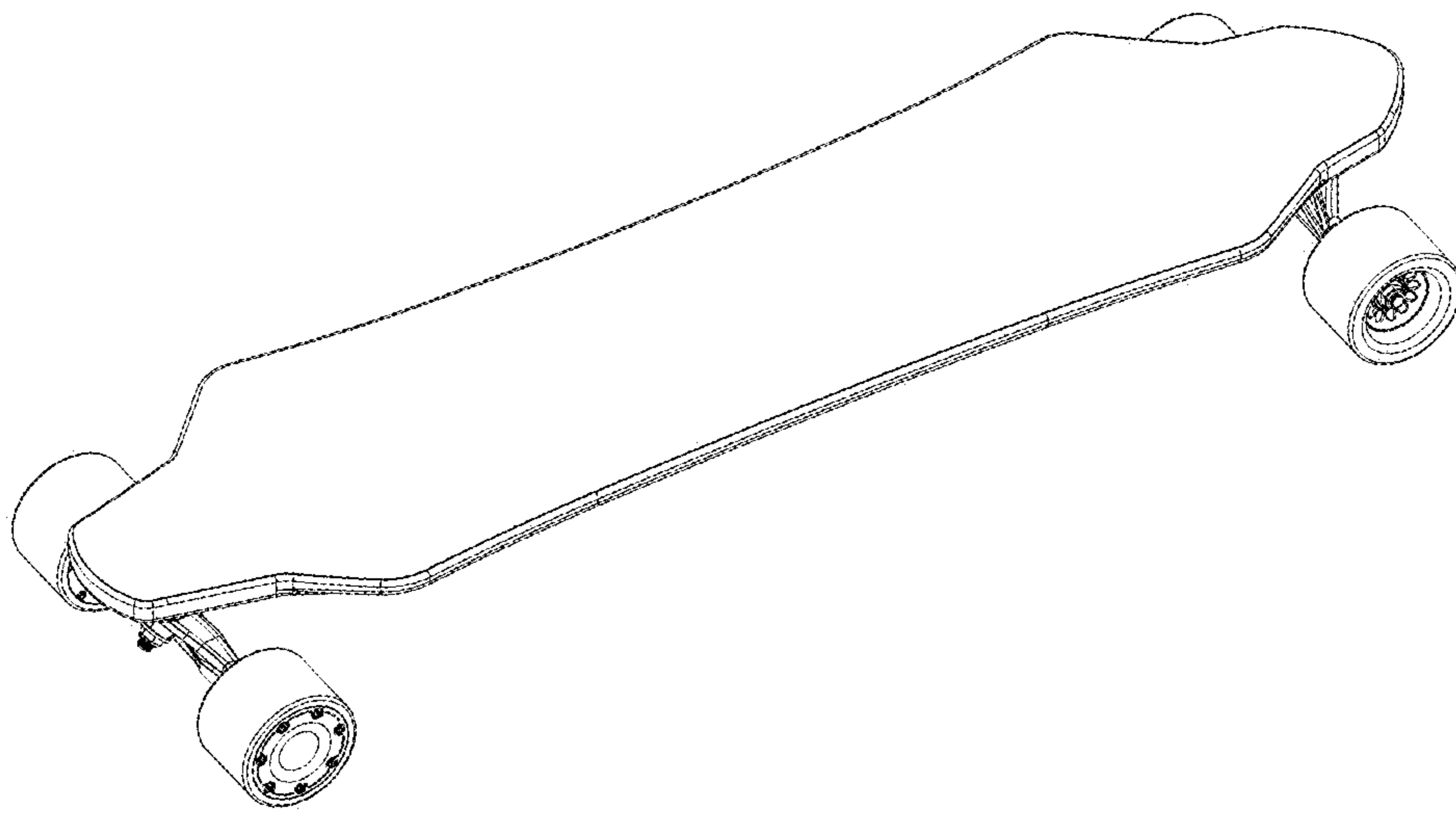


FIG. 1

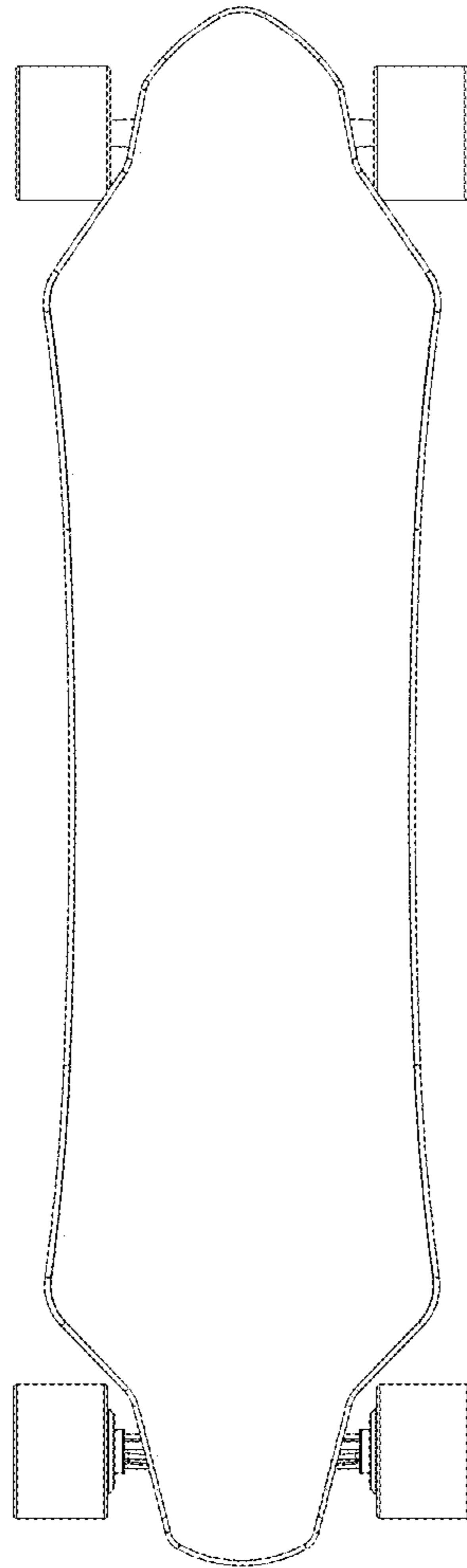


FIG. 2

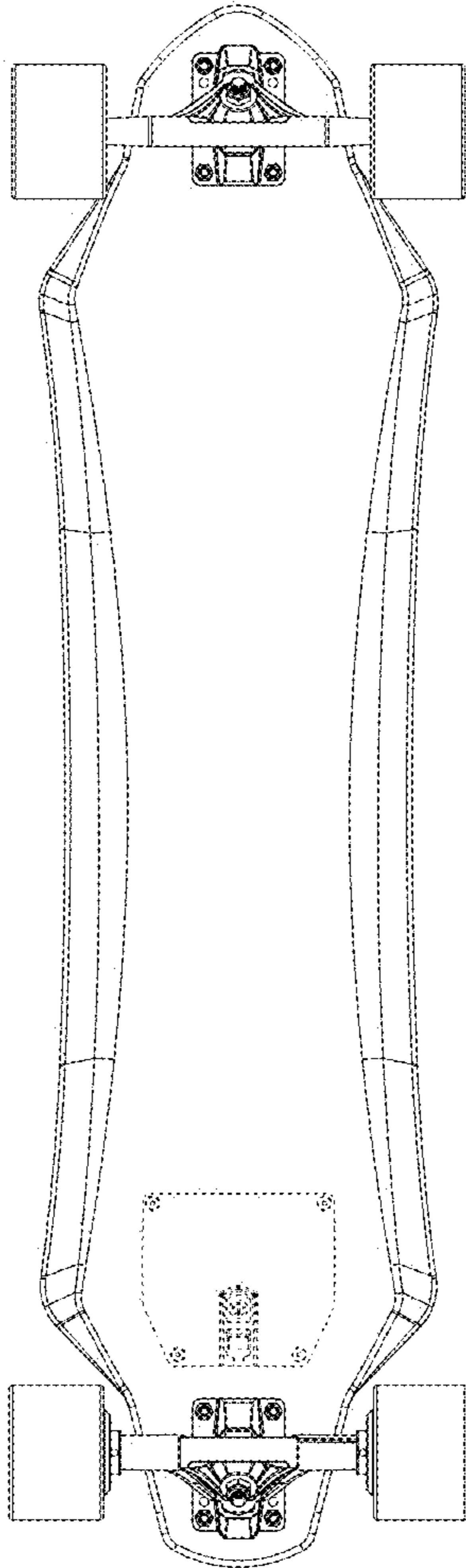


FIG. 3



FIG.4

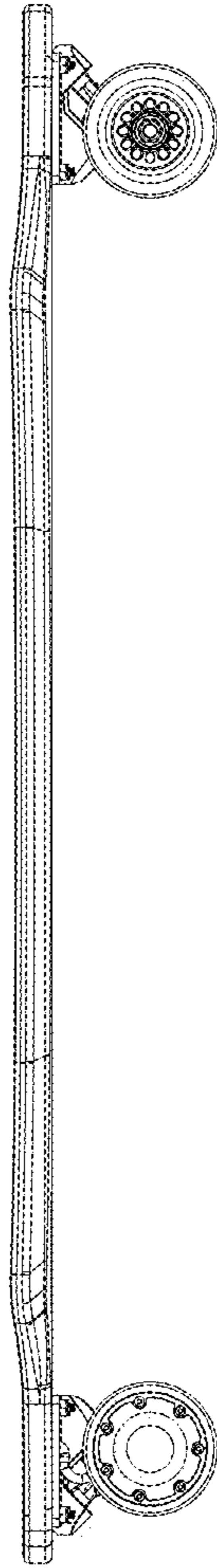


FIG.5

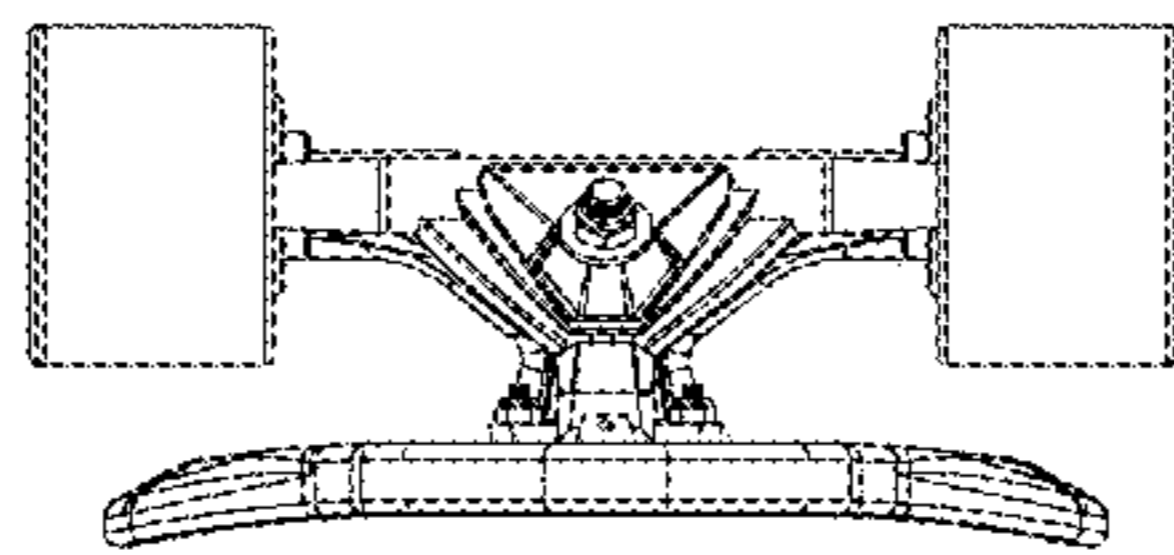


FIG.6

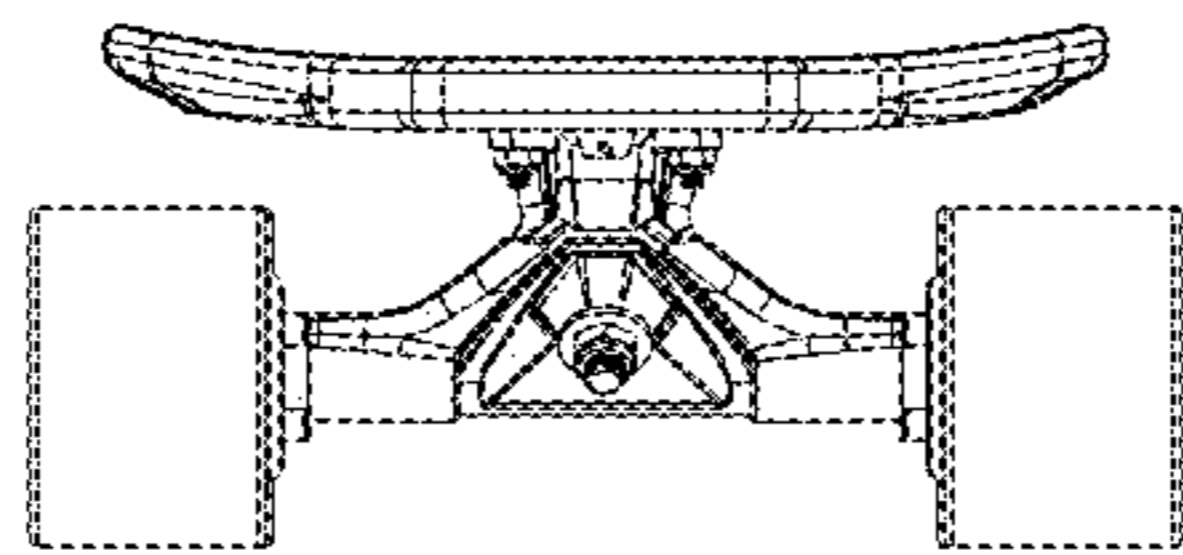


FIG.7