



US00D828883S

(12) **United States Design Patent** (10) **Patent No.:** **US D828,883 S**
Volpis (45) **Date of Patent:** **** *Sep. 18, 2018**

(54) **SPORTS APPARATUS**

(71) Applicant: **Paolo Volpis**, Beverly Hills, CA (US)

(72) Inventor: **Paolo Volpis**, Beverly Hills, CA (US)

(73) Assignee: **Paolo Volpis**, Los Angeles, CA (US)

(*) Notice: This patent is subject to a terminal disclaimer.

(**) Term: **15 Years**

(21) Appl. No.: **29/547,048**

(22) Filed: **Dec. 1, 2015**

(51) **LOC (11) Cl.** **21-02**

(52) **U.S. Cl.**
USPC **D21/753**

(58) **Field of Classification Search**
USPC **D21/789, 725-732, 753**

(Continued)

(56) **References Cited**

U.S. PATENT DOCUMENTS

3,086,777 A * 4/1963 Lacoste A63B 49/12
473/540
3,521,883 A * 7/1970 Hamilton A63B 59/50
473/437

(Continued)

Primary Examiner — Mitchell I. Siegel

(57) **CLAIM**

The ornamental design for a sports apparatus, substantially as shown and described.

DESCRIPTION

FIG. 1 is a top plan view of the sports apparatus according to the embodiments;

FIG. 2 is a bottom plan view thereof;

FIG. 3 is a front elevational view thereof;

FIG. 4 is a right side elevational view thereof;

FIG. 5 is a left side elevational view thereof;

FIG. 6 is a rear elevational view thereof;

FIG. 7 is a top and front perspective view thereof;

FIG. 8 is a top and right side perspective view thereof;

FIG. 9 is a top and left side perspective view thereof;

FIG. 10 is a top and rear perspective view thereof;

FIG. 11 is a bottom and front perspective view thereof;

FIG. 12 is a bottom and right side perspective view thereof;

FIG. 13 is a bottom and left side perspective view thereof;

FIG. 14 is a bottom and rear perspective view thereof;

FIG. 15 is a front elevational view of a second embodiment of the sports apparatus of FIG. 1;

FIG. 16 is a right side elevational view of FIG. 15;

FIG. 17 is a left side elevational view of FIG. 15;

FIG. 18 is a rear elevational view of FIG. 15;

FIG. 19 is a top and front perspective view of FIG. 15;

FIG. 20 is a top and right side perspective view of FIG. 15;

FIG. 21 is a top and left side perspective view of FIG. 15;

FIG. 22 is a top and rear perspective view of FIG. 15;

FIG. 23 is a front elevational view of a third embodiment of the sports apparatus of FIG. 1;

FIG. 24 is a right side elevational view of FIG. 23;

FIG. 25 is a left side elevational view of FIG. 23;

FIG. 26 is a rear elevational view of FIG. 23;

FIG. 27 is a top and front perspective view of FIG. 23;

FIG. 28 is a top and right side perspective view of FIG. 23;

FIG. 29 is a top and left side perspective view of FIG. 23;

FIG. 30 is a top and rear perspective view of FIG. 23;

FIG. 31 is a front elevational view of a fourth embodiment of the sports apparatus of FIG. 1;

FIG. 32 is a right side elevational view of FIG. 31;

FIG. 33 is a left side elevational view of FIG. 31;

FIG. 34 is a rear elevational view of FIG. 31;

FIG. 35 is a top and front perspective view of FIG. 31;

FIG. 36 is a top and right side perspective view of FIG. 31;

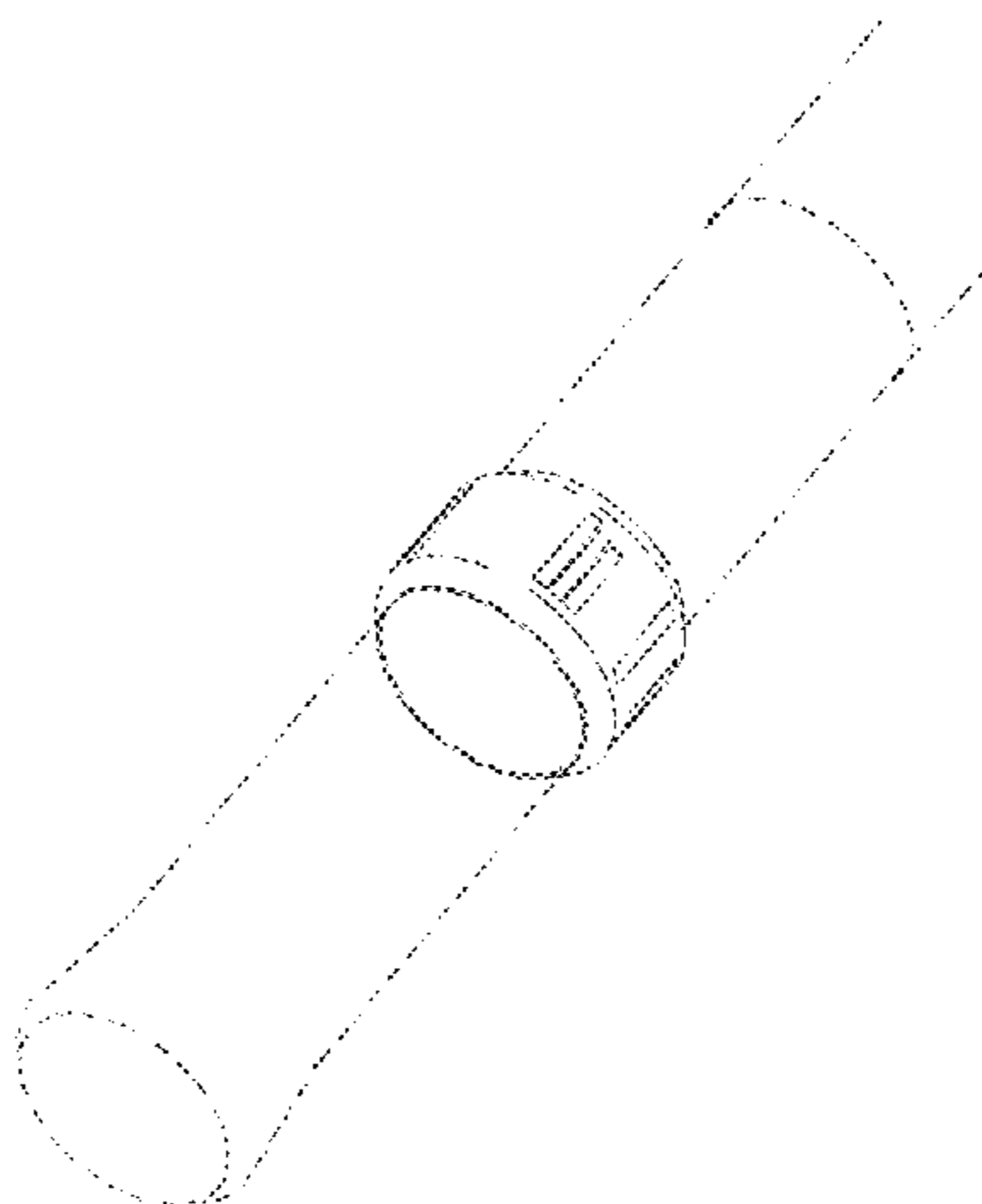
FIG. 37 is a top and left side perspective view of FIG. 31;

FIG. 38 is a top and rear perspective view of FIG. 31;

FIG. 39 is a cross-sectional view taken on line 39-39 of FIG. 2; and,

FIG. 40 is a perspective view of FIG. 3 shown attached to an unclaimed sports handle. The broken line showing of the sports handle is for illustrative purposes only and forms no part of the claimed design.

1 Claim, 13 Drawing Sheets



(58) **Field of Classification Search**

CPC A63B 49/03; A63B 49/08; A63B 60/00;
A63B 60/46; A63B 49/00; A63B 53/14;
A63B 49/035; A63B 49/02; A63B 49/10;
A63B 49/12

See application file for complete search history.

(56) **References Cited**

U.S. PATENT DOCUMENTS

D387,831 S * 12/1997 George D21/753
5,954,591 A * 9/1999 Liberatore A63B 53/14
473/205
D590,902 S * 4/2009 De La Cruz D21/753
8,012,048 B1 9/2011 Montalvo
D659,212 S * 5/2012 Smith D21/753
D665,471 S * 8/2012 Fossum D21/753
D670,776 S * 11/2012 Fossum D21/753
D678,967 S * 3/2013 Fossum D21/753
D697,153 S * 1/2014 Fossum D21/753
8,944,943 B2 * 2/2015 Heiberg A63B 59/0074
473/227
D733,235 S * 6/2015 Smith D21/753
D767,697 S * 9/2016 Deggs D21/753
D770,583 S * 11/2016 Andrews D21/753
2013/0157789 A1 6/2013 Grady et al.
2014/0371009 A1 12/2014 Thomas

* cited by examiner

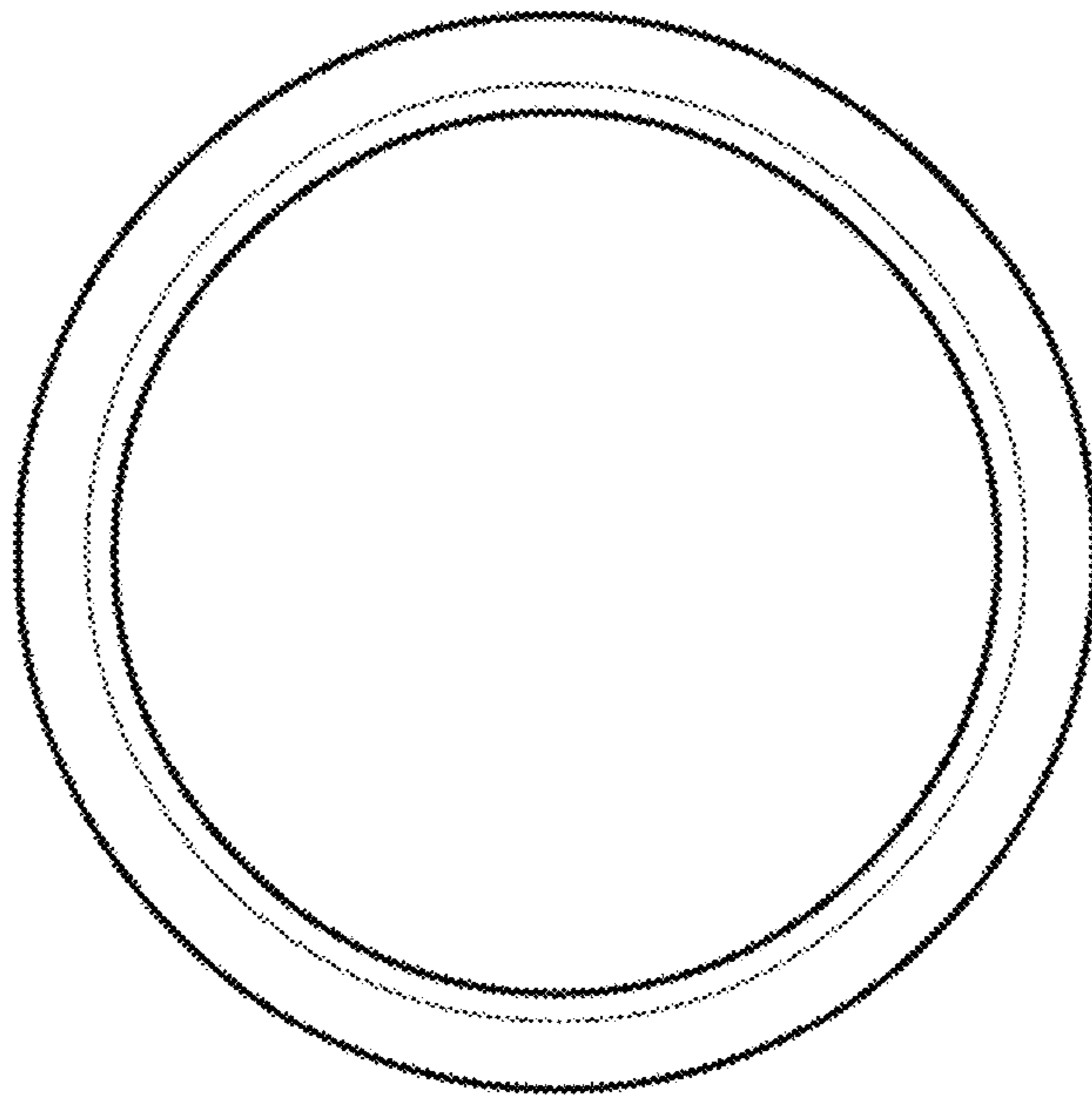


Fig. 1

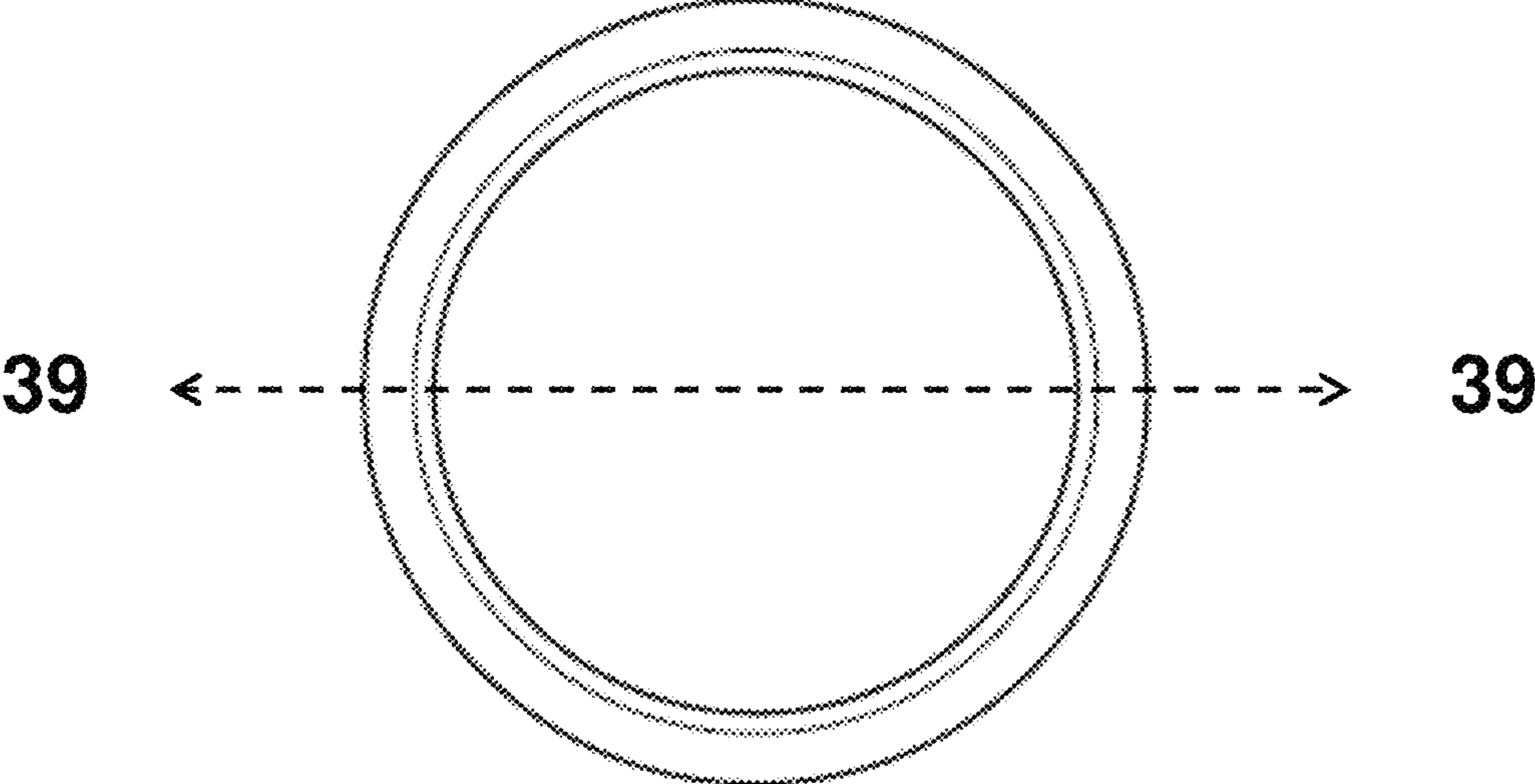


Fig. 2

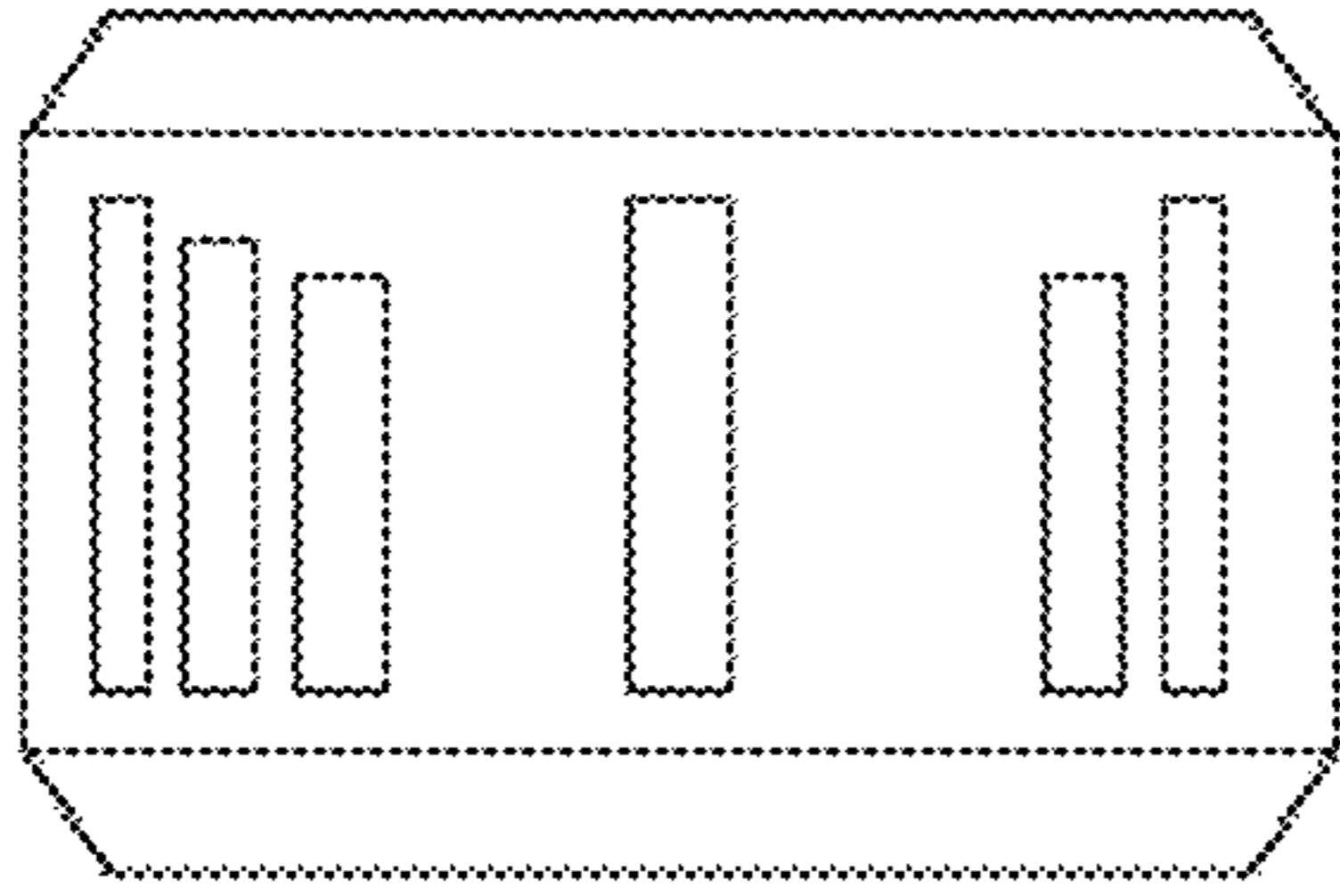


Fig. 3

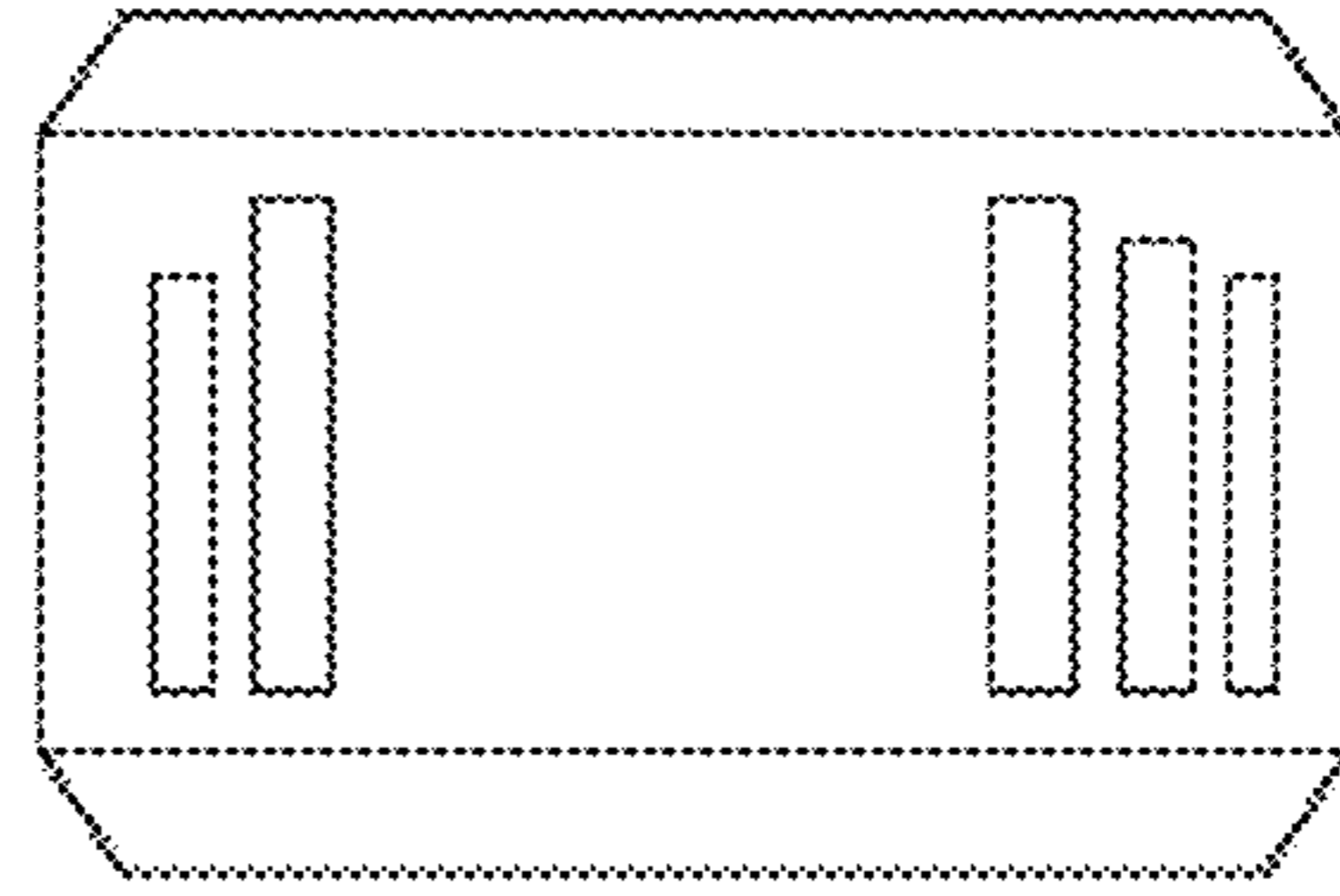


Fig. 4

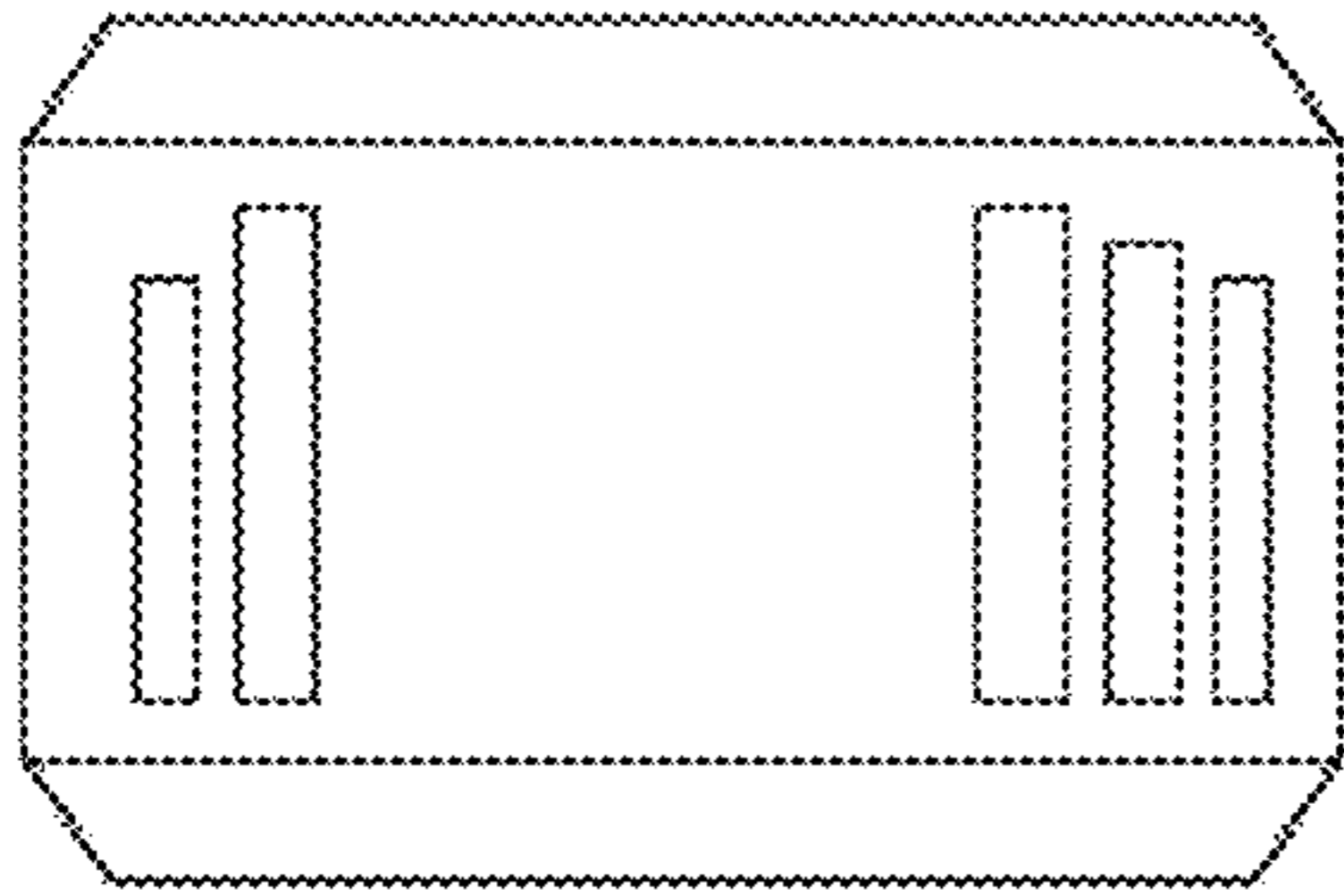


Fig. 5

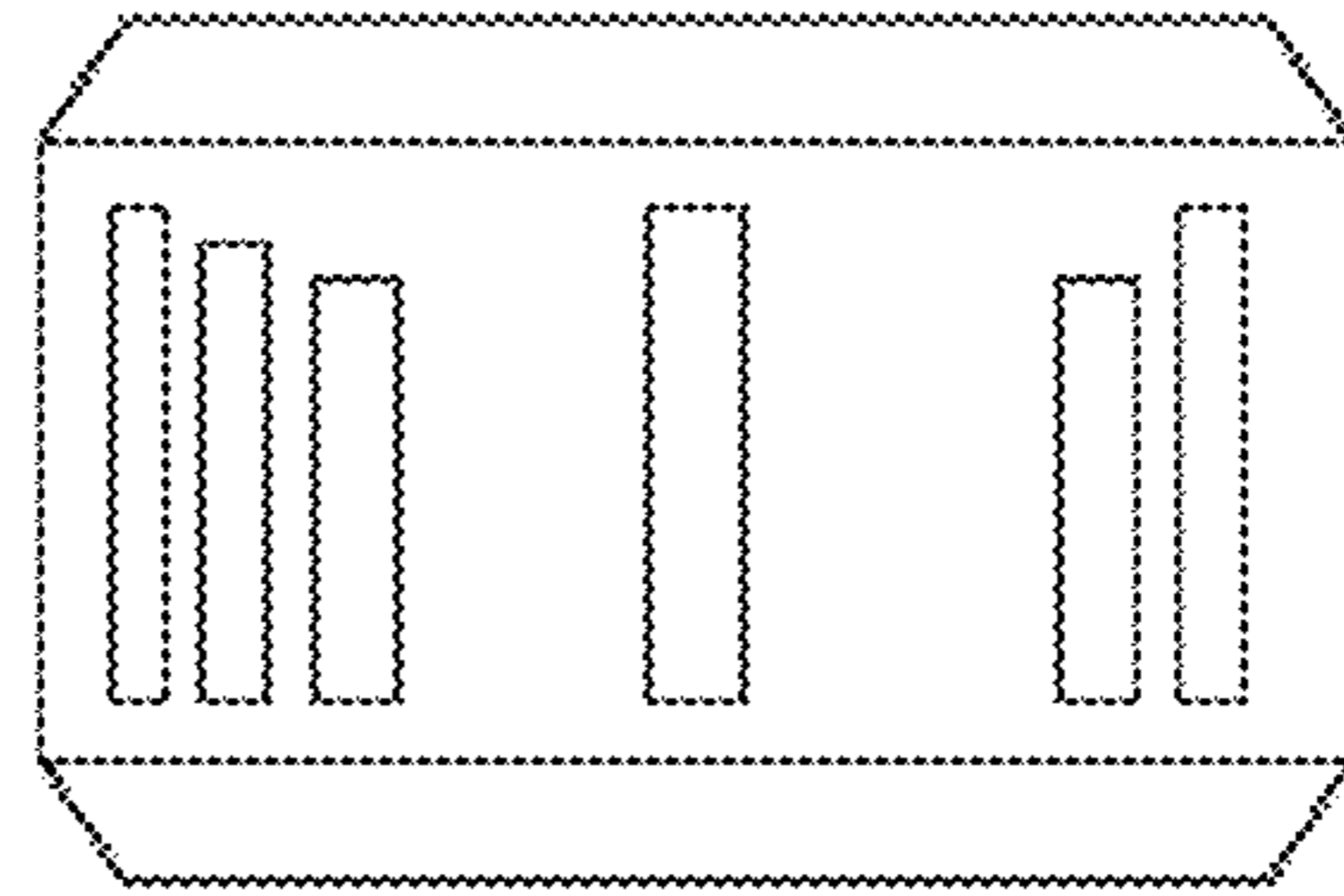


Fig. 6

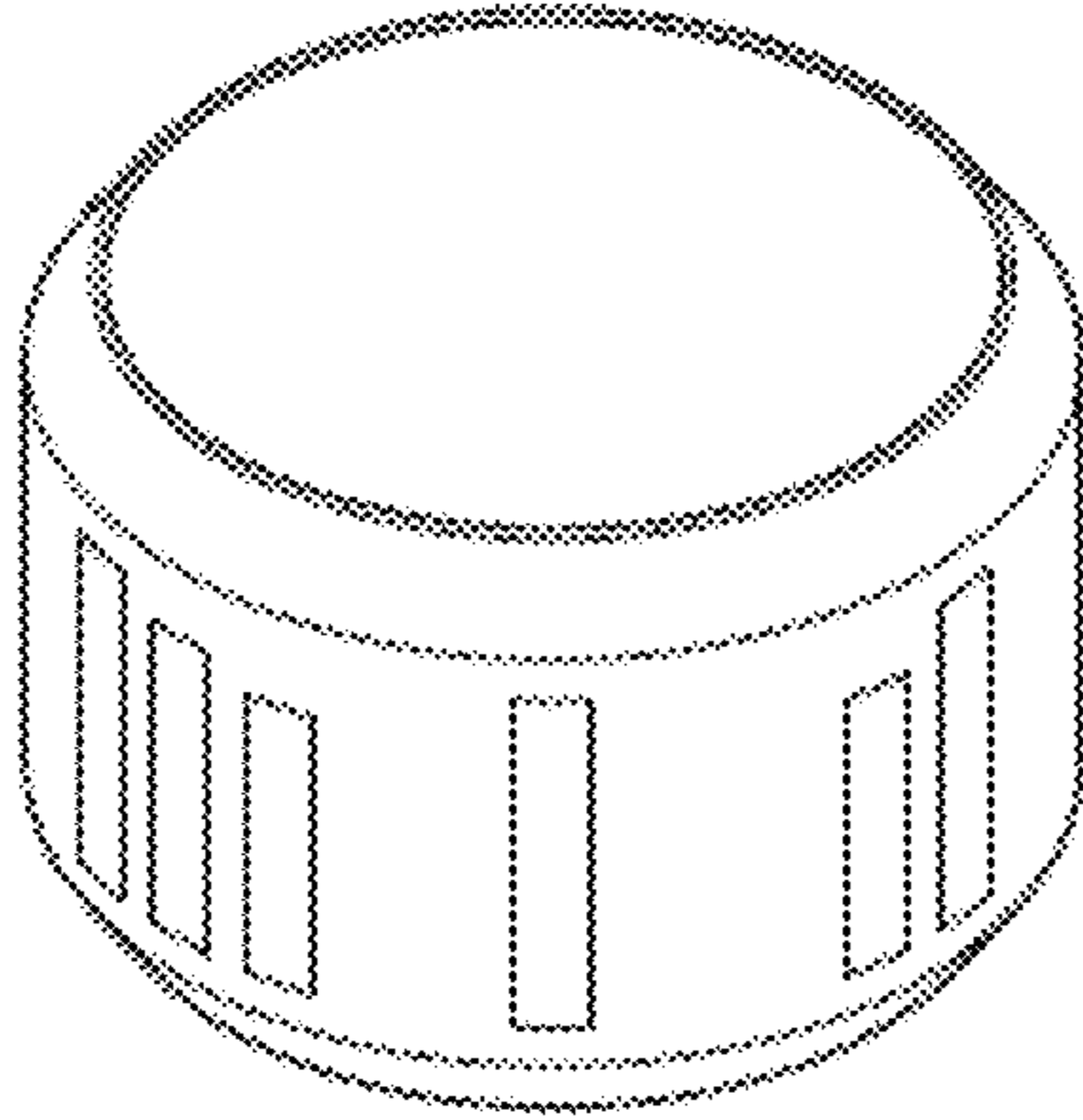


Fig. 7

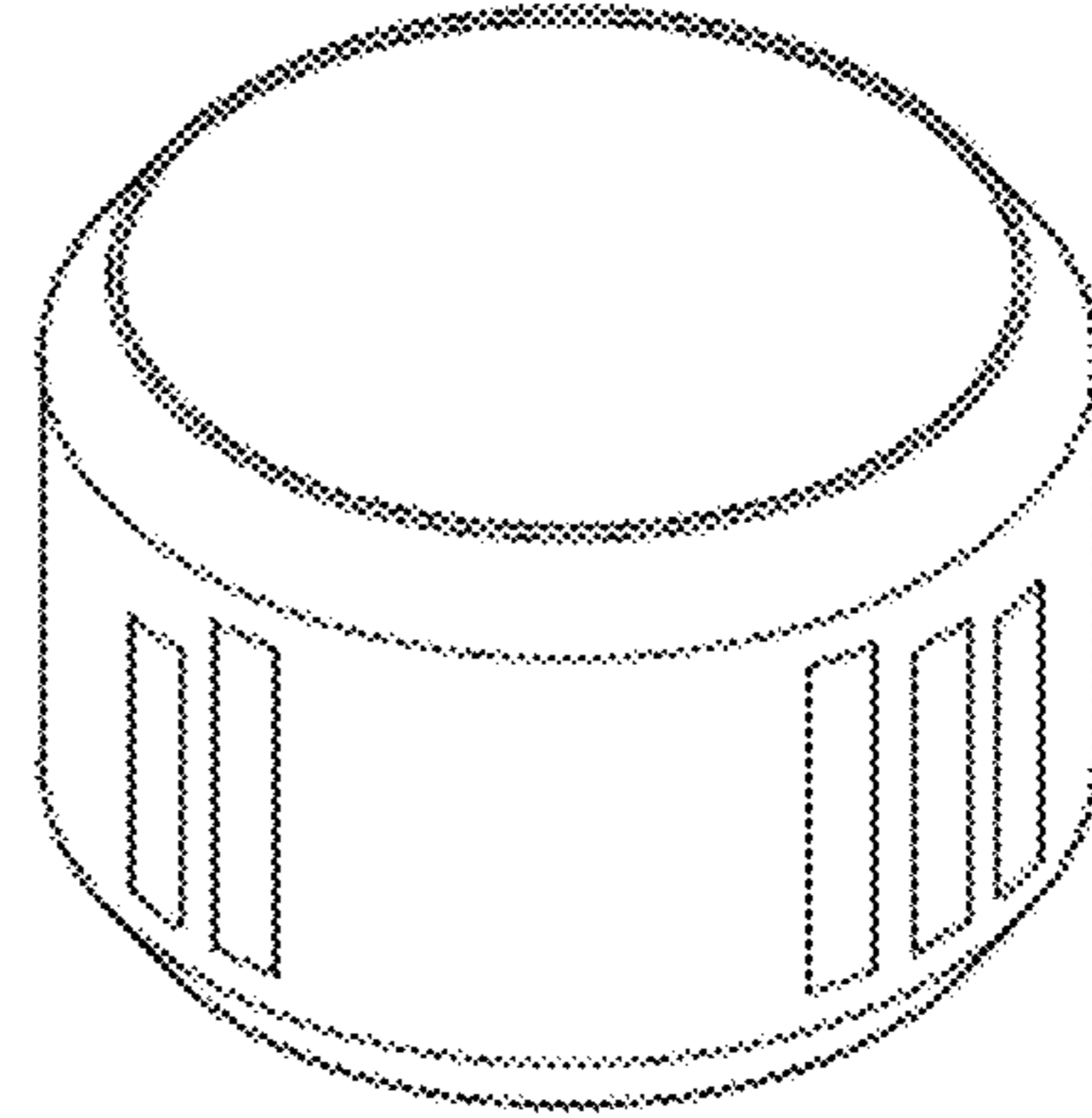


Fig. 8

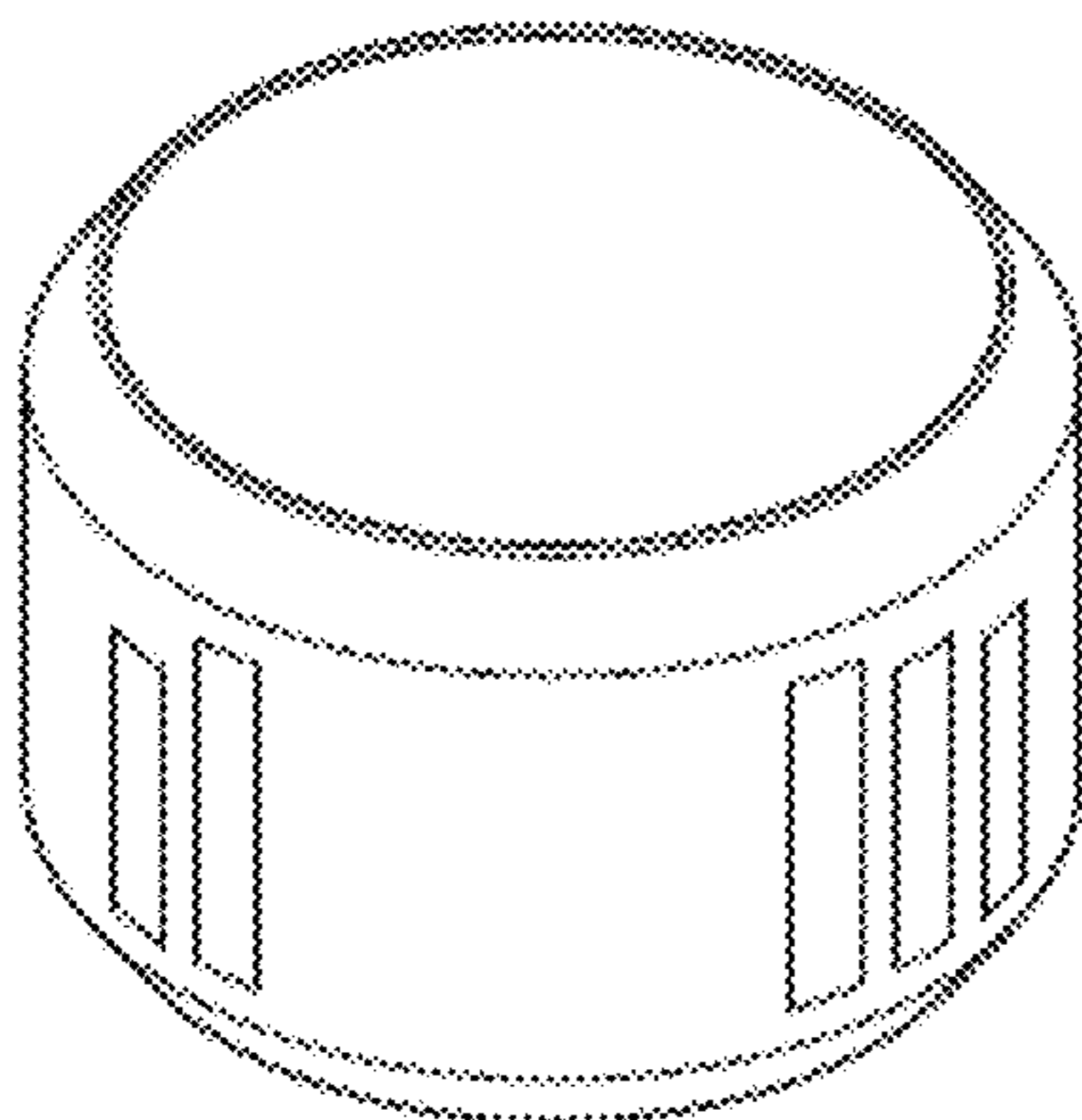


Fig. 9

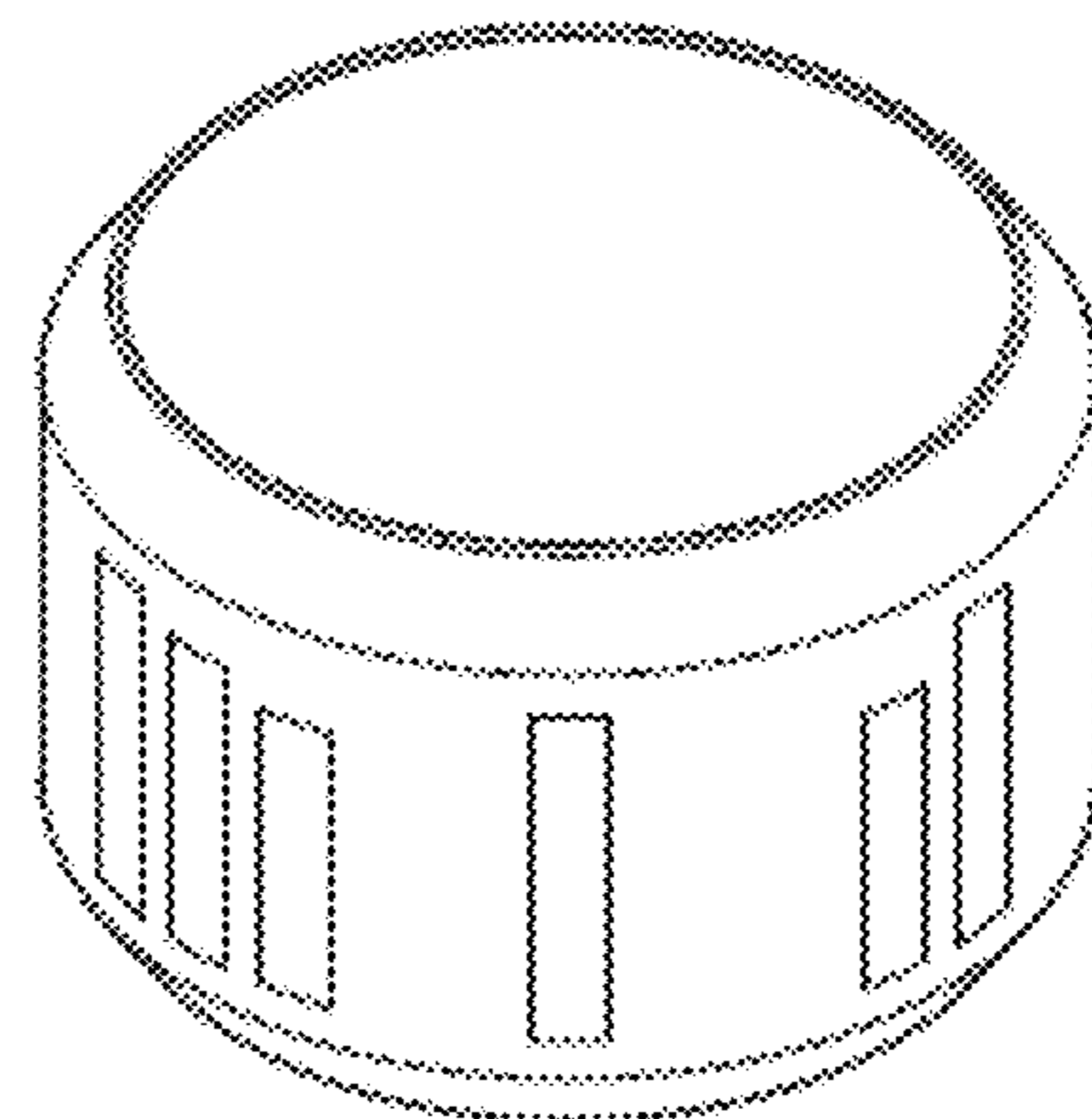


Fig. 10

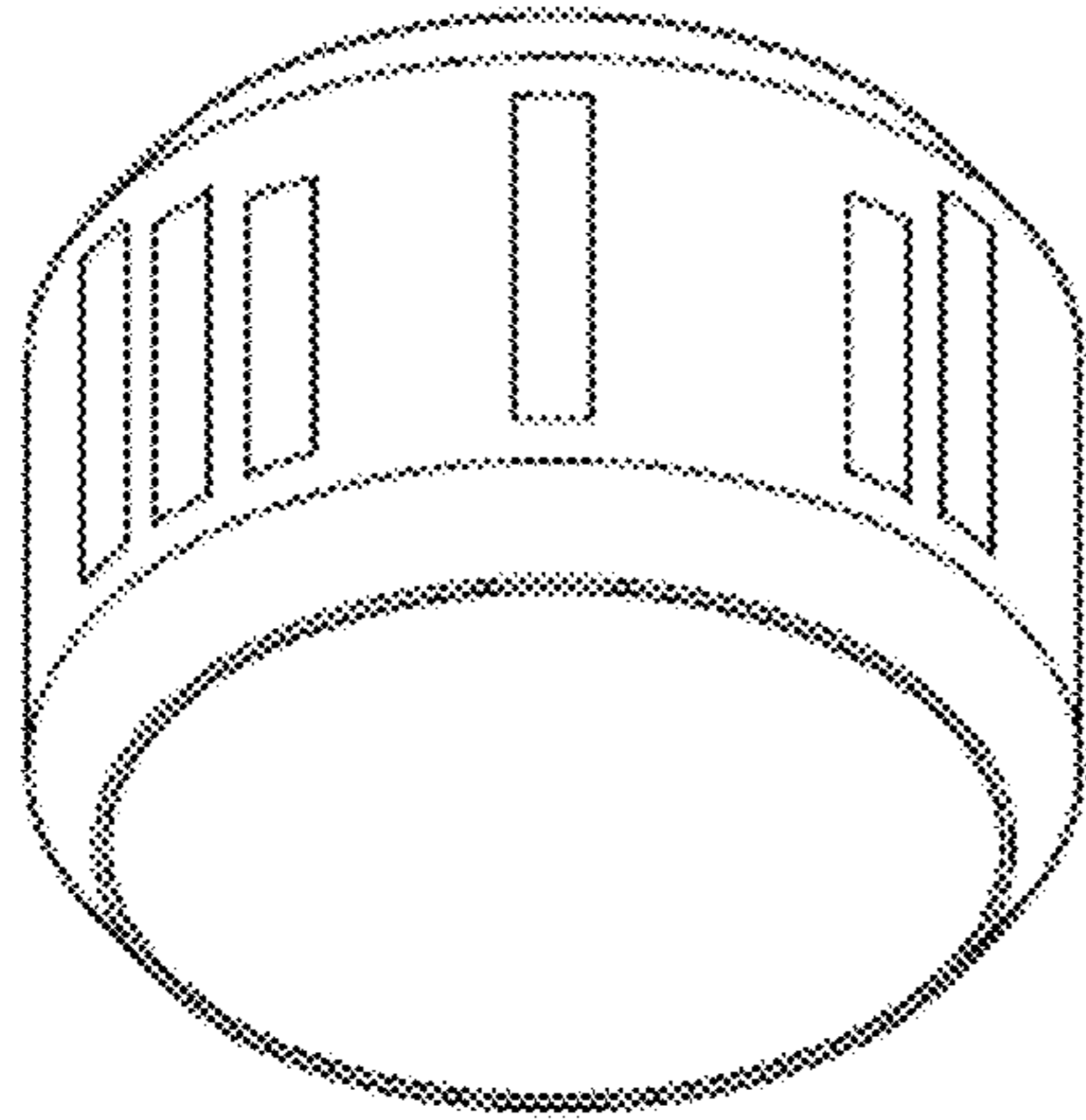


Fig. 11

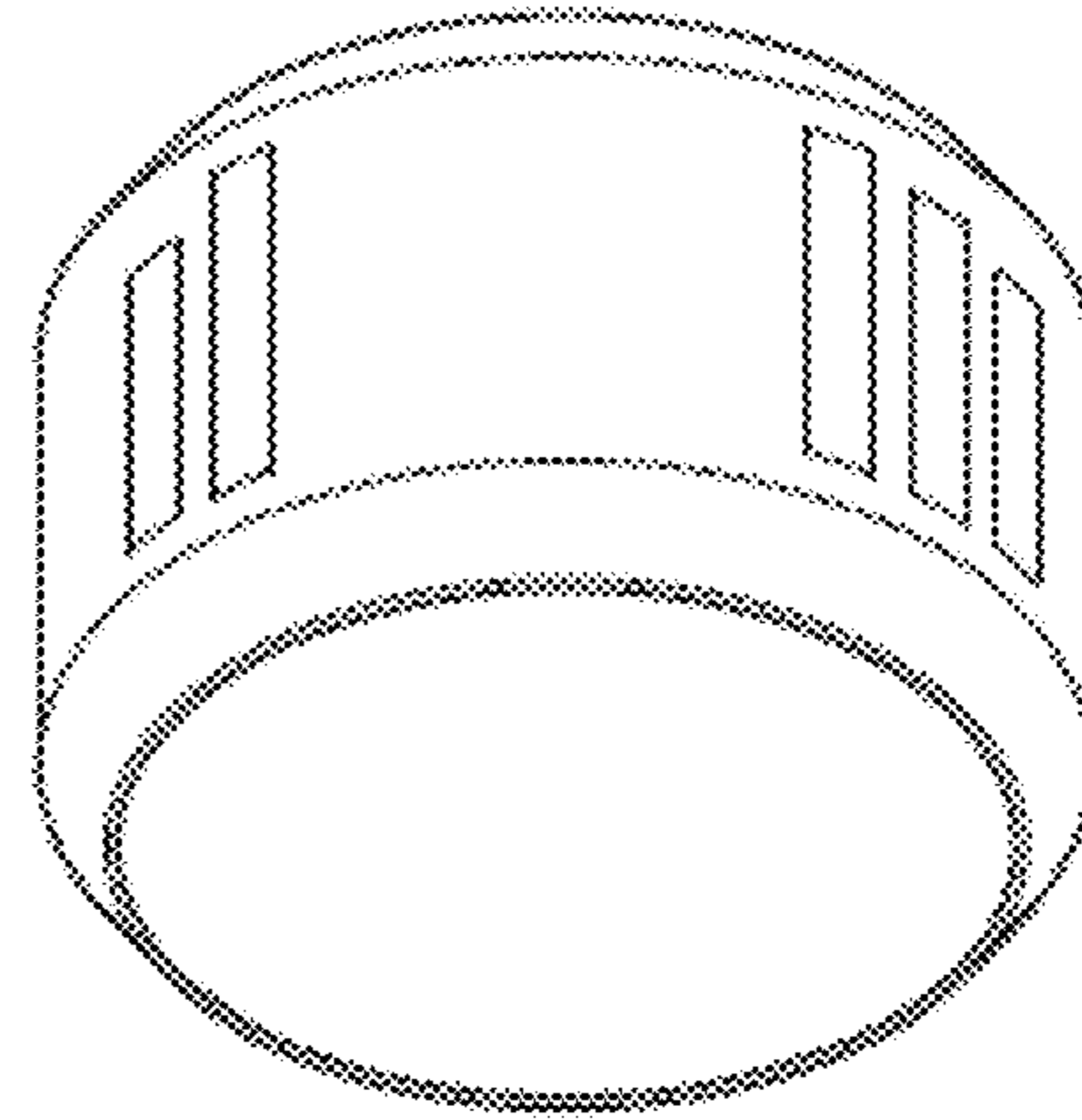


Fig. 12

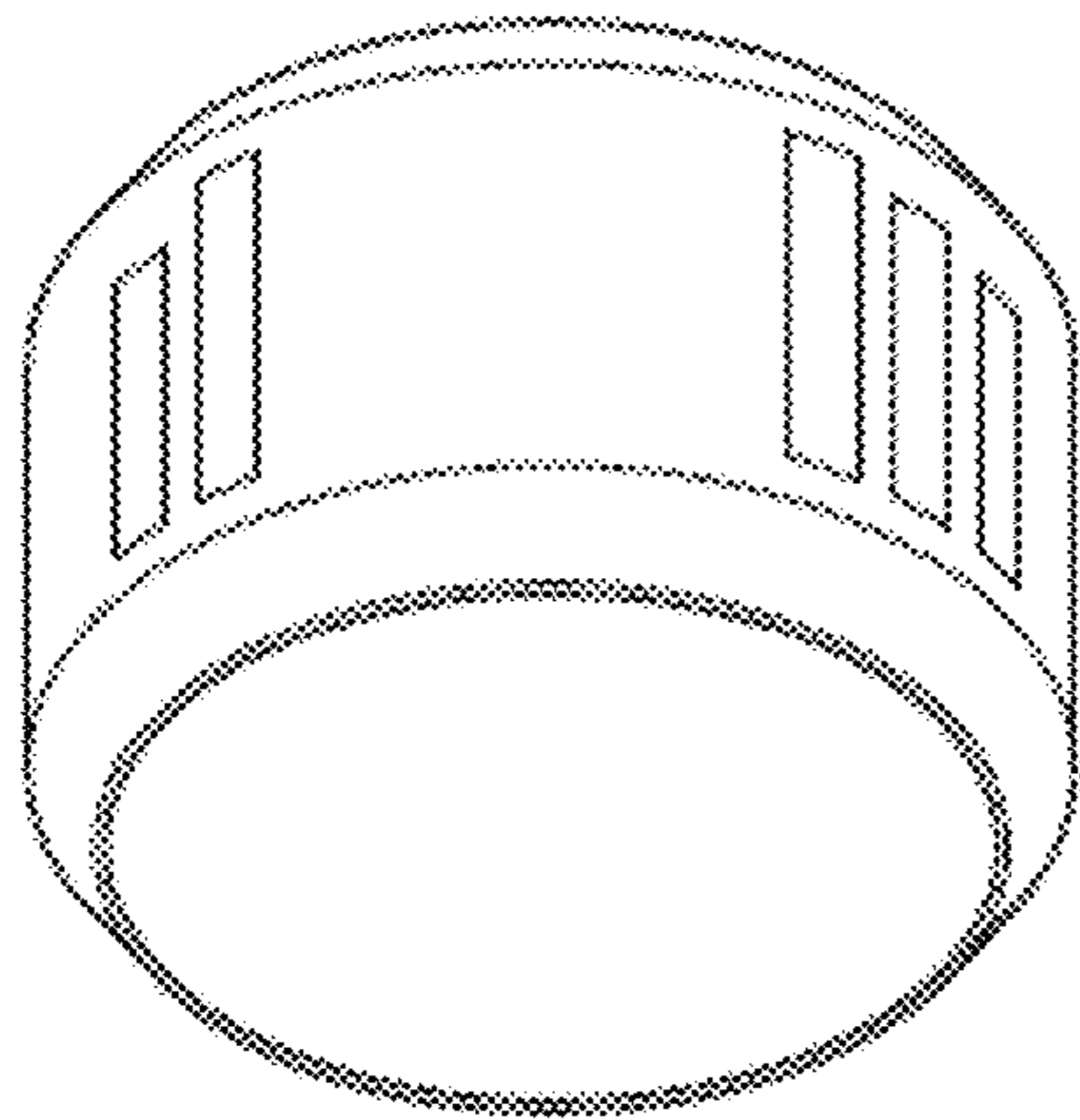


Fig. 13

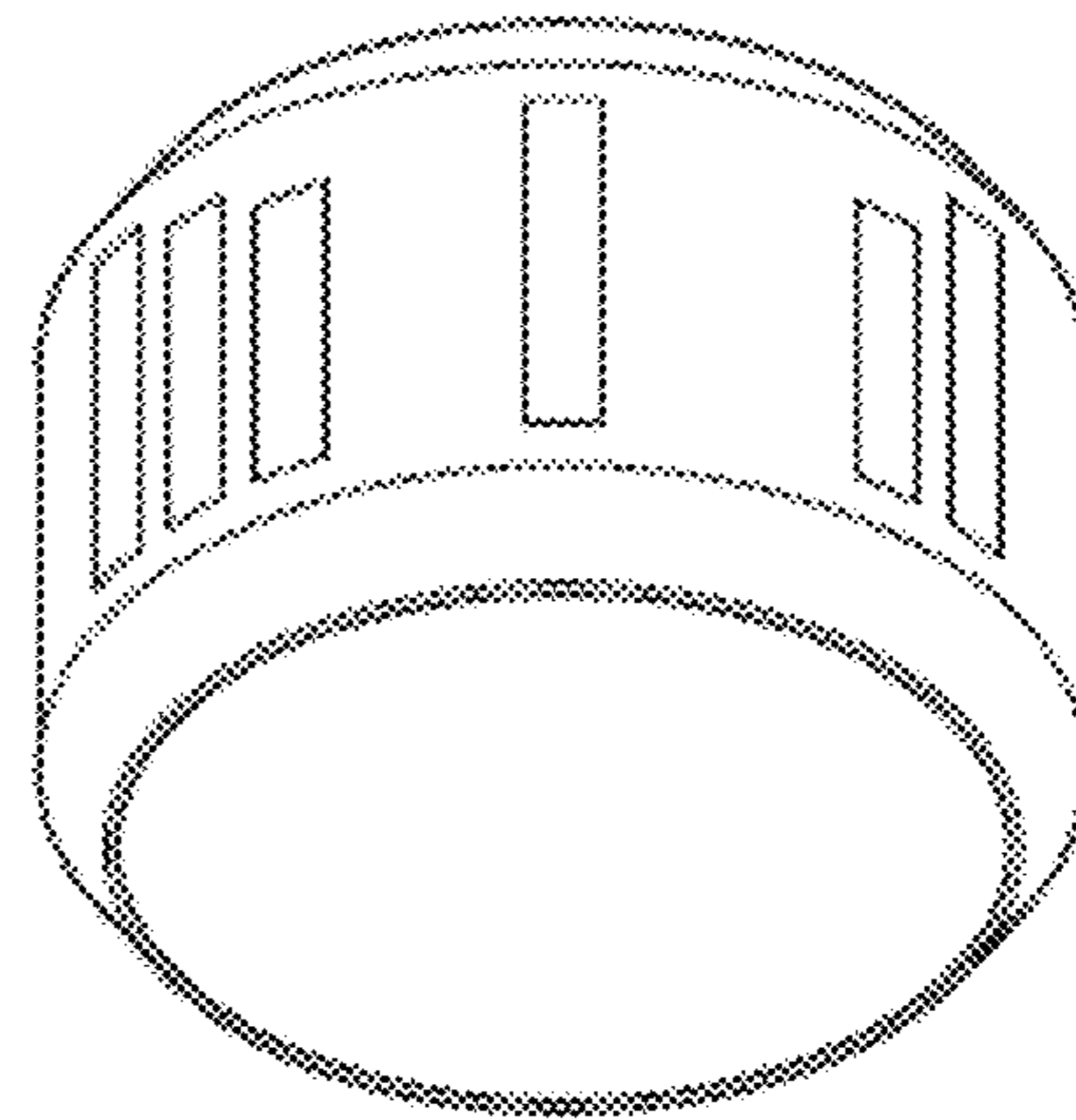


Fig. 14

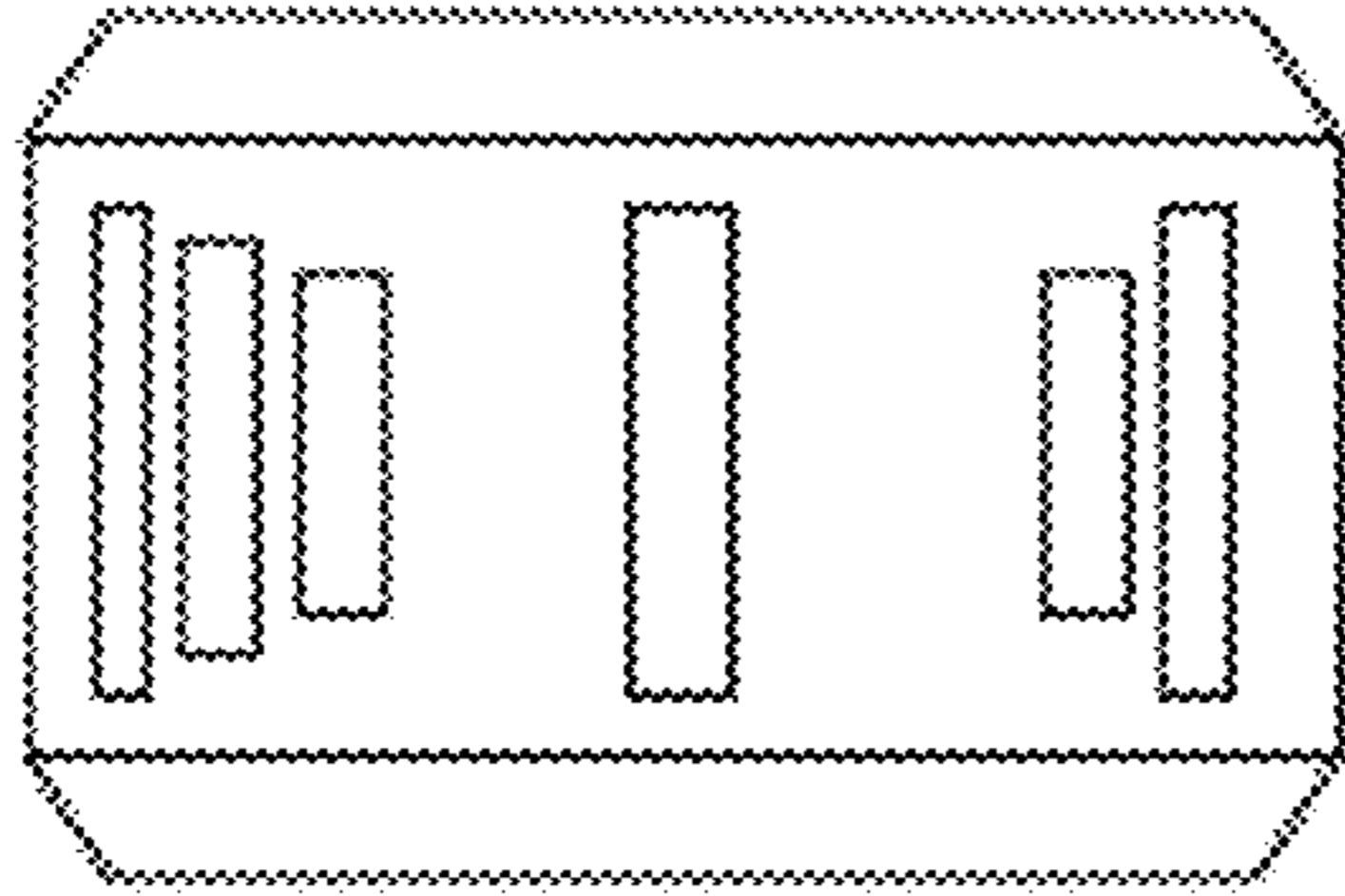


Fig. 15

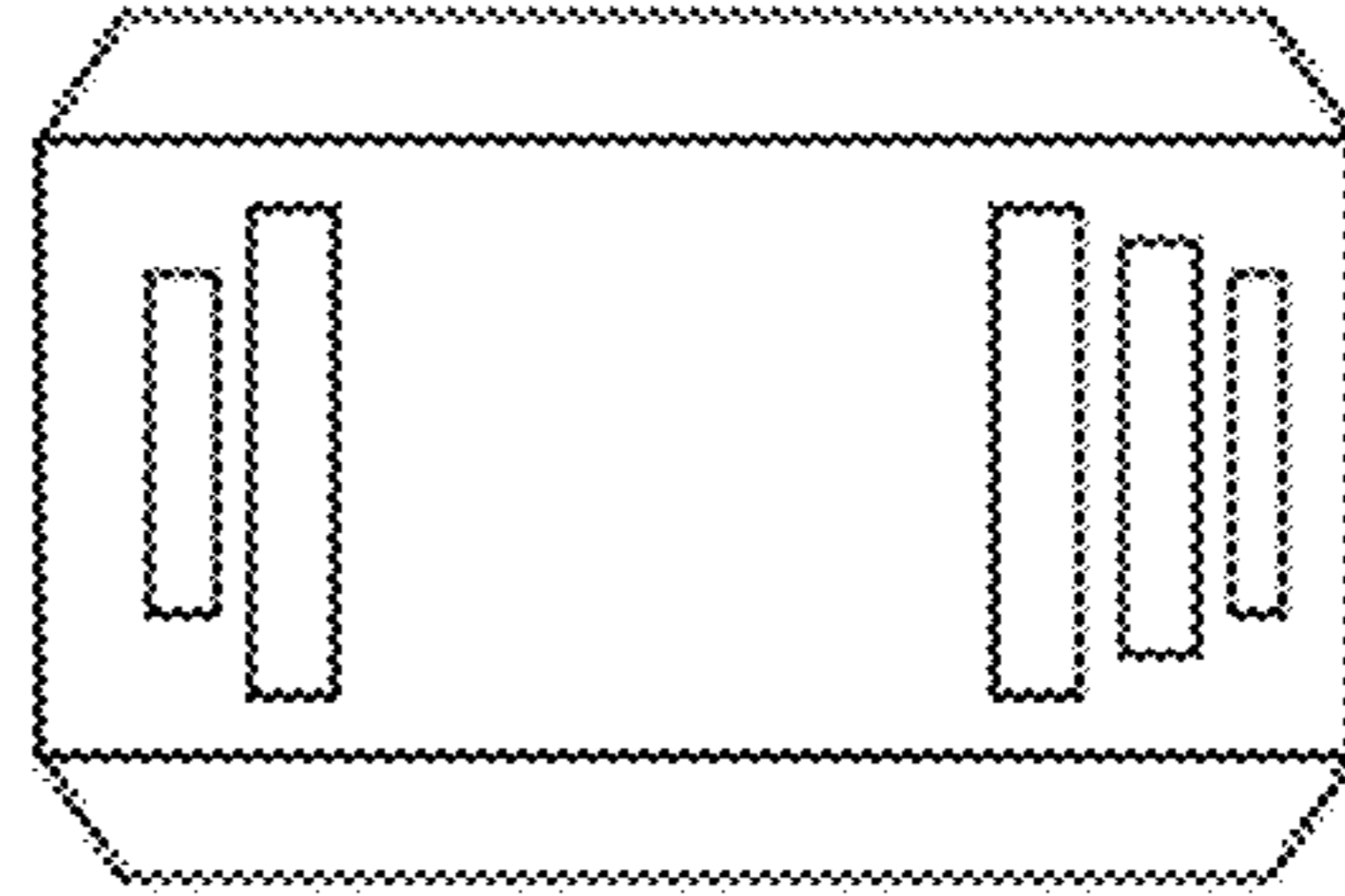


Fig. 16

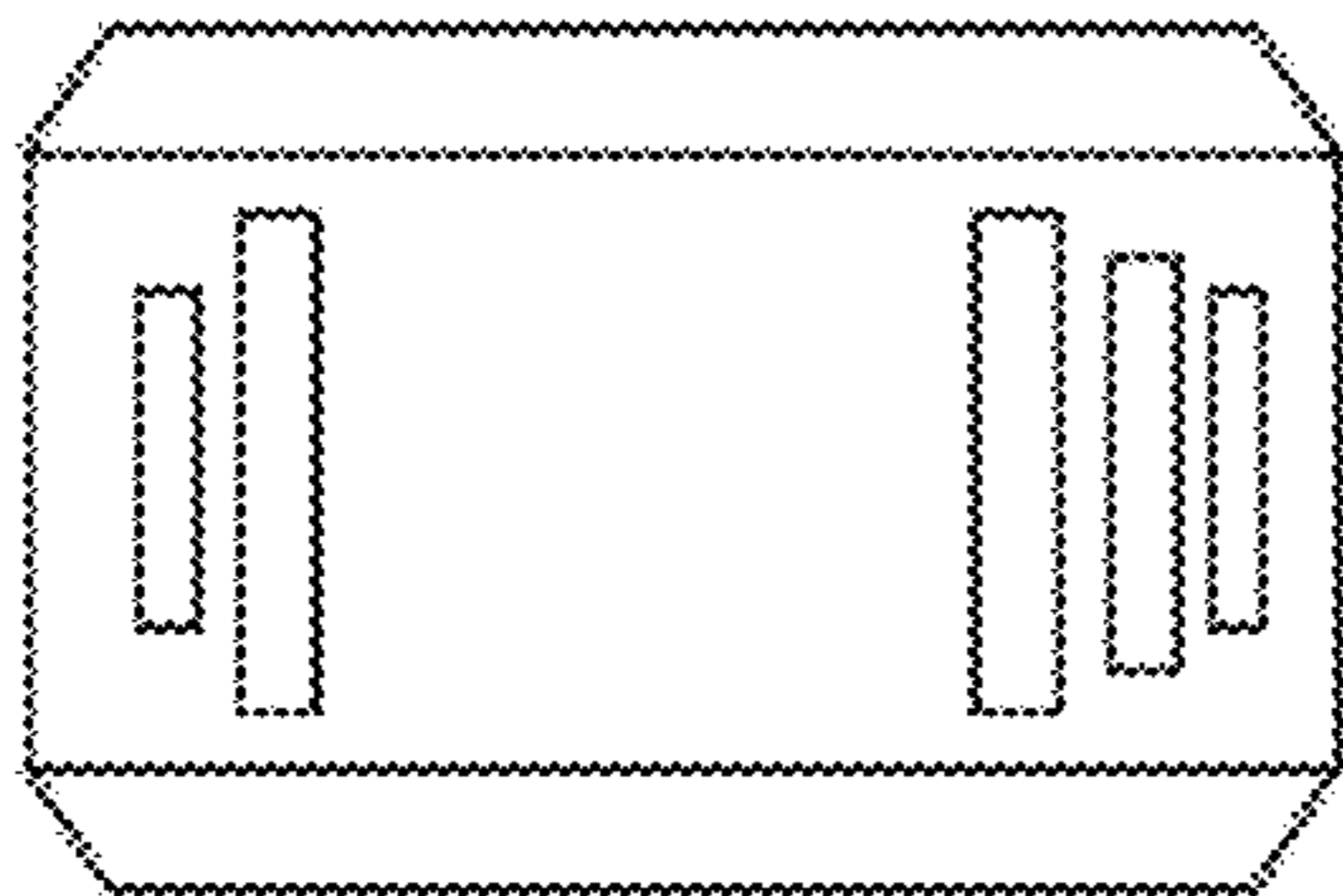


Fig. 17

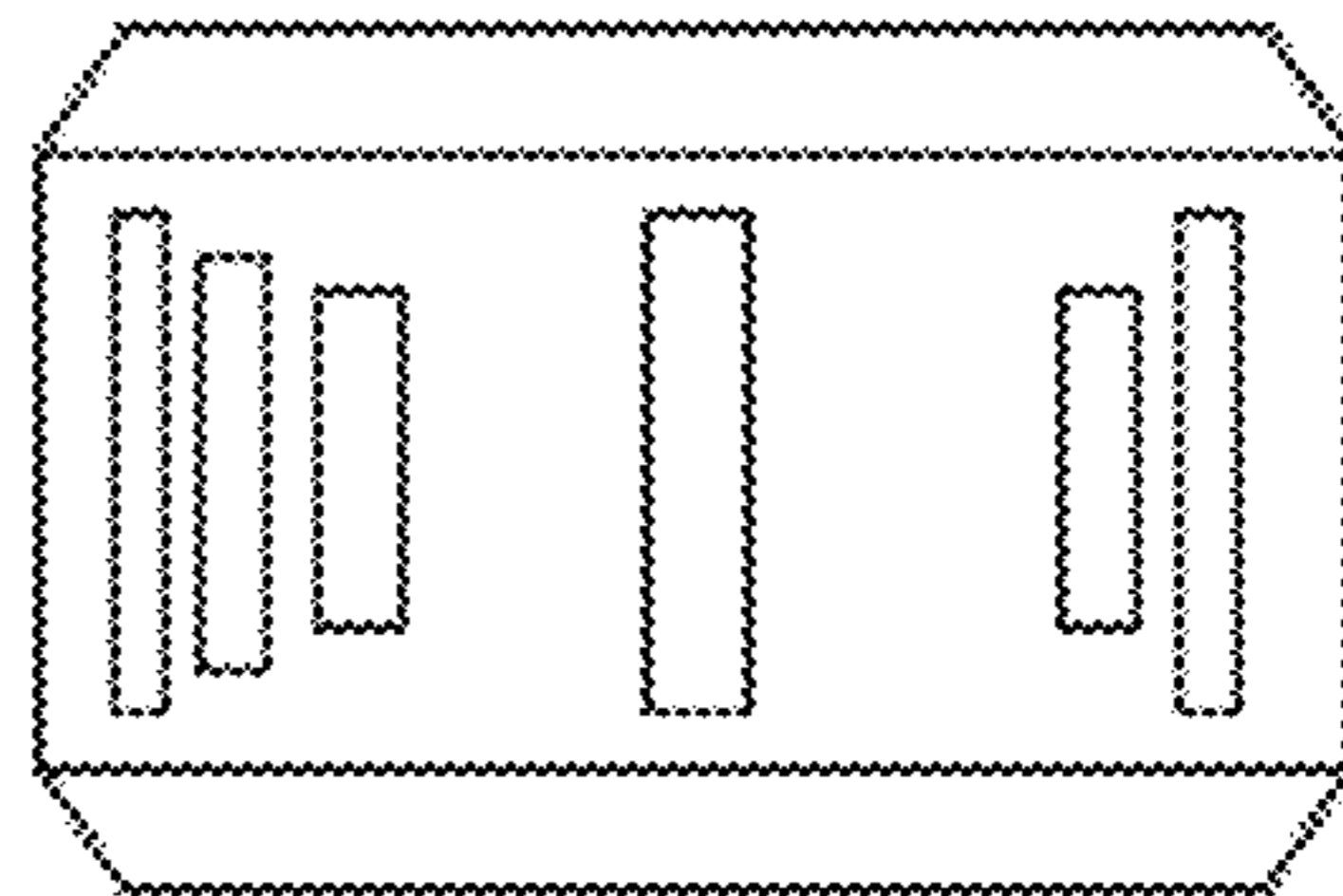


Fig. 18

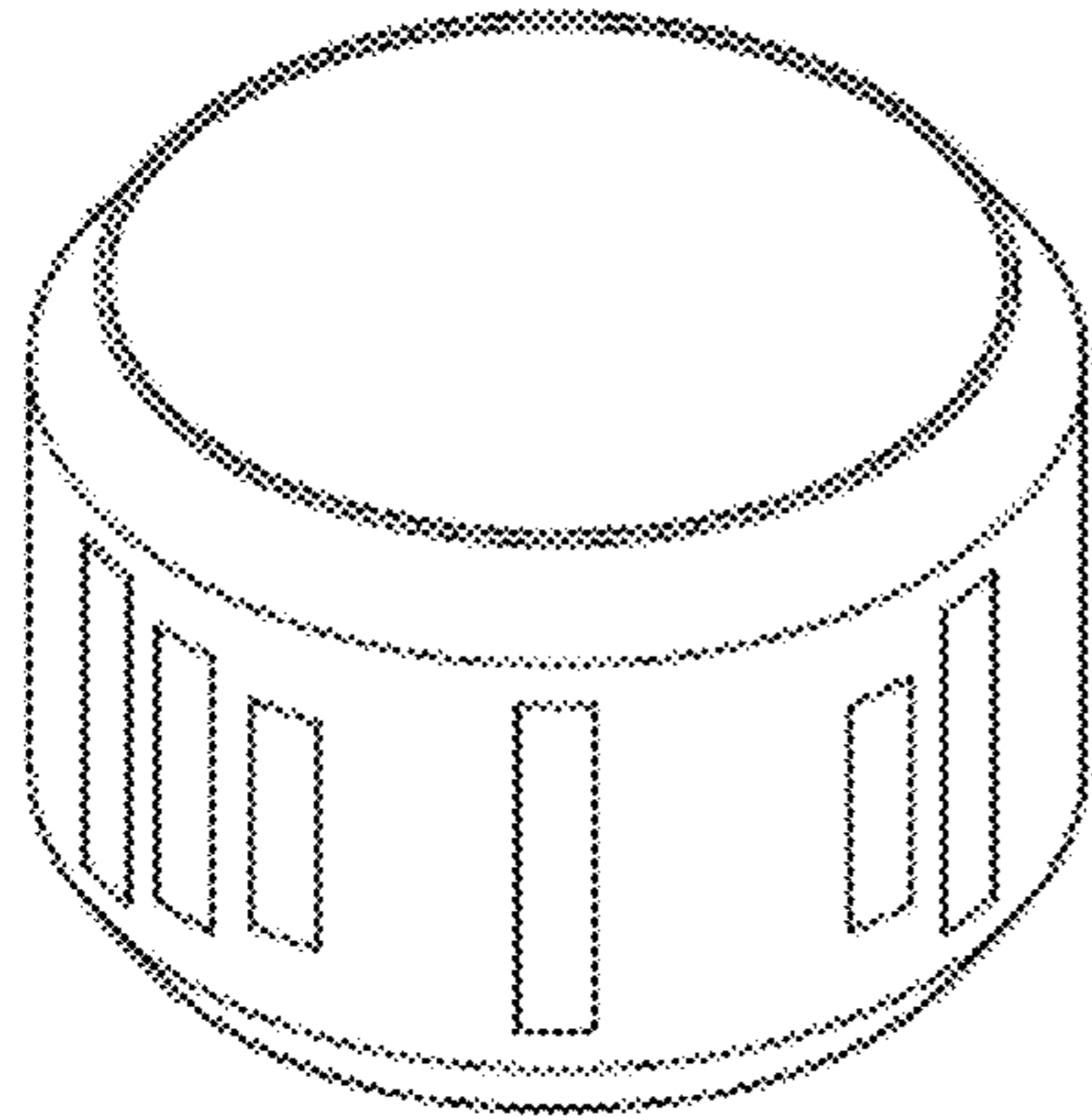


Fig. 19

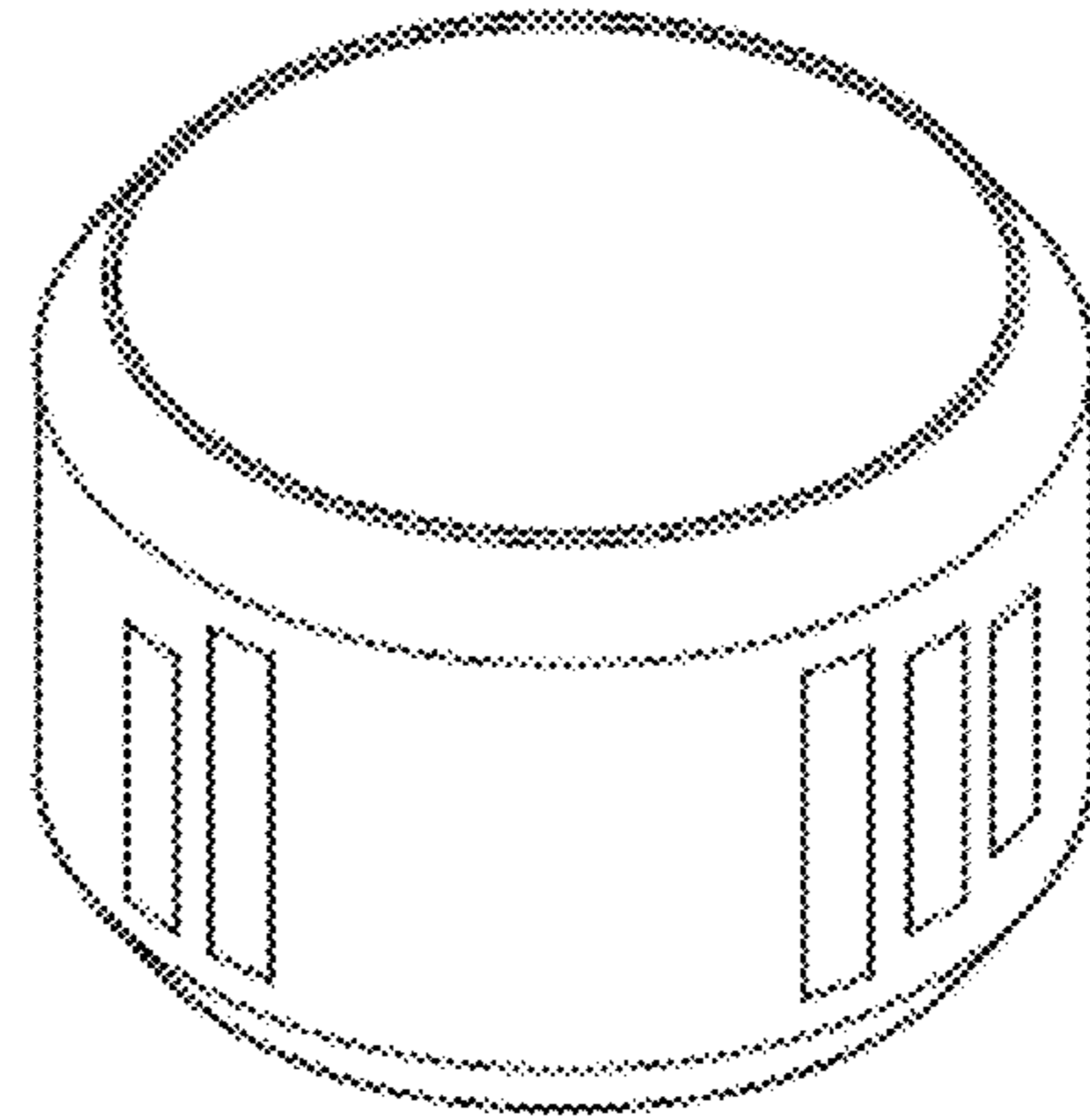


Fig. 20

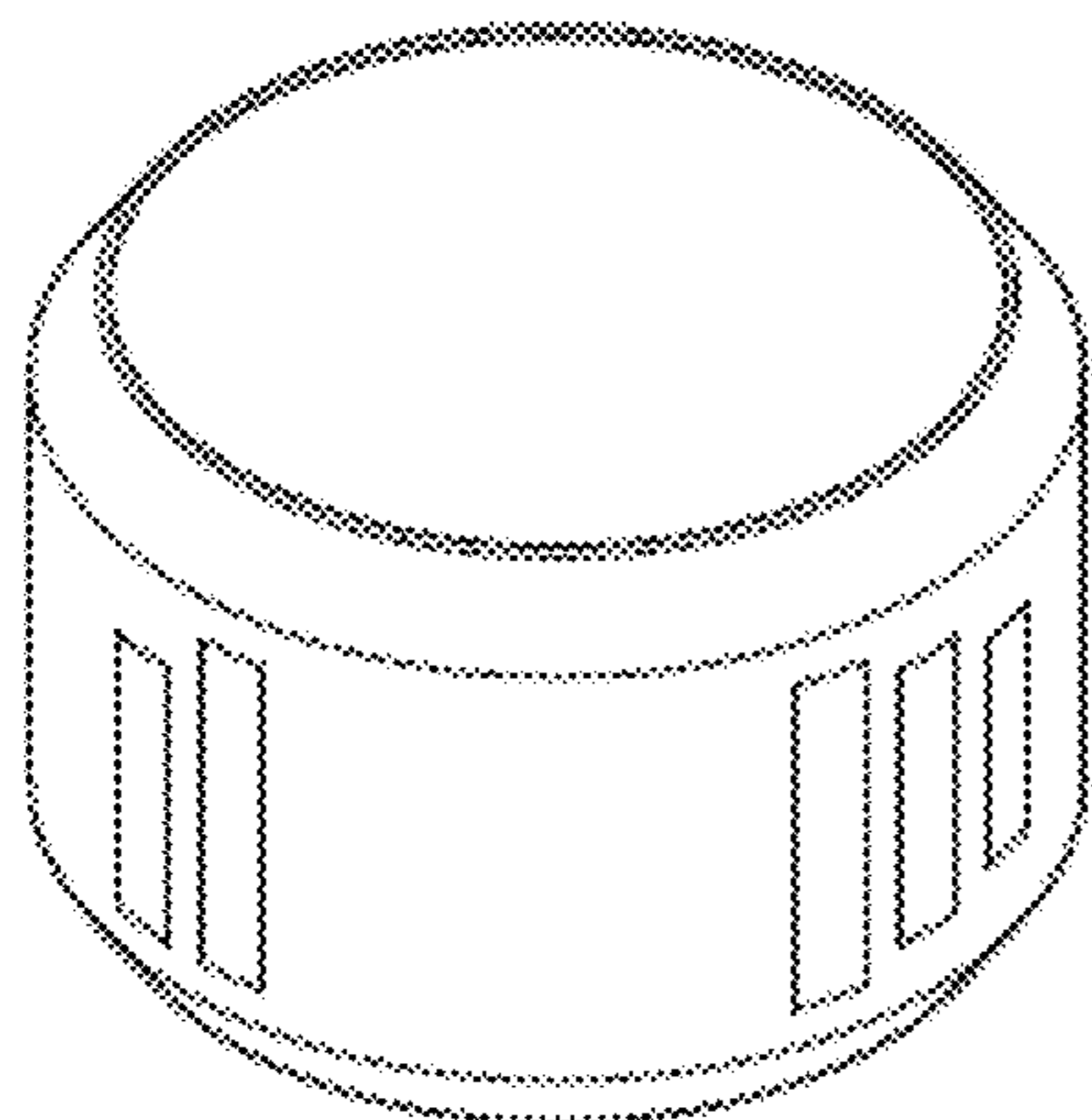


Fig. 21

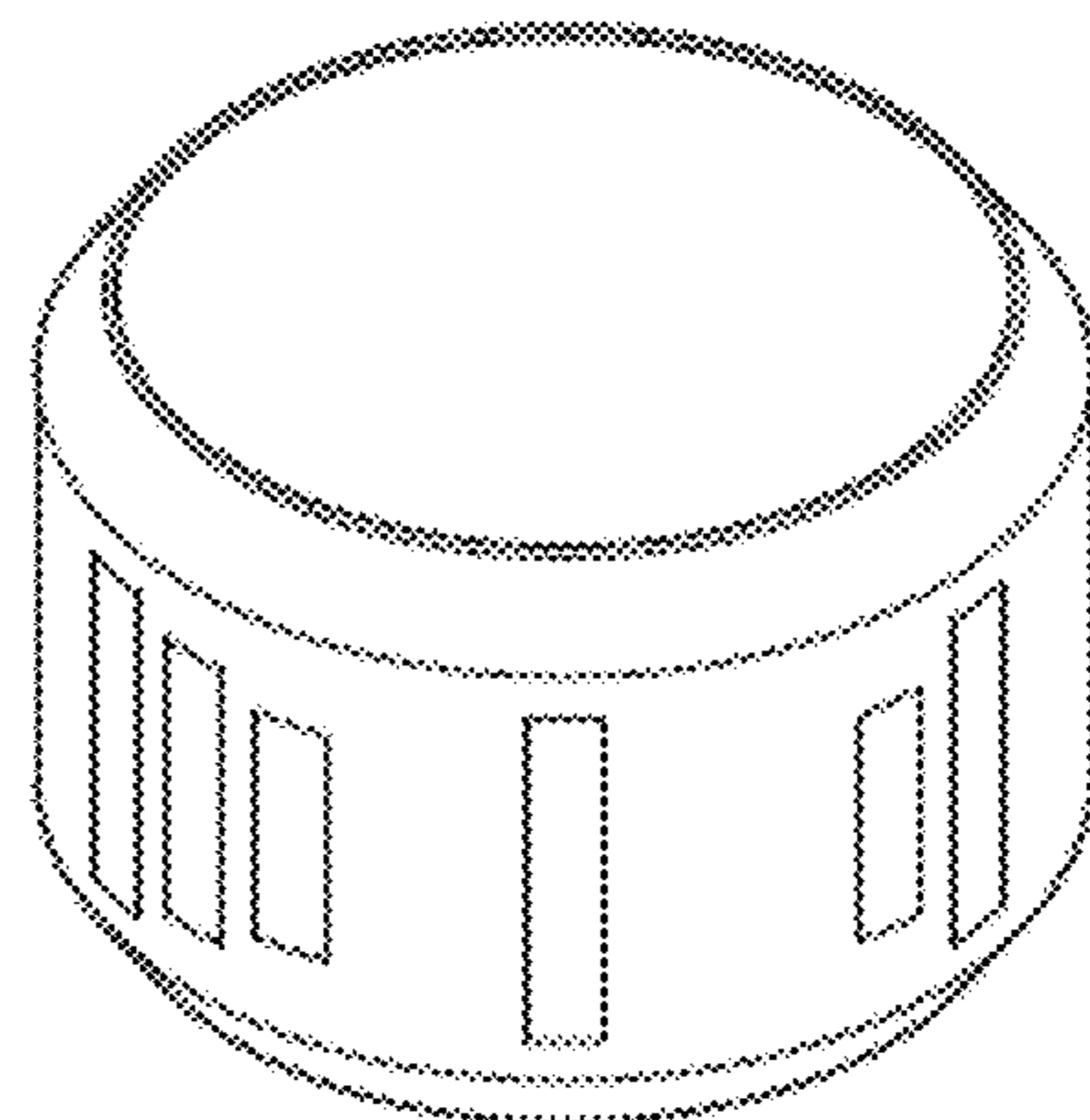


Fig. 22

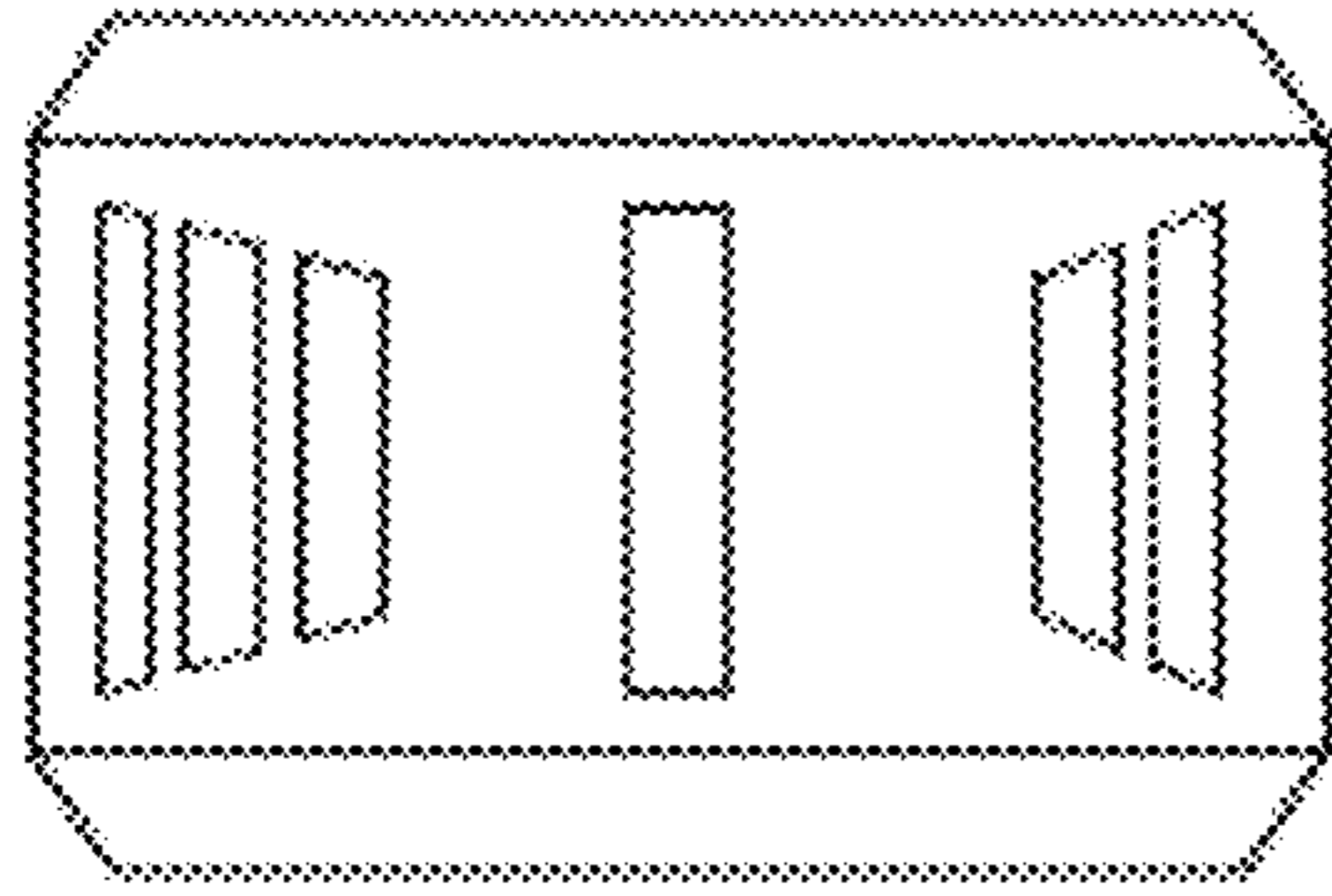


Fig. 23

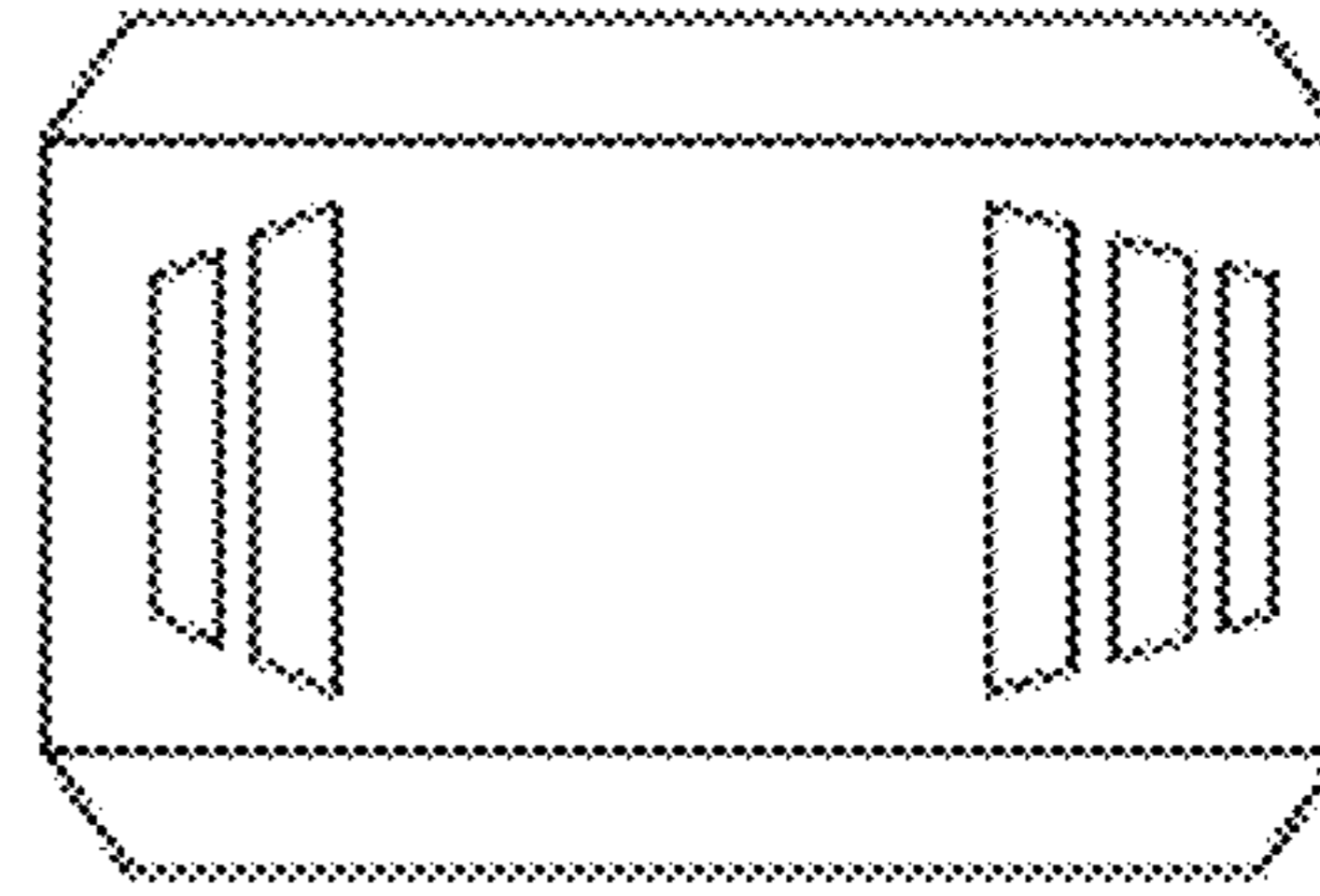


Fig. 24

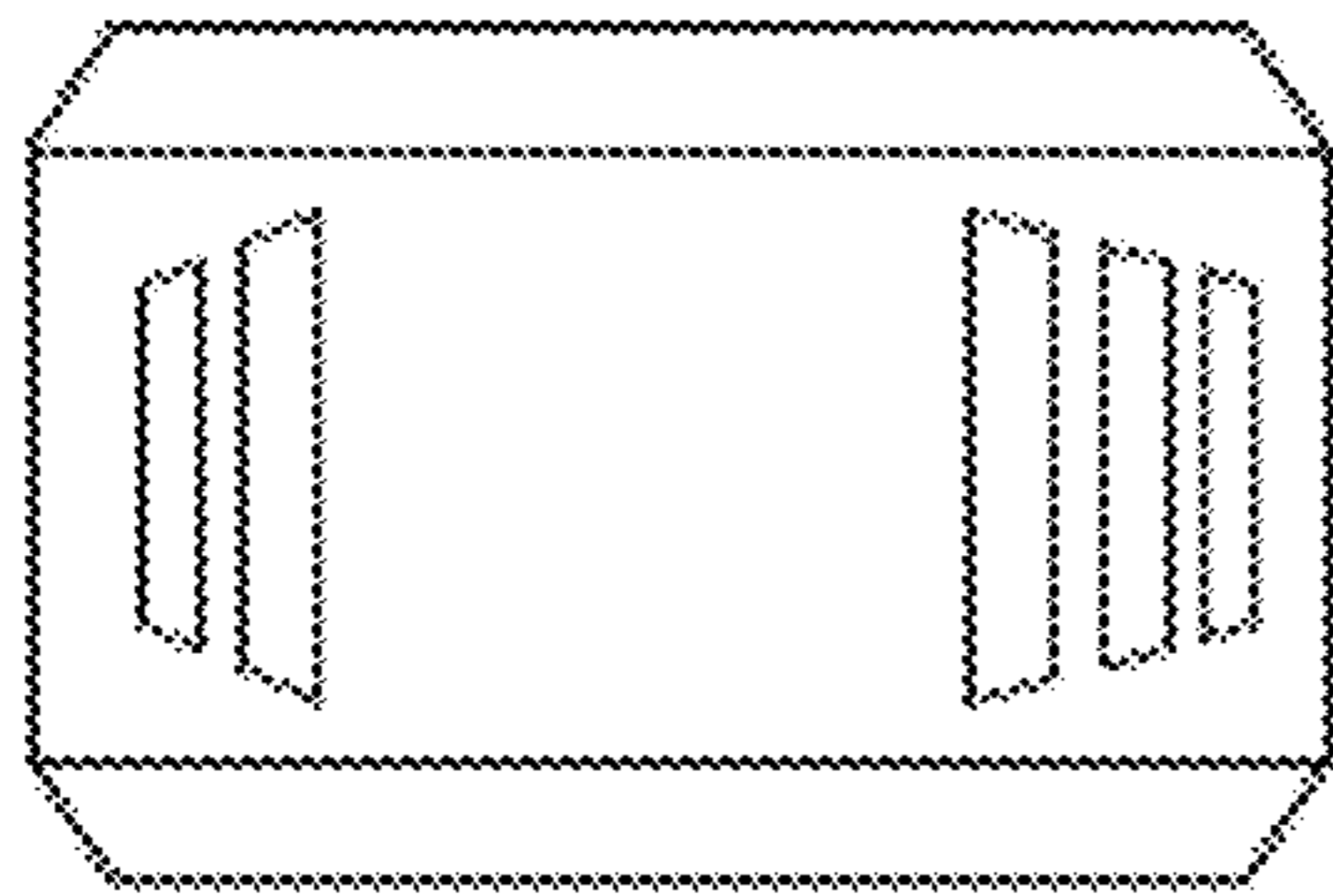


Fig. 25

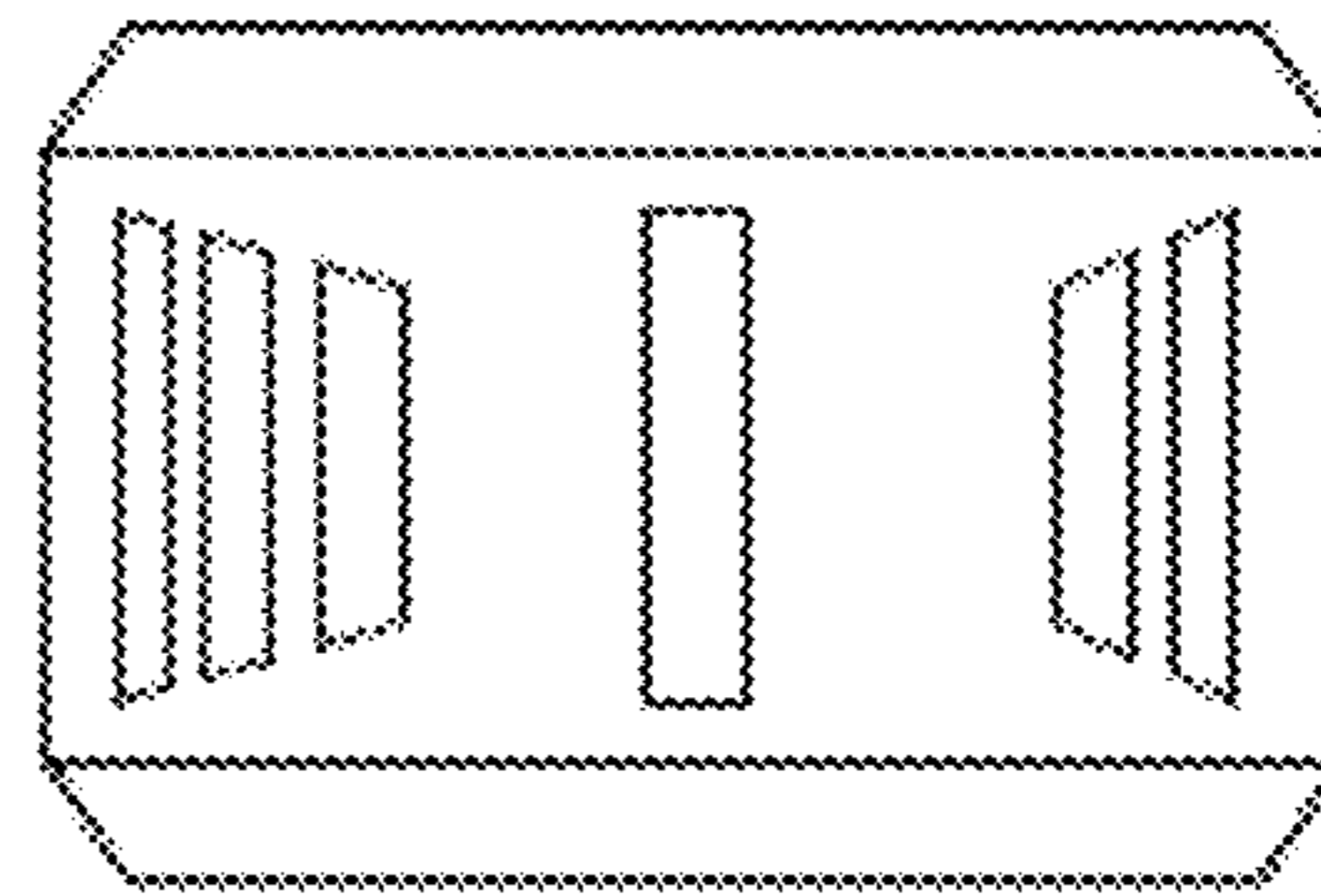


Fig. 26

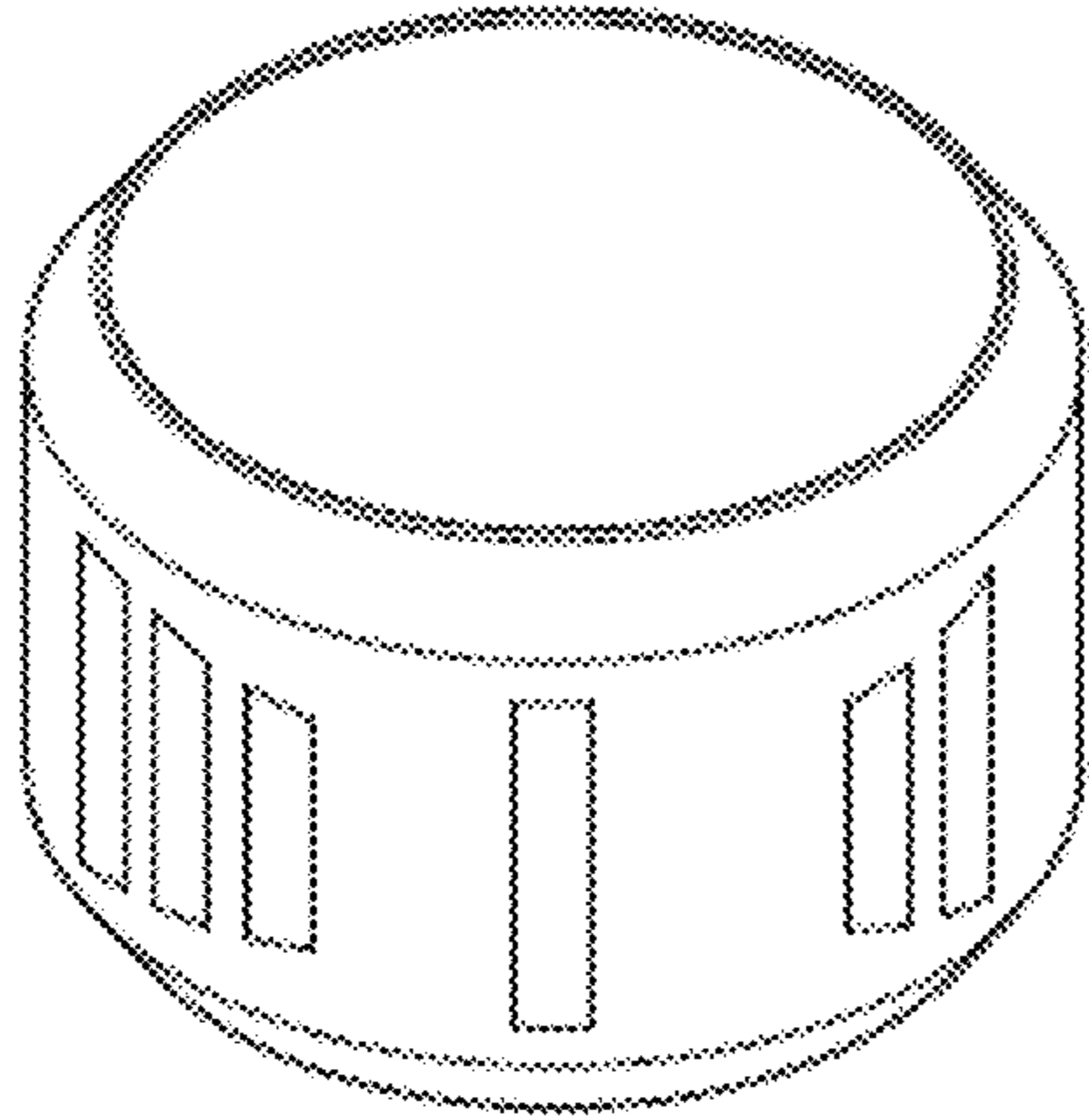


Fig. 27

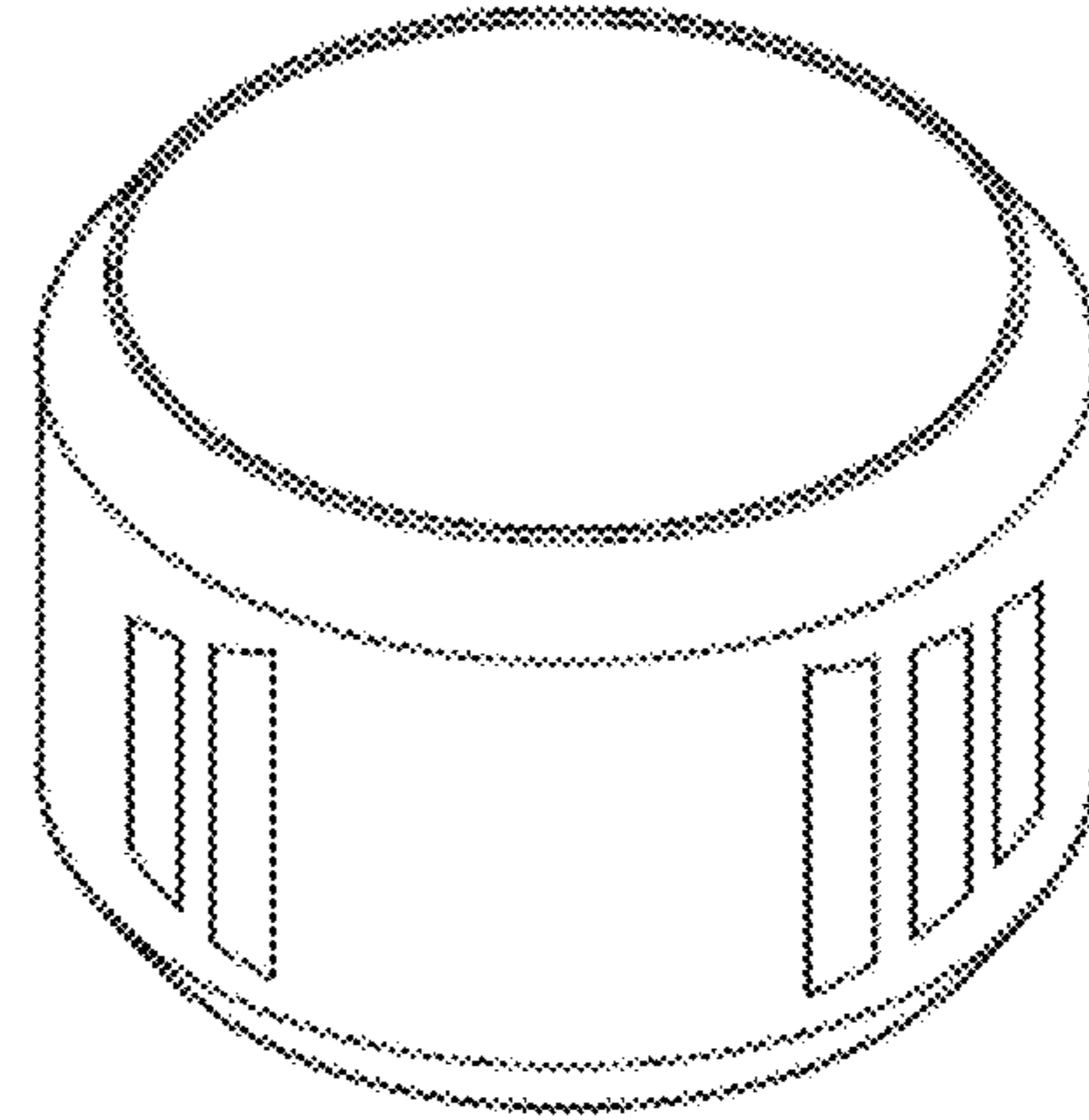


Fig. 28

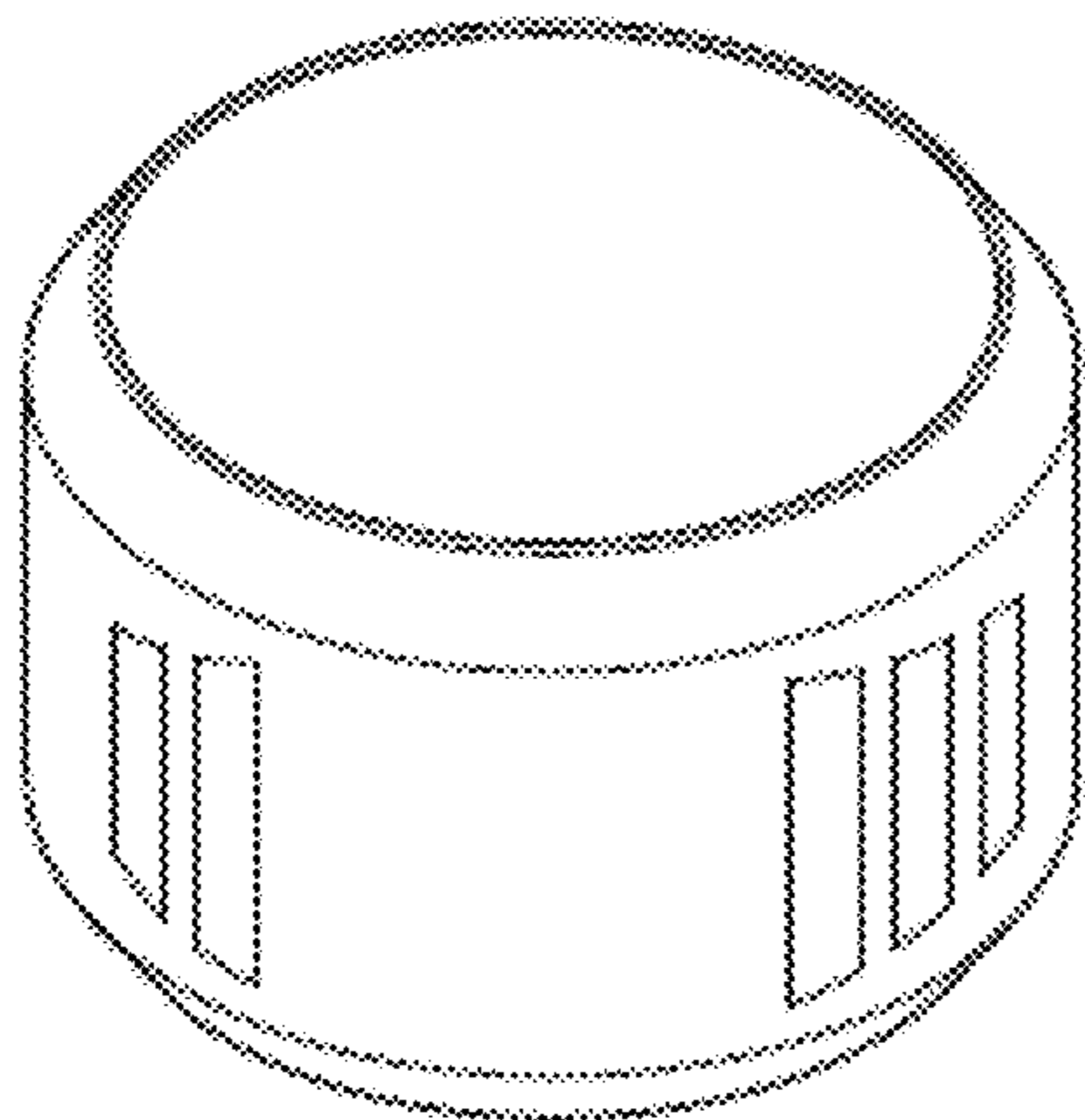


Fig. 29

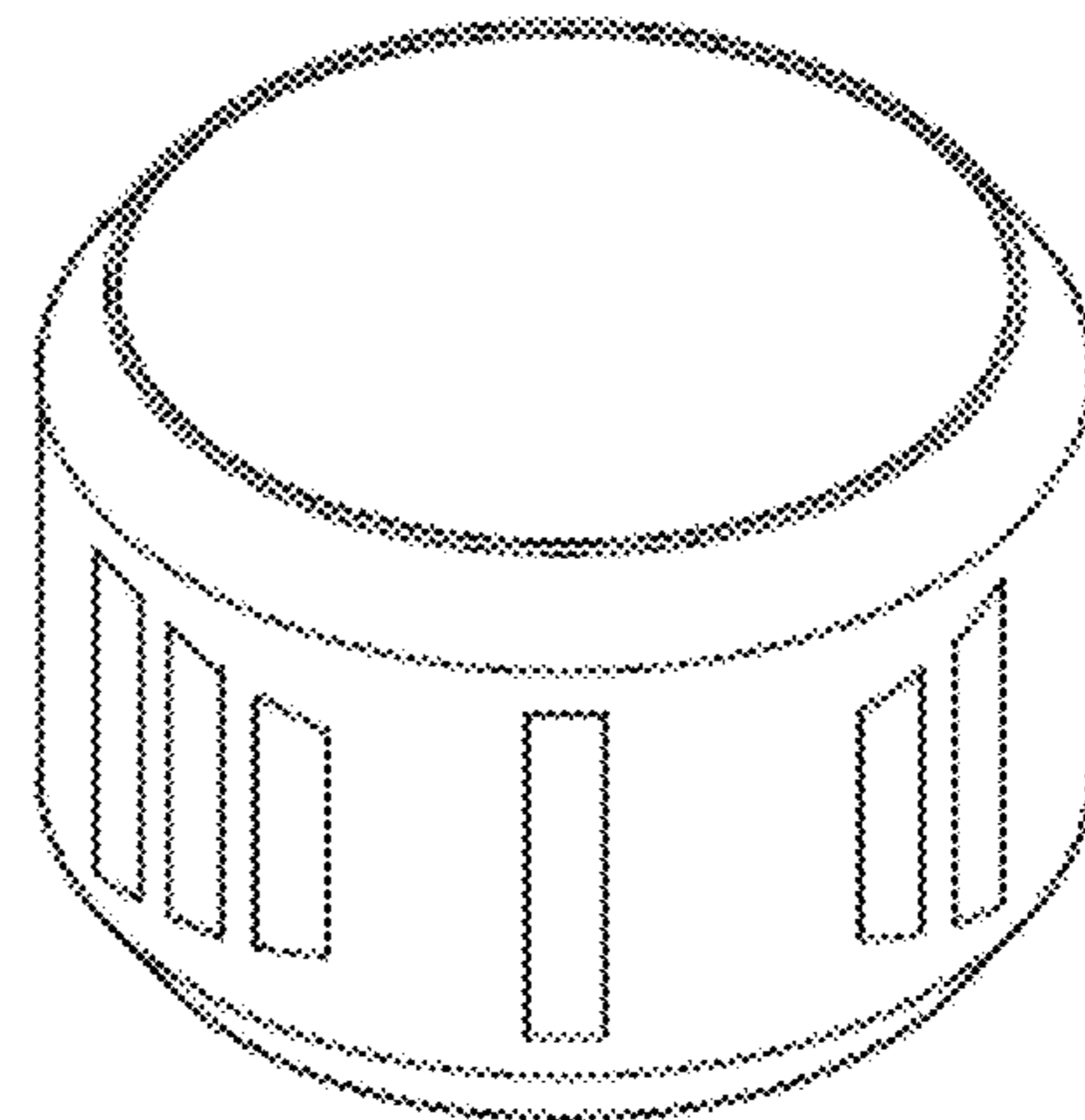


Fig. 30

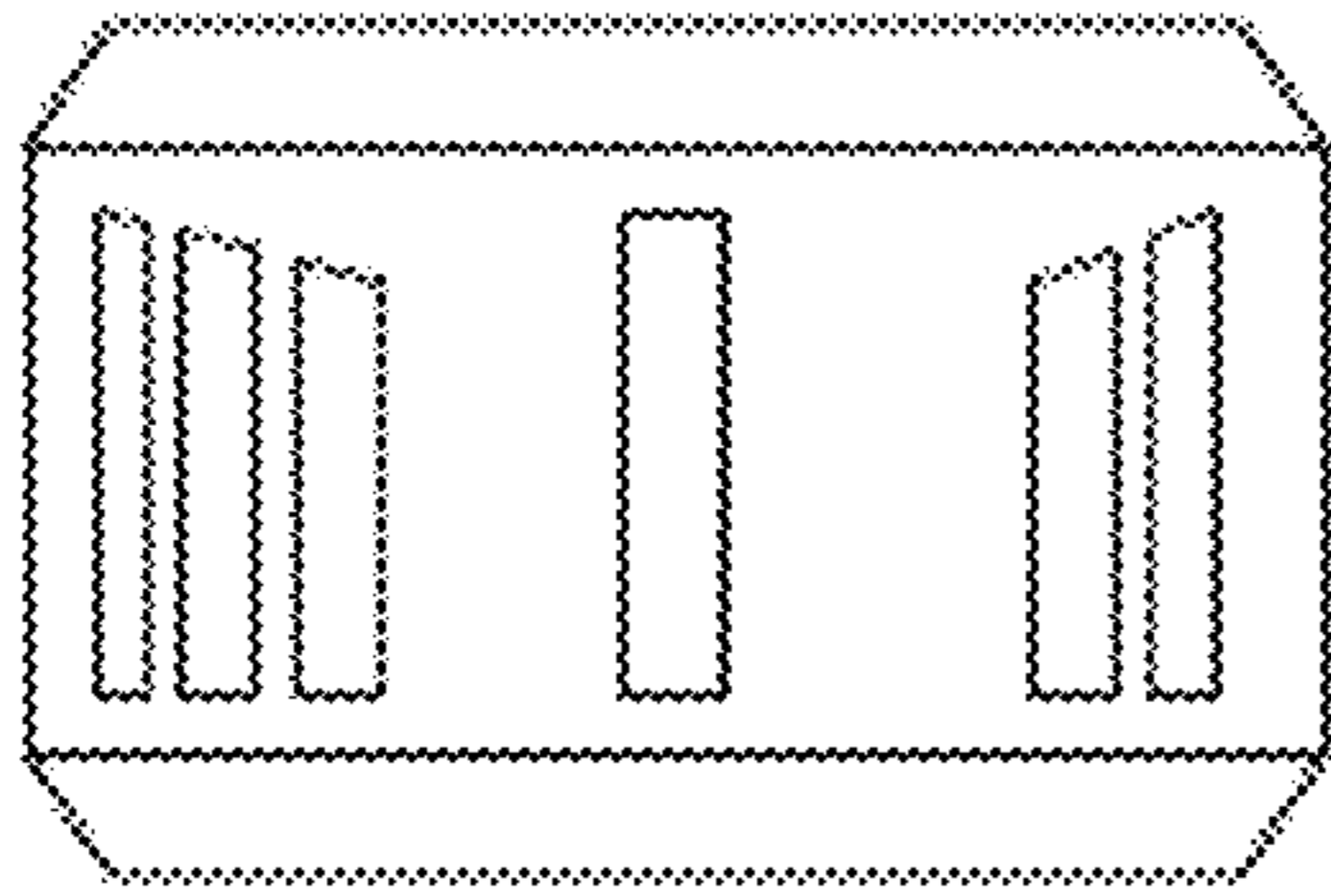


Fig. 31

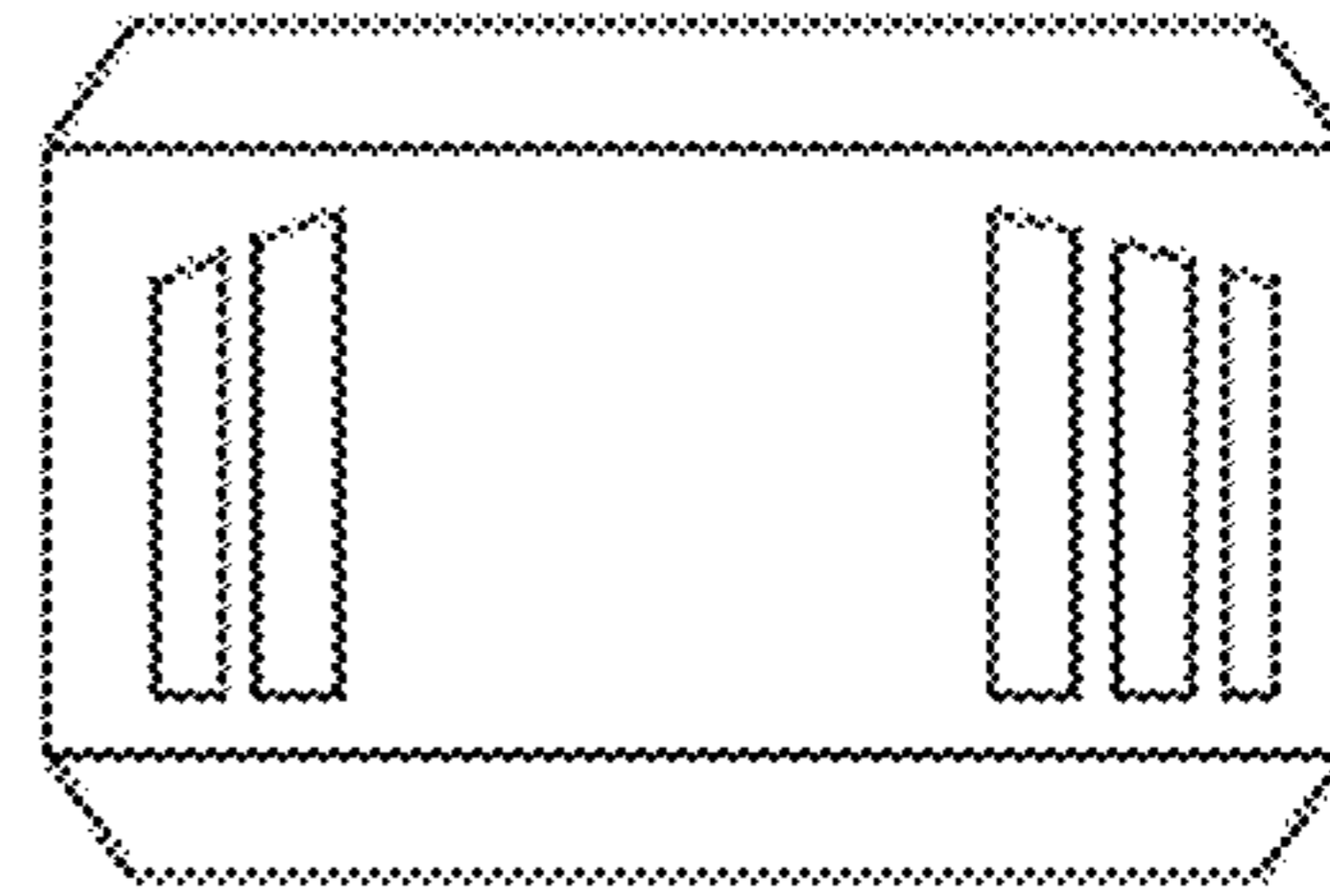


Fig. 32

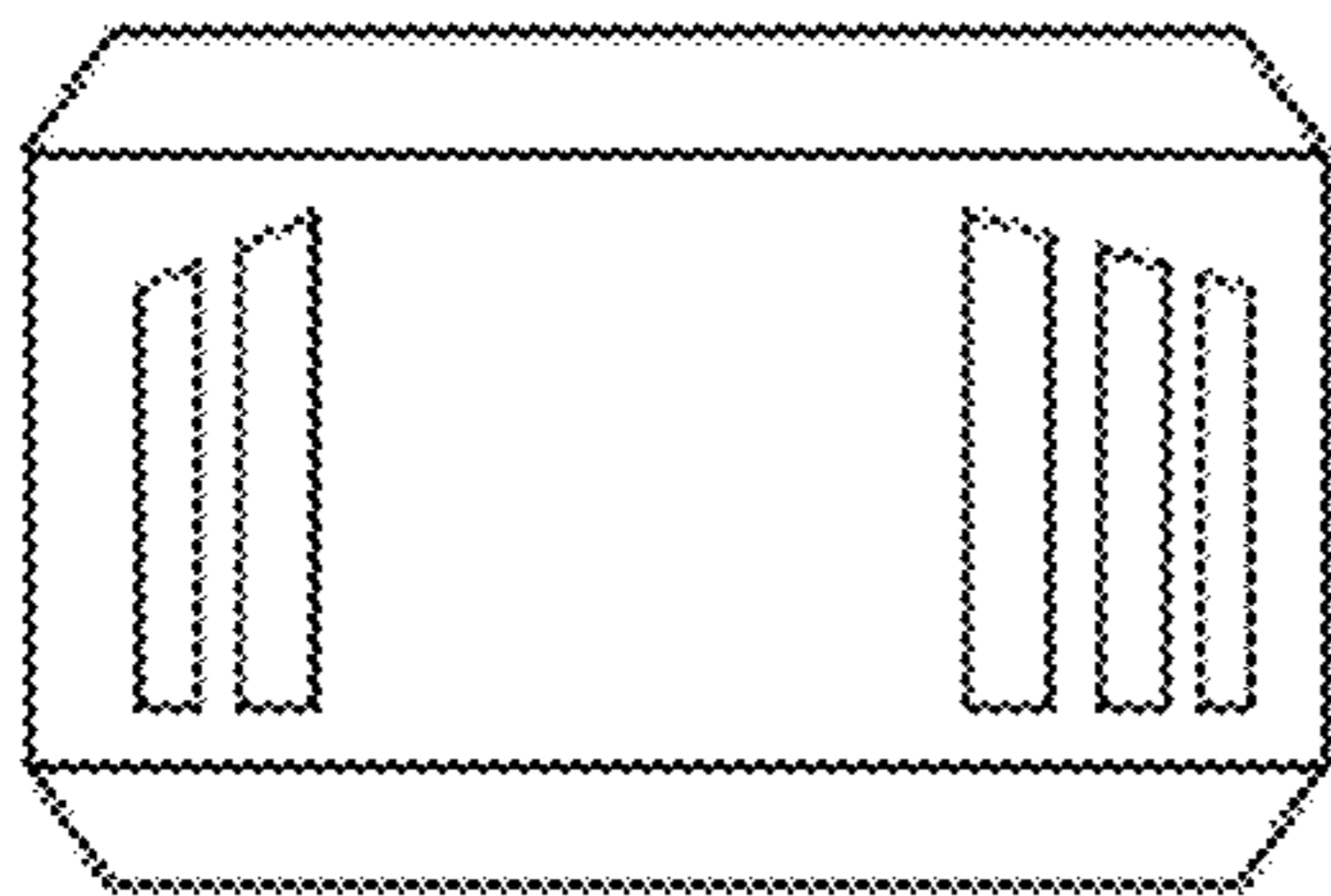


Fig. 33

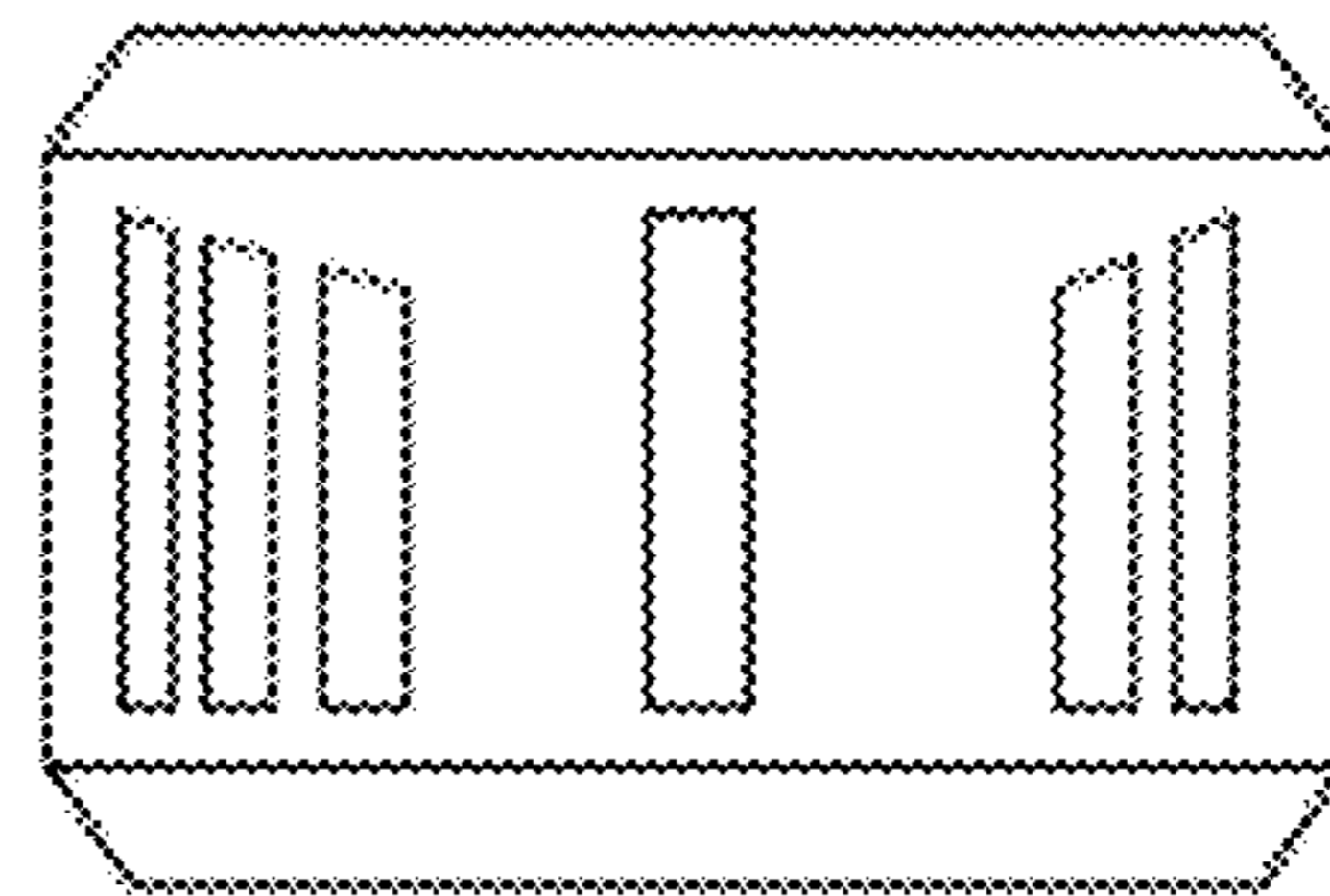


Fig. 34

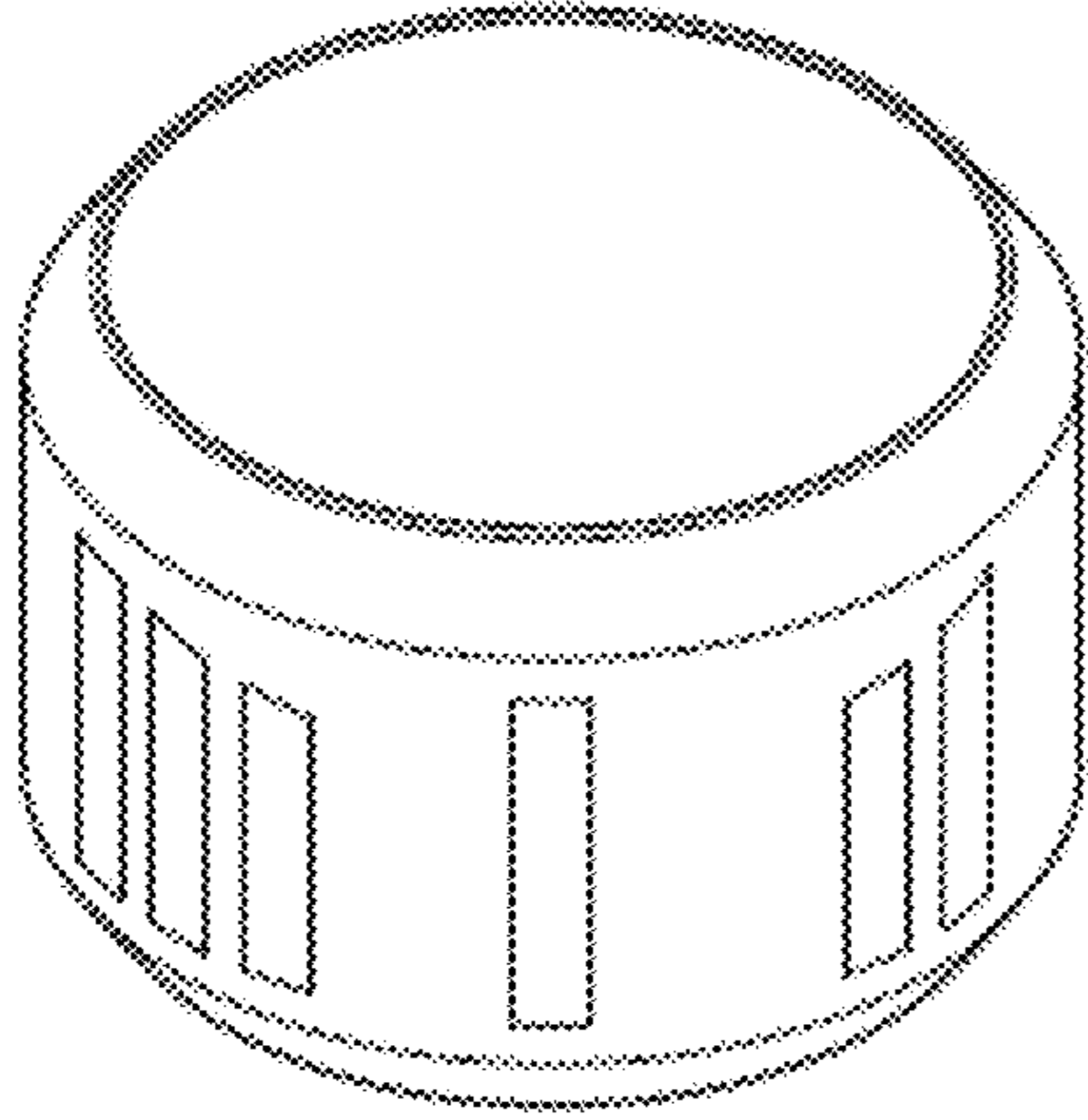


Fig. 35

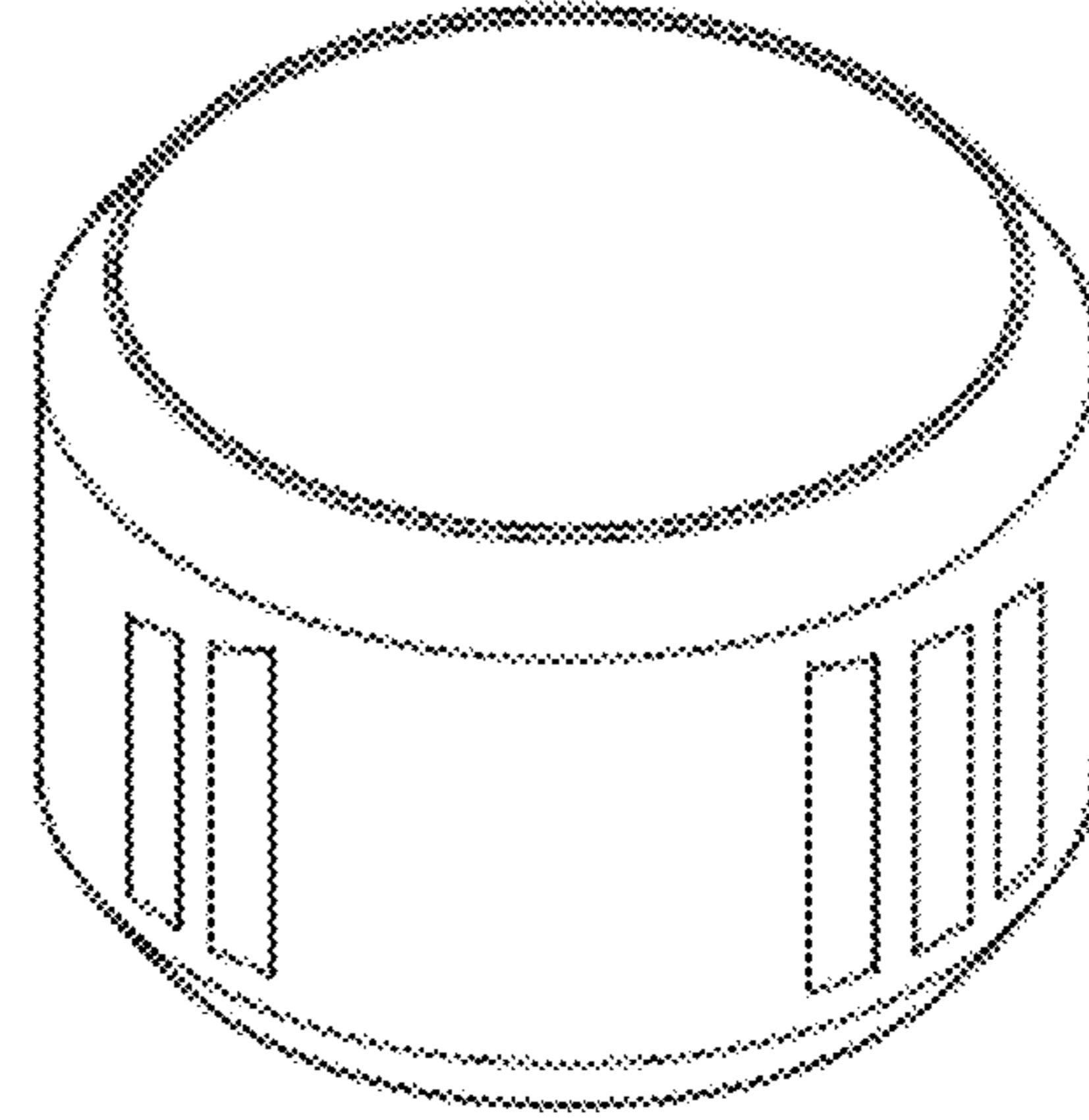


Fig. 36

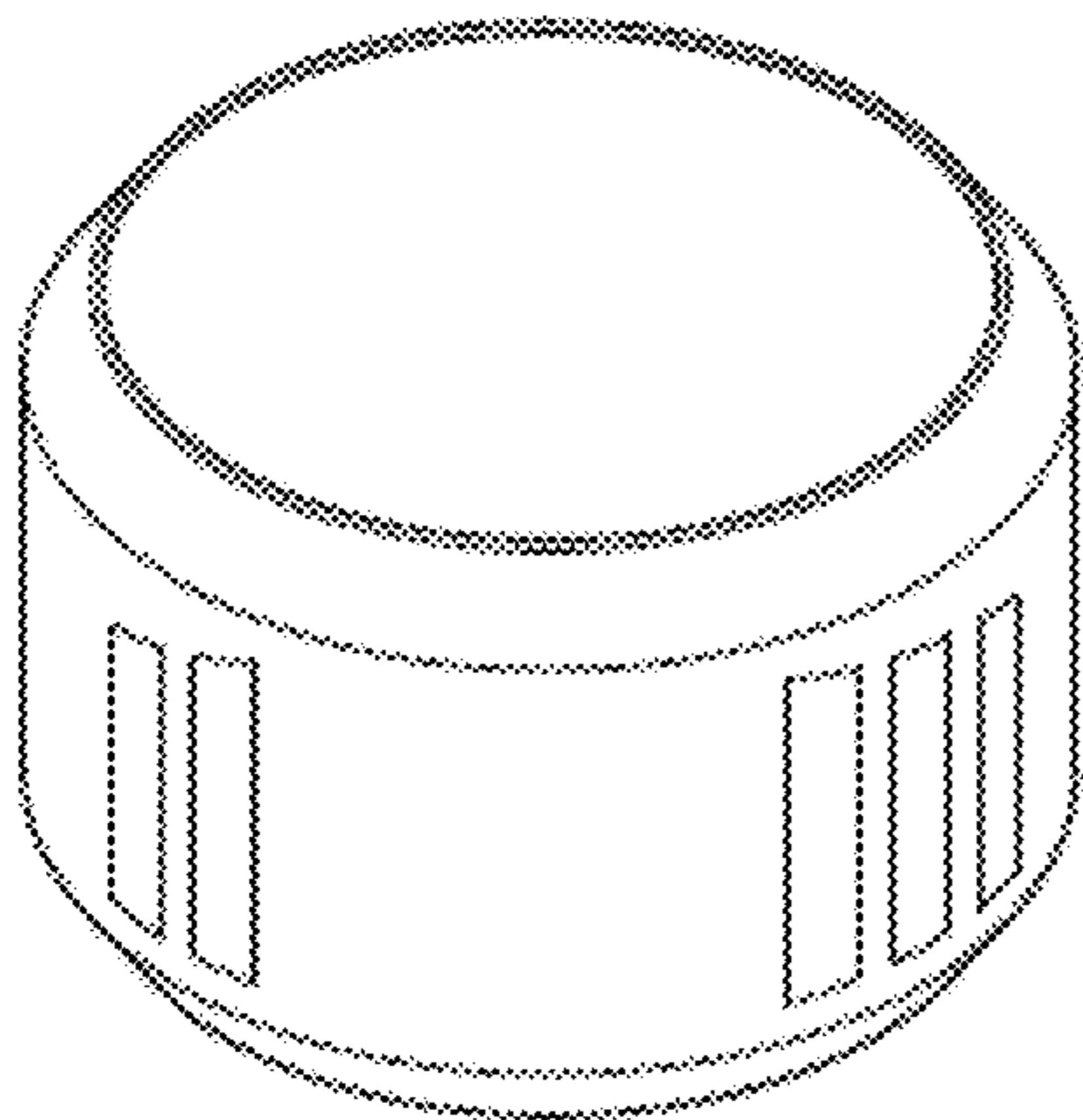


Fig. 37

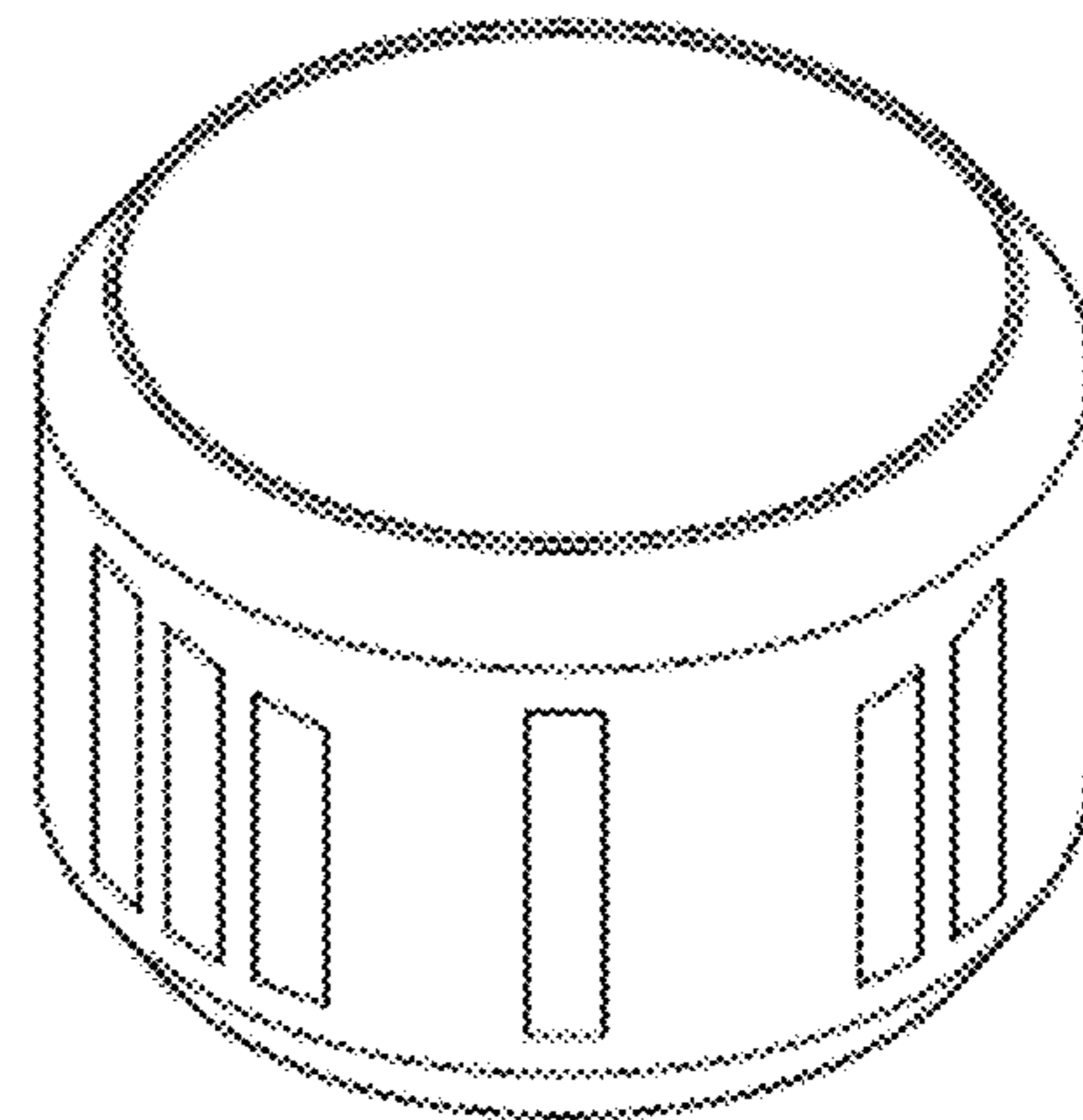


Fig. 38



Fig. 39

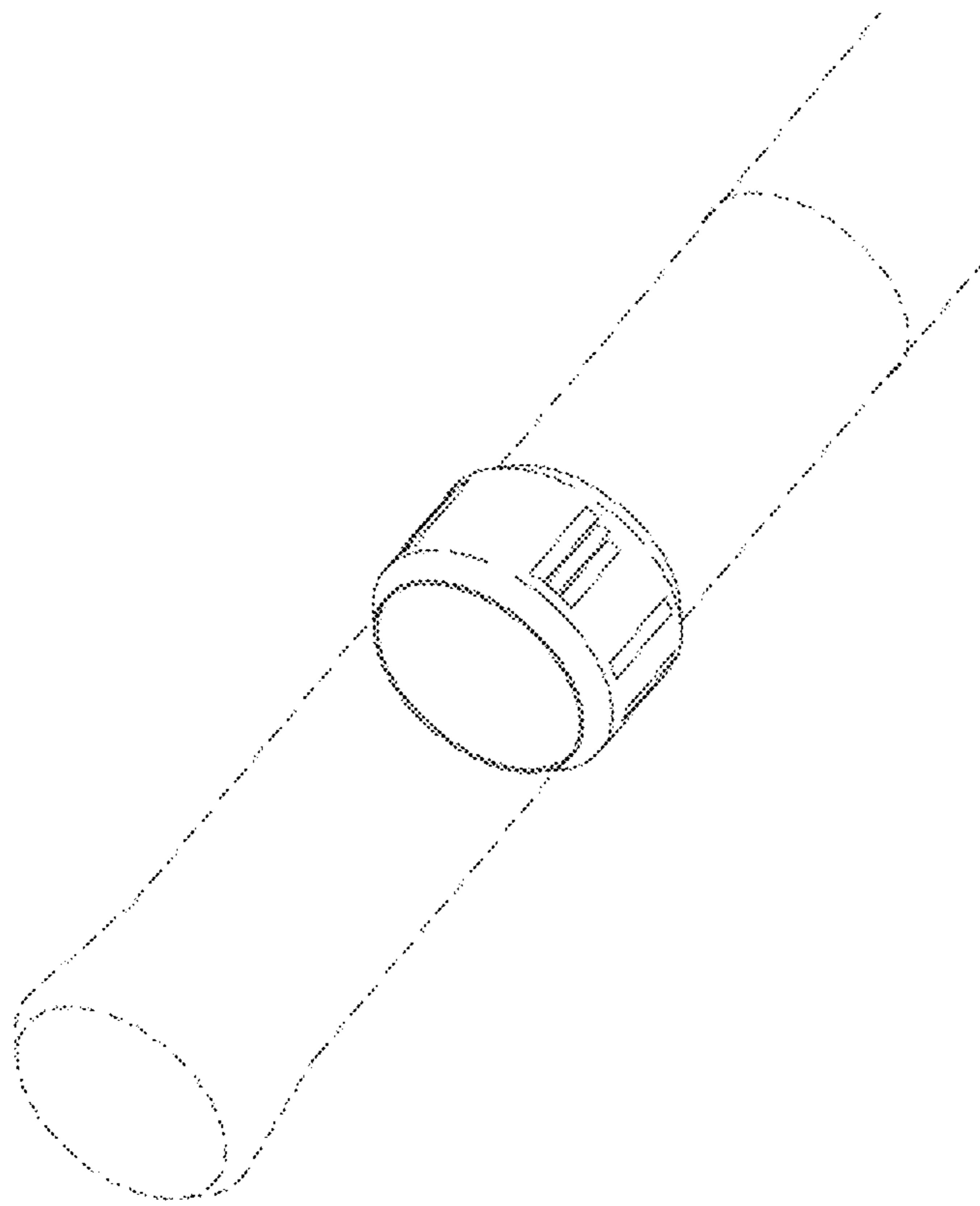


Fig. 40