



US00D828881S

(12) **United States Design Patent** (10) **Patent No.:** **US D828,881 S**
Lee (45) **Date of Patent:** **** Sep. 18, 2018**

(54) **TOY GUN**
(71) Applicant: **APS Limited**, Hong Kong (HK)
(72) Inventor: **Chi Keung Lee**, Hong Kong (HK)
(**) Term: **15 Years**
(21) Appl. No.: **29/595,138**
(22) Filed: **Feb. 24, 2017**
(51) **LOC (11) Cl.** **21-01**
(52) **U.S. Cl.**
USPC **D21/574; D21/573**
(58) **Field of Classification Search**
USPC D21/567, 570-575; D22/100-104,
D22/108-109; 124/41.1, 45, 49, 50, 51.1,
124/55, 56, 69, 70-79, 80, 82
CPC F41C 3/00; F41C 3/005; F41C 3/02; F41C
3/04; F41C 3/06; F41C 3/14; F41C 3/16;
F41C 9/02; F41C 9/04; F41C 9/06
See application file for complete search history.

(56) **References Cited**

U.S. PATENT DOCUMENTS

D293,357 S * 12/1987 Ruger D22/108
D583,896 S * 12/2008 McGarry D22/104
D593,629 S * 6/2009 Bantle D22/104
D598,065 S * 8/2009 Vukovic D22/104
D627,028 S * 11/2010 Coulombier D22/104
D676,094 S * 2/2013 Hu D21/574

D681,131 S * 4/2013 Su D21/574
D688,764 S * 8/2013 Yigit D22/104
D690,374 S * 9/2013 Lee D21/574
D744,049 S * 11/2015 Chu D21/574
D754,802 S * 4/2016 Martelli D21/574
D755,324 S * 5/2016 Martelli D22/104
D755,907 S * 5/2016 Hu D21/574
D791,262 S * 7/2017 Brown D22/104

* cited by examiner

Primary Examiner — Robin V Webster

Assistant Examiner — Keith J Wilson

(74) *Attorney, Agent, or Firm* — Wayne & King LLC

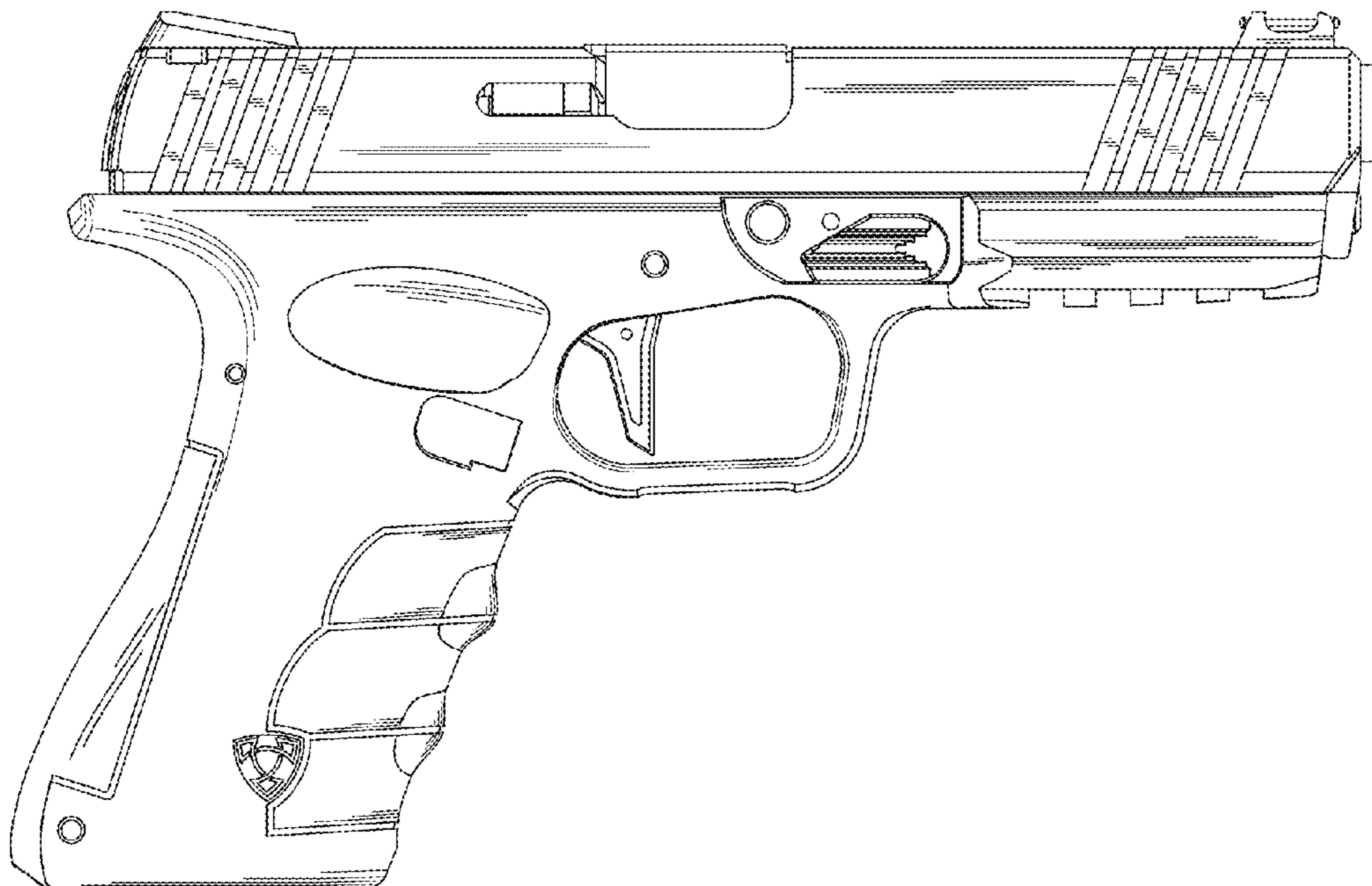
(57) **CLAIM**

The ornamental design for a toy gun, as shown and described.

DESCRIPTION

FIG. 1 is a front view of the toy gun showing my new design;
FIG. 2 is a rear view thereof;
FIG. 3 is a left side view thereof;
FIG. 4 is a right side view thereof;
FIG. 5 is a top view thereof;
FIG. 6 is a bottom view thereof;
FIG. 7 is a perspective view thereof; and,
FIG. 8 is another perspective view thereof.
The broken lines shown depict portions of the toy gun that form no part of the claimed design.

1 Claim, 7 Drawing Sheets



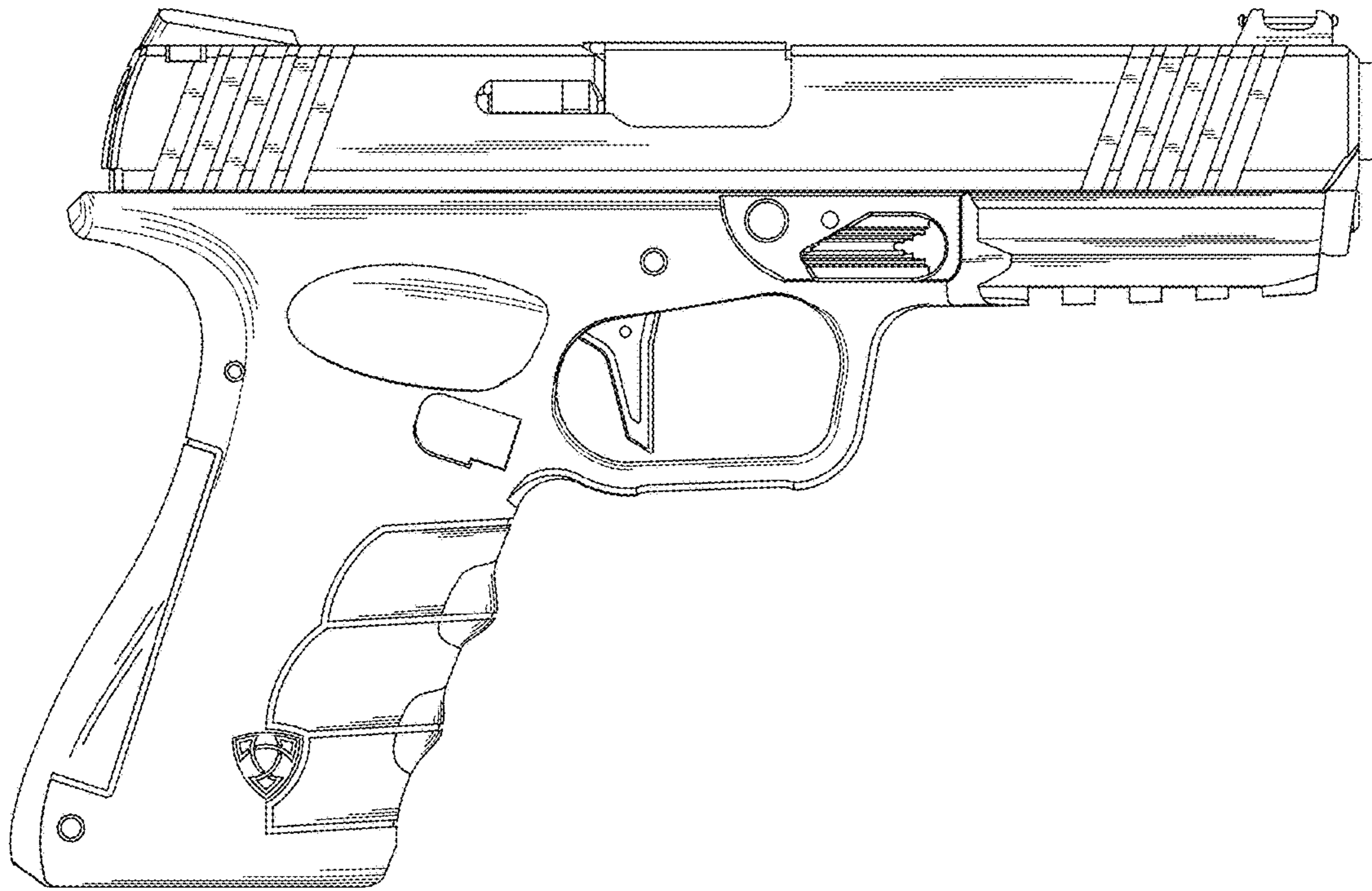


FIG. 1

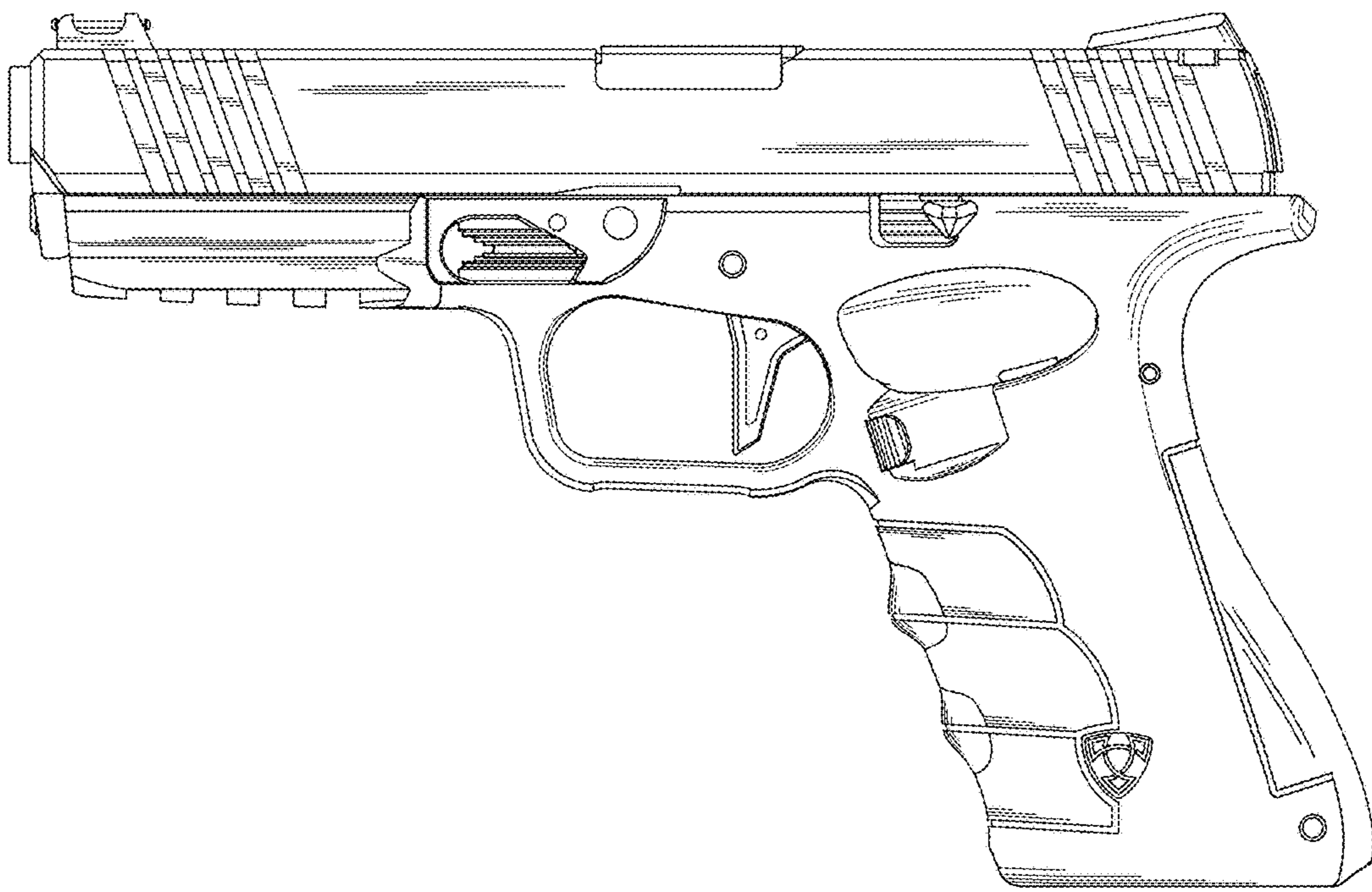


FIG.2

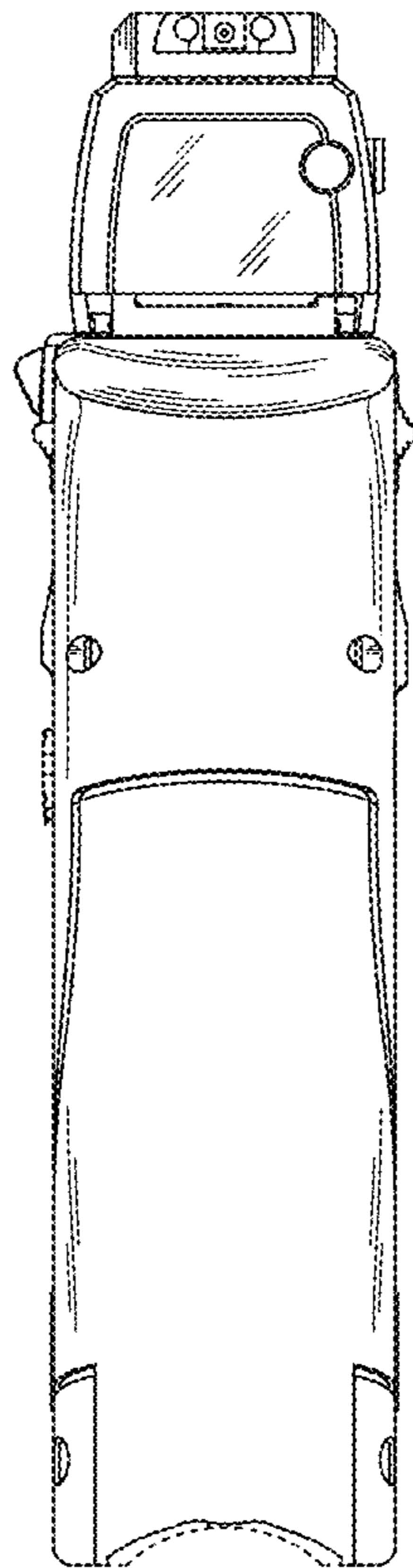


FIG. 3

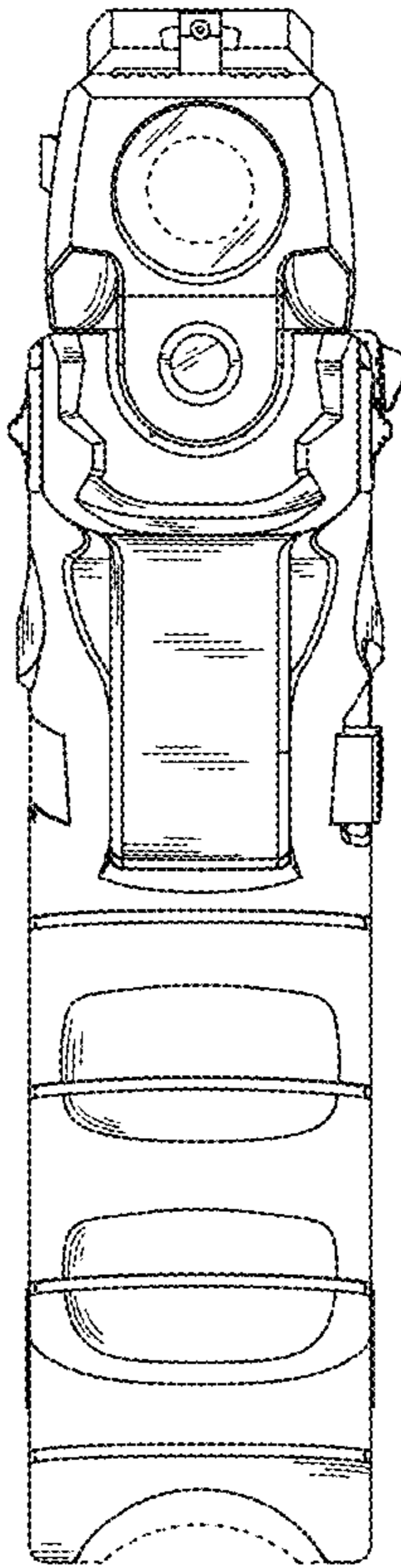


FIG.4

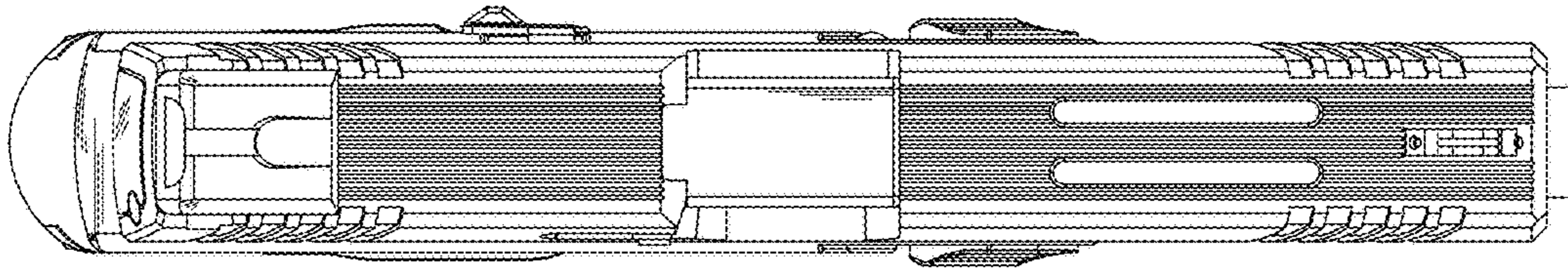


FIG. 5

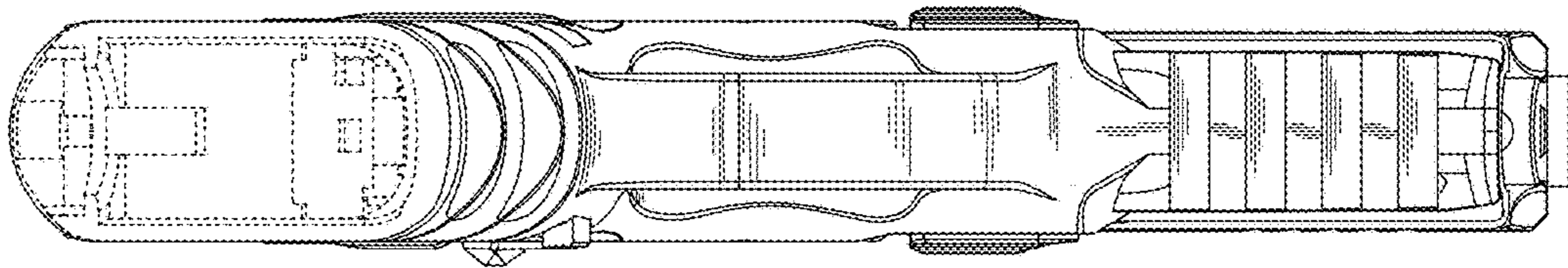


FIG. 6



FIG. 7

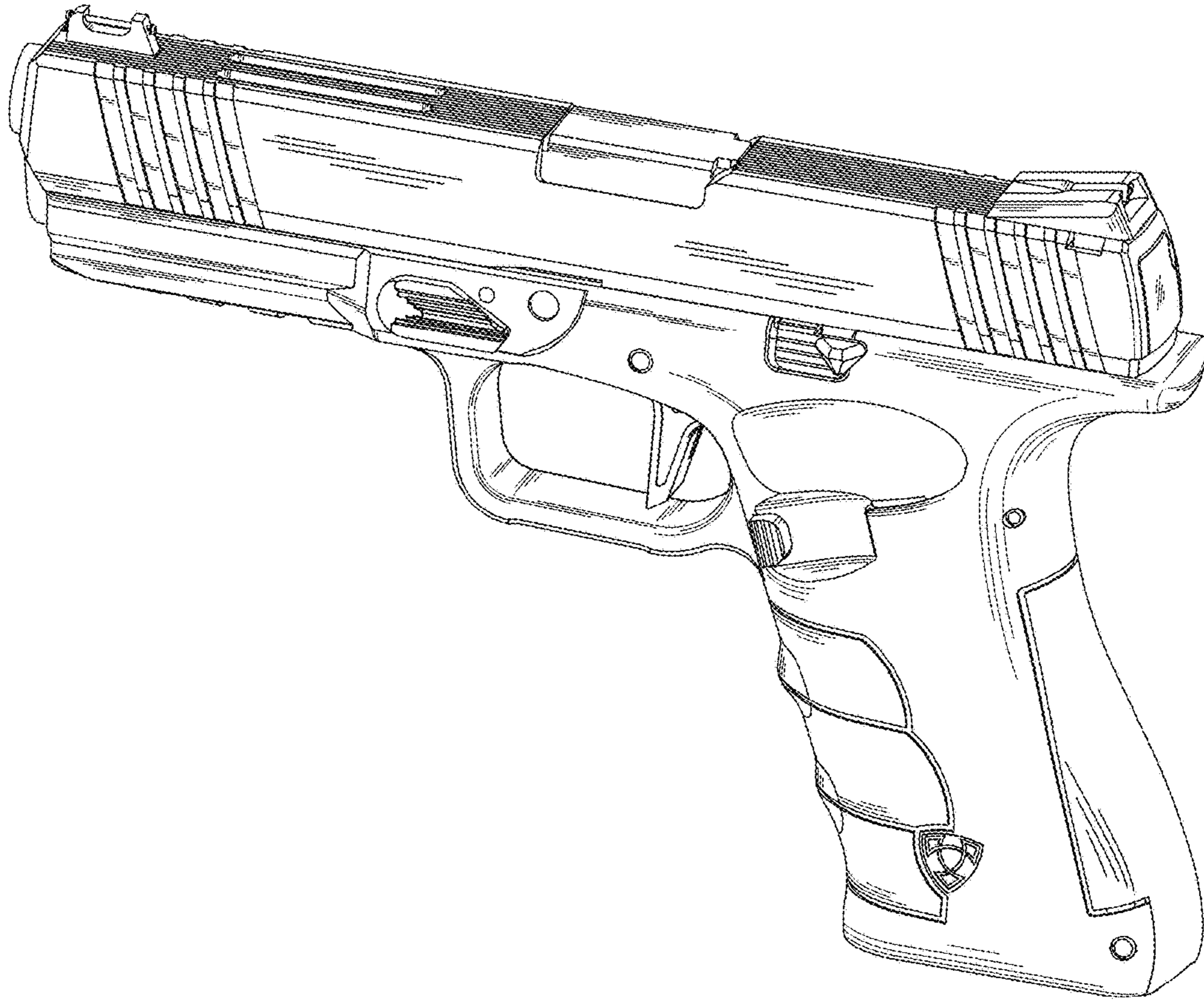


FIG.8