



US00D828879S

(12) **United States Design Patent**  
**Tiffin et al.**

(10) **Patent No.:** **US D828,879 S**  
(45) **Date of Patent:** **\*\* Sep. 18, 2018**

(54) **CONNECTOR FOR FLEXIBLE TRACK SETS**

(71) Applicant: **Mattel, Inc.**, El Segundo, CA (US)

(72) Inventors: **Andrew D. Tiffin**, Thousand Oaks, CA (US); **Benny M. Binshtock**, Calabasas, CA (US); **David Welby**, Santa Monica, CA (US)

(73) Assignee: **Mattel, Inc.**, El Segundo, CA (US)

(\*\*) Term: **15 Years**

(21) Appl. No.: **29/608,424**

(22) Filed: **Jun. 21, 2017**

(51) **LOC (11) Cl.** ..... **21-01**

(52) **U.S. Cl.**  
USPC ..... **D21/564**; D21/565; D21/540

(58) **Field of Classification Search**  
USPC ..... D21/540, 564, 565  
CPC ..... E01B 23/00; E01B 23/02; E01B 23/04;  
E01B 23/06; A63H 18/00; A63H 18/02;  
A63H 18/021; A63H 19/00; A63H 19/30;  
A63H 19/32; A63H 21/00

See application file for complete search history.

(56) **References Cited**

U.S. PATENT DOCUMENTS

3,228,607 A	1/1966	Robinette et al.	
3,581,988 A	6/1971	Kin et al.	
3,624,956 A	12/1971	Dunn et al.	
3,712,539 A *	1/1973	Staats	A63H 18/02 238/10 E
3,712,540 A *	1/1973	Yamasaki	A63H 18/02 238/10 E
3,747,262 A	7/1973	Endres	
4,054,393 A	10/1977	Talleri	
4,397,419 A	8/1983	Fischer	
4,461,116 A *	7/1984	Bach	A63H 33/102 446/128
4,519,724 A	5/1985	Ribas	

5,405,080 A	4/1995	Yeung et al.	
5,579,997 A *	12/1996	Jackson	A63H 18/02 238/10 A
5,794,846 A *	8/1998	Barrett	A63H 19/30 104/126
6,601,774 B1	8/2003	Kasimoff	
7,111,560 B1 *	9/2006	Frost	A63H 19/30 104/265
D718,822 S *	12/2014	Lee	D21/565
9,061,218 B2	6/2015	DiBartolo et al.	
9,345,980 B2	5/2016	Lee	
2005/0247800 A1	11/2005	Pyrce	
2005/0287905 A1	12/2005	Olivier	
2006/0080928 A1	4/2006	Kichijo et al.	
2012/0324708 A1	12/2012	Minin	
2014/0084074 A1	3/2014	O'Connor et al.	

(Continued)

*Primary Examiner* — Robin V Webster

*Assistant Examiner* — Keith J Wilson

(74) *Attorney, Agent, or Firm* — Kolisch Hartwell, P.C.

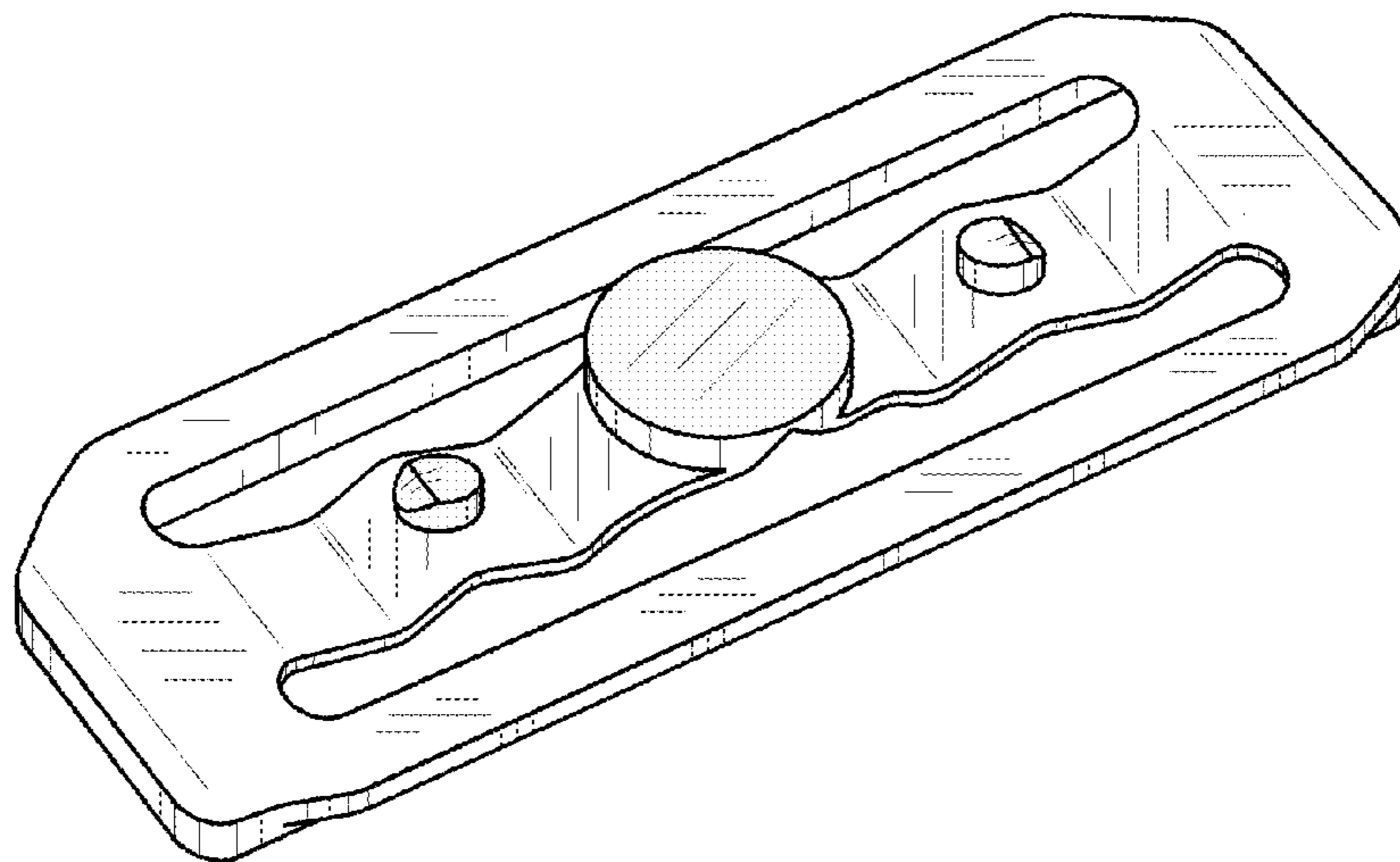
(57) **CLAIM**

The ornamental design for connector for flexible track sets, as shown and described.

**DESCRIPTION**

FIG. 1 is a perspective view of the top, one end and side of a connector in accordance with the new design;  
FIG. 2 is an opposing perspective view of the bottom, another end and side thereof;  
FIG. 3 is a top plan view thereof;  
FIG. 4 is a bottom plan view thereof;  
FIG. 5 is a side elevation view thereof, the opposite side elevation view being identical; and,  
FIG. 6 is a longitudinal end view thereof, the opposing longitudinal end view being identical.  
The broken line(s) shown in the drawings are for illustrative purposes only and form no part of the claimed design.

**1 Claim, 3 Drawing Sheets**



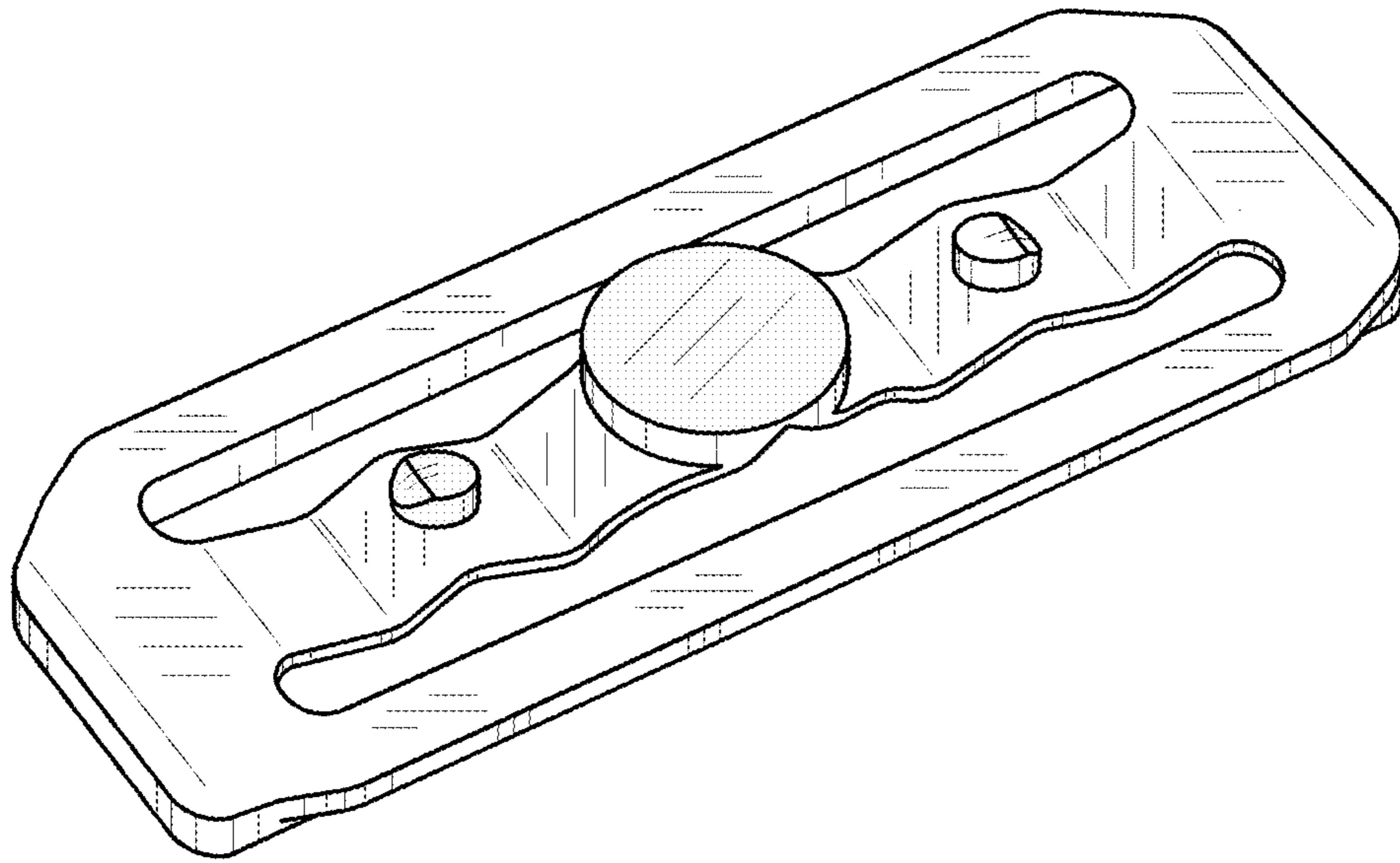
(56)

**References Cited**

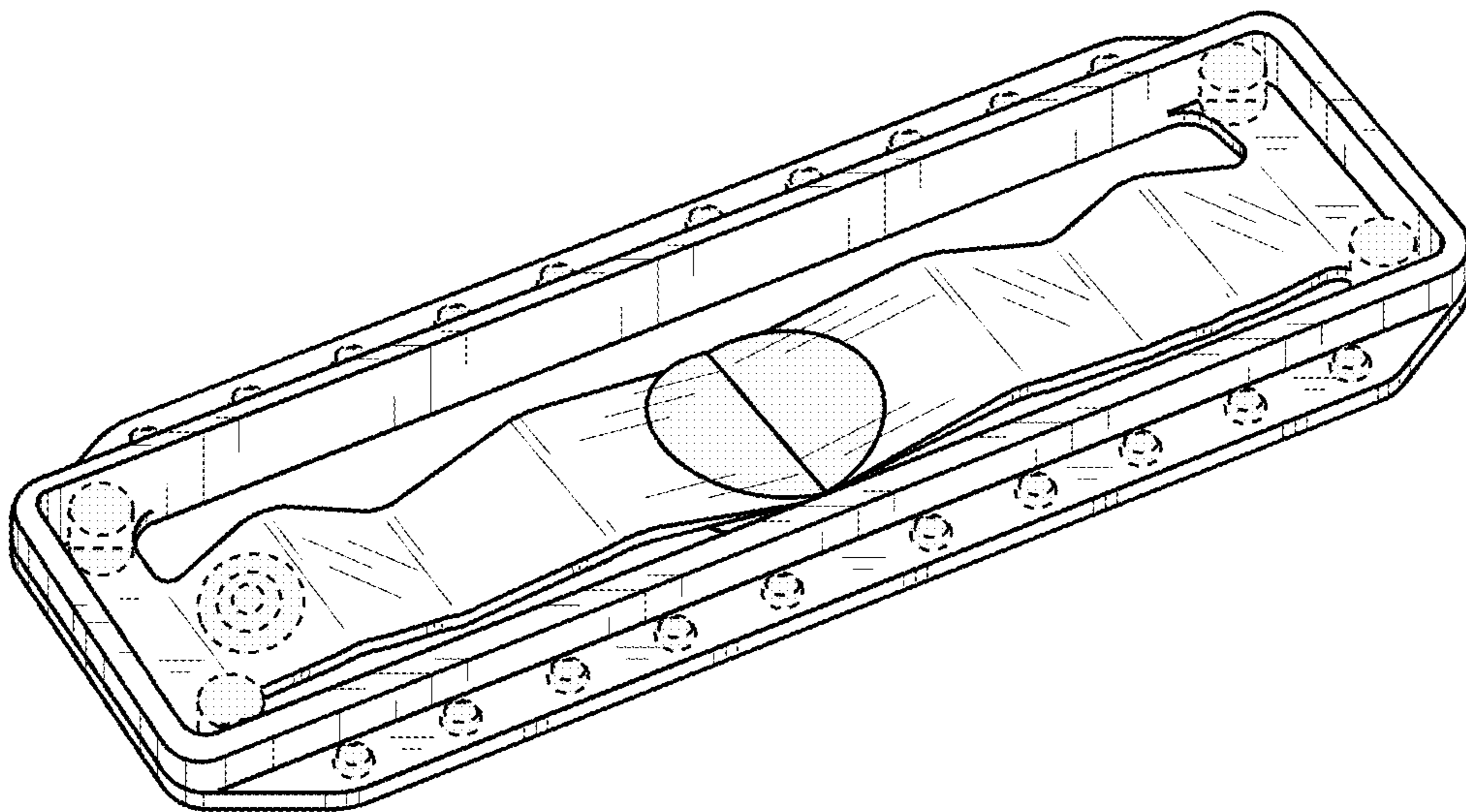
U.S. PATENT DOCUMENTS

2015/0097046 A1\* 4/2015 Lee ..... A63H 19/30  
238/151  
2016/0228783 A1 8/2016 Fiebig et al.

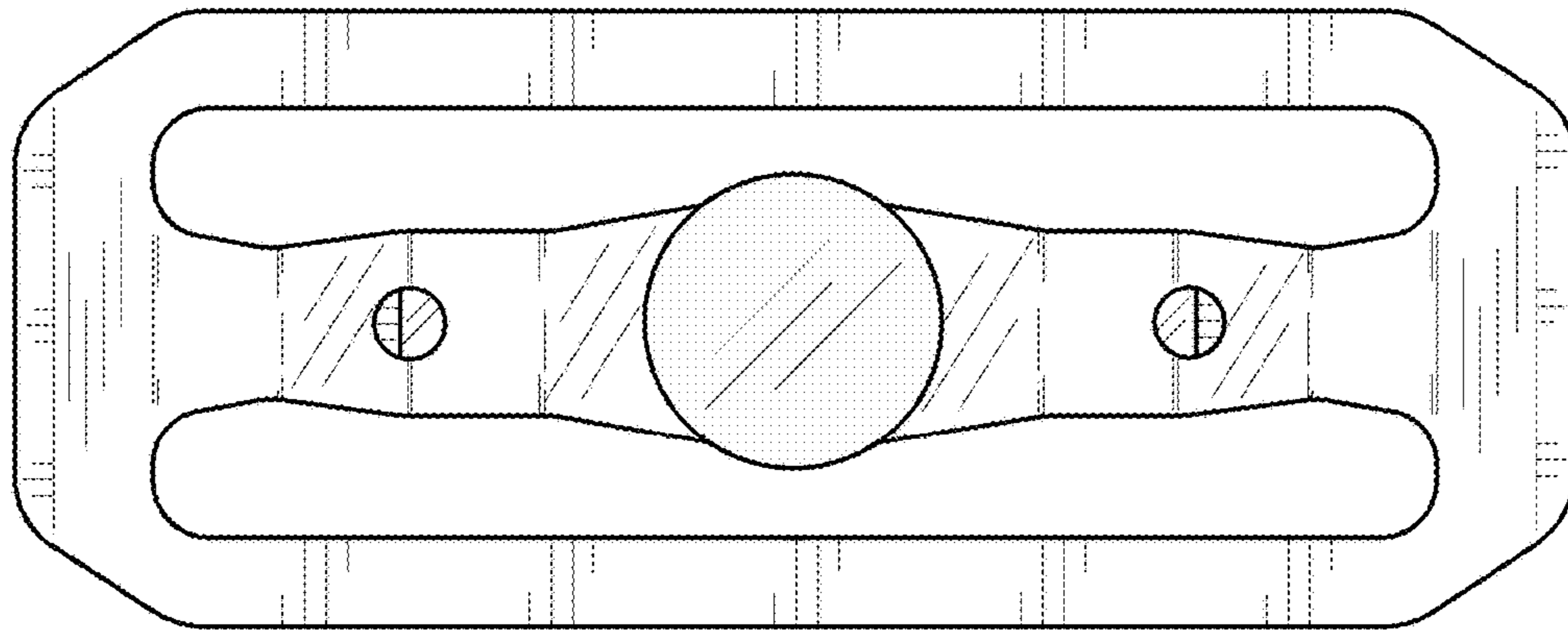
\* cited by examiner



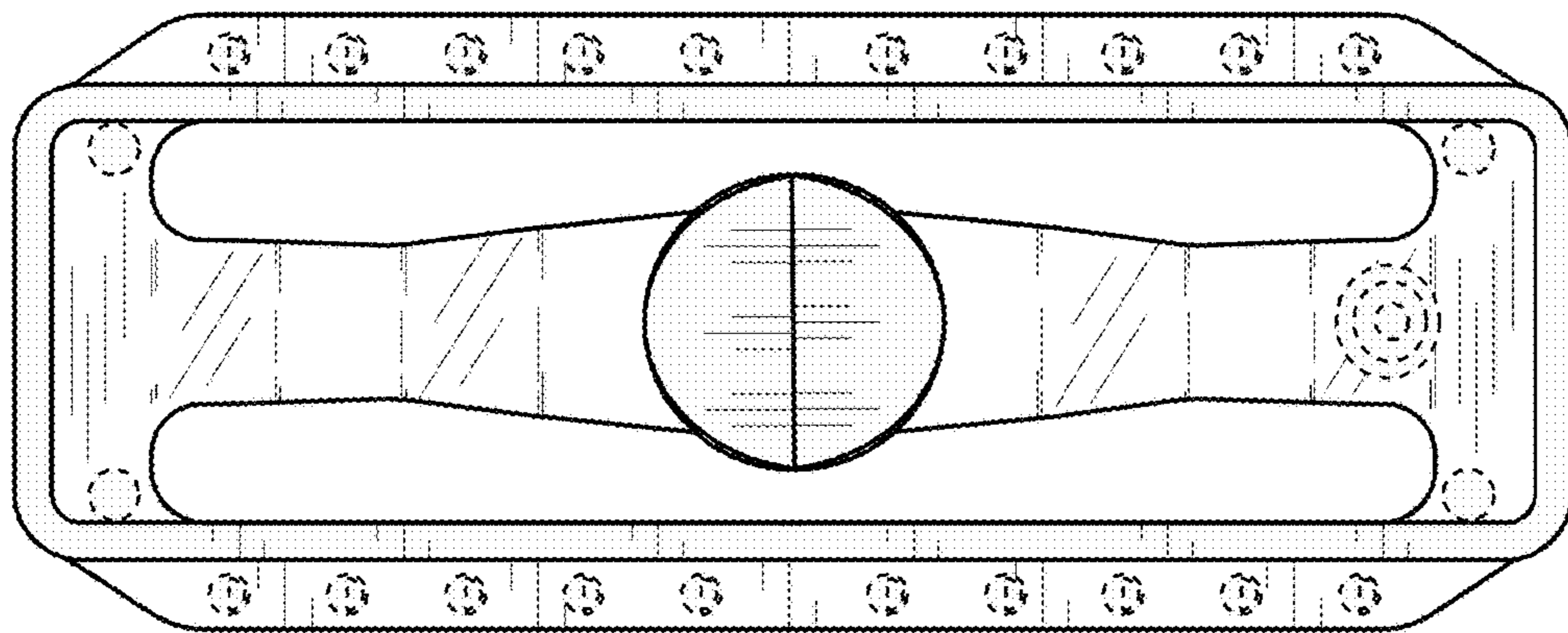
**Fig. 1**



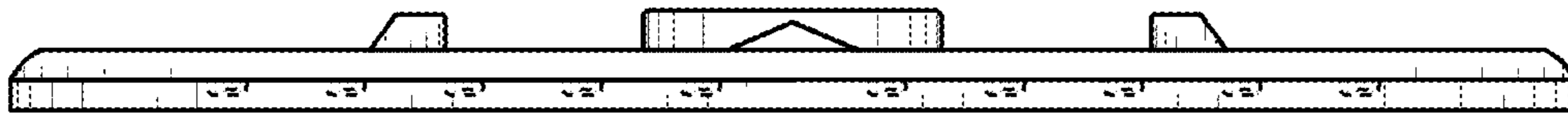
**Fig. 2**



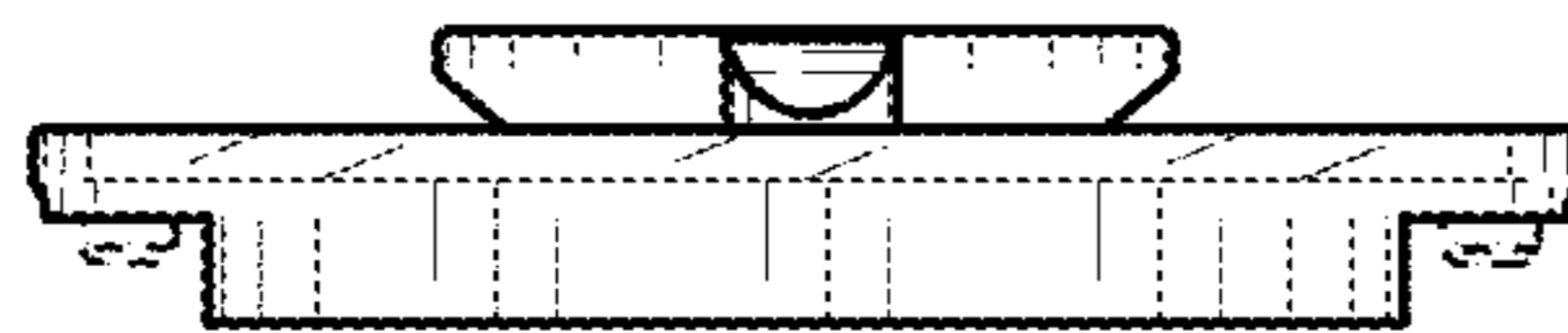
**Fig. 3**



**Fig. 4**



*Fig. 5*



*Fig. 6*