



US00D828878S

(12) **United States Design Patent** (10) **Patent No.:** **US D828,878 S**  
**Sprowl** (45) **Date of Patent:** **\*\* \*Sep. 18, 2018**

(54) **WHEEL FOR A MODEL VEHICLE**

FOREIGN PATENT DOCUMENTS

(71) Applicant: **TRAXXAS LP**, McKinney, TX (US)

TW D114104 S 12/2006  
TW D141989 S 8/2011  
TW D143556 S 11/2011

(72) Inventor: **Jory Sprowl**, Wolfe City, TX (US)

(73) Assignee: **Traxxas, LP**, McKinney, TX (US)

OTHER PUBLICATIONS

(\*) Notice: This patent is subject to a terminal disclaimer.

KMC XD Series XD228 Machete Desert Beadlock Machined Custom Wheels Rims; <http://www.customwheelsexpress.com/custom-wheels-by-brand-xd-series-by-kmc-kmc-xd-series-xd228-machete-desert-beadlock-machined-custom-wheels-rims-p-2930.html>; Aug. 2016.

(\*\*) Term: **15 Years**

(Continued)

(21) Appl. No.: **29/591,547**

*Primary Examiner* — Holly H Baynham

(22) Filed: **Jan. 20, 2017**

*Assistant Examiner* — Keith J Wilson

(51) **LOC (11) Cl.** ..... **21-01**

(74) *Attorney, Agent, or Firm* — Daryl R. Wright; Greg Carr

(52) **U.S. Cl.**

USPC ..... **D21/563**; D12/204

(58) **Field of Classification Search**

USPC ..... D12/204–213; D21/563

CPC .... B60B 7/00; B60B 7/02; B60B 7/04; B60B

7/01; B60B 7/06; B60B 3/02; B60B 3/04;

B60B 3/06; B60B 3/10; B60B 1/00;

B60B 1/08; B60B 1/10; B60B 1/12

See application file for complete search history.

(57) **CLAIM**

I claim the ornamental design for a wheel for a model vehicle, as shown and described.

**DESCRIPTION**

FIG. 1 is an upper, left, front perspective view of a wheel for a model vehicle;

FIG. 2 is a left elevation view thereof;

FIG. 3 is a right elevation view thereof;

FIG. 4 is a top plan view thereof; and,

FIG. 5 is an upper, left, front perspective environmental use view of a wheel for a model vehicle mounted on a model vehicle platform.

In the drawings, the broken line showing of features of the wheel for a model vehicle illustrate portions of the wheel for a model vehicle that form no part of the claimed design; whereas, the broken line showing of the environmental use view depicts the wheel mounted on a model vehicle platform and is provided for the purposes of illustrating environmental use structure and context. The broken line showing of the model vehicle platform is not a part of the claimed design.

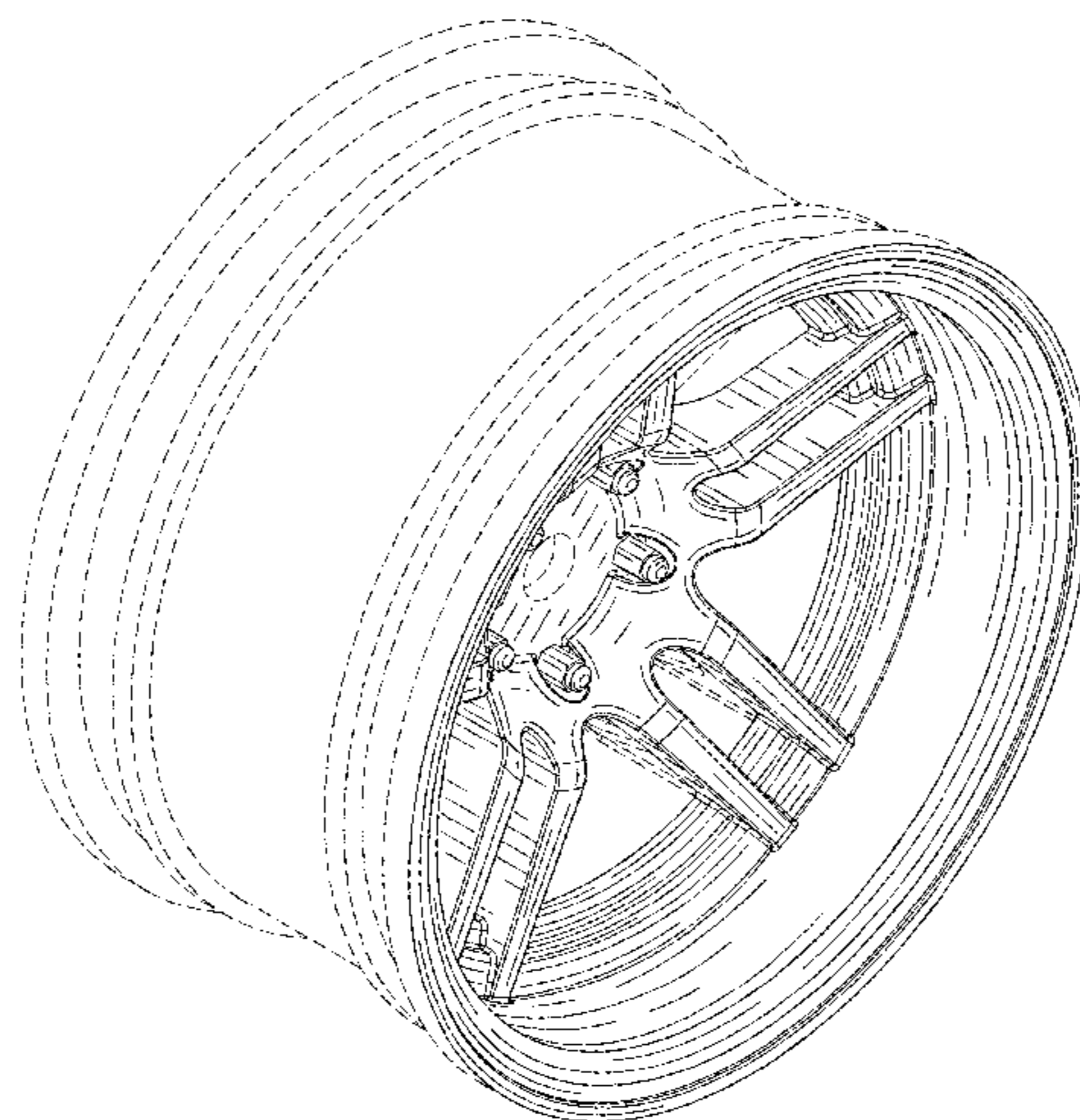
(56) **References Cited**

U.S. PATENT DOCUMENTS

D316,731 S	5/1991	Tsuchiya
D420,637 S	2/2000	Glade
D444,118 S	6/2001	Chung
D466,067 S	11/2002	Muzzarelli
D469,728 S	2/2003	Kataoka
D481,982 S	11/2003	Takechi
D492,234 S	6/2004	Kataoka
D499,683 S	12/2004	Kushartanto
D500,006 S	12/2004	Cahyono
D524,216 S	7/2006	Scheu
D530,757 S	10/2006	Jones
D534,968 S	1/2007	Proch

(Continued)

**1 Claim, 4 Drawing Sheets**



(56)

References Cited

U.S. PATENT DOCUMENTS

D536,293 S 2/2007 Brouillette et al.  
 D543,493 S 5/2007 Kim  
 D546,264 S 7/2007 Young  
 D569,778 S 5/2008 Kim  
 D570,758 S 6/2008 Bhambra  
 D579,398 S 10/2008 Kim  
 D583,292 S 12/2008 Chung  
 D587,181 S \* 2/2009 Musser ..... D12/209  
 D590,322 S 4/2009 Rak  
 D597,012 S 7/2009 Chung  
 D603,778 S 11/2009 Chung  
 D614,108 S 4/2010 Varga  
 D617,722 S 6/2010 Zhao  
 D619,072 S 7/2010 Gallert  
 D627,698 S 11/2010 Zhang  
 D628,135 S 11/2010 Zhao  
 D633,028 S 2/2011 Kim  
 D636,319 S 4/2011 Toth  
 D639,220 S 6/2011 Zhao  
 D662,868 S 7/2012 Furst et al.  
 D663,668 S \* 7/2012 Pollmann ..... D12/209  
 D670,227 S 11/2012 Chung  
 D671,875 S 12/2012 Camacho  
 D688,188 S \* 8/2013 Baum ..... D12/211  
 D697,008 S \* 1/2014 Juergens ..... D12/209  
 D697,010 S 1/2014 Lorinser  
 D719,893 S 12/2014 Kim  
 D727,822 S 4/2015 Wheel  
 D727,829 S 4/2015 Chung  
 D729,721 S \* 5/2015 Fahr-Becker ..... D12/211

D730,799 S 6/2015 Hans et al.  
 D741,240 S \* 10/2015 Melabiotis ..... D12/209  
 D743,315 S \* 11/2015 Perini ..... D12/209  
 D753,048 S 4/2016 Chan  
 D753,571 S \* 4/2016 Juergens ..... D12/211  
 D769,169 S \* 10/2016 Kumeya ..... D12/211  
 D769,785 S 10/2016 Wells  
 D780,654 S \* 3/2017 Gallert ..... D12/204  
 D784,238 S \* 4/2017 Chu ..... D12/211  
 D784,462 S 4/2017 Barajas  
 D787,407 S 5/2017 Chung  
 D790,427 S 6/2017 Palana  
 D791,057 S 7/2017 Johnson  
 D791,668 S 7/2017 Murase  
 D796,407 S \* 9/2017 Krause ..... D12/209  
 D799,394 S \* 10/2017 Yamashita ..... D12/209  
 D803,130 S 11/2017 Taylor  
 D805,455 S 12/2017 Kong  
 D805,990 S \* 12/2017 Mizutani ..... D12/209  
 D806,628 S \* 1/2018 Schell ..... D12/211  
 2017/0080350 A1 3/2017 Allmendinger et al.

OTHER PUBLICATIONS

MSA M21 LOK (Beadlock); <https://msawheels.com/wheels/m21-lok/>; Aug. 2016.  
 OMF Performance Products; Beadlocked Wheels; [https://www.omfperformance.com/beadlocked\\_wheels\\_uq.php](https://www.omfperformance.com/beadlocked_wheels_uq.php); Aug. 2016.  
 Taiwan IPO Search Report; completed Aug. 4, 2016; regarding Taiwan Design Patent Application No. 105301436.

\* cited by examiner

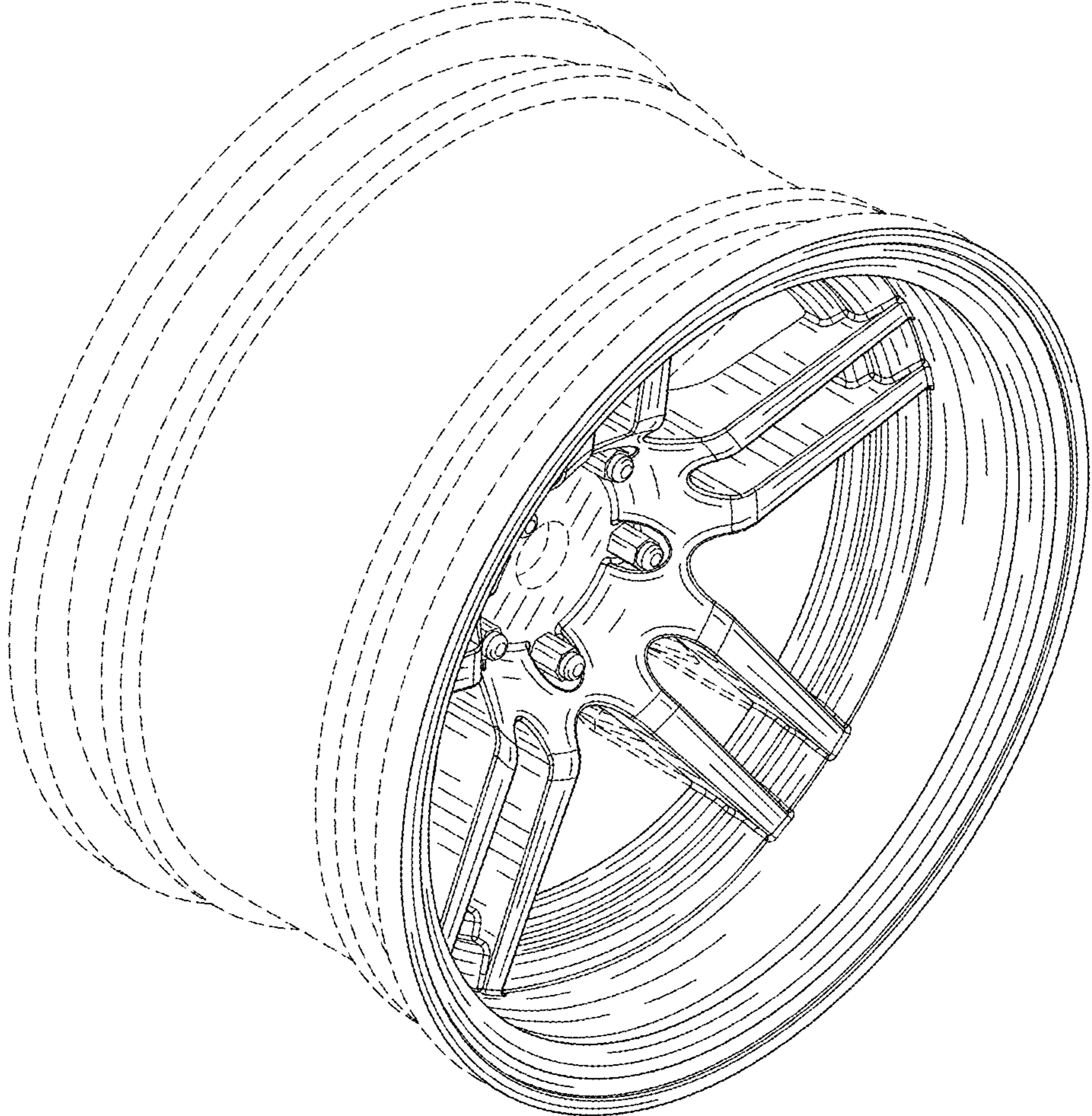


FIG. 1

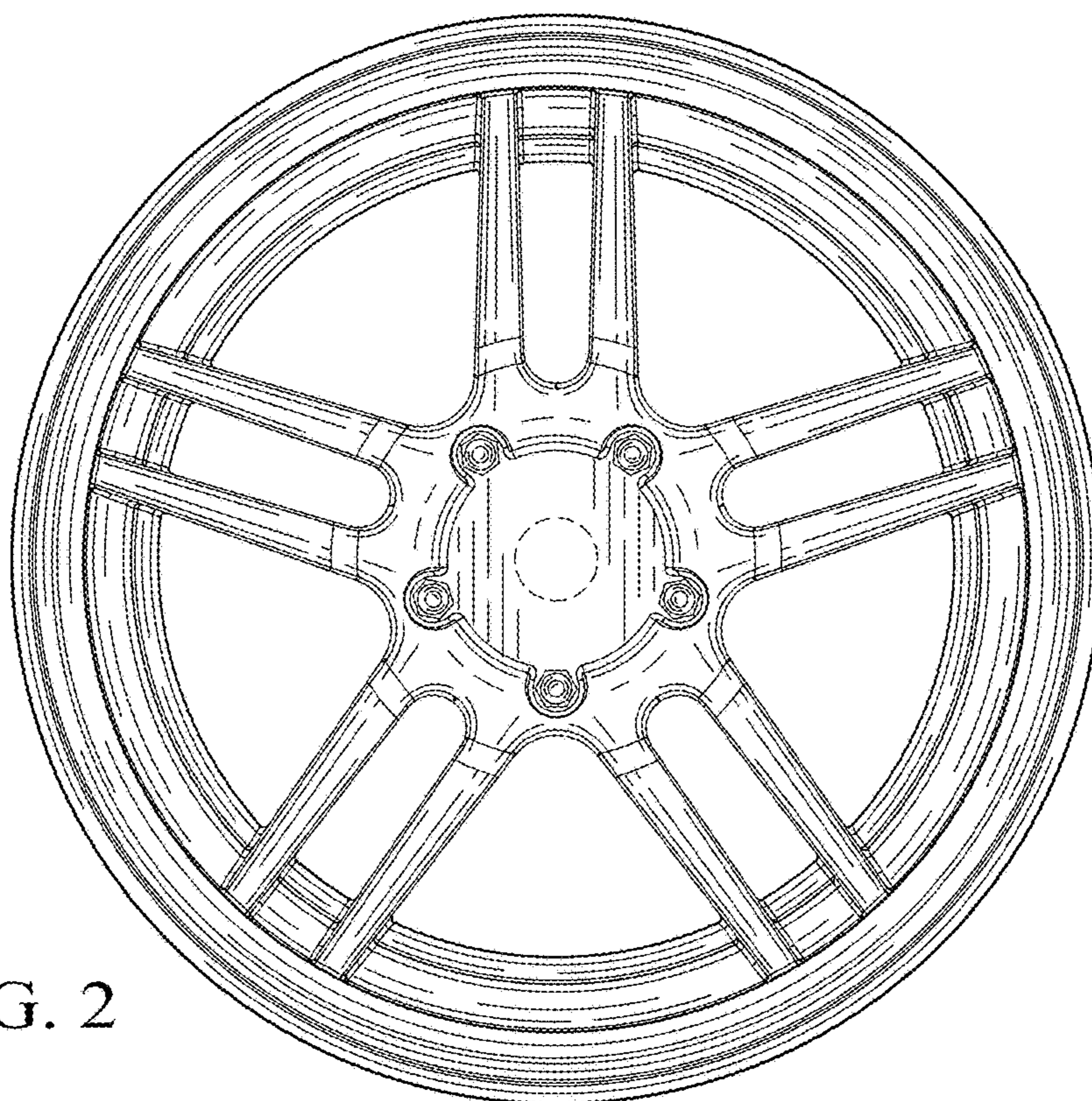


FIG. 2

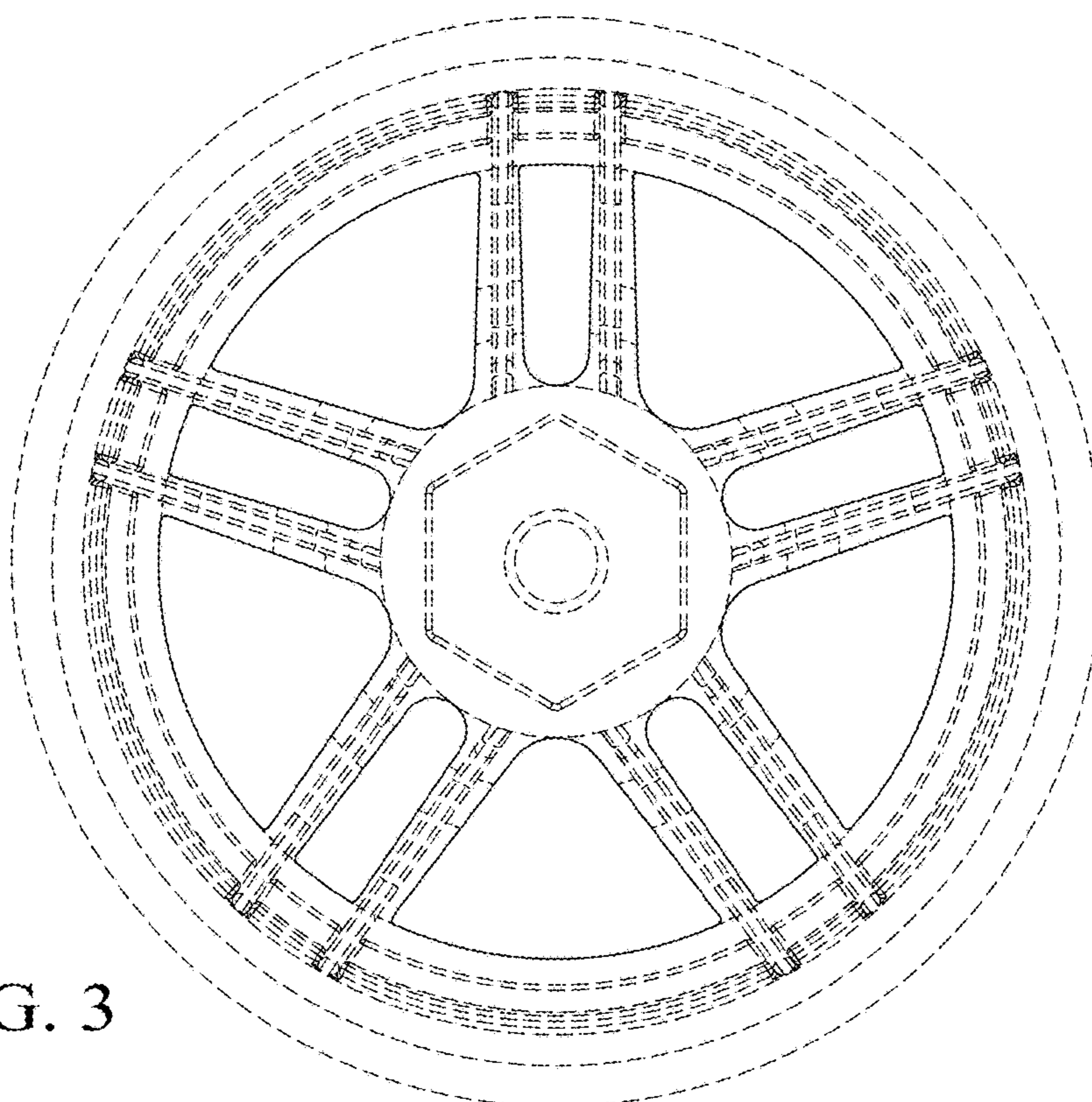


FIG. 3

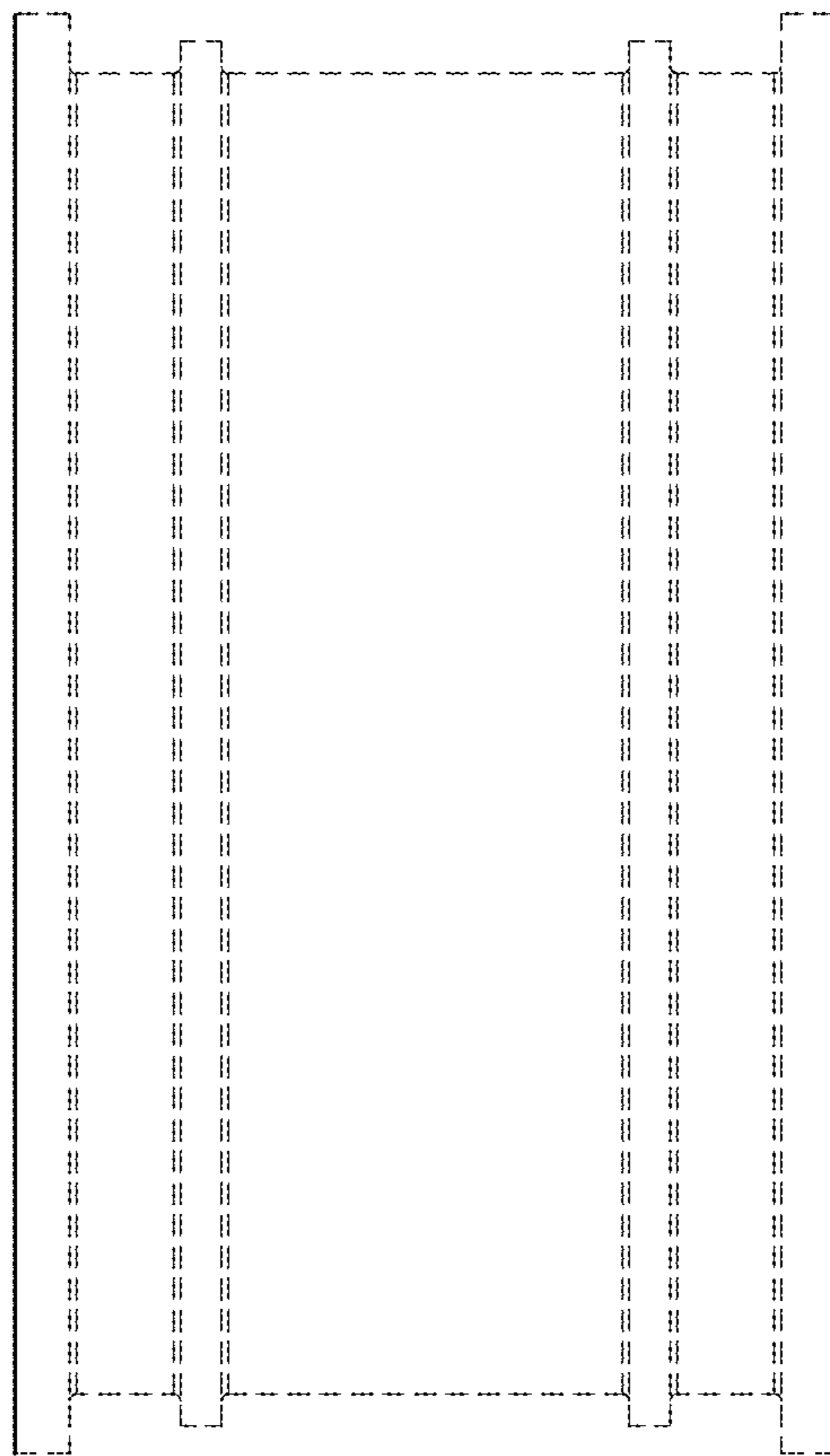


FIG. 4

