



US00D828871S

(12) **United States Design Patent**  
**Varghese et al.**

(10) **Patent No.:** **US D828,871 S**  
(45) **Date of Patent:** **\*\* Sep. 18, 2018**

(54) **ERASER**

(71) Applicant: **Google Inc.**, Mountain View, CA (US)

(72) Inventors: **Sujit Varghese**, New York, NY (US);  
**Jonathan Rowell**, New York, NY (US);  
**Carl Johan Liden**, New York, NY (US);  
**Brett Tom**, Richmond, CA (US);  
**Nicholas Burrows**, Brooklyn, NY (US);  
**Eric Call**, New York, NY (US)

(73) Assignee: **GOOGLE LLC**, Mountain View, CA (US)

(\*\*) Term: **15 Years**

(21) Appl. No.: **29/594,434**

(22) Filed: **Feb. 17, 2017**

(51) **LOC (11) Cl.** ..... **19-06**

(52) **U.S. Cl.**  
USPC ..... **D19/187**

(58) **Field of Classification Search**  
USPC ..... D19/53, 187; D28/76, 82; D9/504;  
D26/6; D14/126; D3/27  
CPC . B43L 19/0025; B43L 19/0068; B43K 29/02;  
B43K 29/18

See application file for complete search history.

(56) **References Cited**

**U.S. PATENT DOCUMENTS**

D23,962 S *	1/1895	Ellis	.....	D3/27
D345,507 S *	3/1994	Granai	.....	D9/424
D405,003 S *	2/1999	Dapsanse	.....	D9/504
D434,324 S *	11/2000	Gobe	.....	D28/76
D459,498 S *	6/2002	Araujo	.....	D26/6
D460,952 S *	7/2002	Kataoka	.....	D14/126
D499,763 S *	12/2004	Jacquet	.....	D19/187
D543,848 S *	6/2007	Mettler	.....	D9/504
D544,350 S *	6/2007	Mettler	.....	D9/504
D627,650 S *	11/2010	Yeung	.....	D28/9
D657,252 S *	4/2012	Crapser	.....	D28/82
D803,060 S *	11/2017	Marina	.....	D9/504

**OTHER PUBLICATIONS**

Smart Kapp Whiteboard posted by Tech Video posted date Apr. 16, 2015, © YouTube, [online], [site visited Apr. 17, 2018]. Available from Internet, [https://www.youtube.com/watch?v=R\\_6X0c-d8tw](https://www.youtube.com/watch?v=R_6X0c-d8tw) (Year: 2015).\*

Portable Bluetooth Speakers posted by Nubwo posted date Apr. 5, 2017, © Amazon, [online], [site visited Apr. 17, 2018]. Available from Internet, <https://www.amazon.com/dp/B06Y2VG33H?th=1> (Year: 2017).\*

Humidifer posted by URPower posted date Nov. 20, 2015, © Amazon, [online], [site visited Apr. 17, 2018]. Available from Internet, [https://www.amazon.com/URPOWER-Aromatherapy-Essential-Humidifier-Waterless/dp/B017BJ9LFM/ref=cm\\_cr\\_arpd\\_product\\_top?ie=UTF8&th=1](https://www.amazon.com/URPOWER-Aromatherapy-Essential-Humidifier-Waterless/dp/B017BJ9LFM/ref=cm_cr_arpd_product_top?ie=UTF8&th=1) (Year: 2015).\*

Cisco Spark, <http://talkingpointz.com/wp-content/uploads/2016/12/CiscoMark.jpg>, date Jan 24, 2017.

Varghese, TJ, Google Blog, The Keyword, Jamboard—the whiteboard, reimagined for collaboration in the cloud, <https://blog.google/products/g-suite/jamboard-whiteboard-reimagined-collaboration-cloud>, date Oct. 25, 2016.

\* cited by examiner

*Primary Examiner* — Cynthia Ramirez

*Assistant Examiner* — Laura H Yu

(74) *Attorney, Agent, or Firm* — Finnegan, Henderson, Farabow, Garrett & Dunner, LLP

(57) **CLAIM**

What is claimed is the ornamental design for an eraser, as shown and described.

**DESCRIPTION**

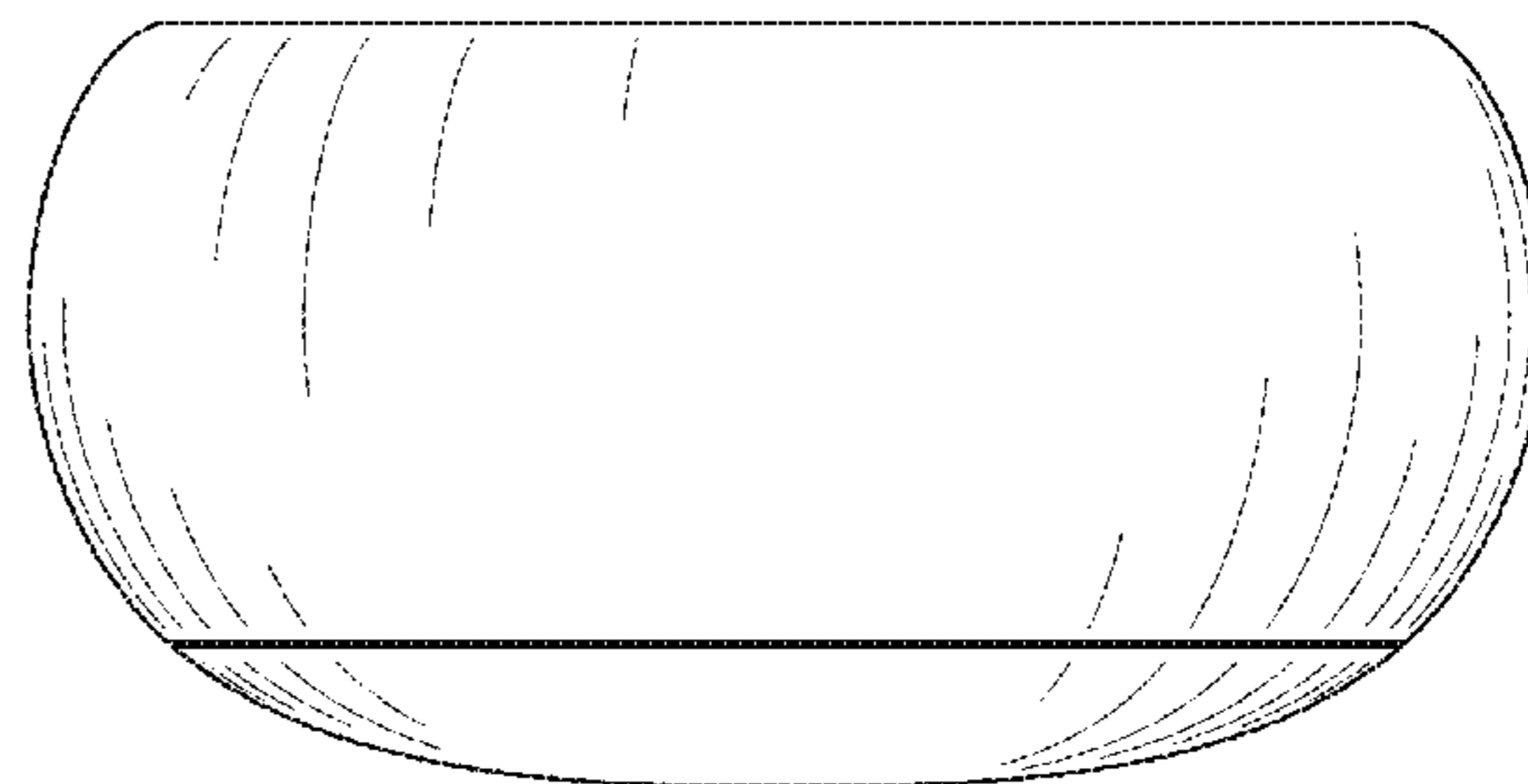
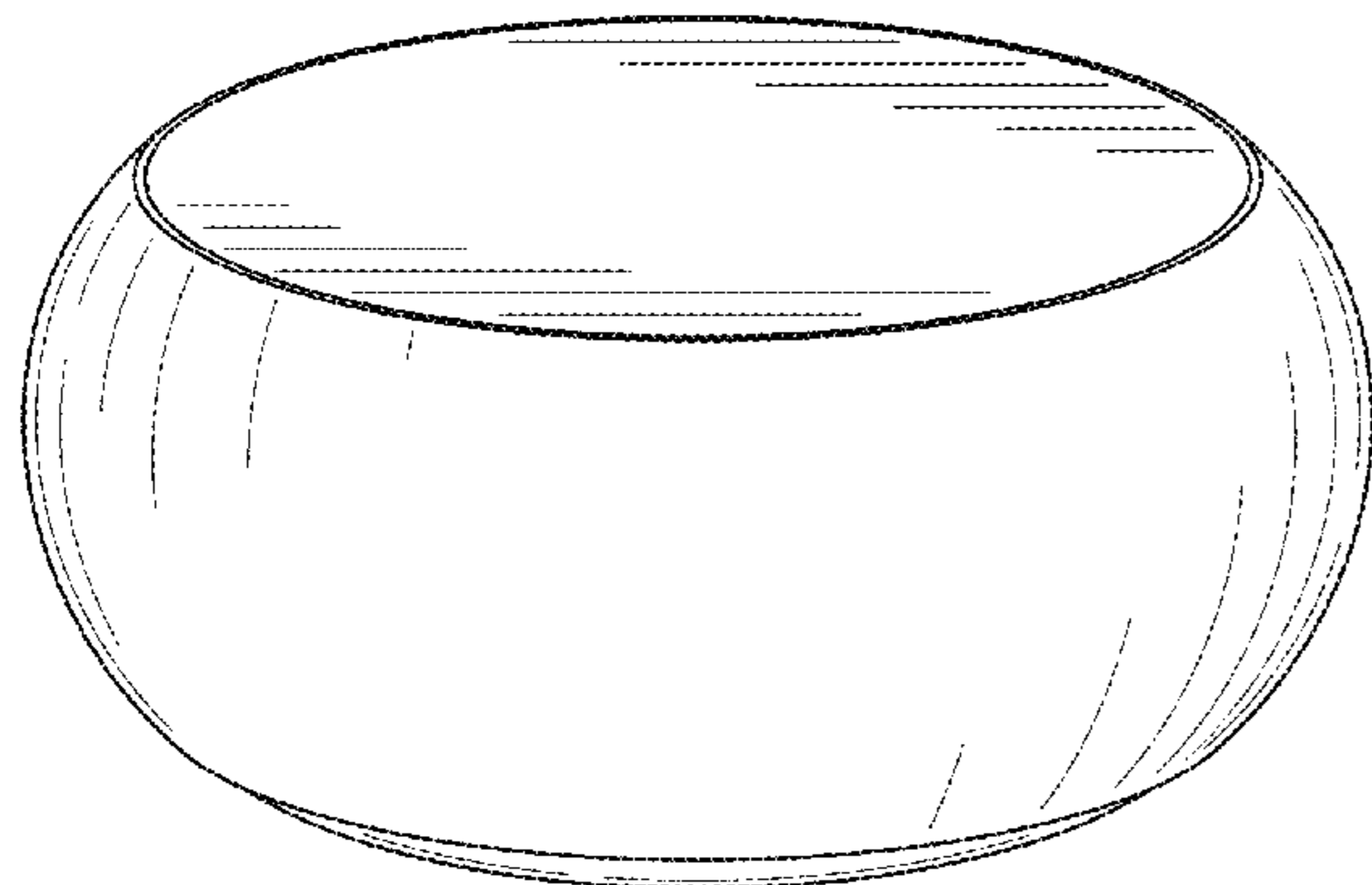
FIG. 1 is a top, side perspective view of an eraser showing our new design;

FIG. 2 is a side view thereof, all sides being identical;

FIG. 3 is a top view thereof; and,

FIG. 4 is a bottom view thereof.

**1 Claim, 2 Drawing Sheets**



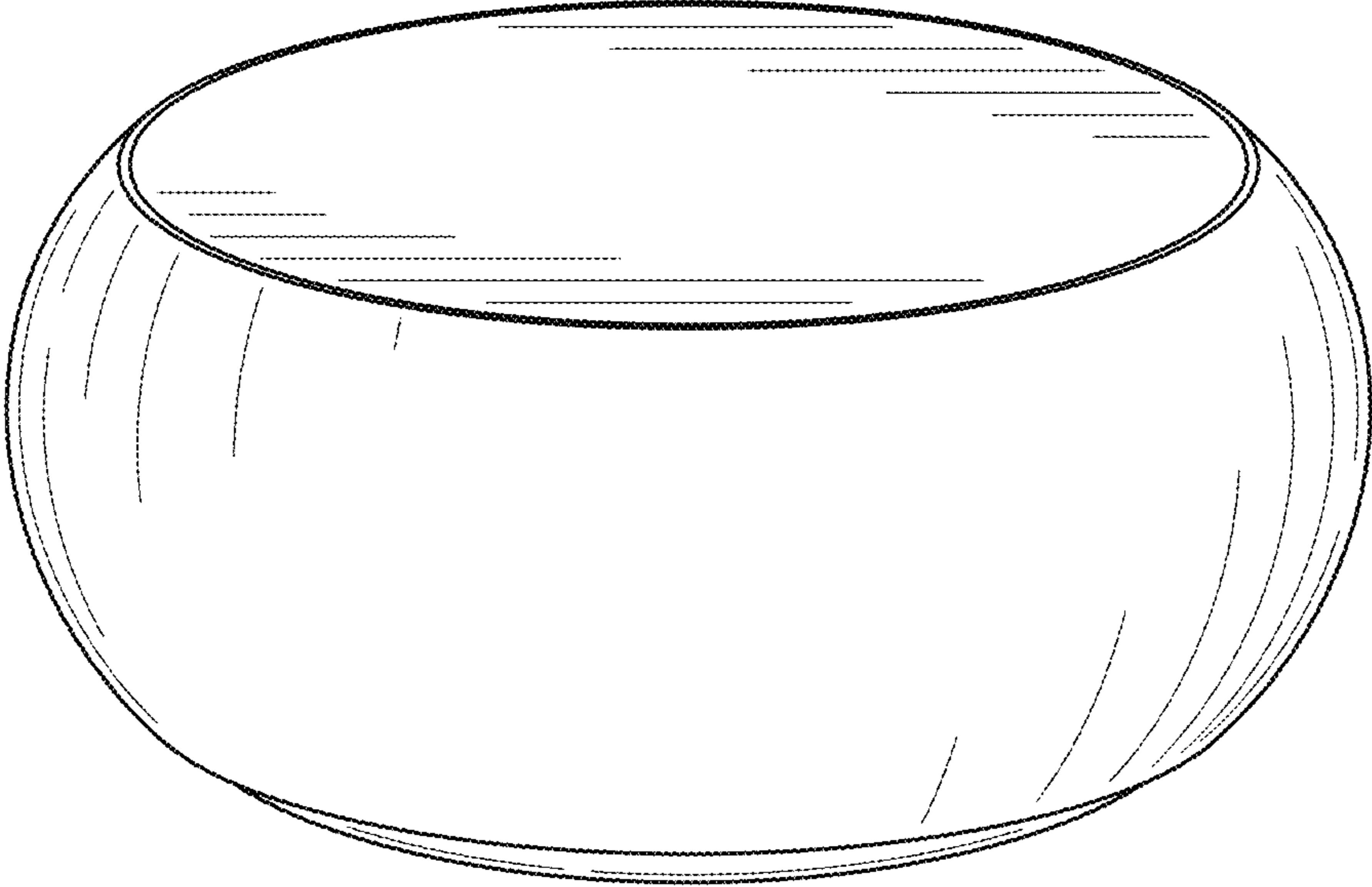


FIG. 1

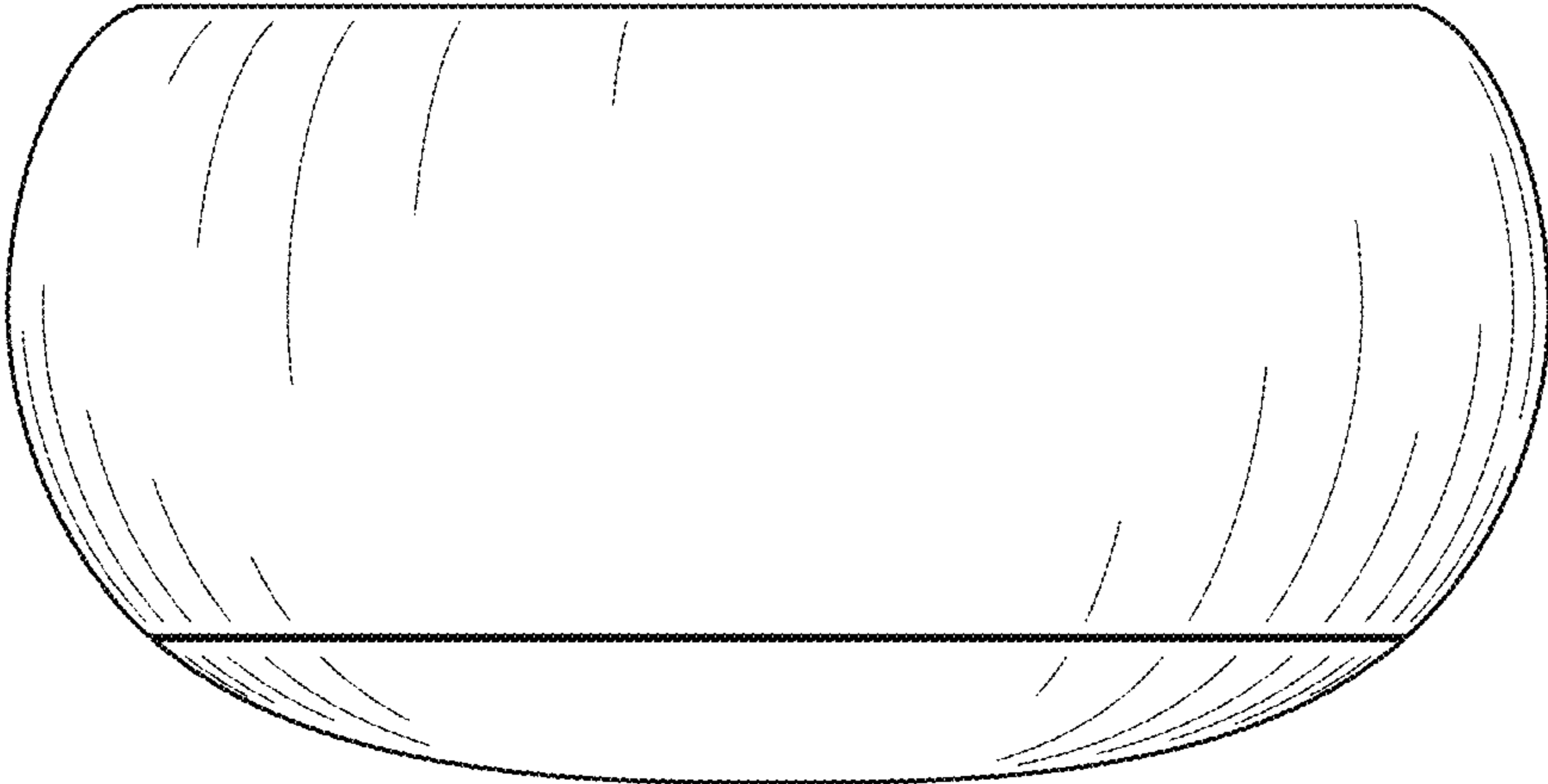


FIG. 2

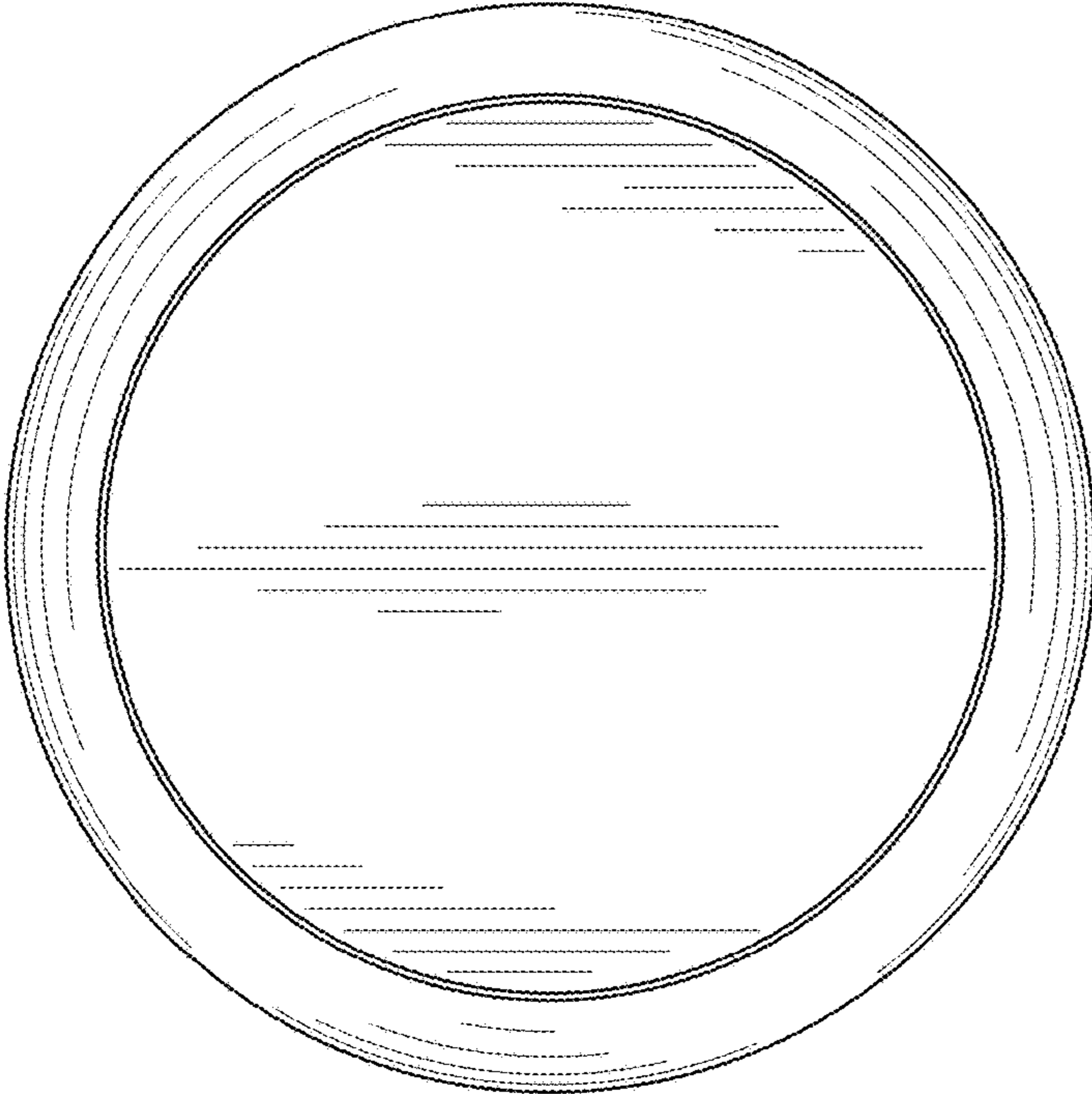


FIG. 3

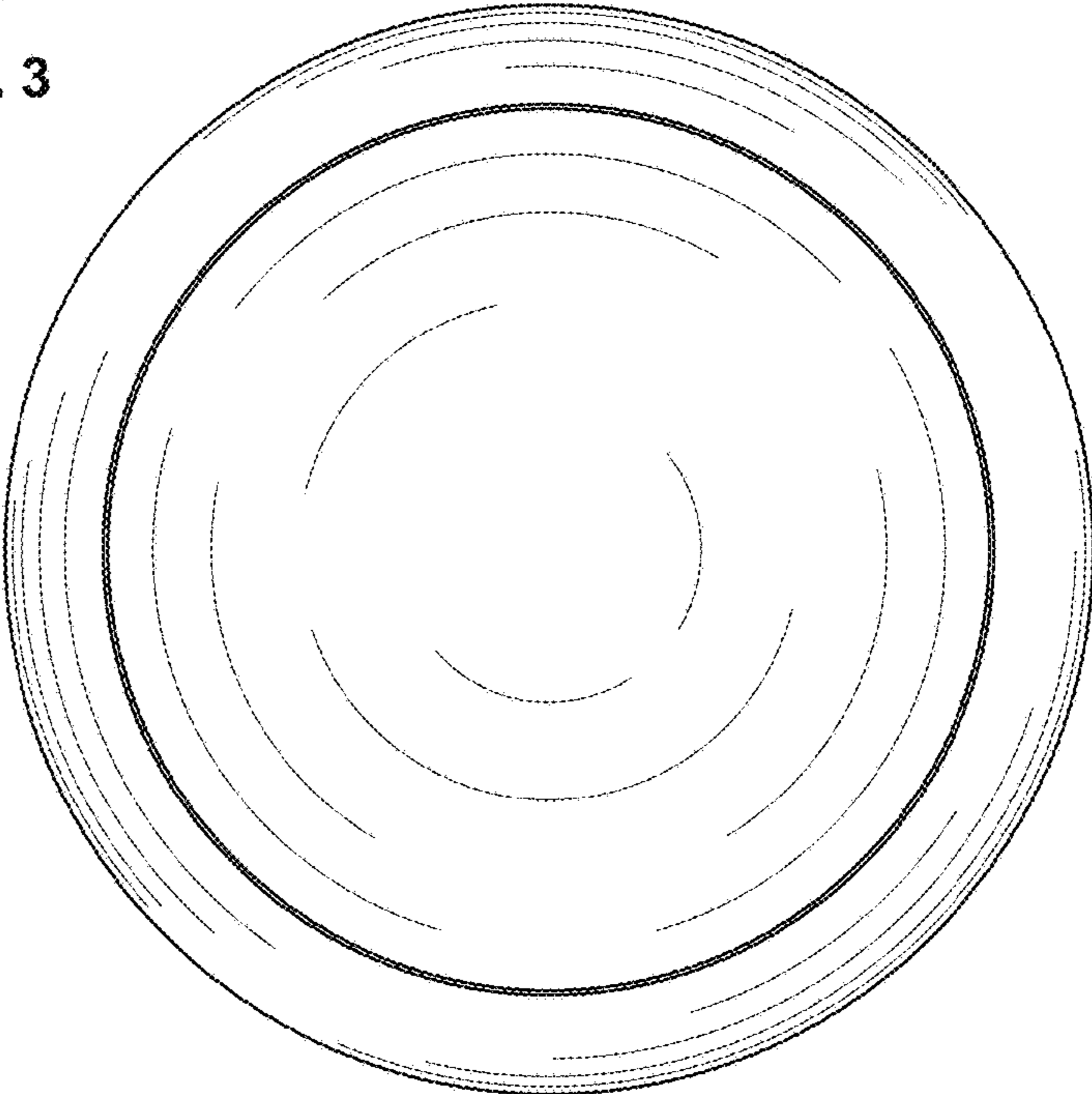


FIG. 4