



US00D828868S

(12) **United States Design Patent** (10) **Patent No.:** **US D828,868 S**
Kubo et al. (45) **Date of Patent:** **** Sep. 18, 2018**

(54) **TONER CARTRIDGE**

- (71) Applicant: **FUJI XEROX CO., LTD.**, Tokyo (JP)
- (72) Inventors: **Keisuke Kubo**, Ebina (JP); **Seigo Shinozaki**, Ebina (JP); **Makoto Kanno**, Ebina (JP)
- (73) Assignee: **FUJI XEROX CO., LTD.**, Tokyo (JP)
- (**) Term: **15 Years**
- (21) Appl. No.: **29/579,177**
- (22) Filed: **Sep. 28, 2016**

(30) **Foreign Application Priority Data**

May 23, 2016	(JP)	2016-010882
May 23, 2016	(JP)	2016-010884
May 23, 2016	(JP)	2016-010885
Sep. 27, 2016	(JP)	2016-020643

(51) **LOC (11) Cl.** **16-03**

(52) **U.S. Cl.**
USPC **D18/43**

(58) **Field of Classification Search**
 USPC D14/471, 483, 484; D18/12, 18, 36, 40, D18/43, 44, 56, 58, 99
 CPC . B41J 2/17; B41J 2/1721; B41J 2/1572; B41J 2/1754; B41J 2/17503; B41J 2/17553; B41J 2/17556; B41J 2/16547
 See application file for complete search history.

(56) **References Cited**

U.S. PATENT DOCUMENTS

D364,184 S	*	11/1995	Satake	D18/43
D404,758 S	*	1/1999	Koide	D18/43
5,857,129 A		1/1999	Harris		
D442,986 S	*	5/2001	Tsuji	D18/43
D447,167 S	*	8/2001	Taniyama	D18/43
D450,081 S	*	11/2001	Tsuji	D18/43
D458,301 S		6/2002	Wang et al.		

(Continued)

OTHER PUBLICATIONS

Konica Miolta Bizhub 195 . 215 (available online Feb. 20, 2016)
 Retrieved from the internet Aug. 11, 2017, retrieved from the internet URL: <https://www.youtube.com/watch?v=phO5AkEXrQk>.
 (Continued)

Primary Examiner — Kevin Keith Rudzinski
Assistant Examiner — Richard Kearney
 (74) *Attorney, Agent, or Firm* — Oliff PLC

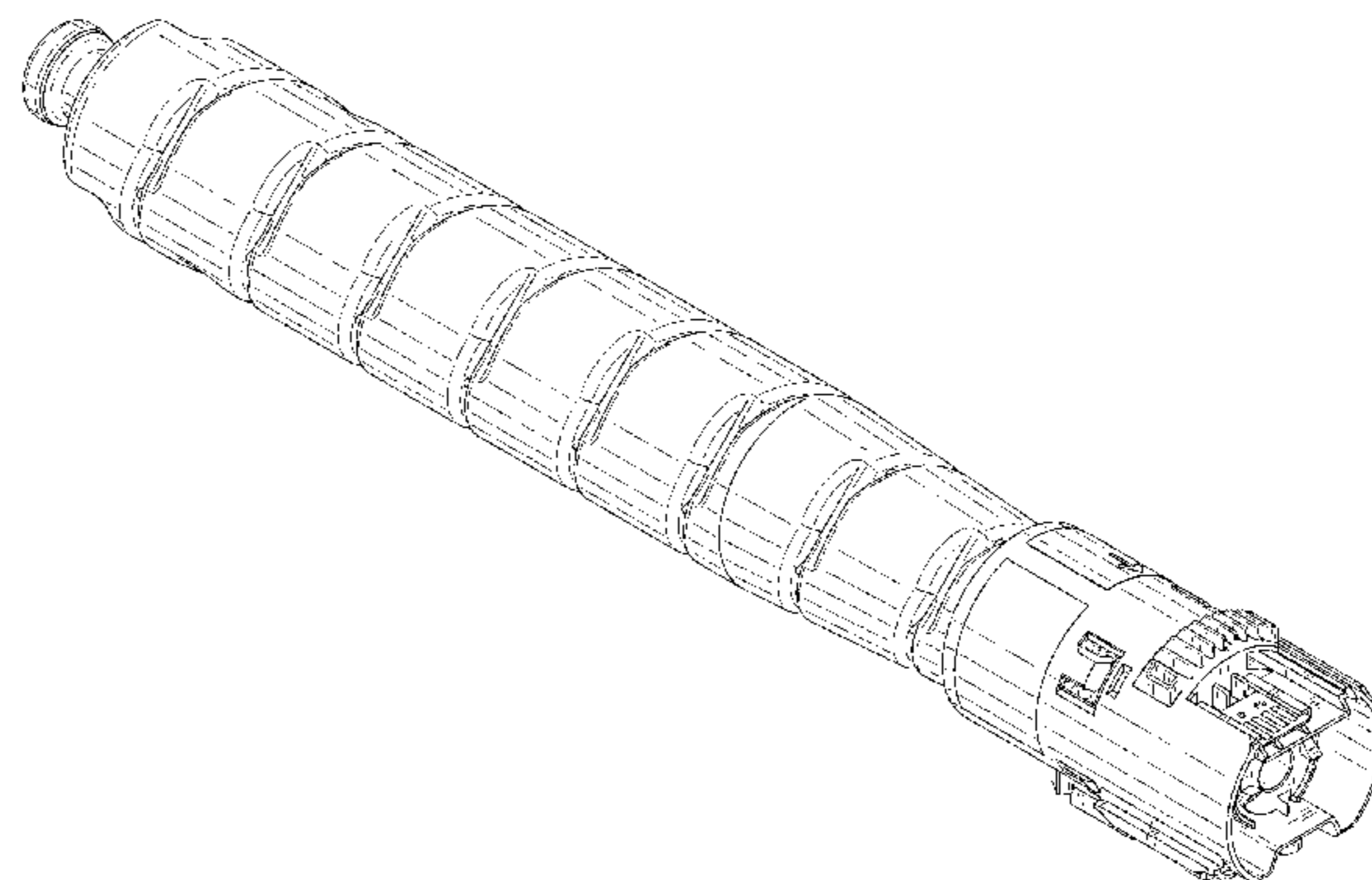
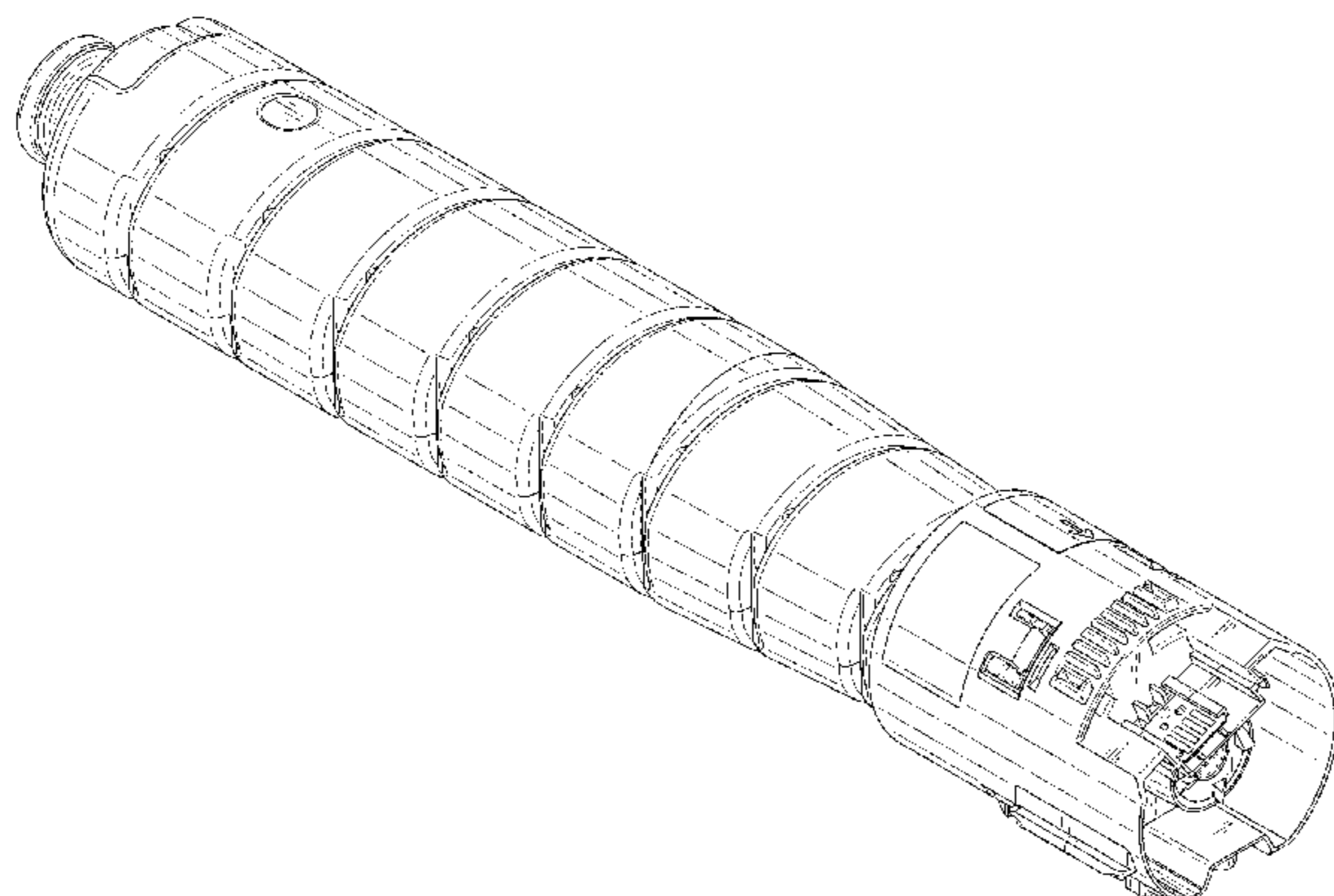
(57) **CLAIM**

The ornamental design for a toner cartridge, as shown and described.

DESCRIPTION

FIG. 1 is a front, right top perspective view of a toner cartridge showing a first embodiment of our new design; FIG. 2 is a front, left, bottom perspective view thereof; FIG. 3 is a front view thereof; FIG. 4 is a rear side view thereof; FIG. 5 is a left side view thereof; FIG. 6 is a right side view thereof; FIG. 7 is a top plan view thereof; FIG. 8 is a bottom plan view thereof; FIG. 9 is a front, right top perspective view of a toner cartridge showing a second embodiment of our new design; FIG. 10 is a front, left, bottom perspective view thereof; FIG. 11 is a front view thereof; FIG. 12 is a rear side view thereof; FIG. 13 is a left side view thereof; FIG. 14 is a right side view thereof; FIG. 15 is a top plan view thereof; and, FIG. 16 is a bottom plan view thereof.
 The broken lines shown in the drawings illustrate portions of the toner cartridge that form no part of the claimed design.

1 Claim, 10 Drawing Sheets



(56)

References Cited

U.S. PATENT DOCUMENTS

D458,960 S 6/2002 Wang et al.
 D458,961 S * 6/2002 Wang D18/43
 D472,572 S * 4/2003 Kaiho D18/43
 D500,074 S * 12/2004 Naraoka D18/43
 D500,076 S * 12/2004 Takuwa D18/43
 D531,662 S * 11/2006 Tsuda D18/43
 D532,037 S * 11/2006 Tsuda D18/43
 D599,845 S * 9/2009 Kurenuma D18/43
 D602,985 S * 10/2009 Yoshizawa D18/43
 D615,124 S * 5/2010 Nakajima D18/43
 D615,584 S * 5/2010 Jimba D18/43
 D622,759 S * 8/2010 Yoshida D18/43
 D635,188 S 3/2011 Rommel
 D636,435 S * 4/2011 Naito D18/43
 8,005,406 B2 8/2011 Hosokawa et al.
 D655,748 S * 3/2012 Takami D18/43
 D656,181 S * 3/2012 Kikuchi D18/43

D685,841 S * 7/2013 Okino D18/43
 D689,129 S * 9/2013 Okino D18/43
 D711,462 S * 8/2014 Jimba D18/43
 D734,386 S * 7/2015 Kikuchi D18/43
 9,639,028 B2 * 5/2017 Horii G03G 15/0872
 RE46,689 E 1/2018 Umezawa et al.
 2007/0092302 A1 4/2007 Koyama
 2007/0230974 A1 10/2007 Ohkawa et al.
 2008/0260432 A1 10/2008 Ohyama et al.
 2010/0008698 A1 1/2010 Ichikawa et al.
 2010/0129118 A1 5/2010 Kimura et al.
 2016/0091825 A1 * 3/2016 Oba G03G 15/0886
 399/254
 2017/0090346 A1 * 3/2017 Tamazawa G03G 15/0872

OTHER PUBLICATIONS

Feb. 22, 2018 Office Action issued in U.S. Appl. No. 29/614,436.
 Feb. 22, 2018 Office Action issued in U.S. Appl. No. 29/614,420.

* cited by examiner

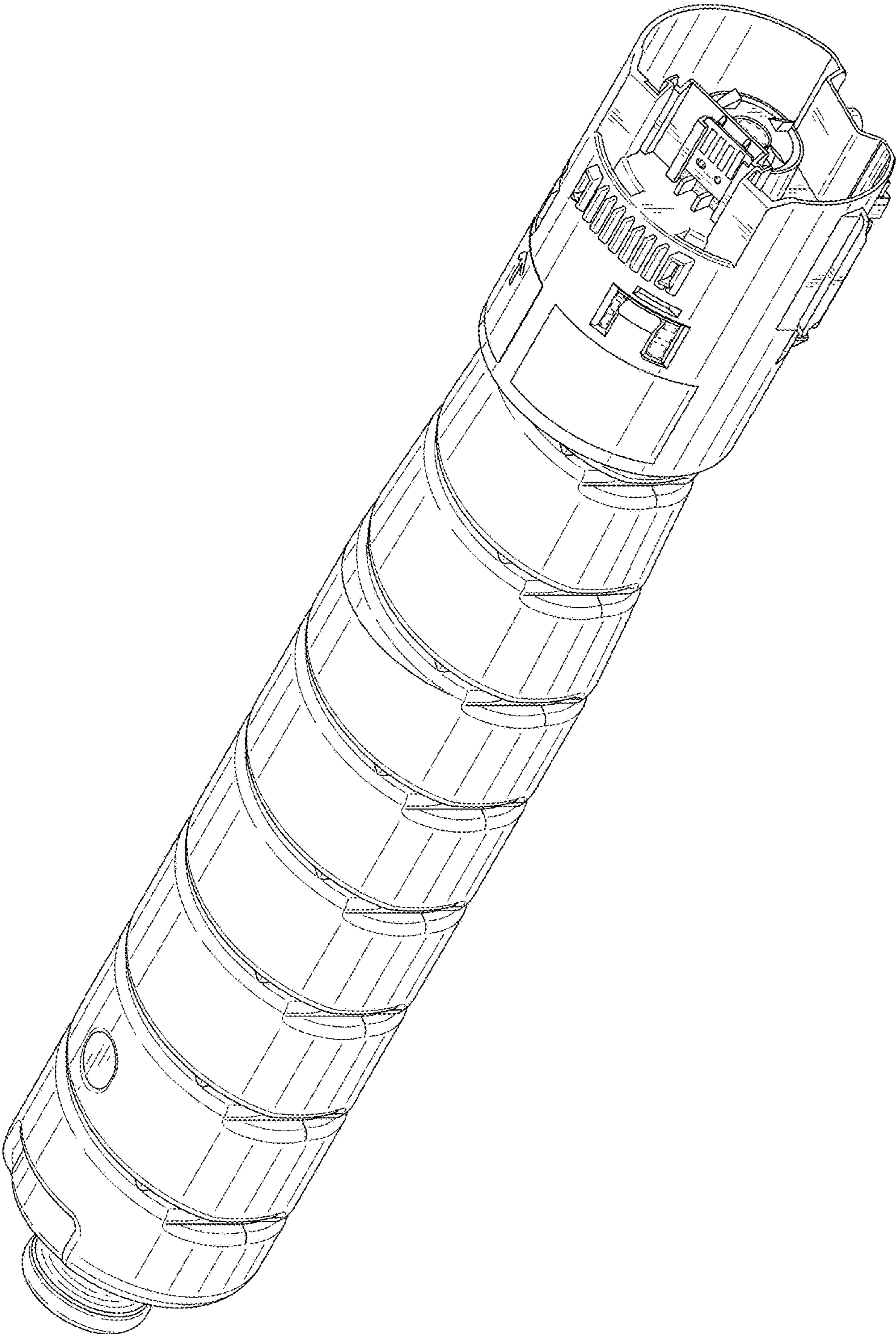


FIG. 1

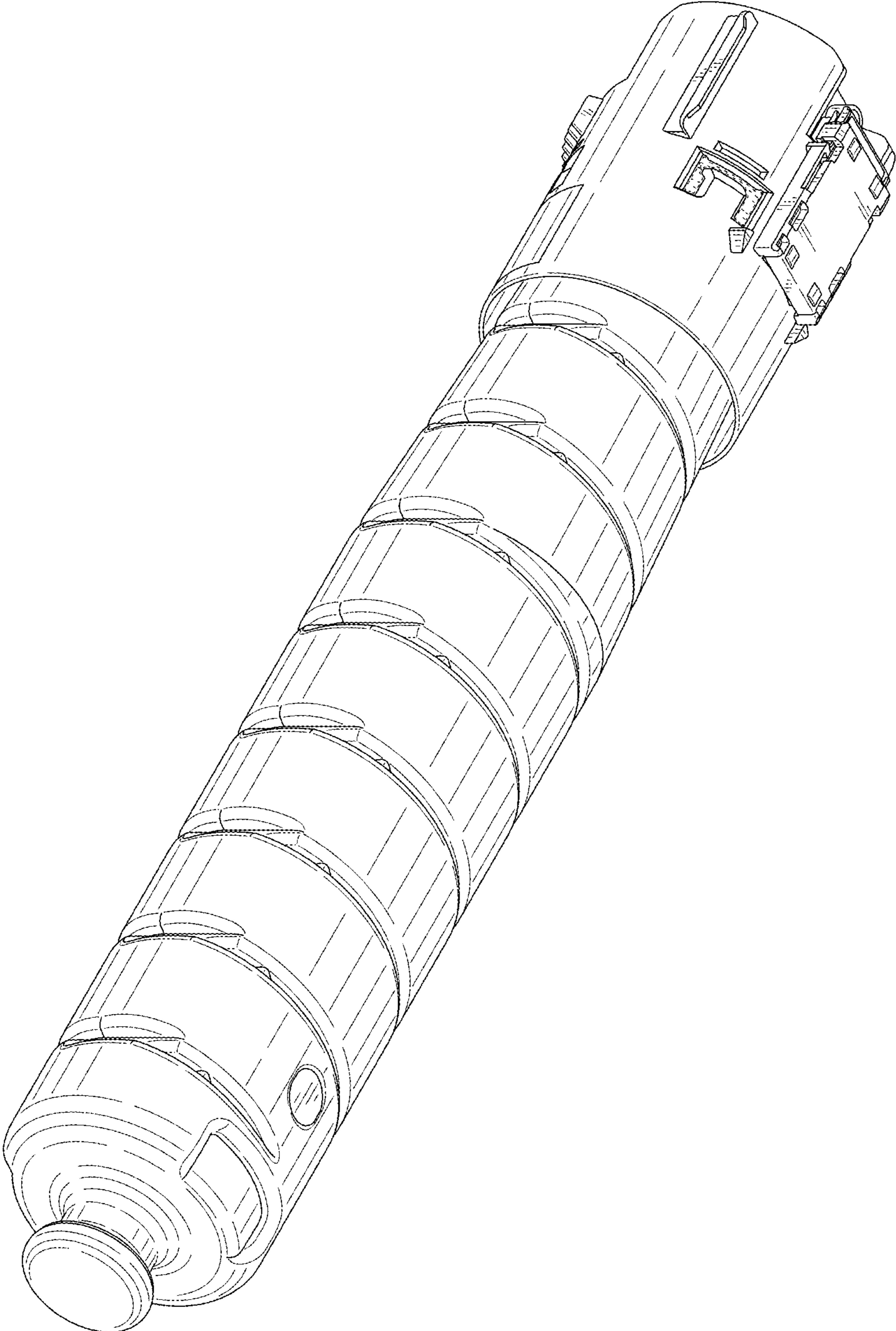


FIG. 2

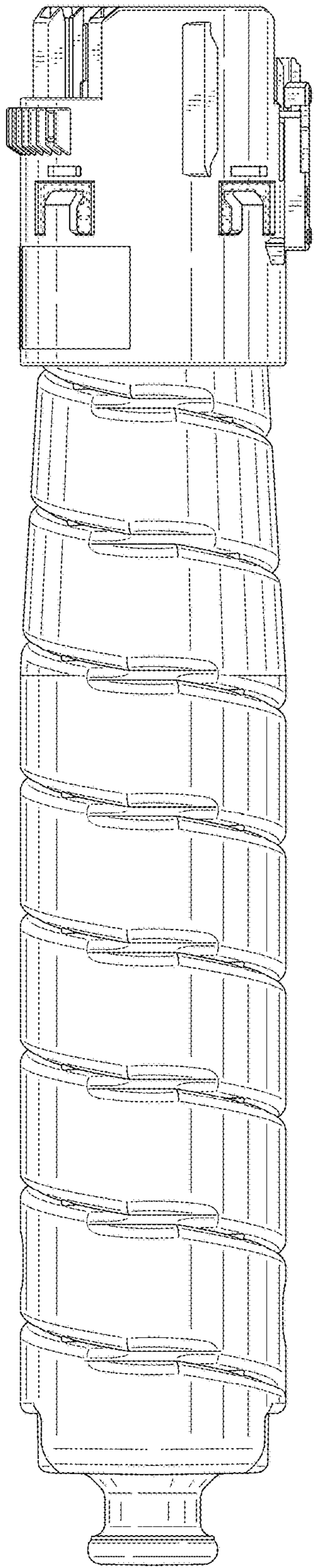


FIG. 3

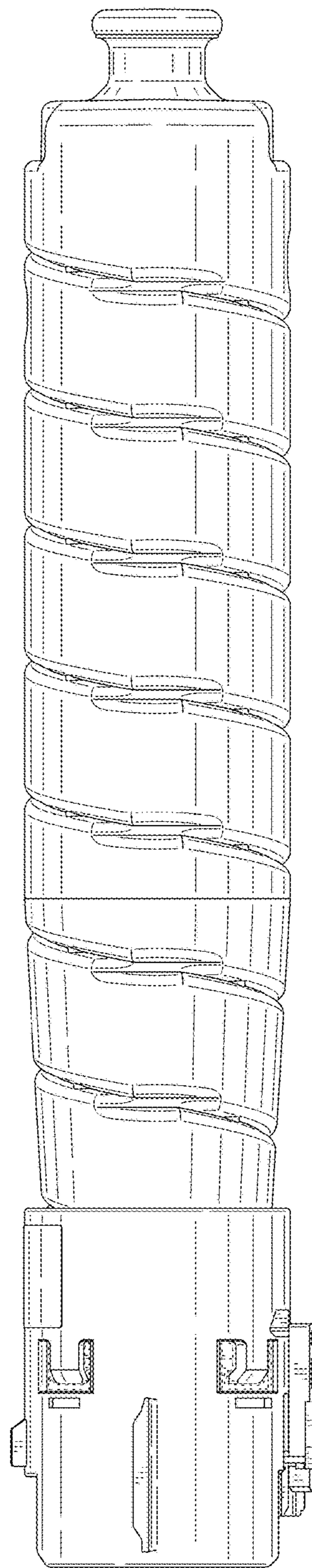


FIG. 4

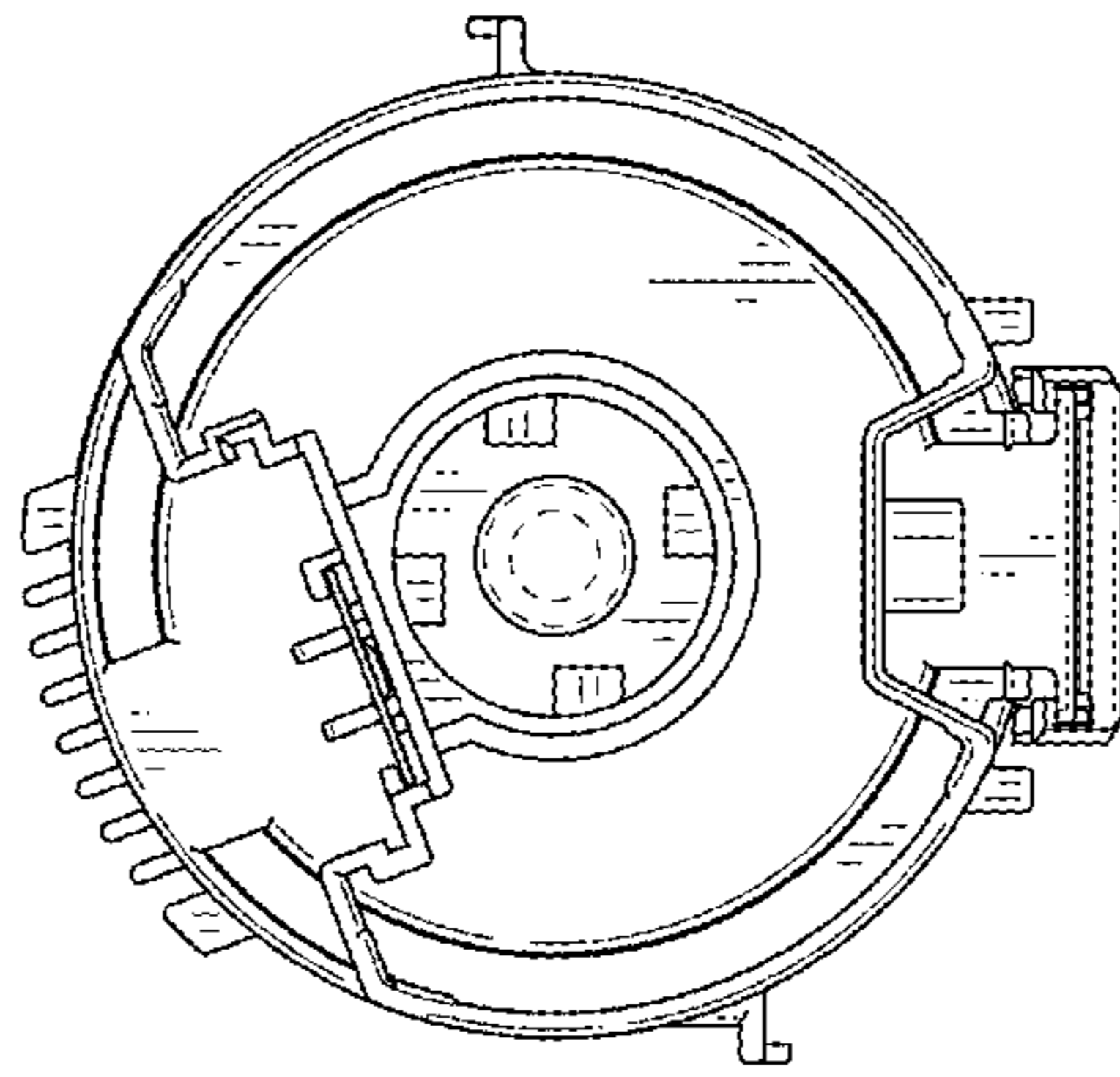


FIG. 6

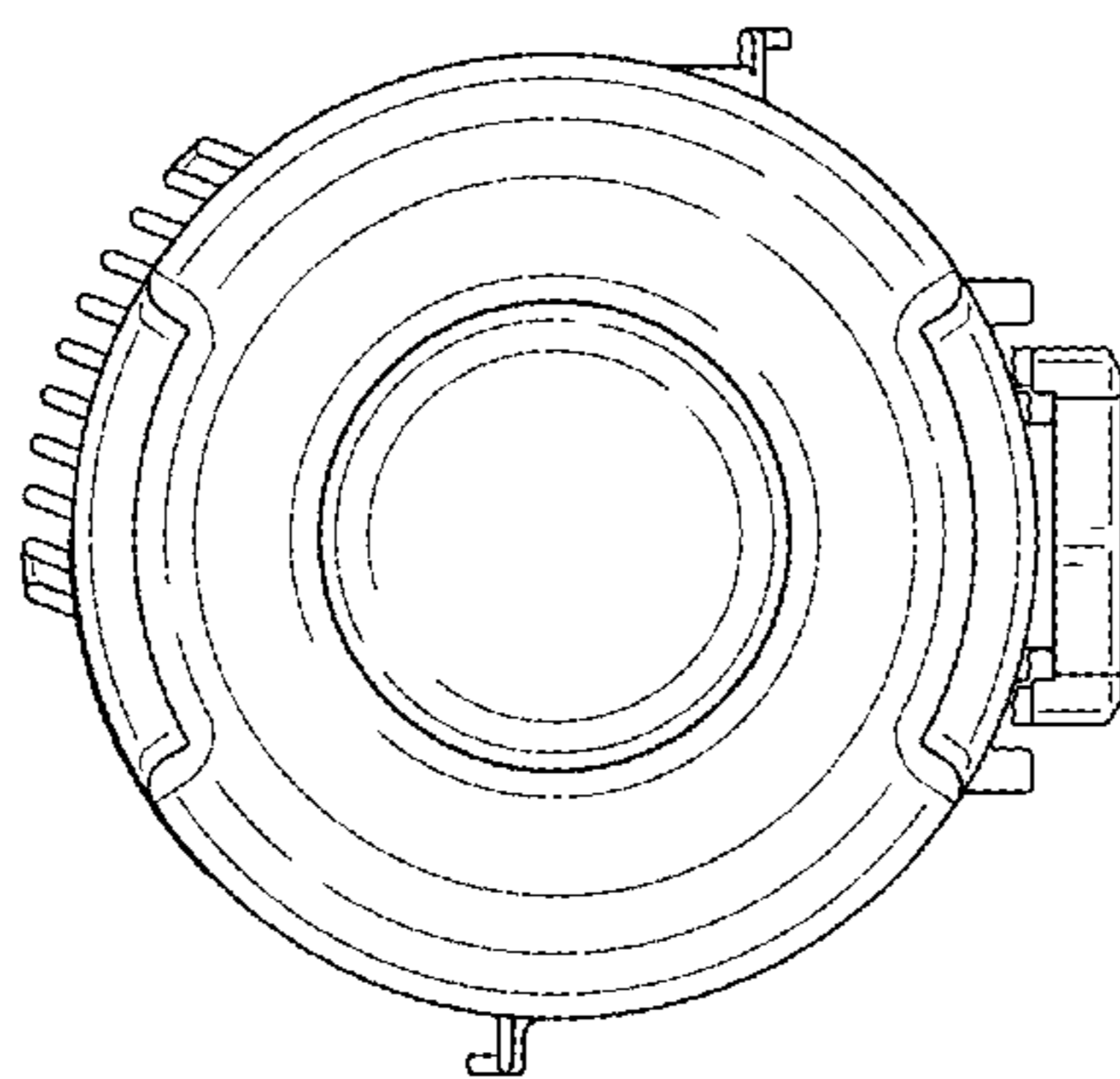


FIG. 5

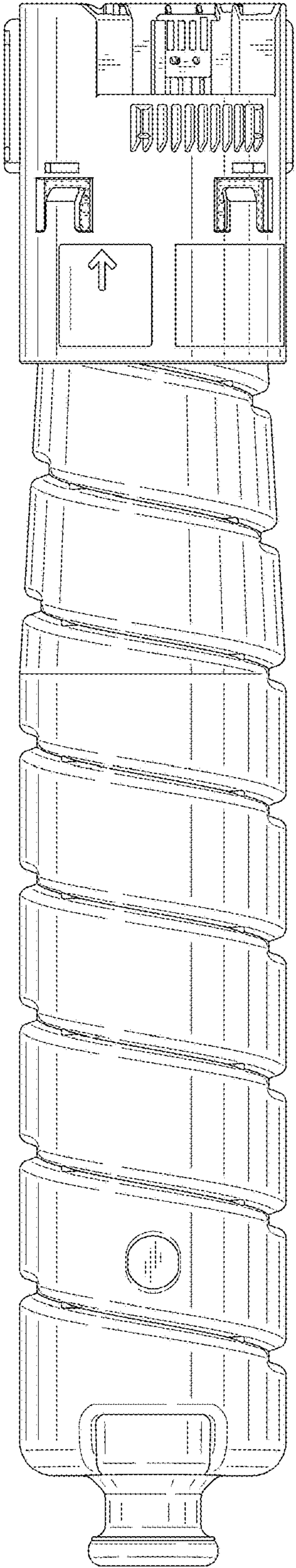


FIG. 7

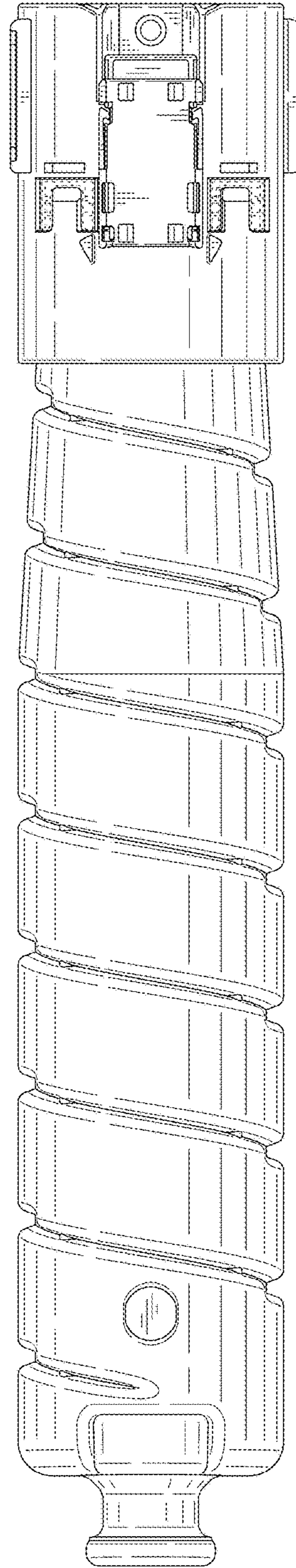


FIG. 8

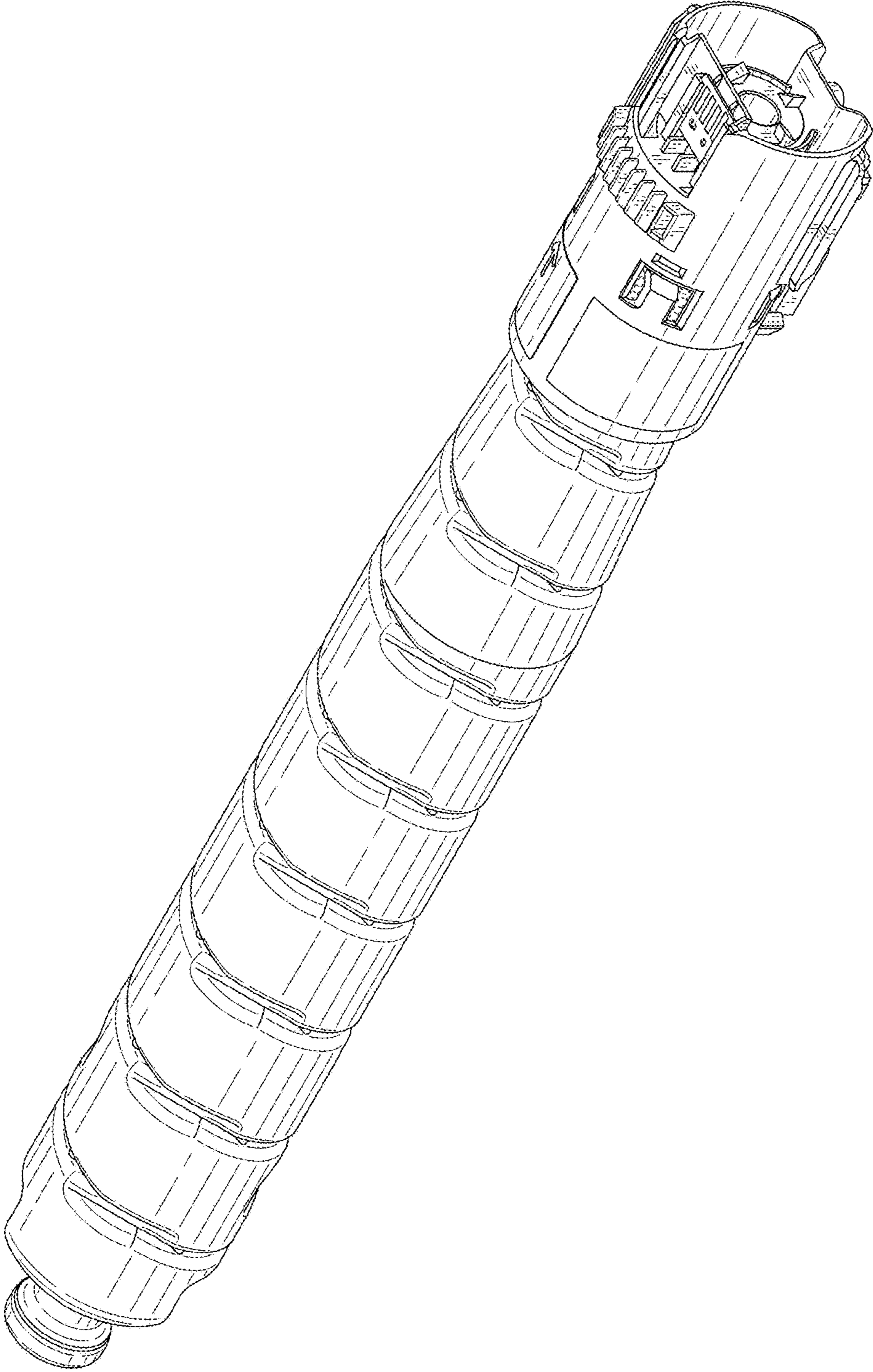


FIG. 9

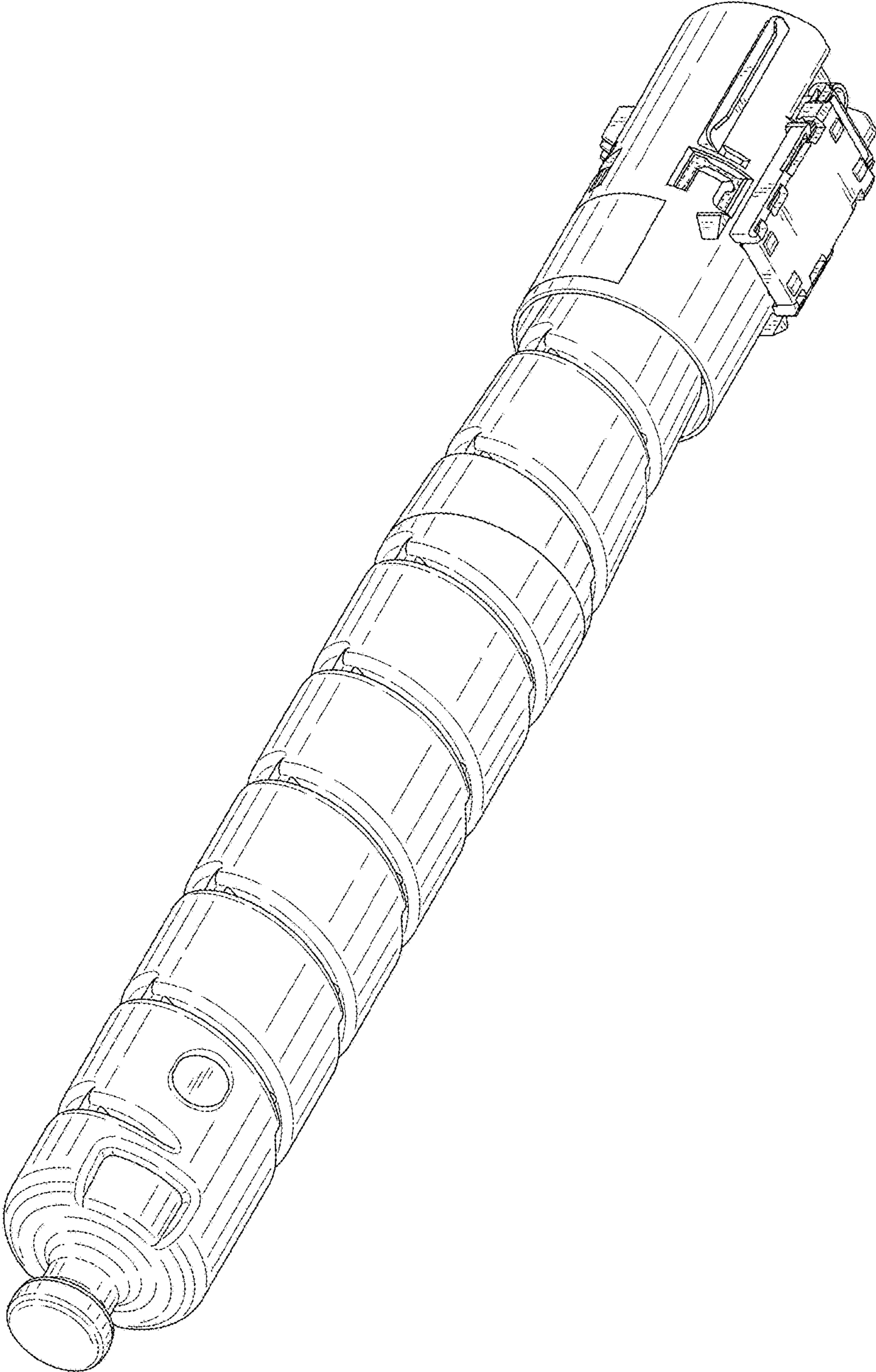


FIG. 10

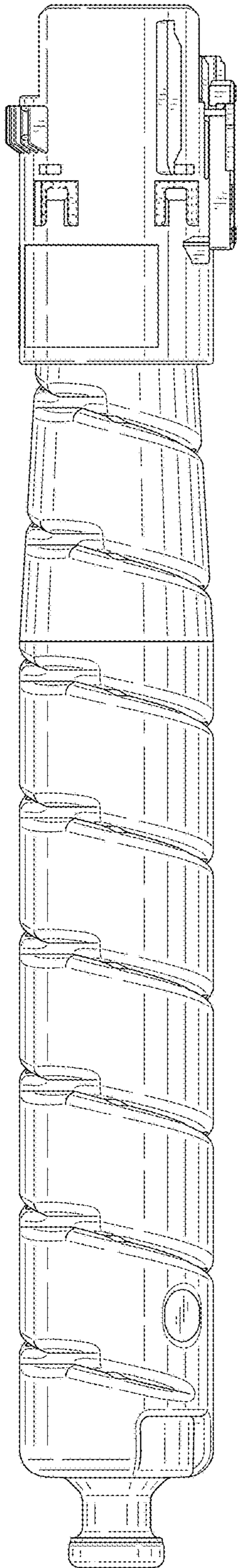


FIG. 11

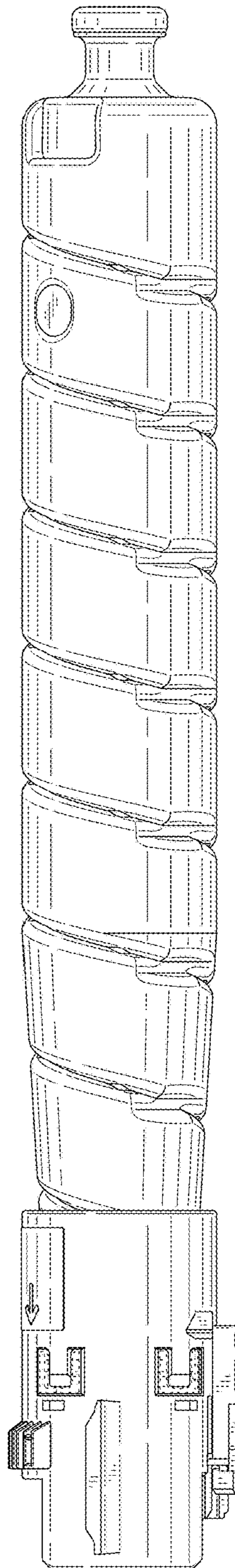


FIG. 12

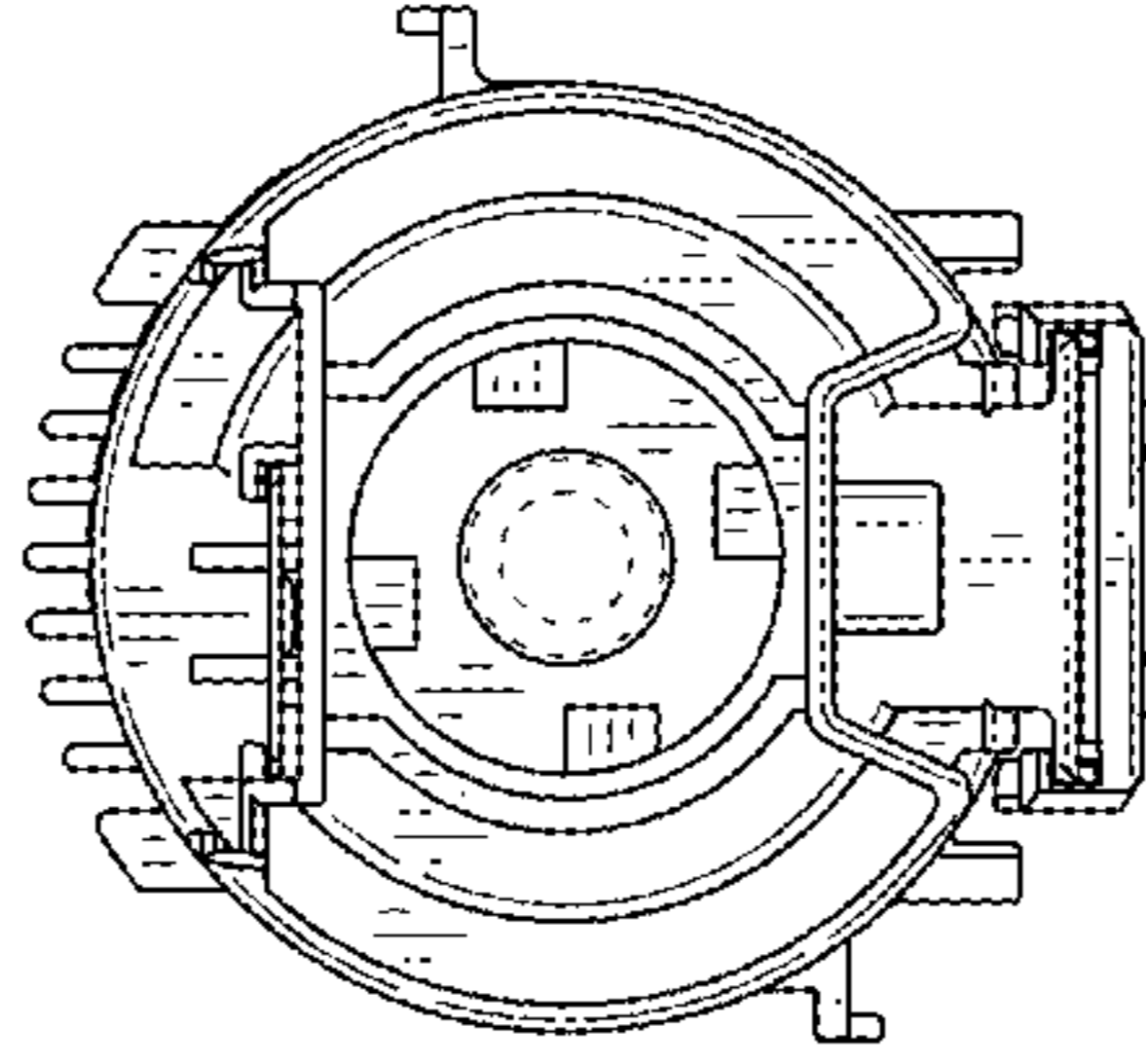


FIG. 14

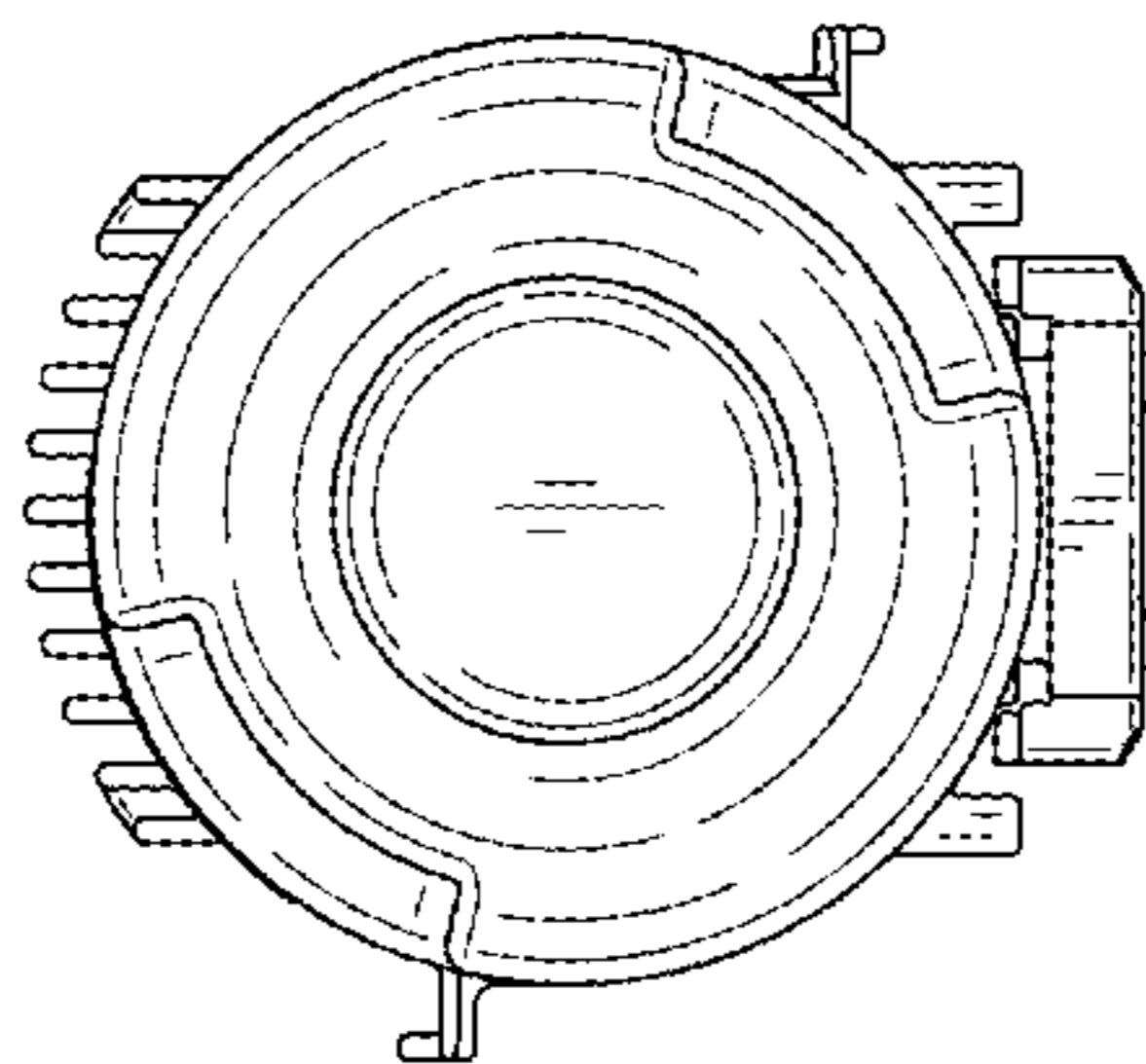


FIG. 13

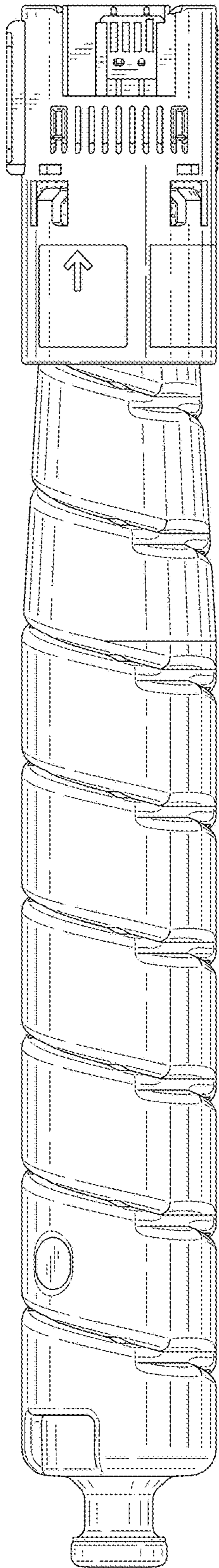


FIG. 15

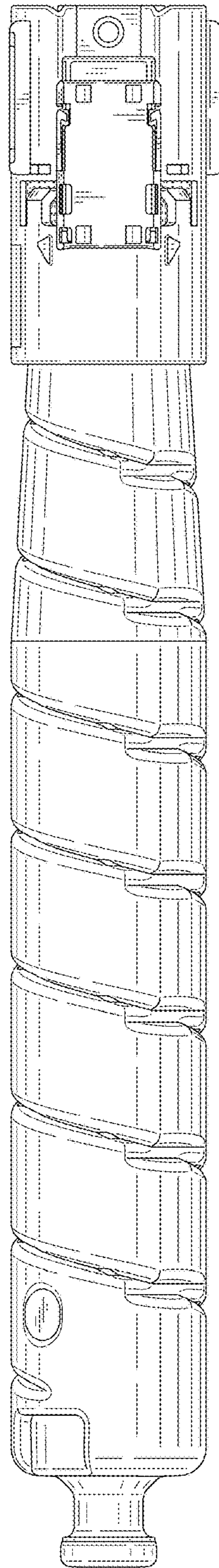


FIG. 16