



US00D828864S

(12) **United States Design Patent**
Shibuya et al.

(10) **Patent No.:** **US D828,864 S**
(45) **Date of Patent:** **** Sep. 18, 2018**

(54) **PROJECTOR**

(71) Applicant: **Maxell, Ltd.**, Kyoto (JP)

(72) Inventors: **Shinji Shibuya**, Tokyo (JP); **Nobuyuki Kaku**, Osaka (JP); **Takatsugu Kawabata**, Osaka (JP); **Katsuyuki Watanabe**, Osaka (JP); **Tamaki Iwamiya**, Osaka (JP)

(73) Assignee: **Maxell, Ltd.**, Kyoto (JP)

(**) Term: **15 Years**

(21) Appl. No.: **29/607,678**

(22) Filed: **Jun. 15, 2017**

(30) **Foreign Application Priority Data**

Dec. 16, 2016 (JP) 2016-027346

(51) **LOC (11) Cl.** **16-02**

(52) **U.S. Cl.**
USPC **D16/225; D16/232**

(58) **Field of Classification Search**
USPC D16/221, 225, 229-231, 232, 203, 208;
D14/423; D21/514; 353/119
(Continued)

(56) **References Cited**

U.S. PATENT DOCUMENTS

D216,839 S * 3/1970 Rhoades et al. D16/221
D349,713 S * 8/1994 Hasegawa D16/203
(Continued)

FOREIGN PATENT DOCUMENTS

JP D1566569 * 3/2016

OTHER PUBLICATIONS

Shibuya et al., Design U.S. Appl. No. 29/601,539, filed Apr. 24, 2017.

(Continued)

Primary Examiner — Wan Laymon

(74) *Attorney, Agent, or Firm* — Crowell & Moring LLP

(57) **CLAIM**

The ornamental design for a projector, as shown and described.

DESCRIPTION

This application contains subject matter related to the following co-pending U.S. design patent applications: Application Ser. No. 29/607,682, filed herewith and entitled "Projector";

Application Ser. No. 29/601,539, filed Apr. 24, 2017 and entitled "Projector;" and Application Ser. No. 29/601,568, filed Apr. 24, 2017 and entitled "Projector."

FIG. 1 is a front, top and right side perspective view of a projector according to the design;

FIG. 2 is a front elevational view thereof;

FIG. 3 is a rear elevational view thereof;

FIG. 4 is a right side elevational view thereof;

FIG. 5 is a left side elevational view thereof;

FIG. 6 is a top plan view thereof;

FIG. 7 is a bottom plan view thereof;

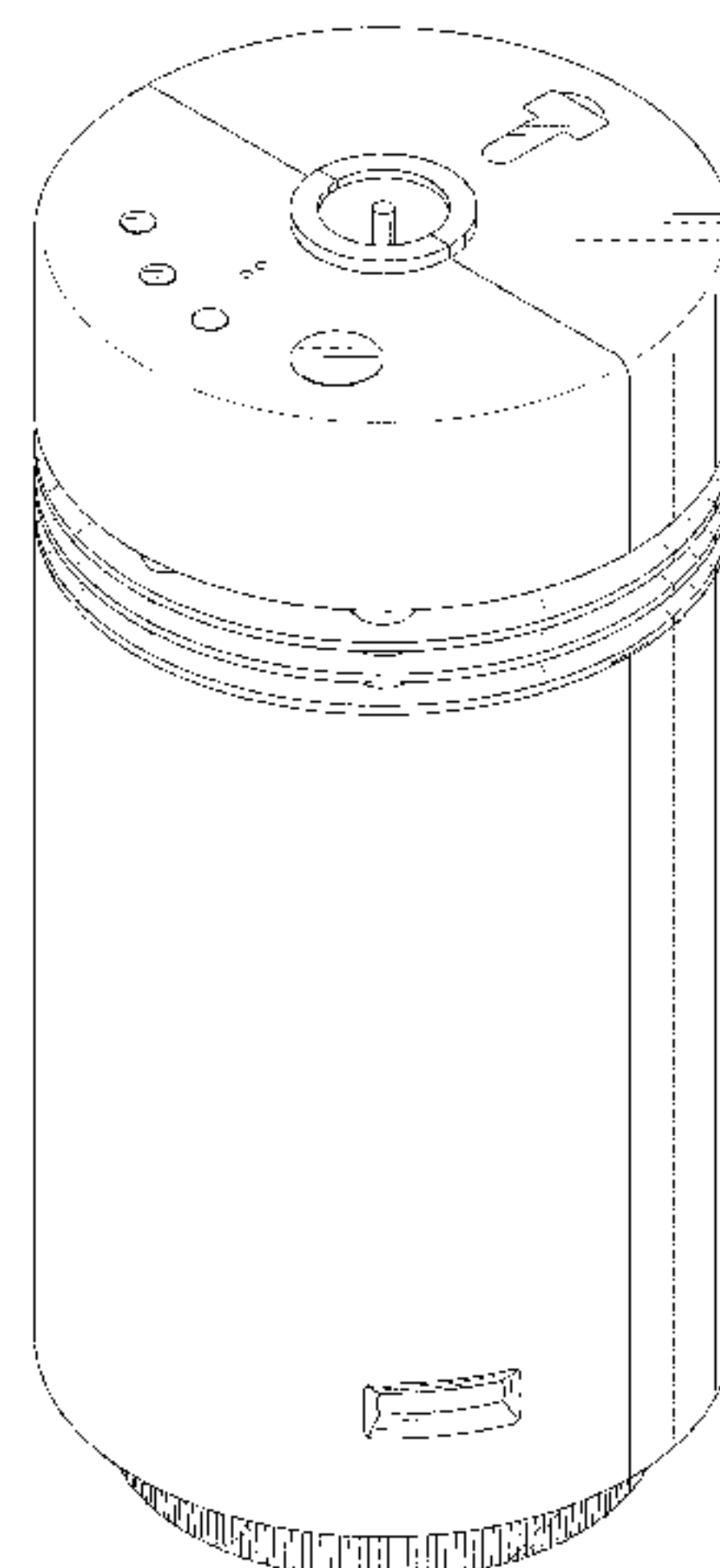
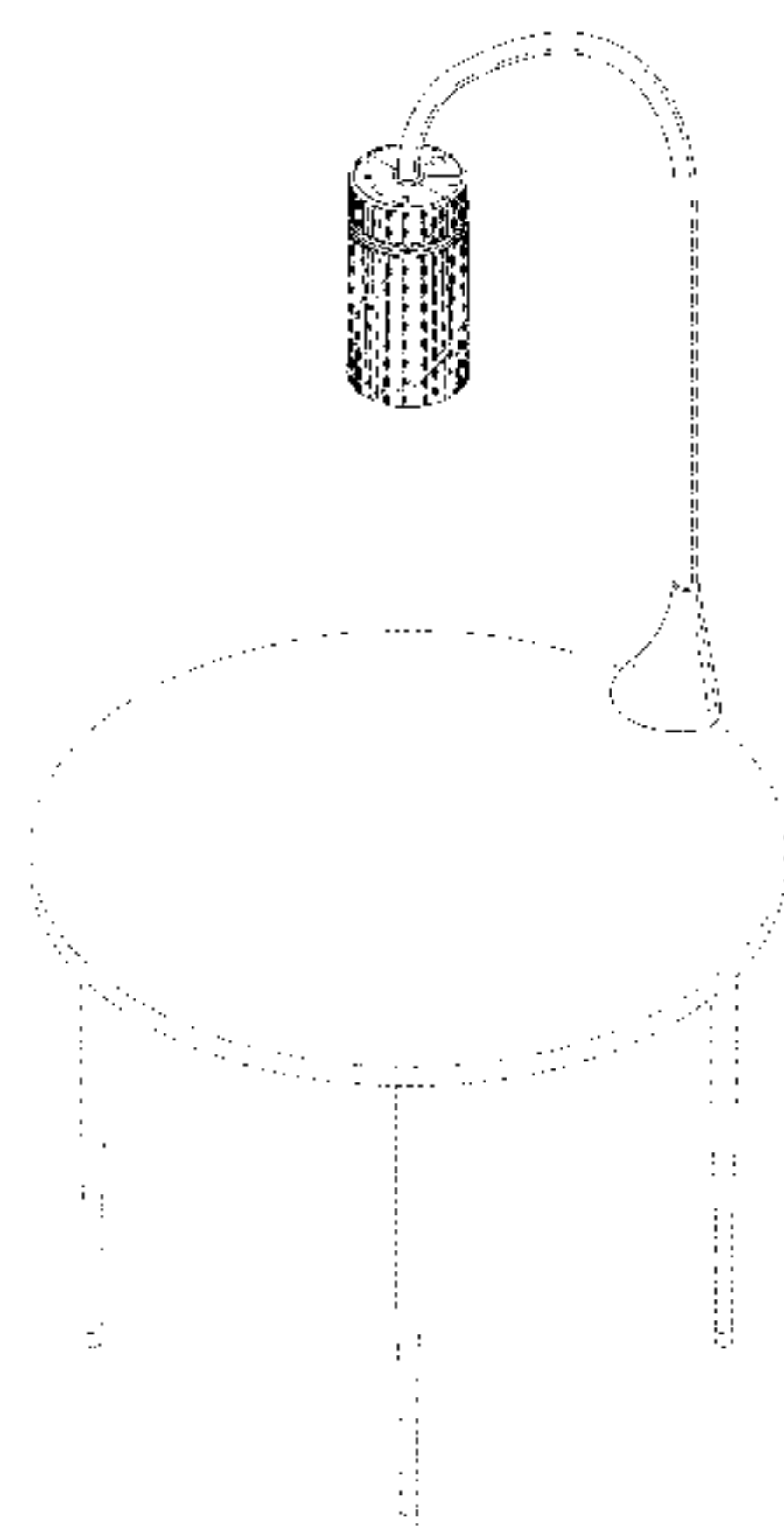
FIG. 8 is an enlarged front, top and right side perspective view of the body part thereof without the upper transparent cover, the lower transparent cover and the support member in FIG. 1 for ease of illustration;

FIG. 9 is an enlarged right side elevational view of the body part thereof without the upper transparent cover, the lower transparent cover and the support member in FIG. 4 for ease of illustration;

FIG. 10 is an enlarged left side elevational view of the body part thereof without the upper transparent cover, the lower transparent cover and the support member in FIG. 5 for ease of illustration; and,

FIG. 11 is an enlarged rear elevational view of the body part thereof without the upper transparent cover, the lower transparent cover and the support member in FIG. 3 for ease of illustration.

(Continued)



In the drawings, the broken lines depict environmental subject matter only and form no part of the claimed design.

1 Claim, 10 Drawing Sheets

(58) Field of Classification Search

CPC G03B 21/145; G03B 21/14; G03B 21/12;
G03B 21/001; G03B 21/003; G03B 21/00
See application file for complete search history.

(56) References Cited

U.S. PATENT DOCUMENTS

D364,388 S * 11/1995 Miyahara D14/423
6,604,829 B2 * 8/2003 Rodriguez, Jr. G03B 21/145
348/E5.137
D518,081 S * 3/2006 Peard D16/225
8,002,419 B2 * 8/2011 Amano G03B 21/10
353/119
D764,563 S * 8/2016 Magi D16/221
9,491,423 B2 * 11/2016 Ko G03B 21/145
2014/0204347 A1 * 7/2014 Murphy G03B 21/145
353/57
2016/0188123 A1 * 6/2016 Fujiune G03B 21/145
345/156
2018/0063496 A1 * 3/2018 Kasuga G03B 21/145

OTHER PUBLICATIONS

Shibuya et al., Design U.S. Appl. No. 29/601,568, filed Apr. 24, 2017.
Shibuya et al., Design U.S. Appl. No. 29/607,682, filed Jun. 15, 2017.

* cited by examiner

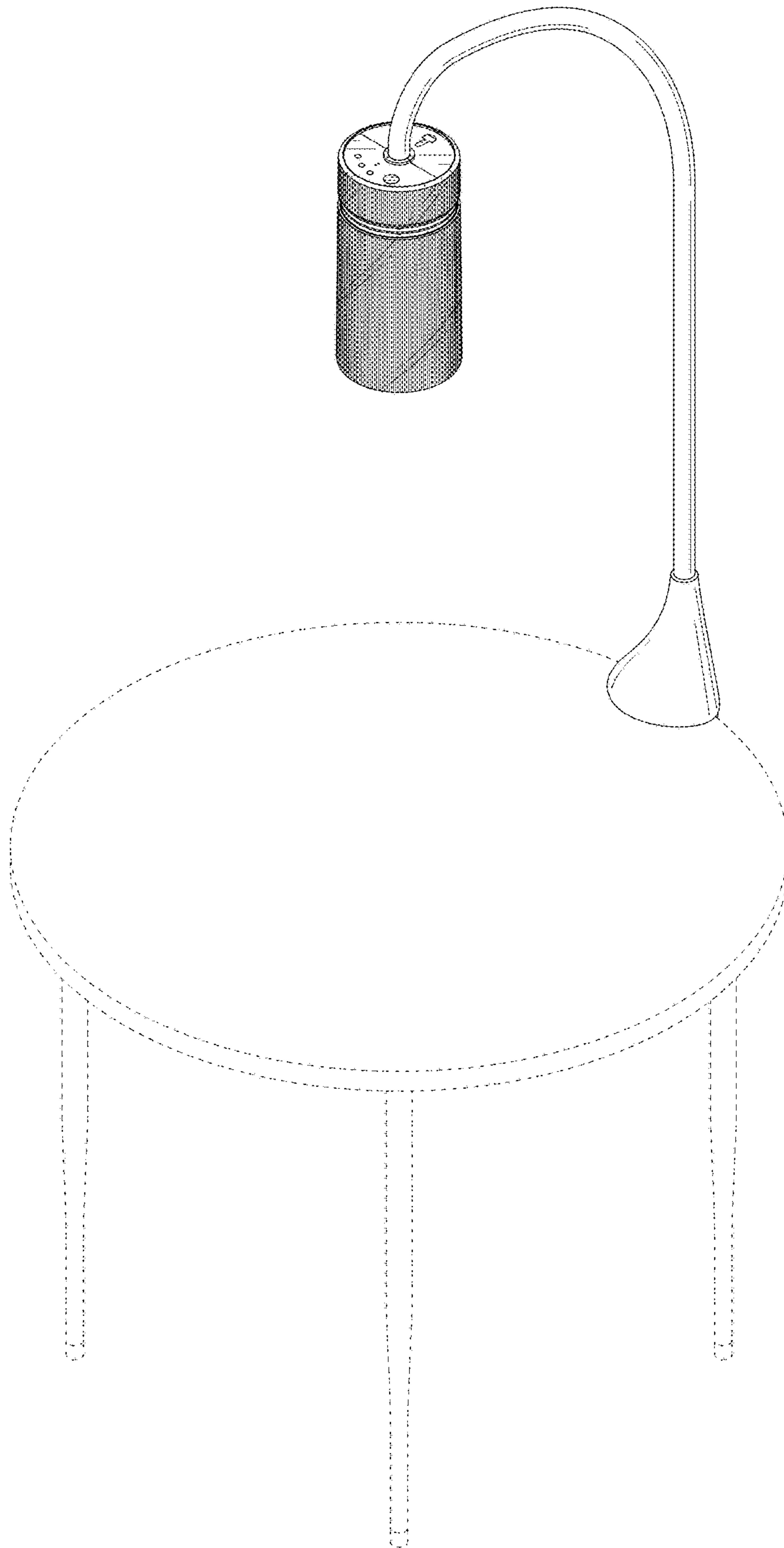


FIG. 1

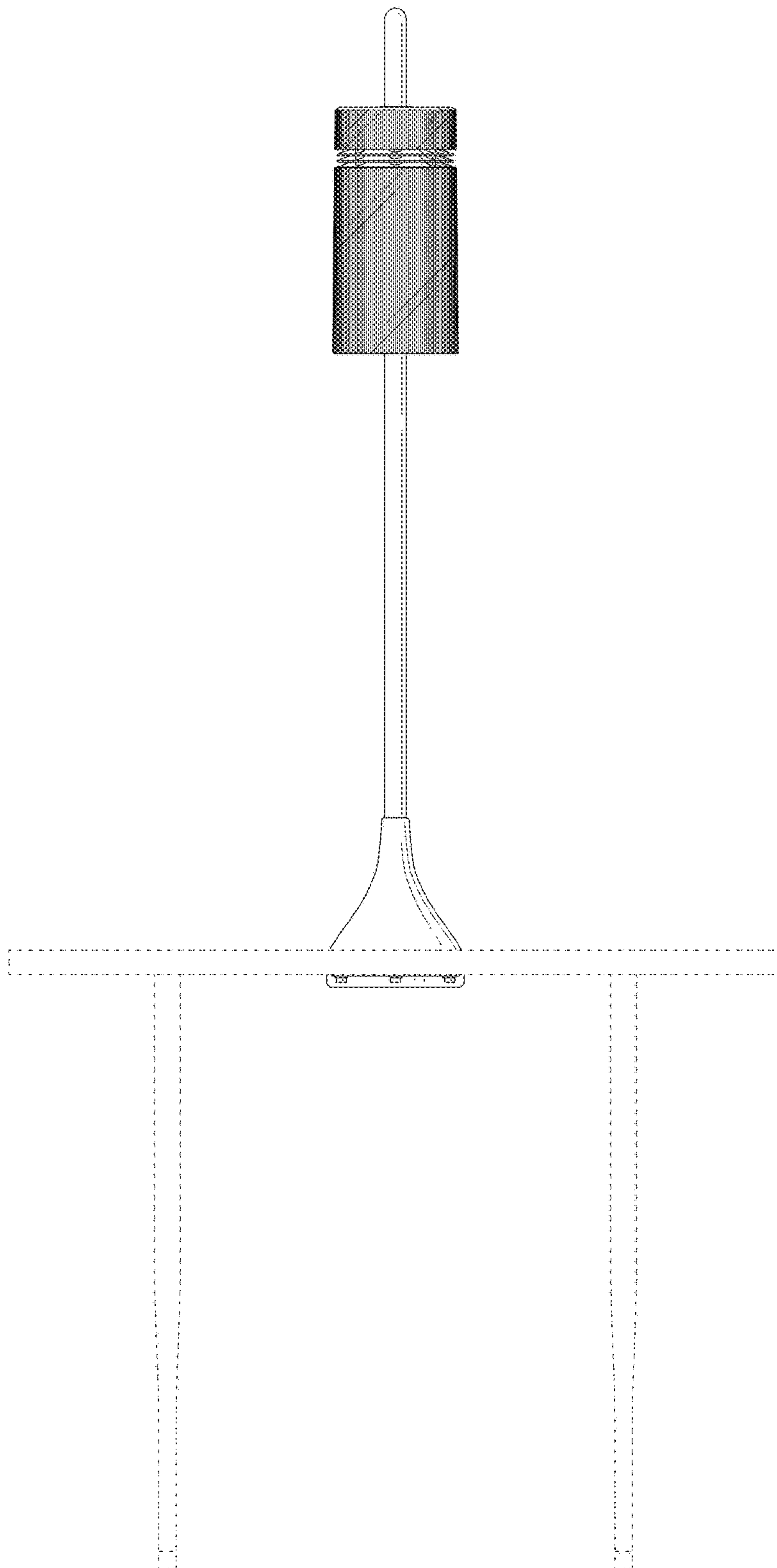


FIG. 2

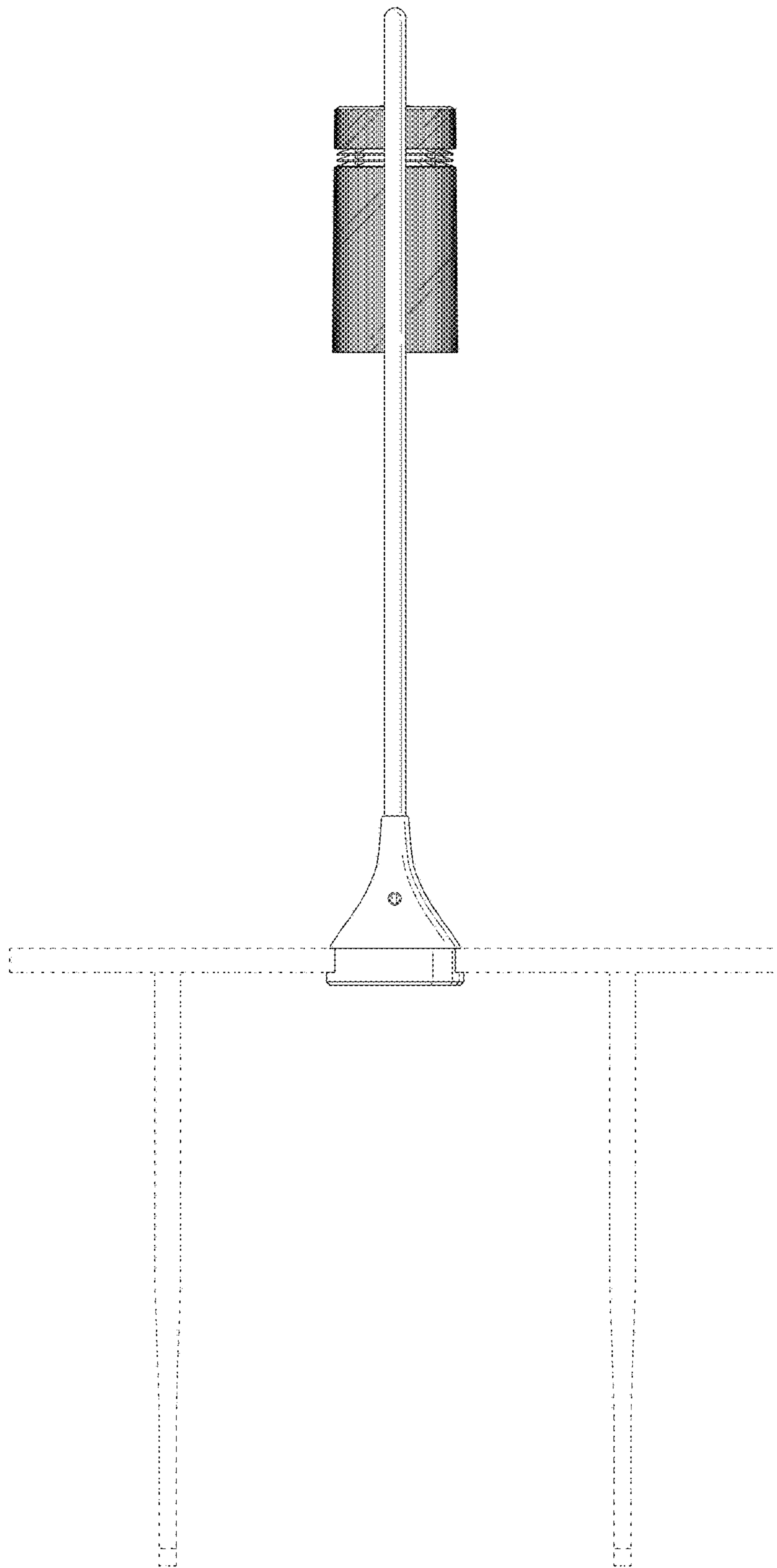


FIG. 3

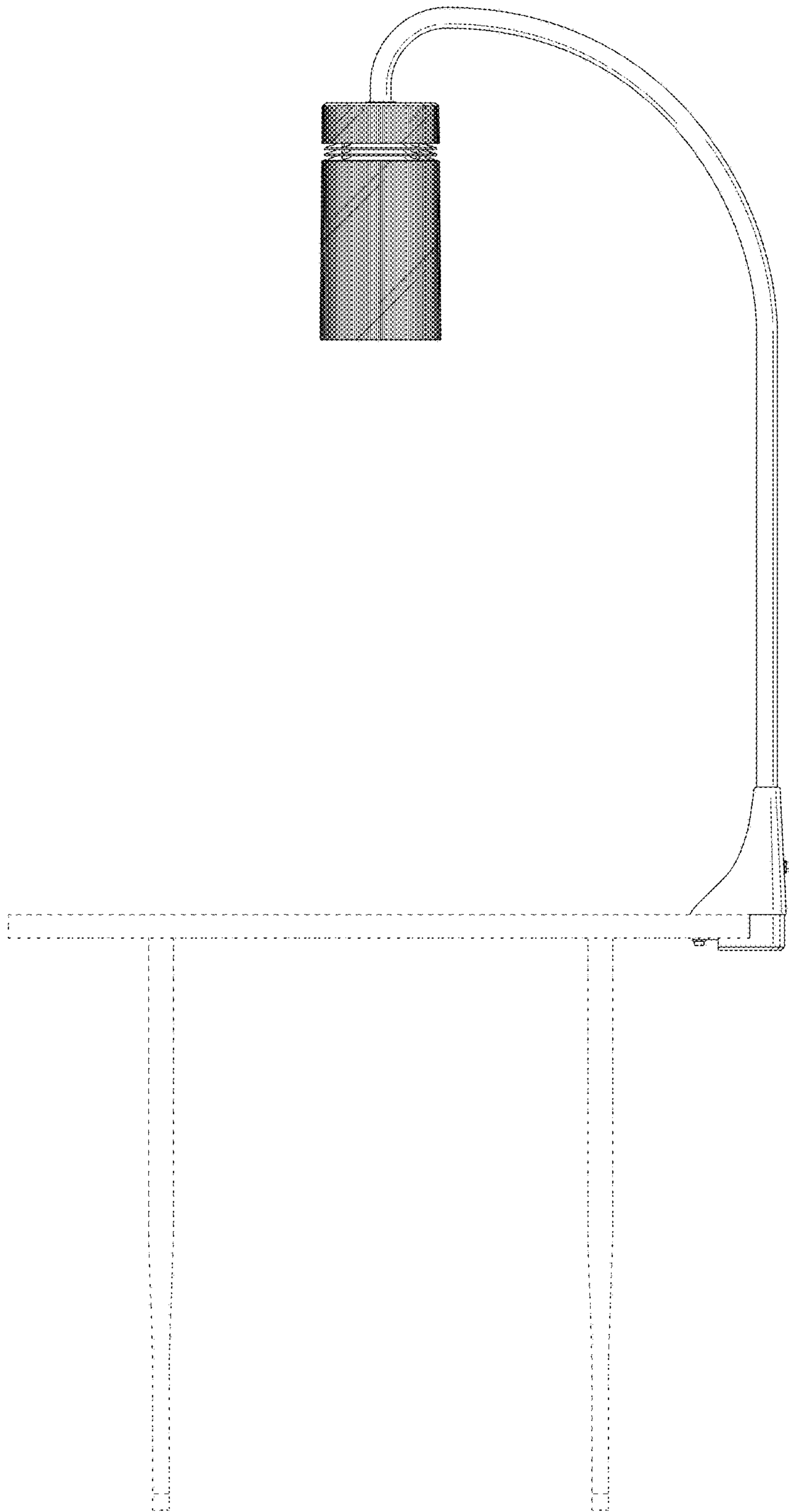


FIG. 4

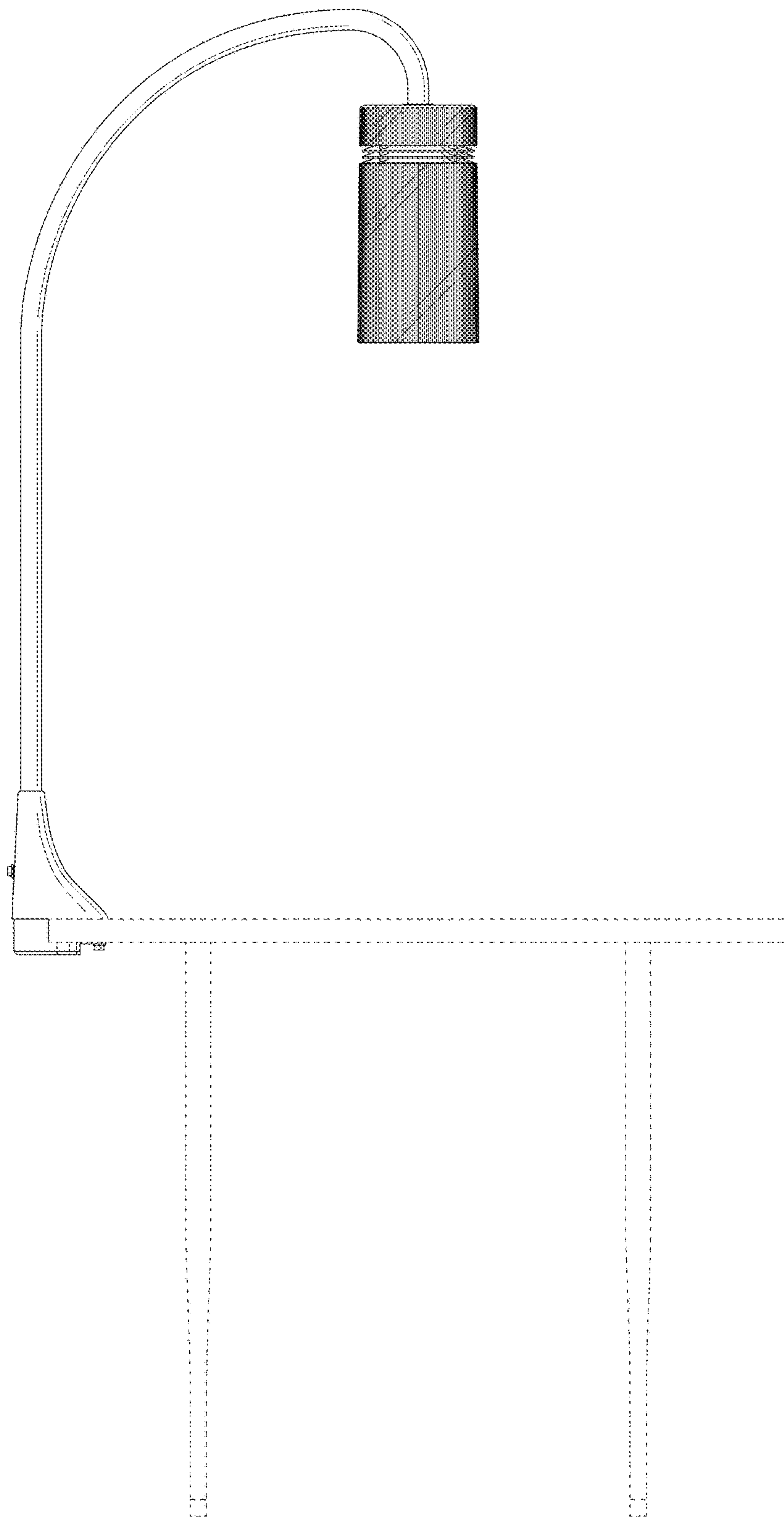


FIG. 5

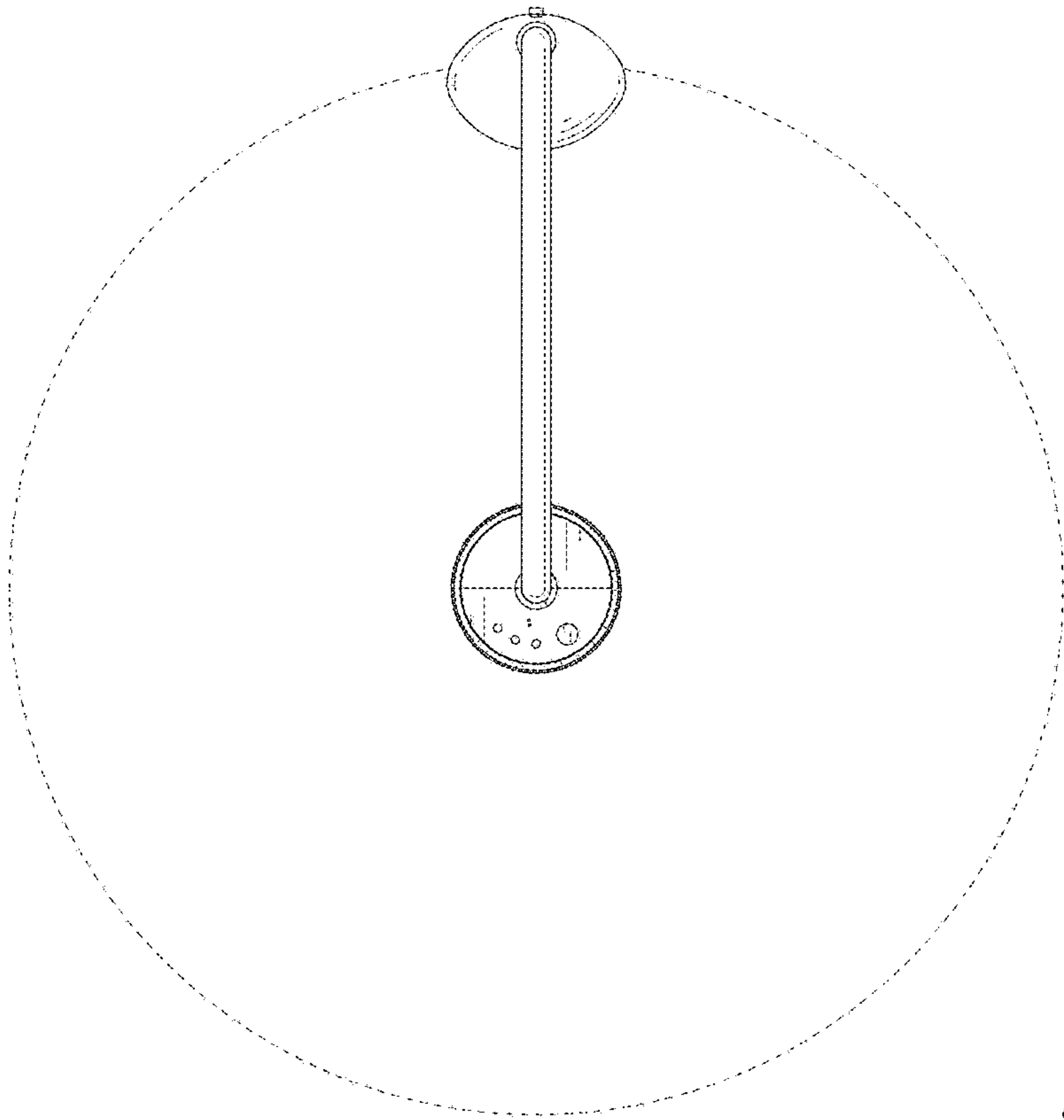


FIG. 6

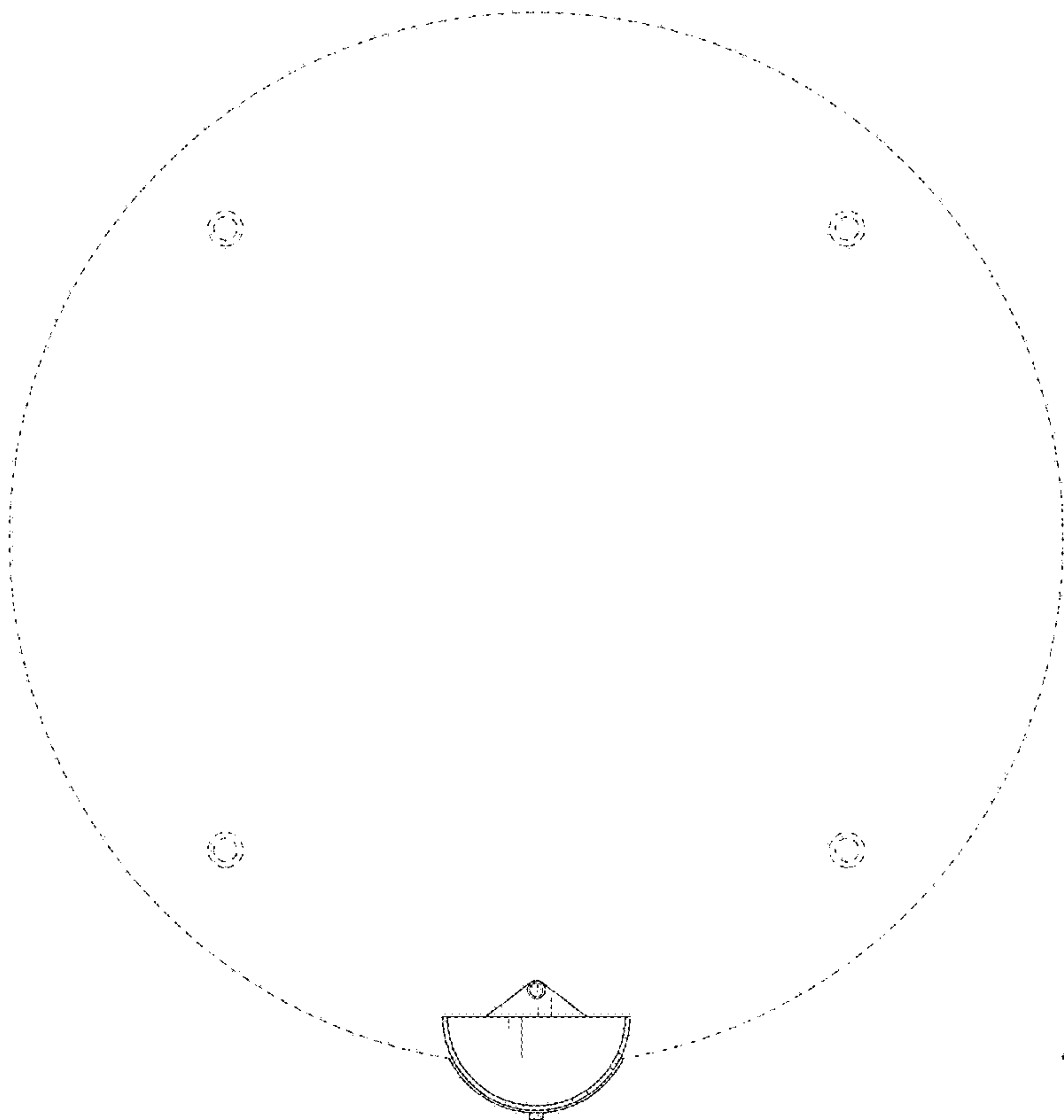


FIG. 7

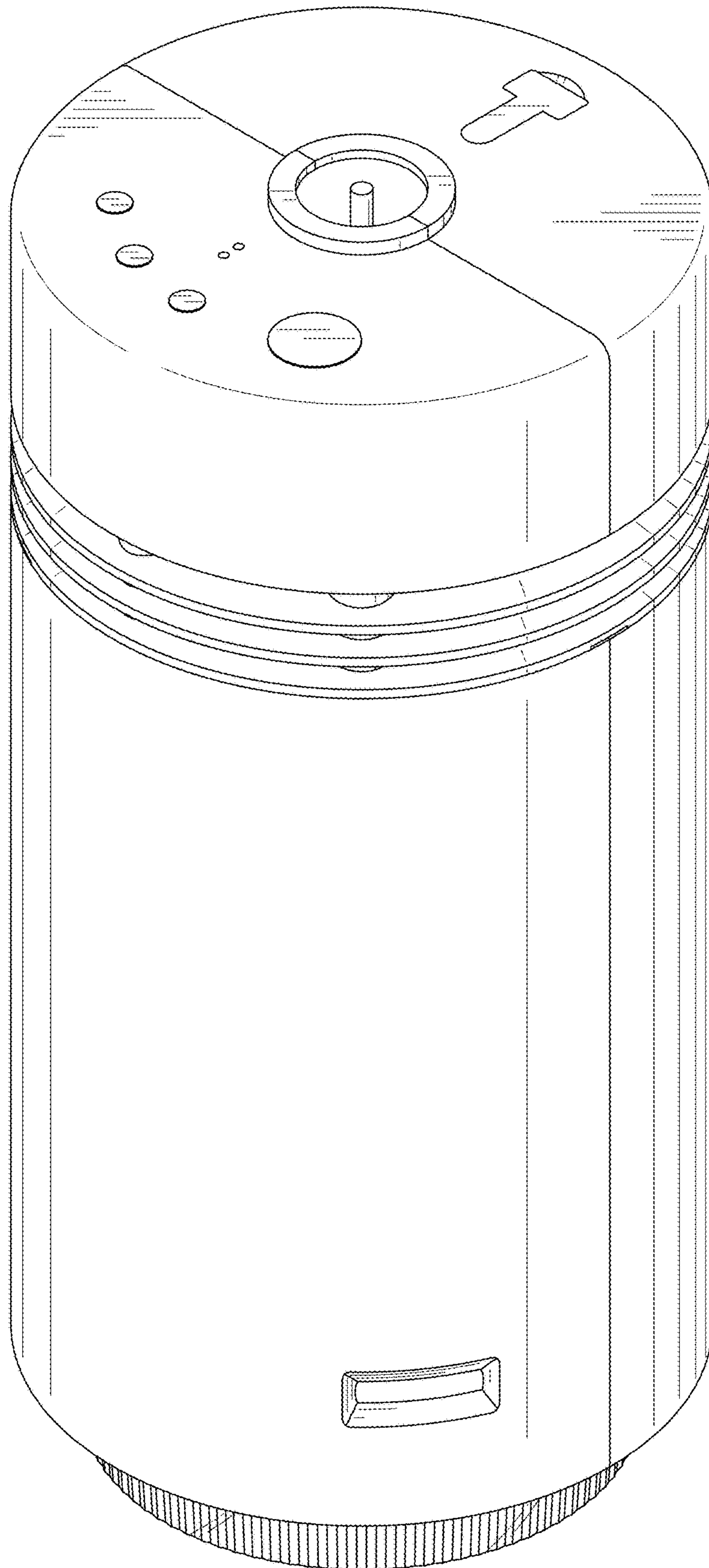


FIG. 8

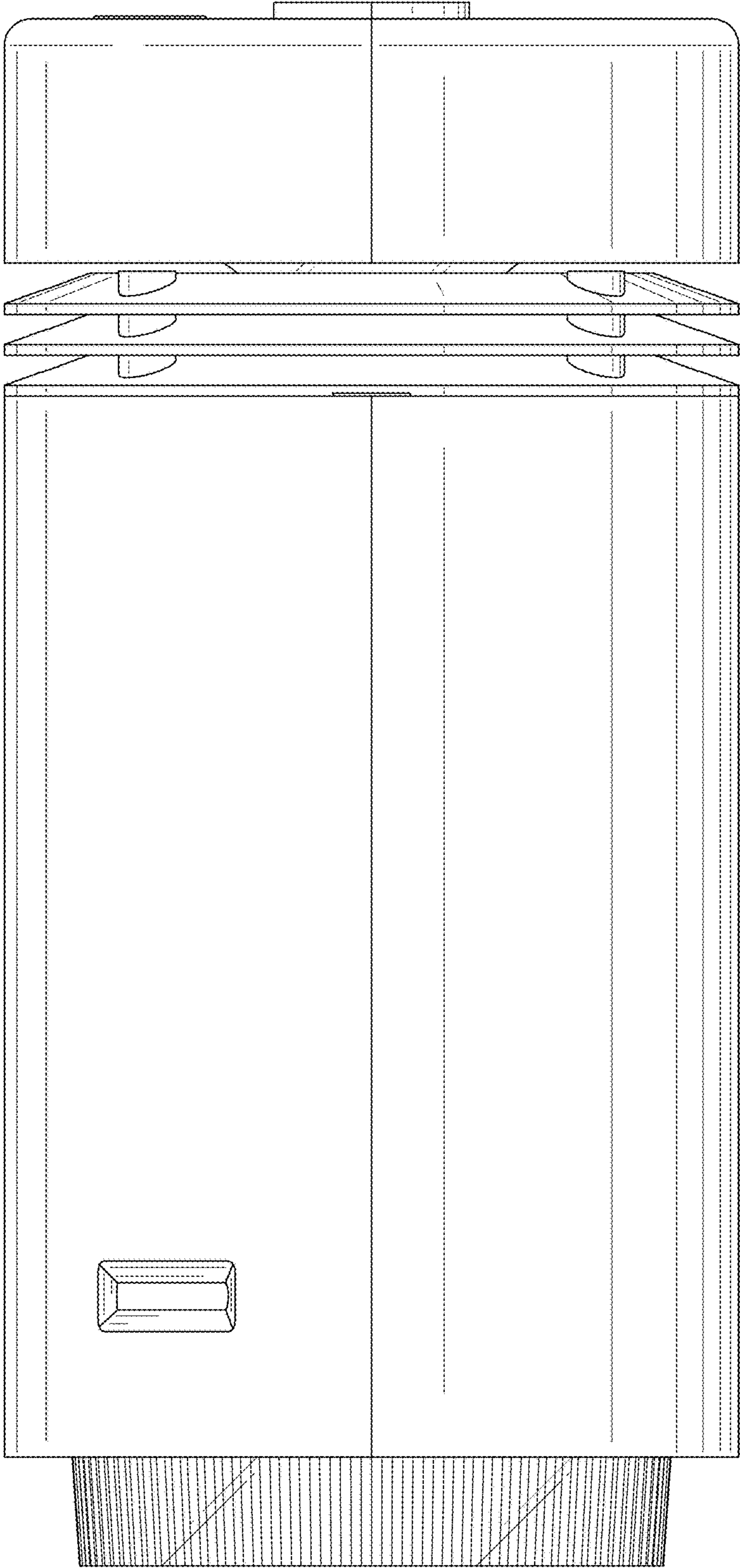


FIG. 9

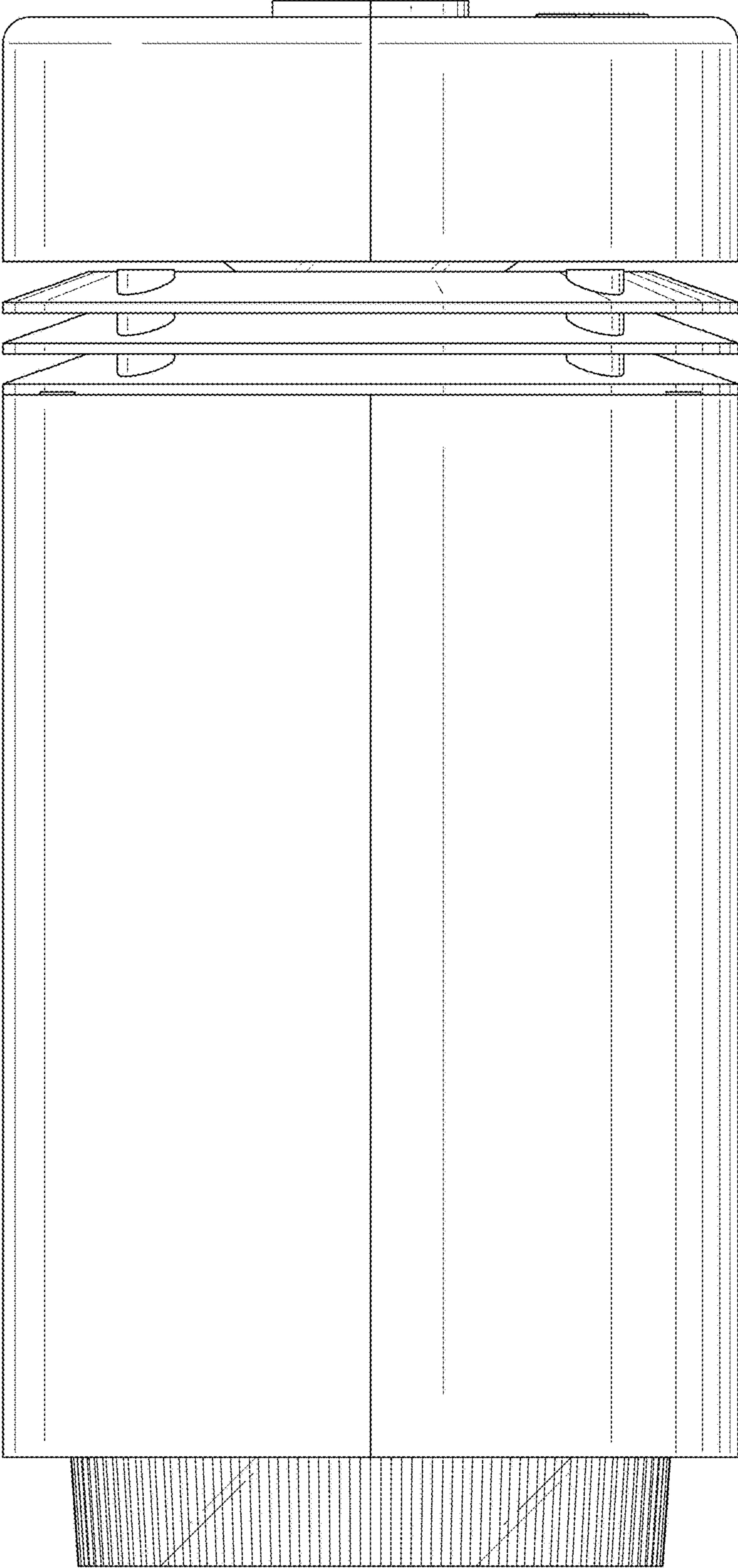


FIG. 10

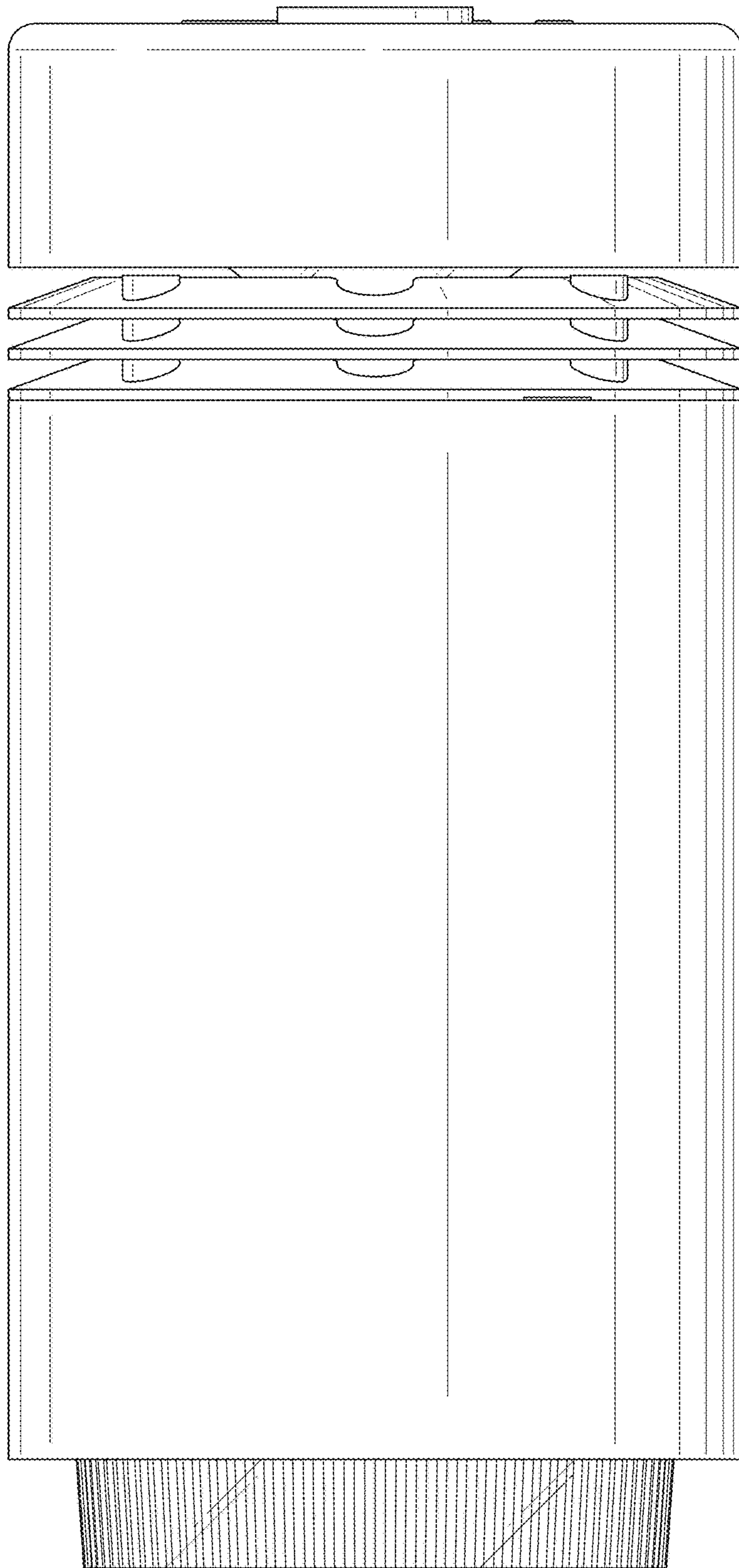


FIG. 11