



US00D828863S

(12) **United States Design Patent** (10) **Patent No.:** **US D828,863 S**
Wang et al. (45) **Date of Patent:** **** Sep. 18, 2018**

(54) **CAMERA**

(56) **References Cited**

(71) Applicant: **Shenzhen Arashi Vision Co., Ltd.**,
Shenzhen (CN)

U.S. PATENT DOCUMENTS

(72) Inventors: **Yimin Wang**, Shenzhen (CN);
Jingkang Liu, Shenzhen (CN)

D349,907 S *	8/1994	Allmendinger	D16/202
D388,803 S *	1/1998	Shinano	D14/389
D389,500 S *	1/1998	Krekelberg	D16/202
D394,868 S *	6/1998	Lee	D16/202
D398,018 S *	9/1998	Lee	D16/202
D412,003 S *	7/1999	Sumida	D16/202
8,279,544 B1 *	10/2012	O'Neill	G02B 7/14 359/819
D678,379 S *	3/2013	O'Neill	D14/511
D708,247 S *	7/2014	Ookawa	D16/203
D726,796 S *	4/2015	O'Neill	D16/134
D729,299 S *	5/2015	Adams	D16/208
D739,452 S *	9/2015	Adams	D16/203
9,454,066 B2 *	9/2016	O'Neill	G03B 17/565

(73) Assignee: **SHENZHEN ARASHI VISION CO., LTD.**, Shenzhen (CN)

(**) Term: **15 Years**

(21) Appl. No.: **29/562,581**

* cited by examiner

(22) Filed: **Apr. 27, 2016**

Primary Examiner — Philip S Hyder

(30) **Foreign Application Priority Data**

Assistant Examiner — Ramzi S Almatrahi

Dec. 29, 2015 (CN) 2015 3 0564430

(51) **LOC (11) Cl.** **16-01**

(57) **CLAIM**

(52) **U.S. Cl.**

The ornamental design for a camera, as shown and described.

USPC **D16/218**

DESCRIPTION

(58) **Field of Classification Search**

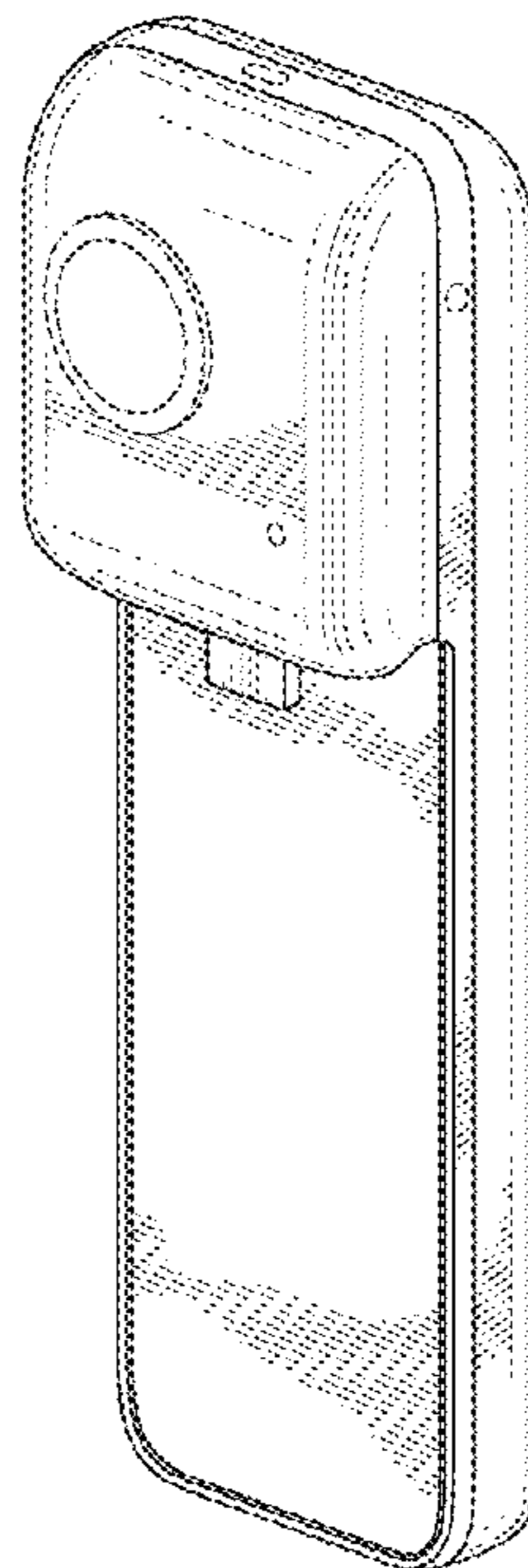
USPC D16/134, 136, 200, 202–206, 208, 218,
D16/219, 237, 242; D14/203.3, 203.4,
D14/250, 345, 440, 449; 348/373–376;
396/535, 539–541

FIG. 1 is a front perspective view of a camera.
FIG. 2 is a front elevation view of the camera.
FIG. 3 is a rear elevation view of the camera.
FIG. 4 is a left side elevation view of the camera.
FIG. 5 is a top plan view of the camera; and,
FIG. 6 is a bottom plan view of the camera.
The broken lines depict portions of the camera in which the design is embodied that form no part of the claimed design.

CPC G03B 15/03; G03B 17/02; G03B 17/04;
G03B 17/56; G03B 19/04; H04N 5/2251;
H04N 5/2252; H04N 5/2253; H04N
5/2254; H04N 2101/00

See application file for complete search history.

1 Claim, 5 Drawing Sheets



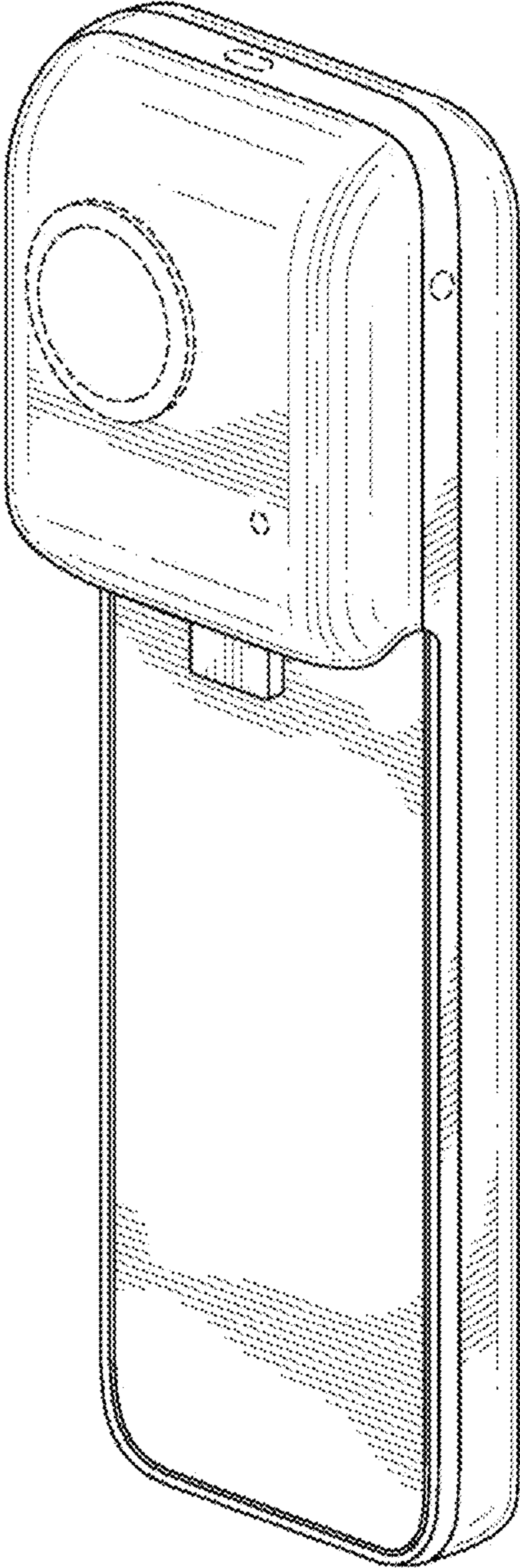


FIG. 1

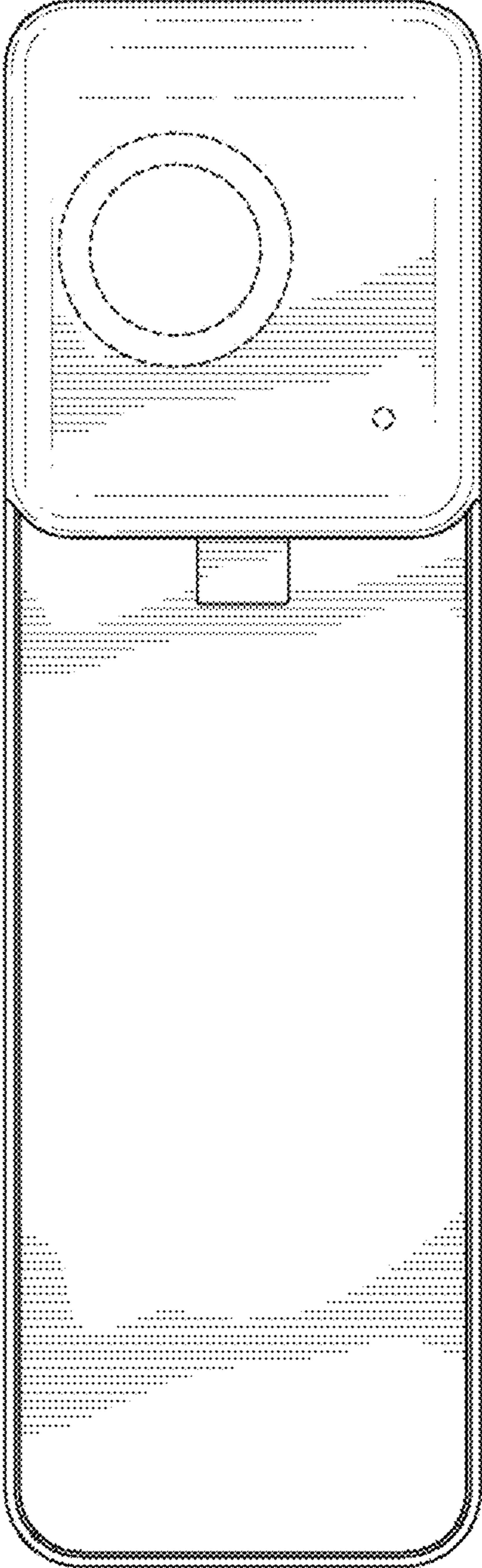


FIG. 2

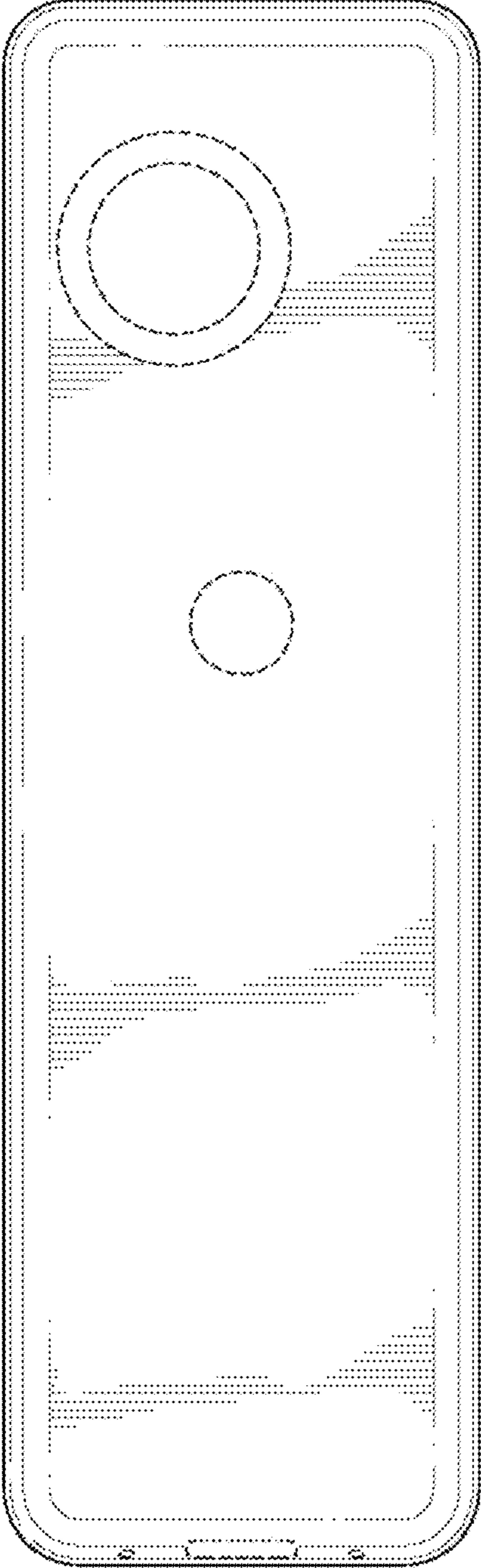


FIG. 3

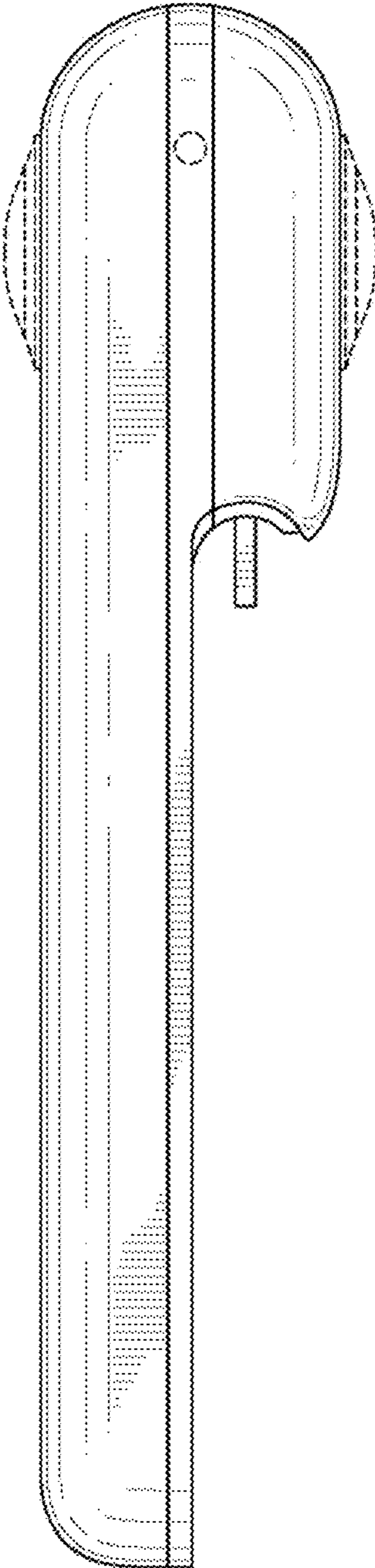


FIG. 4

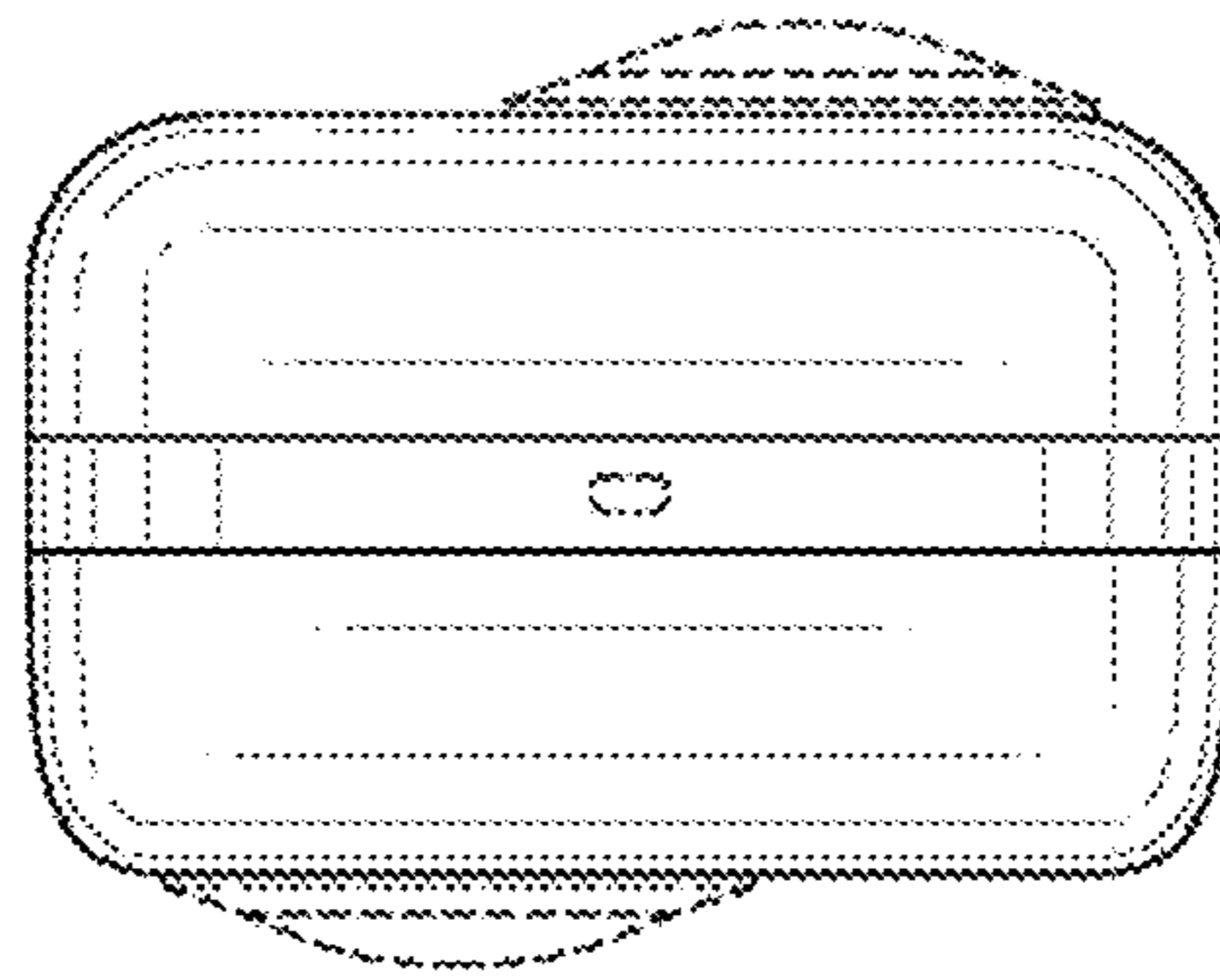


FIG. 5

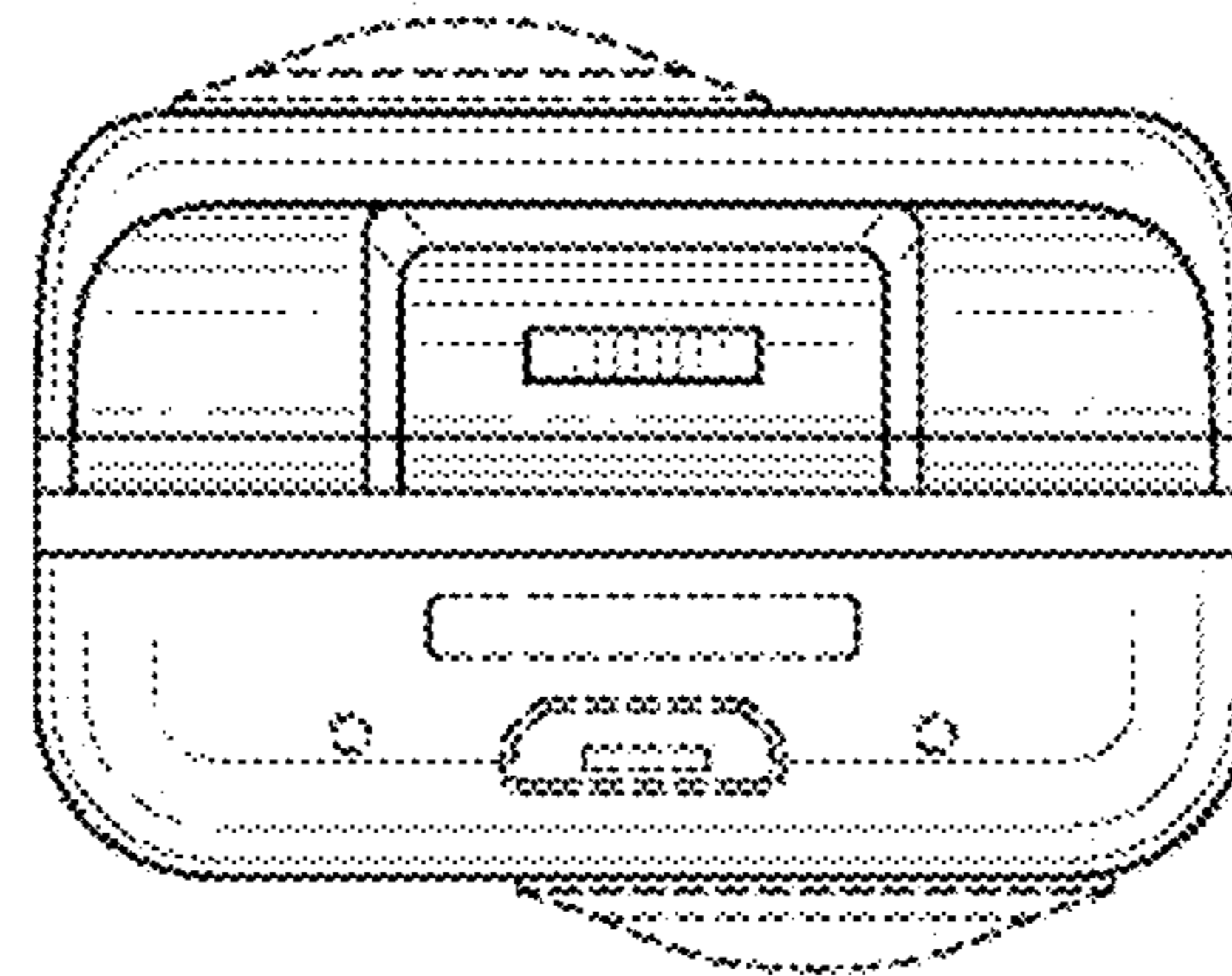


FIG. 6