

US00D828862S

(12) **United States Design Patent**
Fang

(10) **Patent No.:** **US D828,862 S**

(45) **Date of Patent:** **** Sep. 18, 2018**

(54) **BORESCOPE**

(71) Applicant: **Ningbo hi-tech zone CVS Borescope
tech Co., Ltd., Ningbo (CN)**

(72) Inventor: **Xinlei Fang, Ningbo (CN)**

(**) Term: **15 Years**

(21) Appl. No.: **29/606,663**

(22) Filed: **Jun. 6, 2017**

(51) **LOC (11) Cl.** **16-99**

(52) **U.S. Cl.**
USPC **D16/130; D10/78; D24/138**

(58) **Field of Classification Search**
USPC **D10/46, 78; D16/130, 200, 202, 203;
D24/138**

CPC **G02B 23/16; G02B 23/24; G02B 23/2415;
G02B 23/2476; G02B 23/2492; G02B
23/26**

See application file for complete search history.

(56) **References Cited**

U.S. PATENT DOCUMENTS

D436,118 S * 1/2001 London D16/130
7,584,534 B2 * 9/2009 Pease A61B 1/00052
29/592.1

7,902,990 B2 * 3/2011 Delmonico H02J 7/0047
340/539.11

8,911,361 B2 * 12/2014 Hosaka G02B 23/2476
600/131

D727,756 S * 4/2015 Stancato D10/78

9,451,215 B2 * 9/2016 Doi H04N 7/18

9,736,342 B2 * 8/2017 Mueckl H04N 5/2252

* cited by examiner

Primary Examiner — Antoine D Davis

(74) *Attorney, Agent, or Firm* — Wayne & King LLC

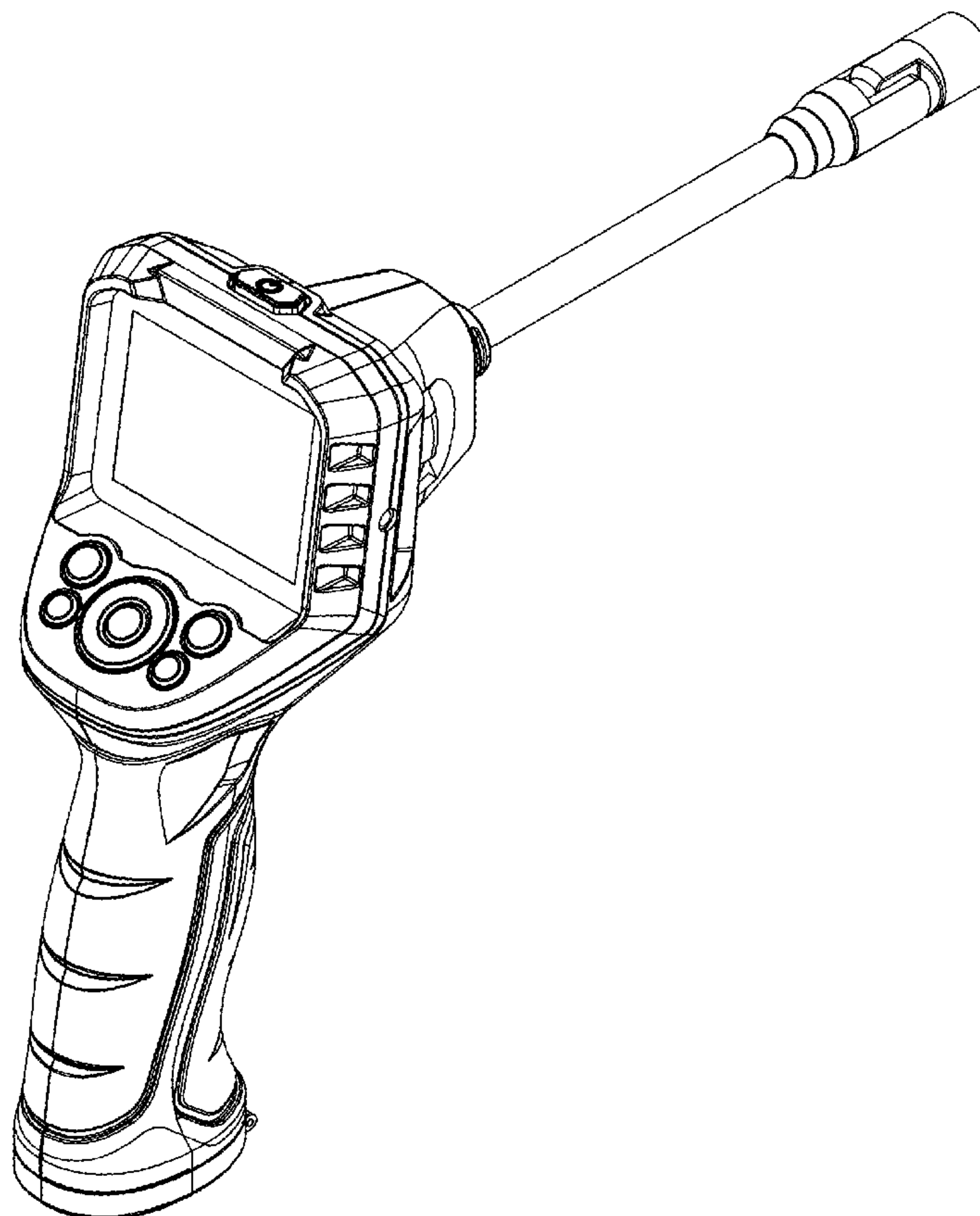
(57) **CLAIM**

The ornamental design for borescope, a shown and described.

DESCRIPTION

FIG. 1 is a perspective view showing my design;
FIG. 2 is a front view showing my design;
FIG. 3 is a back view showing my design;
FIG. 4 is a left side view showing my design;
FIG. 5 a right side view showing my design;
FIG. 6 is a top plan view showing my design; and,
FIG. 7 is a bottom plan view showing my design.

1 Claim, 7 Drawing Sheets



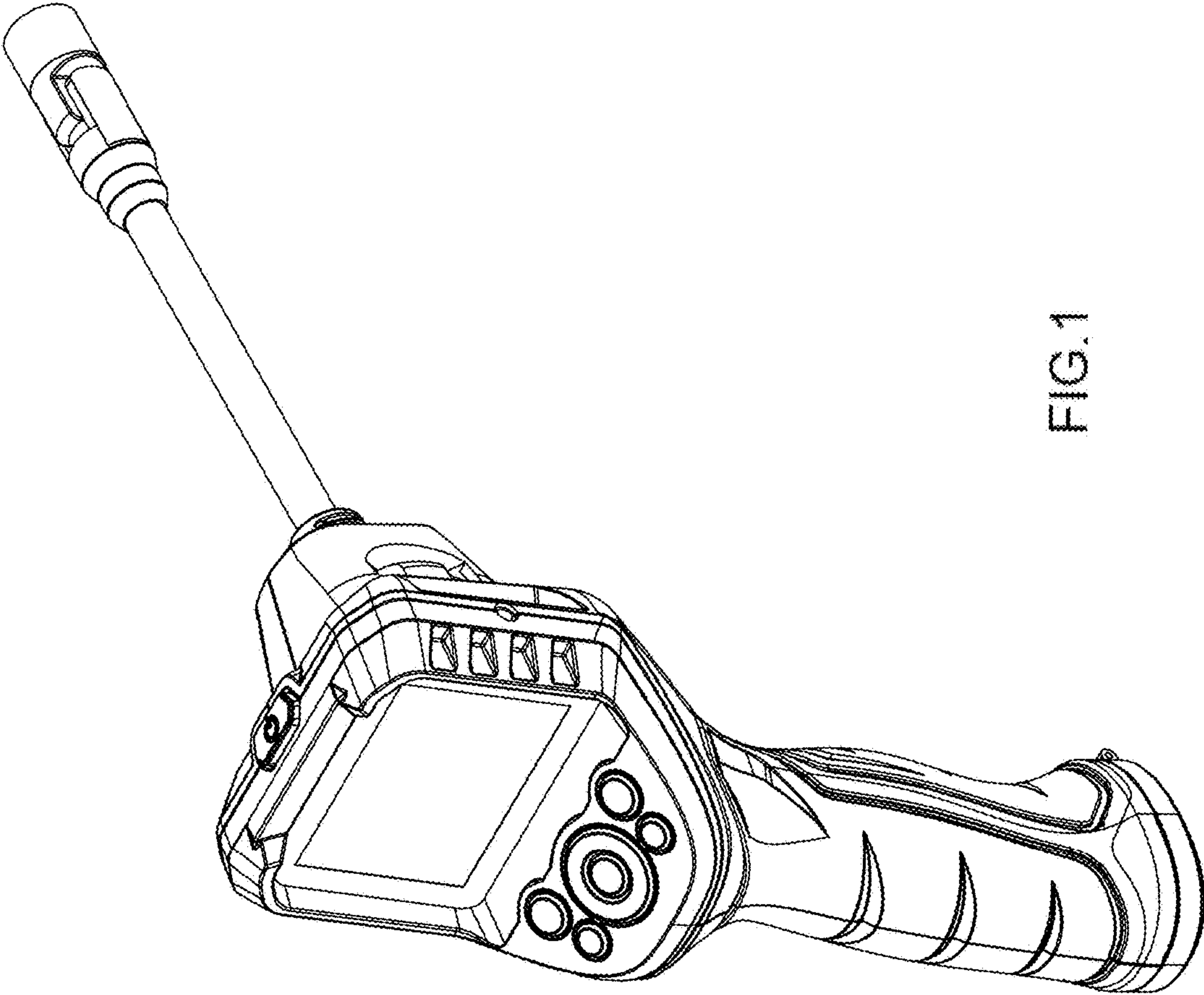


FIG.1

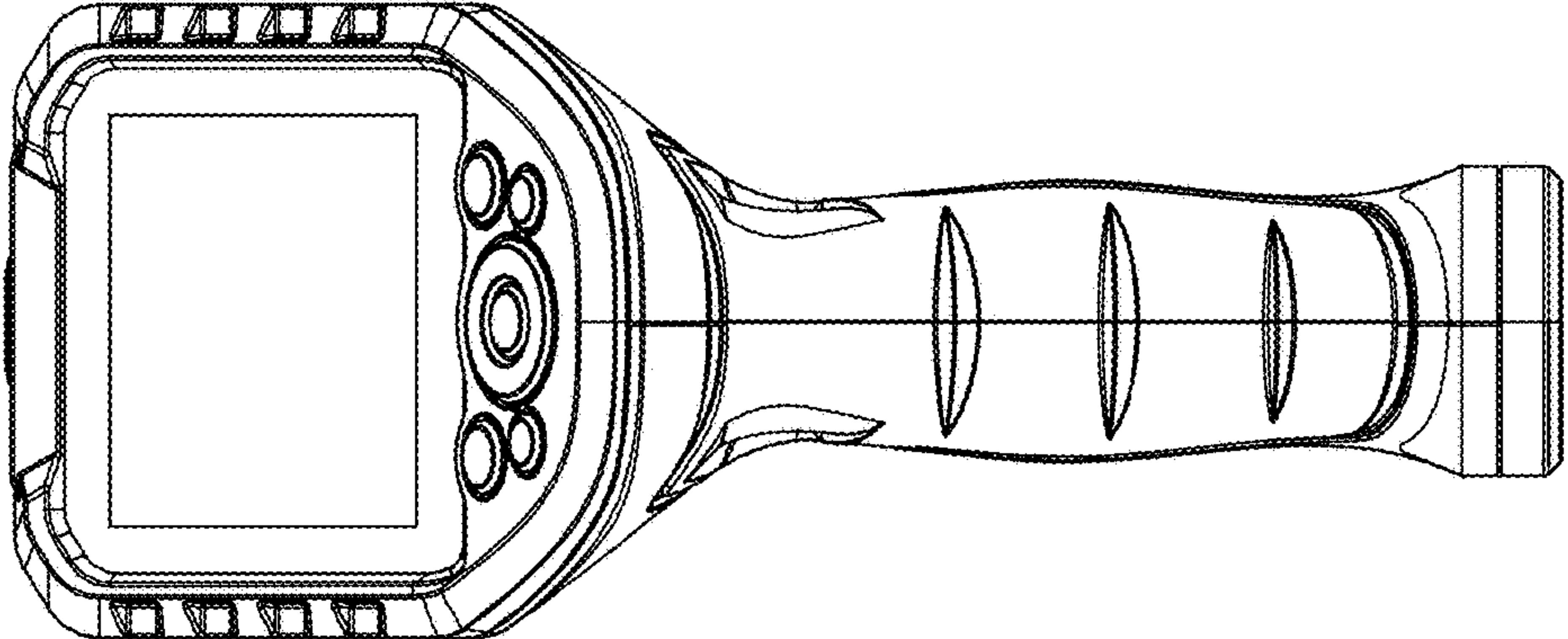


FIG.2

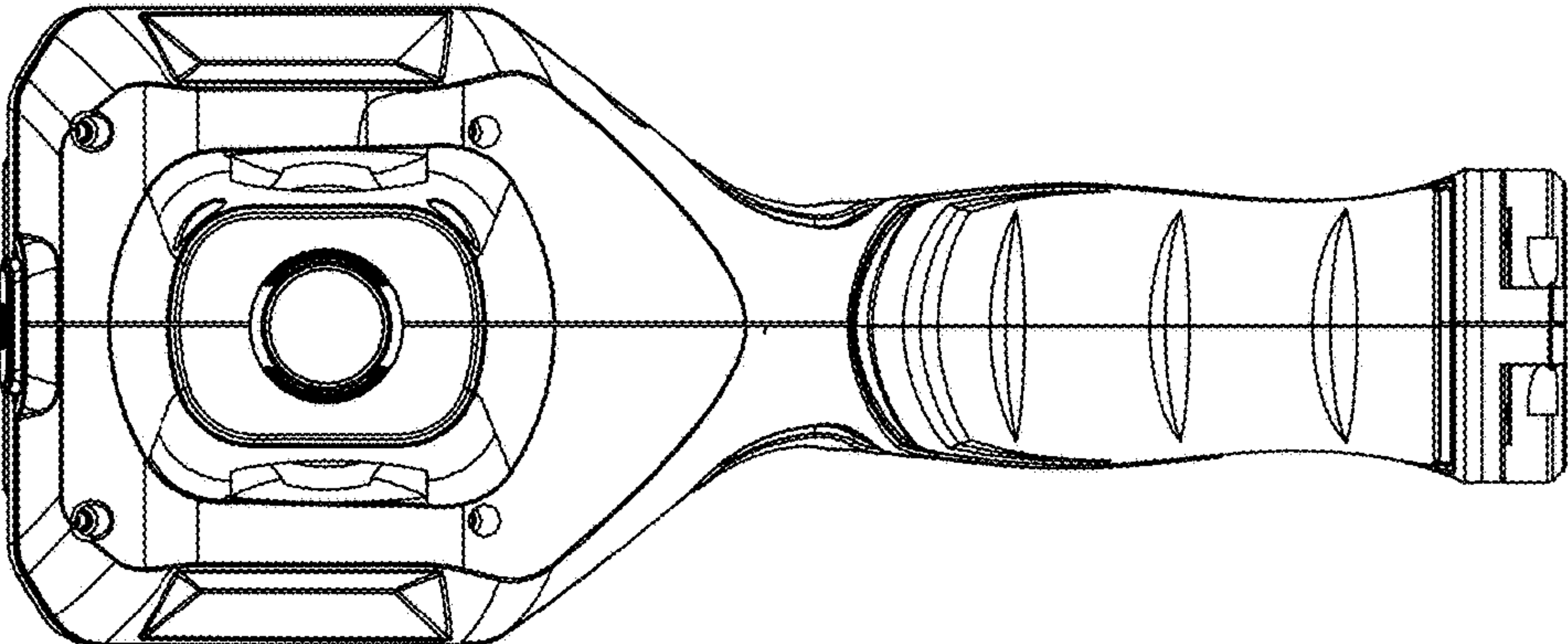


FIG.3

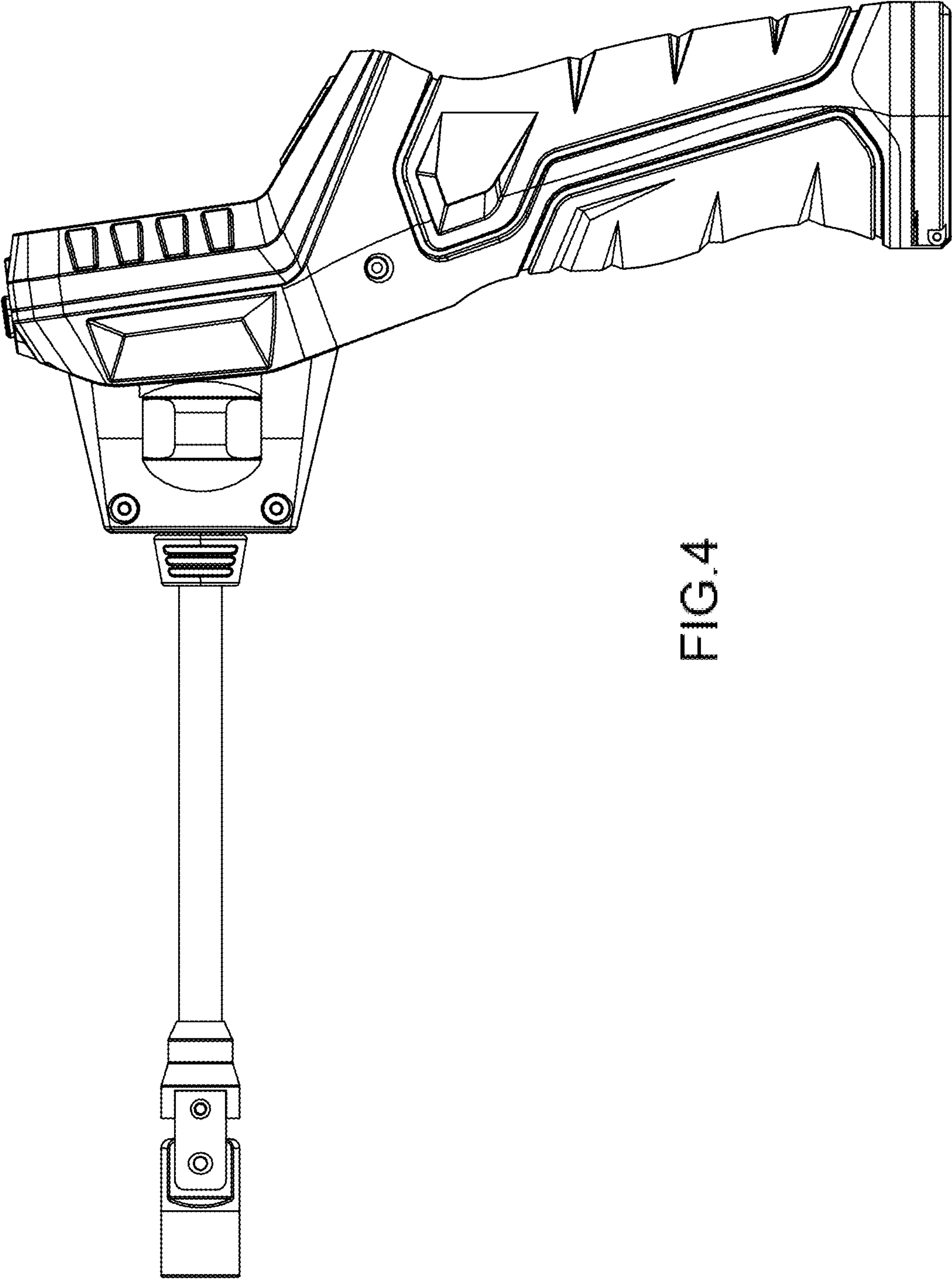


FIG.4

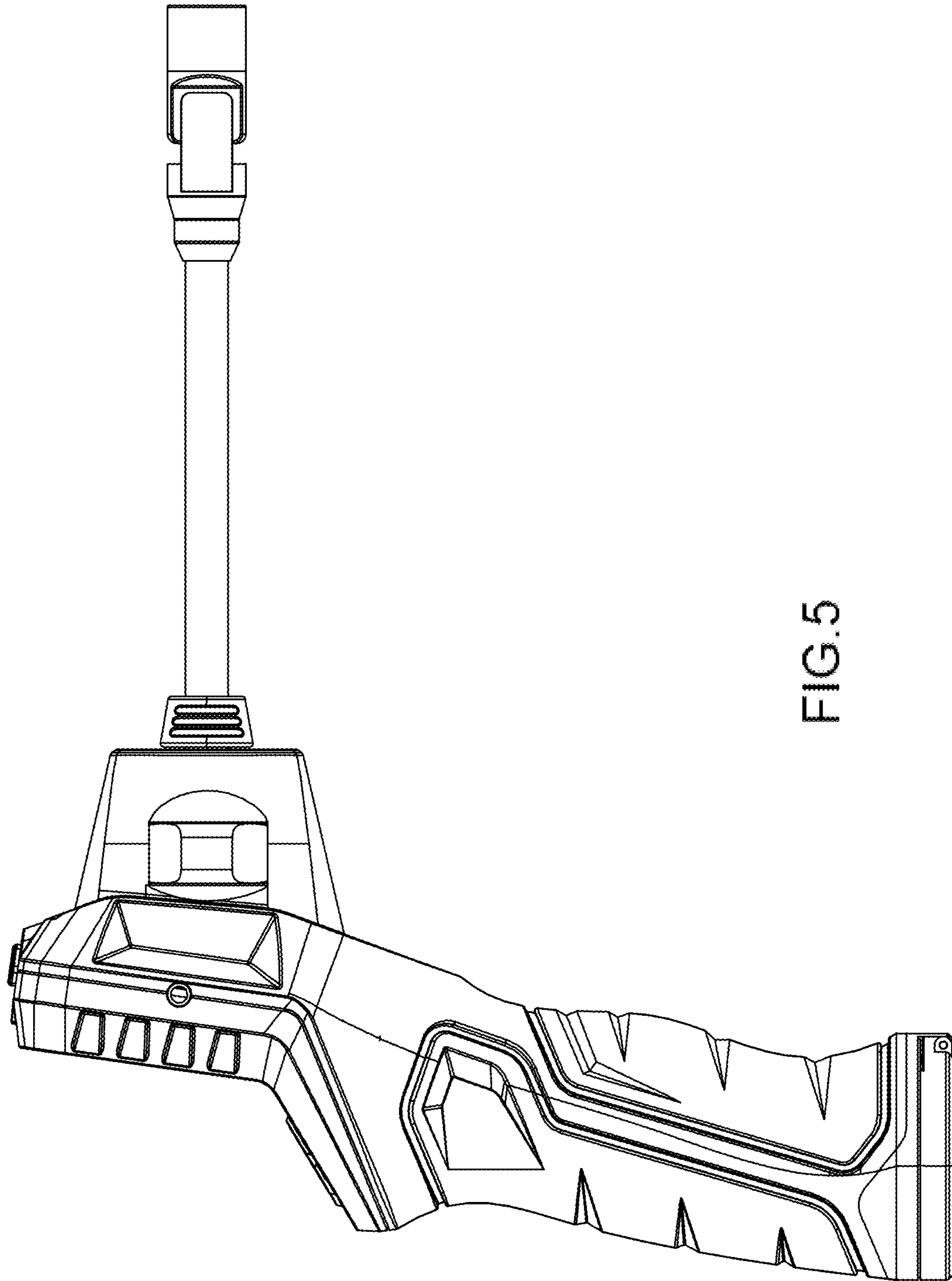
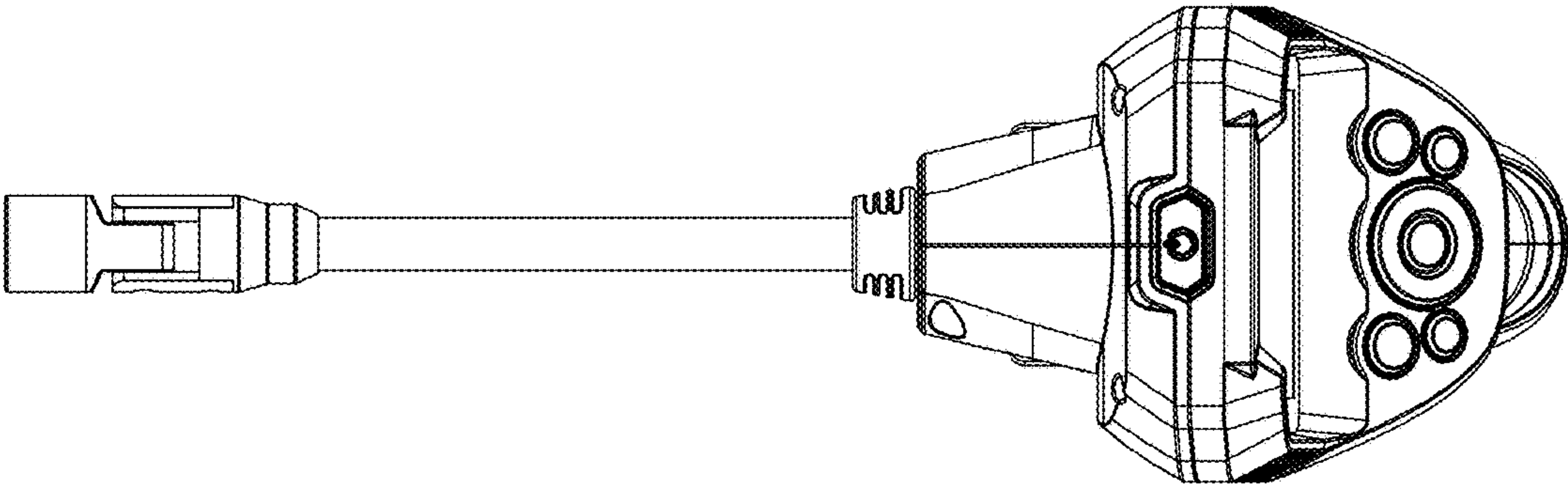


FIG. 5

FIG. 6



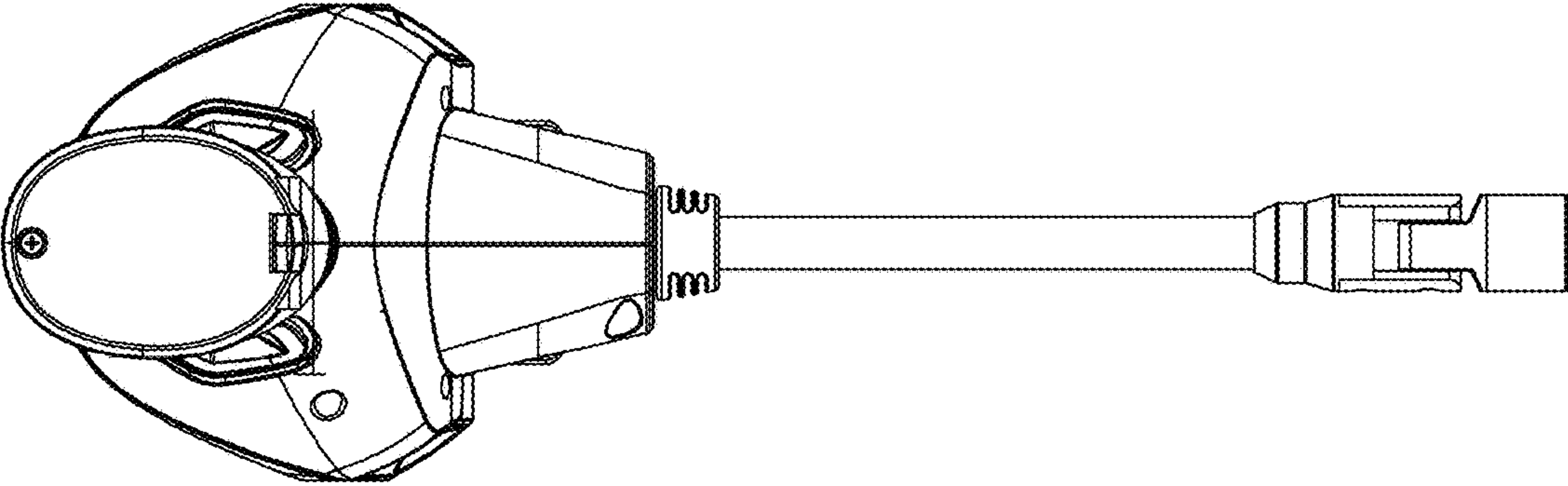


FIG.7