



US00D828860S

(12) **United States Design Patent** (10) **Patent No.:** **US D828,860 S**  
**Fenton et al.** (45) **Date of Patent:** **\*\* Sep. 18, 2018**

(54) **HAND-HELD DEVICE**  
(71) Applicant: **OC10, LLC**, Jamaica Plain, MA (US)  
(72) Inventors: **Paul Fenton**, Marblehead, MA (US);  
**Dave Dufour**, Jamaica Plain, MA (US);  
**Gary Streeter**, Jamaica Plain, MA  
(US); **Ben Streeter**, Jamaica Plain, MA  
(US); **Sam Kjellman**, Jamaica Plain,  
MA (US); **Alan Ball**, Jamaica Plain,  
MA (US)

3,765,973 A 10/1973 Kramer  
3,886,870 A 6/1975 Pelabon  
3,936,971 A 2/1976 McGahee  
3,970,735 A 7/1976 Nelson  
4,011,869 A 3/1977 Seiler, Jr.  
4,631,685 A 12/1986 Peter  
4,700,818 A 10/1987 Orwin  
4,916,850 A 4/1990 Dodge  
4,937,966 A 7/1990 McKenzie

(Continued)

**FOREIGN PATENT DOCUMENTS**

DE 7022038 6/1970  
DE 2832550 2/1980

(Continued)

*Primary Examiner* — Patricia A Palasik  
(74) *Attorney, Agent, or Firm* — Pandiscio & Pandiscio

(\*\*) Term: **15 Years**  
(21) Appl. No.: **29/556,971**  
(22) Filed: **Mar. 4, 2016**  
(51) **LOC (11) Cl.** ..... **15-09**  
(52) **U.S. Cl.**  
USPC ..... **D15/144**  
(58) **Field of Classification Search**  
USPC ..... D14/329, 331, 346; D15/144, 144.1,  
D15/144.2  
CPC ..... B23K 11/31  
See application file for complete search history.

(57) **CLAIM**

The ornamental design for a hand-held device, as shown and described.

**DESCRIPTION**

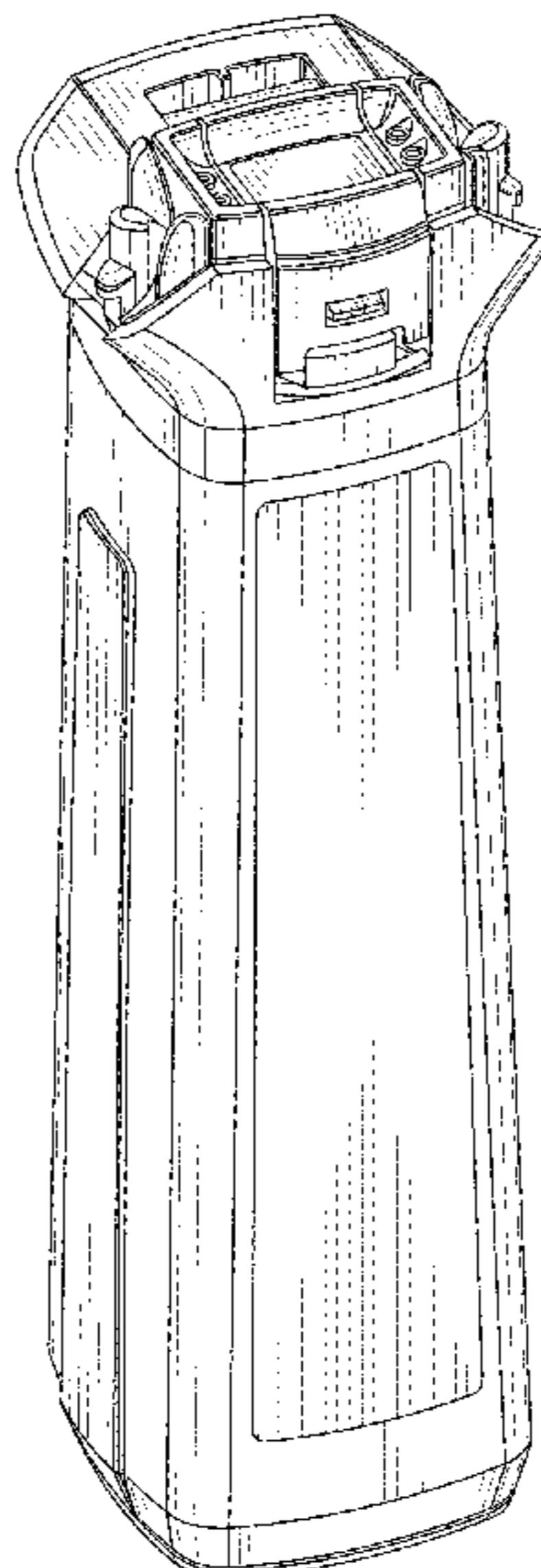
FIG. 1 is a top left perspective view of the hand-held device; FIG. 2 is a front view of the hand-held device, taken from the frame of reference of FIG. 1; FIG. 3 is a rear view of the hand-held device, taken from the frame of reference of FIG. 1; FIG. 4 is a right side view of the hand-held device, taken from the frame of reference of FIG. 1; FIG. 5 is a left side view of the hand-held device, taken from the frame of reference of FIG. 1; FIG. 6 is a top view of the hand-held device, taken from the frame of reference of FIG. 1; FIG. 7 is a bottom view of the hand-held device, taken from the frame of reference of FIG. 1; and, FIG. 8 is a bottom right perspective view of the hand-held device, taken from the frame of reference of FIG. 1.

(56) **References Cited**

**U.S. PATENT DOCUMENTS**

893,173 A 7/1908 Kunze  
2,449,349 A 9/1948 Waugh et al.  
2,617,914 A 11/1952 Keller et al.  
2,995,159 A 8/1961 Berggren  
3,040,153 A 6/1962 Seney  
3,184,354 A 5/1965 Strother  
3,284,257 A 11/1966 Soloff et al.  
3,419,924 A 1/1969 Archibald  
3,512,223 A 5/1970 Willinger  
3,608,034 A 9/1971 Bramley et al.  
3,629,541 A \* 12/1971 Mims ..... B23K 11/31  
219/86.21  
3,690,994 A 9/1972 Williams

**1 Claim, 7 Drawing Sheets**



(56)

References Cited

U.S. PATENT DOCUMENTS

5,042,190 A 8/1991 Calvin  
 5,084,058 A 1/1992 Li  
 5,133,723 A 7/1992 Li et al.  
 5,150,539 A 9/1992 Sorola  
 5,288,359 A 2/1994 Stobbie, IV et al.  
 5,507,760 A 4/1996 Wynne et al.  
 5,656,126 A \* 8/1997 Martinez ..... B29C 65/12  
 156/304.1  
 5,660,317 A 8/1997 Singer et al.  
 5,752,964 A 5/1998 Mericle  
 5,769,100 A 6/1998 Alexander  
 5,983,555 A 11/1999 Biel  
 6,038,806 A 3/2000 Maitland  
 6,086,806 A 7/2000 Weatherall et al.  
 6,135,124 A 10/2000 Grant  
 D440,294 S 4/2001 Bilek  
 6,313,439 B1 11/2001 Fischbach et al.  
 D453,332 S \* 2/2002 Herath ..... D14/341  
 6,382,496 B1 5/2002 Harger  
 D466,150 S 11/2002 Matsumoto et al.  
 D466,918 S 12/2002 Shiozaki et al.  
 6,508,030 B1 1/2003 Sovik  
 D477,357 S 7/2003 Nakajima et al.  
 6,703,750 B2 3/2004 Nakamura  
 6,789,724 B2 9/2004 Cordier et al.  
 6,793,750 B2 9/2004 Bittar  
 D500,836 S 1/2005 Nishi et al.  
 D501,459 S \* 2/2005 Sarich ..... D14/158  
 6,884,249 B2 4/2005 May et al.  
 D581,988 S \* 12/2008 Hall ..... D21/326  
 D592,732 S 5/2009 Sneddon et al.  
 D616,491 S 5/2010 Yomoda et al.  
 D636,017 S 4/2011 Takiguchi et al.  
 D636,477 S 4/2011 Anderson et al.  
 7,938,847 B2 5/2011 Fanton et al.  
 8,074,864 B2 12/2011 Lofton et al.  
 8,109,945 B2 2/2012 Boehlke  
 8,365,460 B2 2/2013 Brown  
 D697,131 S 1/2014 Hasui et al.  
 D705,287 S 5/2014 Schmid et al.  
 8,714,409 B2 5/2014 Muller-Paul  
 D707,819 S 6/2014 Nalagatla et al.  
 D711,502 S 8/2014 Savoy et al.  
 D712,356 S 9/2014 Windom  
 D712,507 S 9/2014 Hammerback  
 D714,863 S 10/2014 Borkovec et al.  
 D715,355 S 10/2014 Otsubo et al.  
 D716,909 S 11/2014 Hammarback  
 D723,462 S 3/2015 Druker et al.  
 D723,653 S 3/2015 Peterson

D725,470 S 3/2015 Wilcox et al.  
 D731,204 S 6/2015 Watson et al.  
 D733,871 S 7/2015 Wilcox et al.  
 D737,518 S 8/2015 Yiu  
 D742,550 S 11/2015 Mitchell  
 D749,382 S 2/2016 Matsuoka et al.  
 D752,732 S 3/2016 Ansley et al.  
 D755,344 S 5/2016 Reckin et al.  
 D762,812 S 8/2016 Branscomb et al.  
 D767,822 S 9/2016 Jordan et al.  
 D780,887 S 3/2017 Huda et al.  
 D781,376 S 3/2017 Hakukawa et al.  
 D782,259 S 3/2017 Rahm et al.  
 D796,574 S 9/2017 Kamoshida et al.  
 2002/0187076 A1 \* 12/2002 DiCesare ..... G01N 27/4074  
 422/98  
 2003/0000621 A1 1/2003 Bittar  
 2003/0120287 A1 6/2003 Gross et al.  
 2004/0254598 A1 12/2004 Schumacher et al.  
 2007/0031183 A1 2/2007 Sim  
 2009/0155516 A1 6/2009 Kobayashi  
 2009/0228026 A1 9/2009 Koogle, Jr. et al.  
 2009/0315214 A1 12/2009 Heikkila et al.  
 2010/0153061 A1 \* 6/2010 Hietmann ..... B25J 9/1692  
 702/152  
 2010/0159197 A1 6/2010 Ferguson et al.  
 2011/0238113 A1 9/2011 Fanton et al.  
 2013/0010082 A1 \* 1/2013 Silverbrook ..... B41J 2/14314  
 348/47  
 2013/0277393 A1 10/2013 Rahm et al.  
 2014/0097554 A1 4/2014 Fenton et al.  
 2014/0202060 A1 7/2014 Ohashi et al.  
 2014/0291384 A1 \* 10/2014 Canelo ..... B23K 3/0615  
 228/101  
 2014/0319104 A1 \* 10/2014 Kemmerer-Fleckenstein .....  
 B23K 11/314  
 219/85.14  
 2015/0367567 A1 \* 12/2015 Biehl ..... B29C 65/743  
 156/380.6  
 2015/0373824 A1 \* 12/2015 Nettesheim ..... H01L 41/053  
 315/111.21

FOREIGN PATENT DOCUMENTS

DE 3836735 5/1990  
 FR 1320382 A 3/1963  
 FR 2006919 1/1970  
 GB 634286 3/1950  
 GB 2449297 11/2008  
 JP 57029441 2/1982

\* cited by examiner

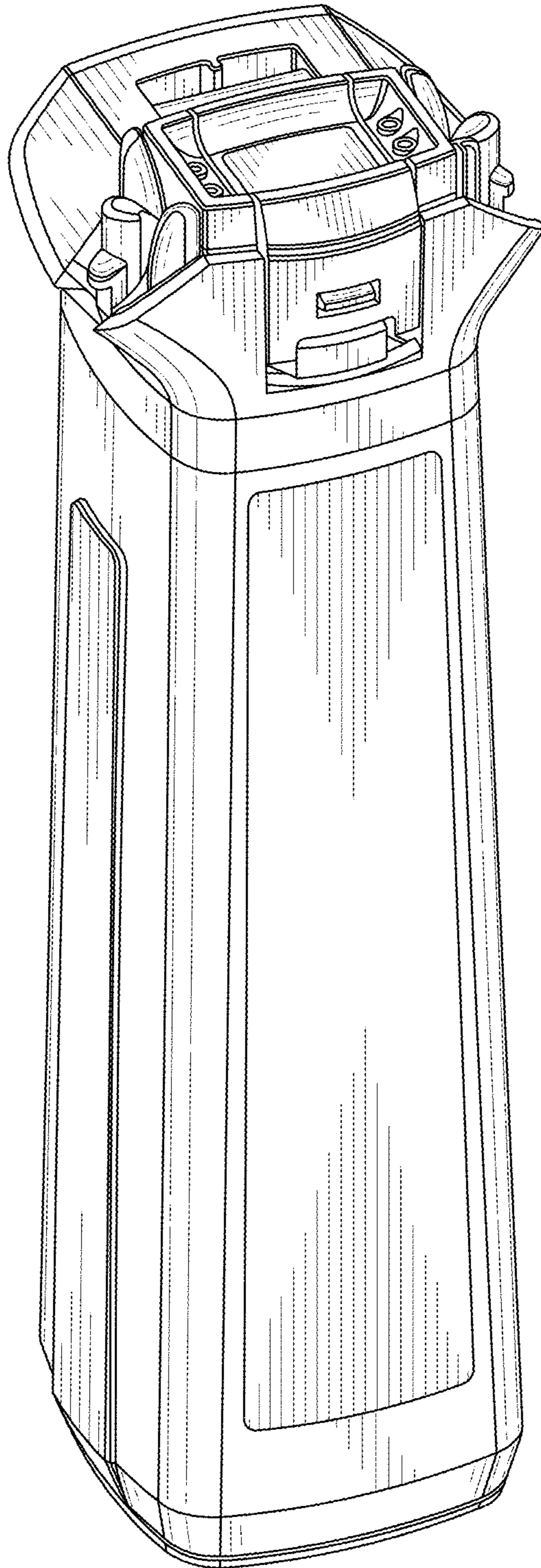


FIG. 1

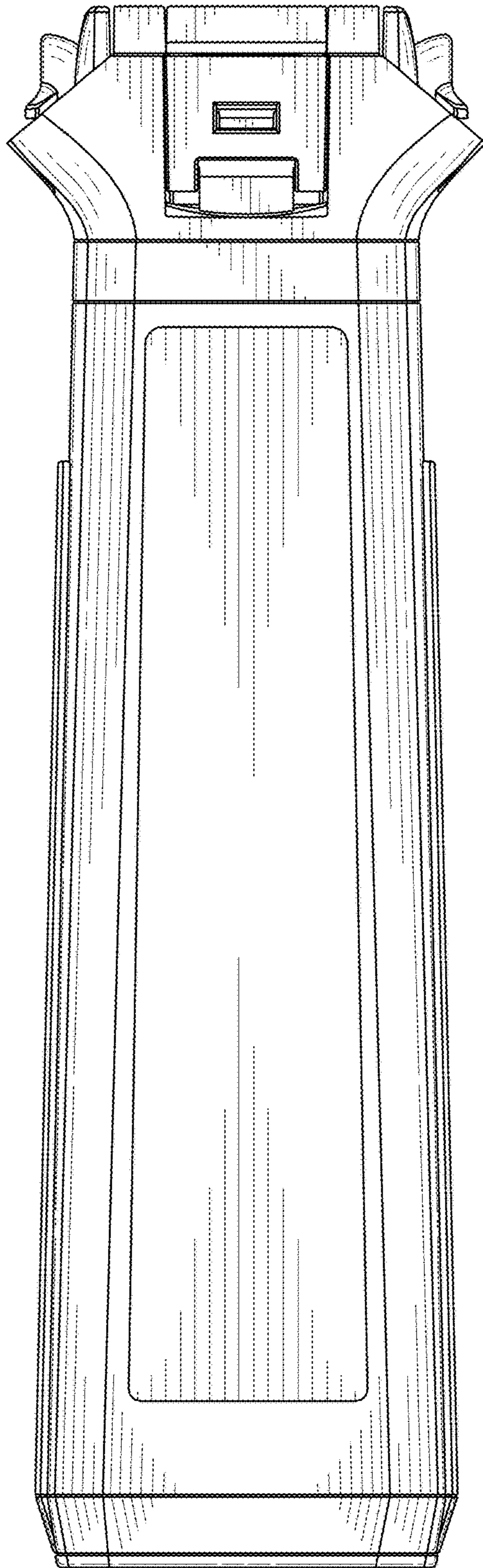


FIG. 2

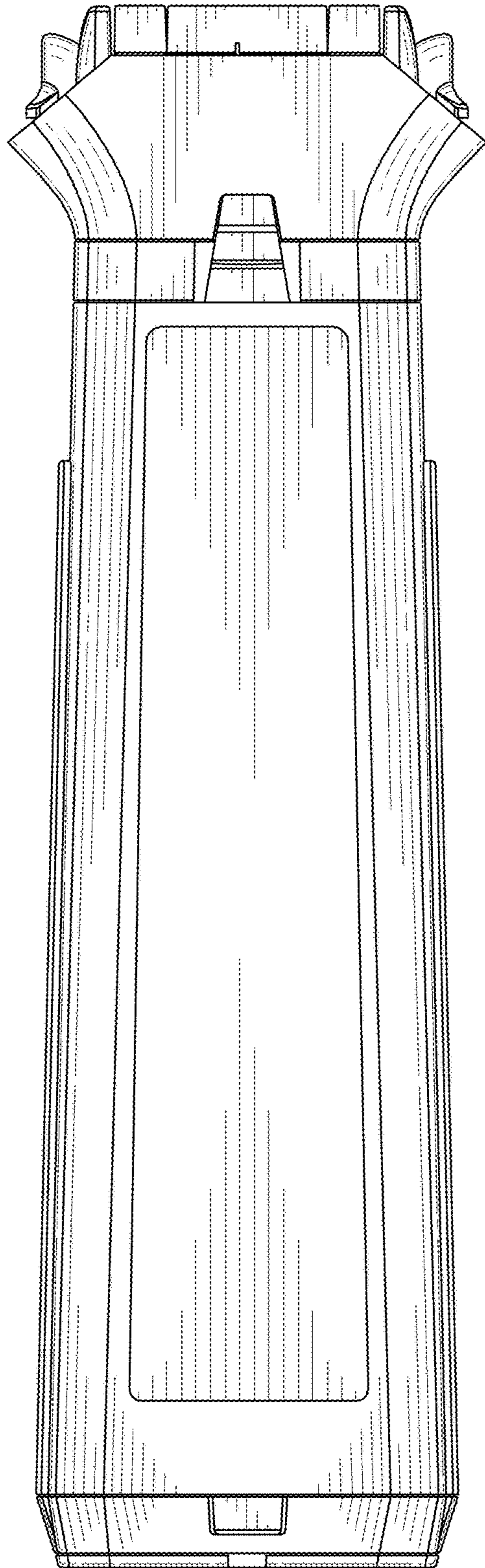


FIG. 3

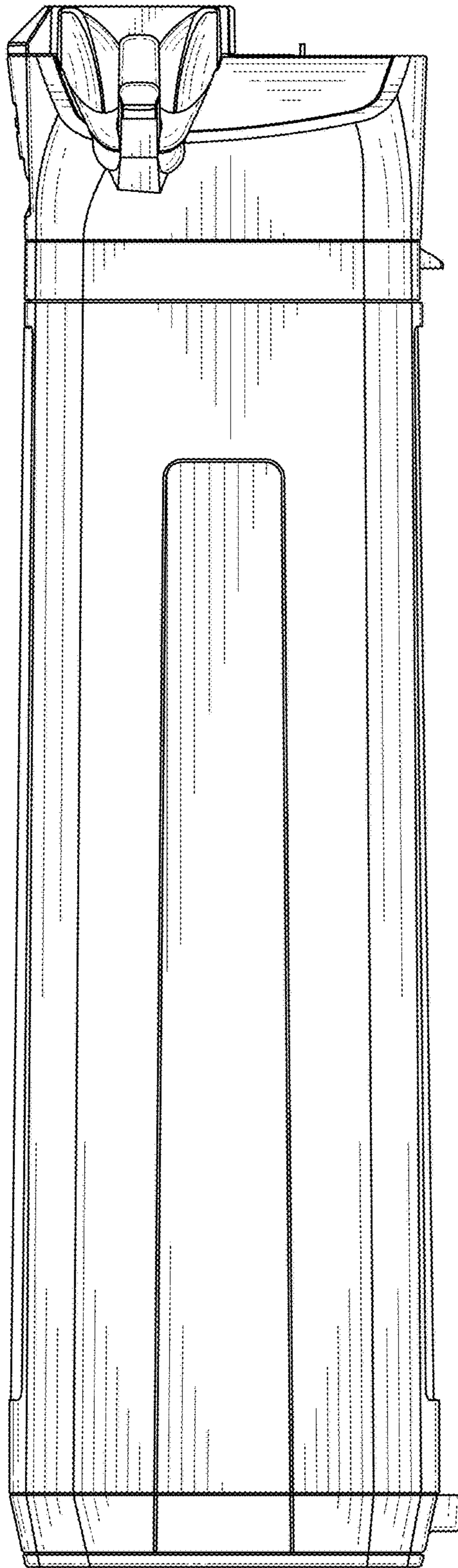


FIG. 4

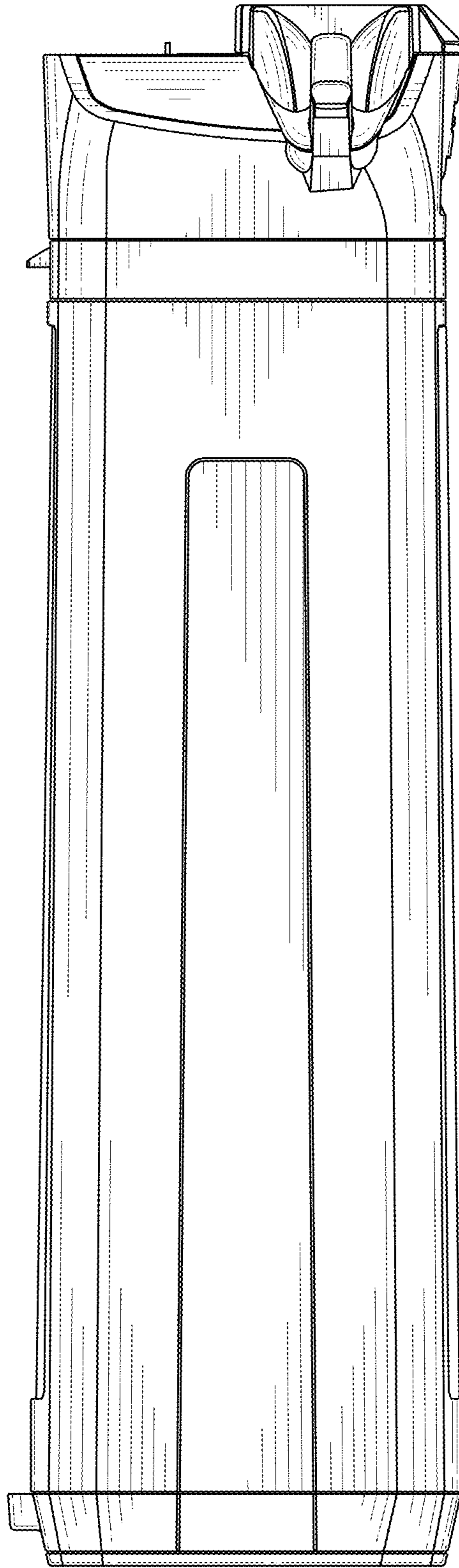


FIG. 5

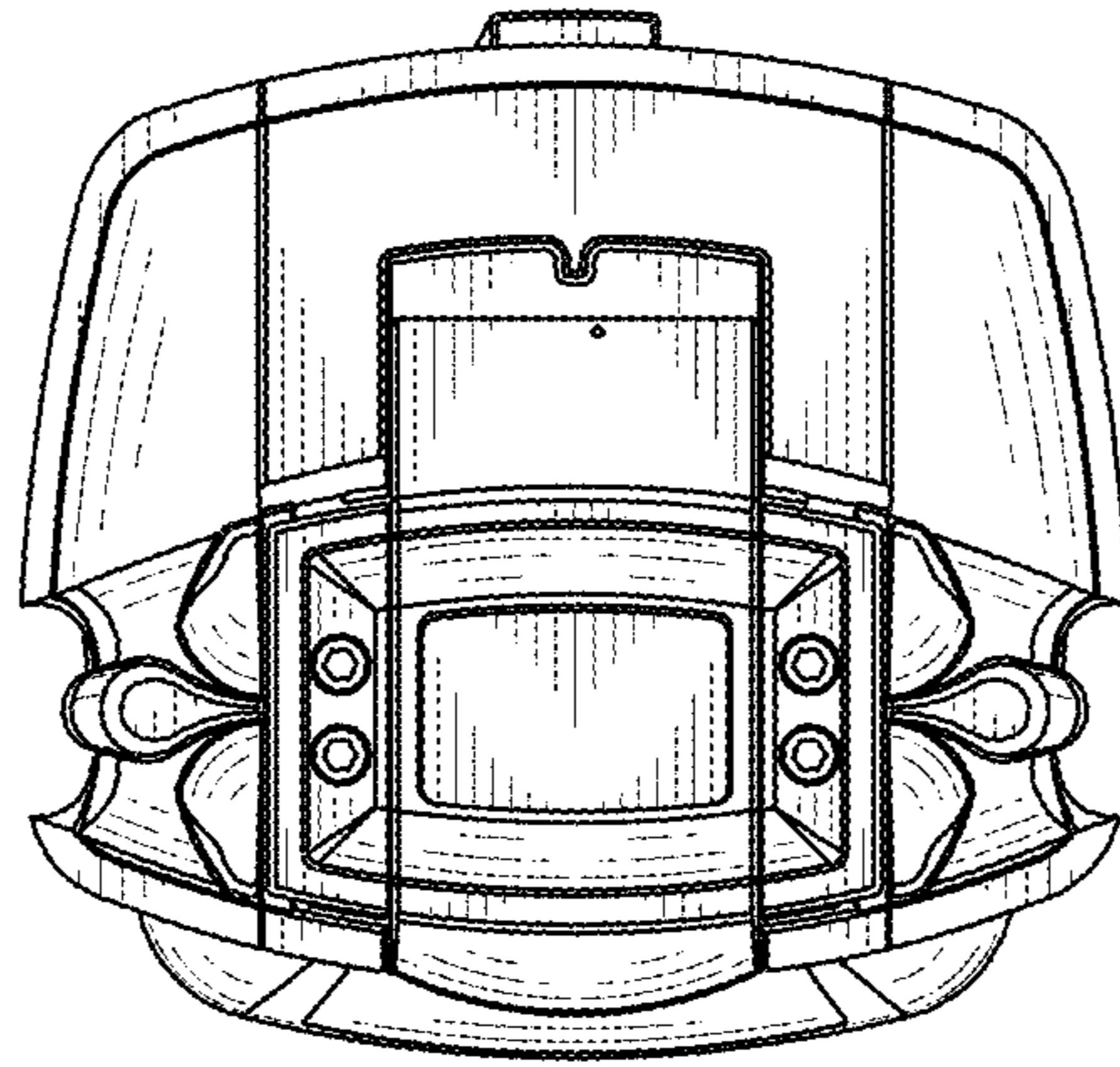


FIG. 6

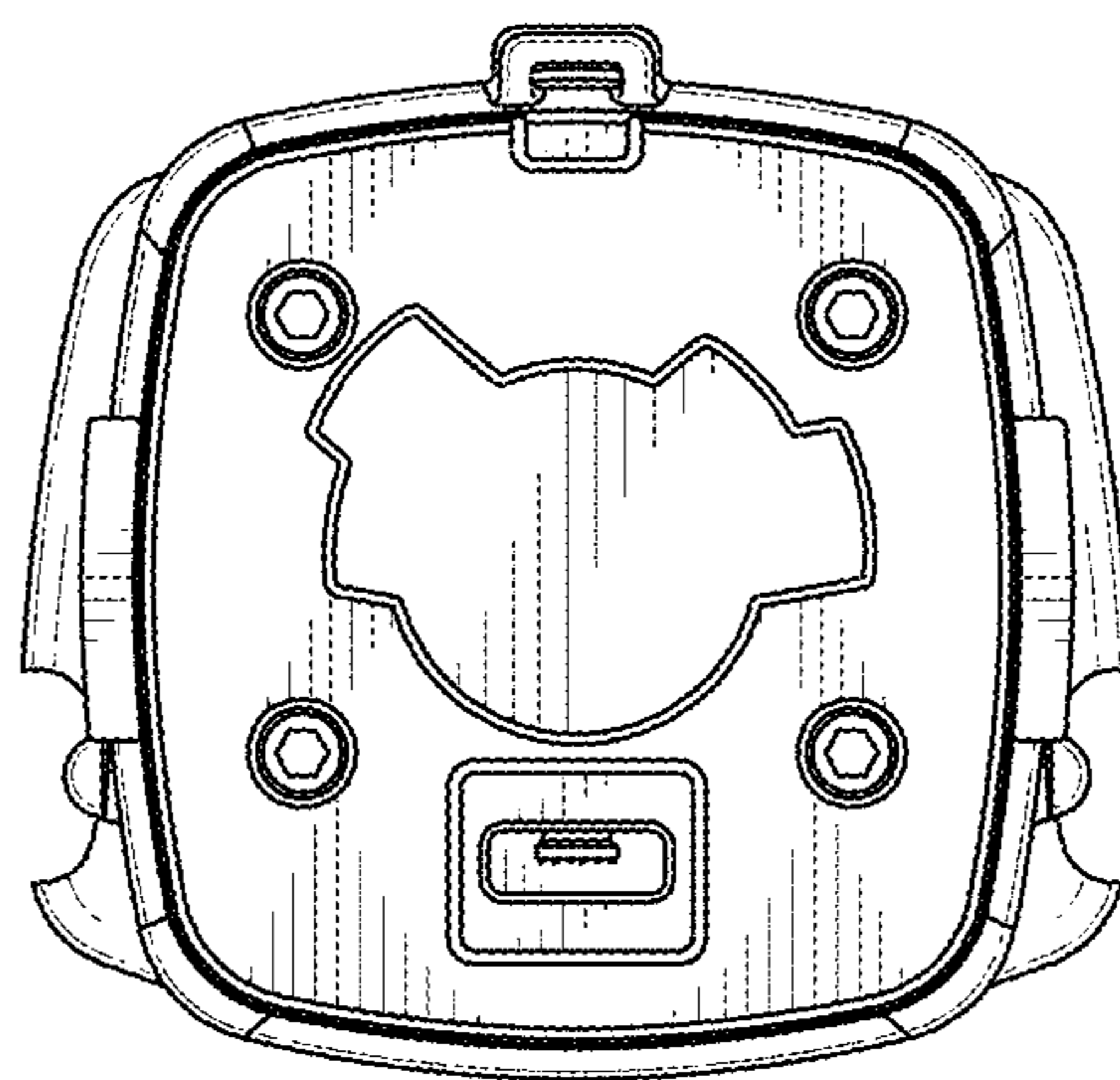


FIG. 7



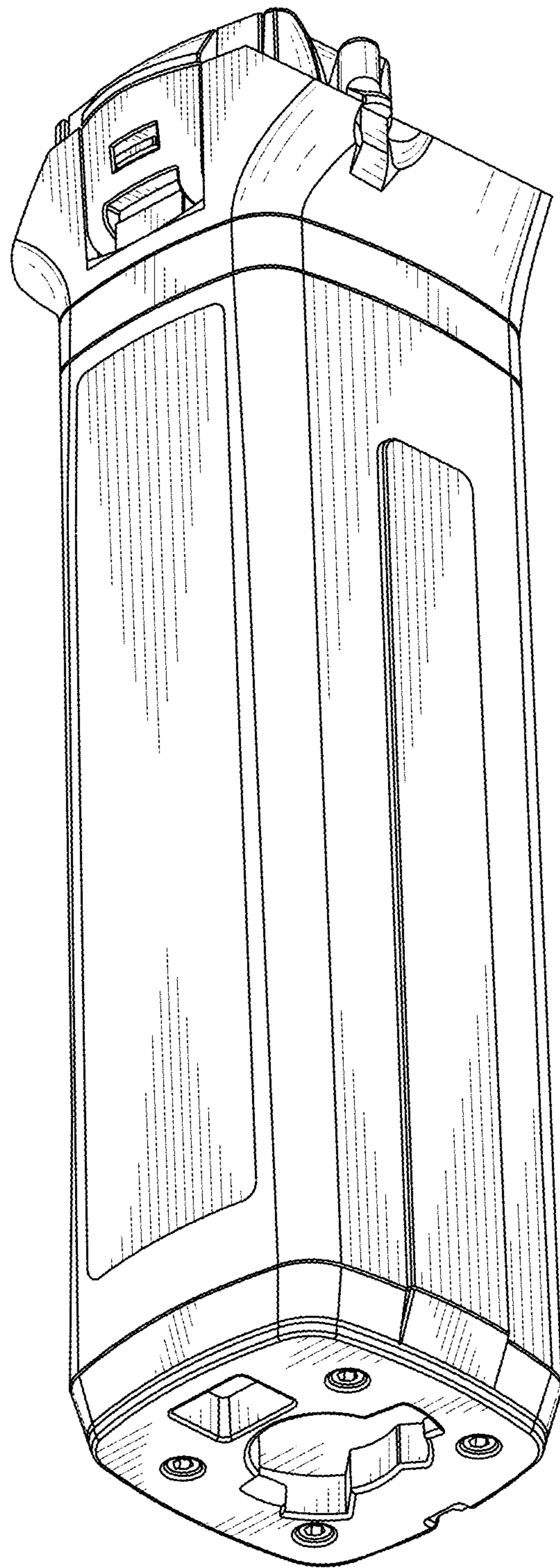


FIG. 8