



US00D828858S

(12) **United States Design Patent**  
**Neel**

(10) **Patent No.:** **US D828,858 S**

(45) **Date of Patent:** **\*\* Sep. 18, 2018**

(54) **SEWING MACHINE**

(71) Applicant: **Ryan O. Neel**, Columbiana, OH (US)

(72) Inventor: **Ryan O. Neel**, Columbiana, OH (US)

(\*\*) Term: **15 Years**

(21) Appl. No.: **29/609,141**

(22) Filed: **Jun. 28, 2017**

(51) **LOC (11) Cl.** ..... **15-06**

(52) **U.S. Cl.**  
USPC ..... **D15/69**

(58) **Field of Classification Search**  
USPC ..... D15/66-78  
CPC ..... D05B 1/00-25/00  
See application file for complete search history.

(56) **References Cited**

**U.S. PATENT DOCUMENTS**

- 3,182,616 A \* 5/1965 Cremer ..... D05B 1/00  
112/102
- D298,140 S \* 10/1988 Miller ..... D15/69
- D377,358 S \* 1/1997 Tippmann, Sr. .... D15/69
- D693,378 S \* 11/2013 Yamamoto ..... D15/69

- D694,783 S \* 12/2013 Bentley ..... D15/66
- D724,112 S \* 3/2015 Neel ..... D15/69
- D752,659 S \* 3/2016 Schneider ..... D15/69
- D753,732 S \* 4/2016 Schneider ..... D15/69
- D812,648 S \* 3/2018 Mcvey ..... D15/69

\* cited by examiner

*Primary Examiner* — Mitchell I. Siegel

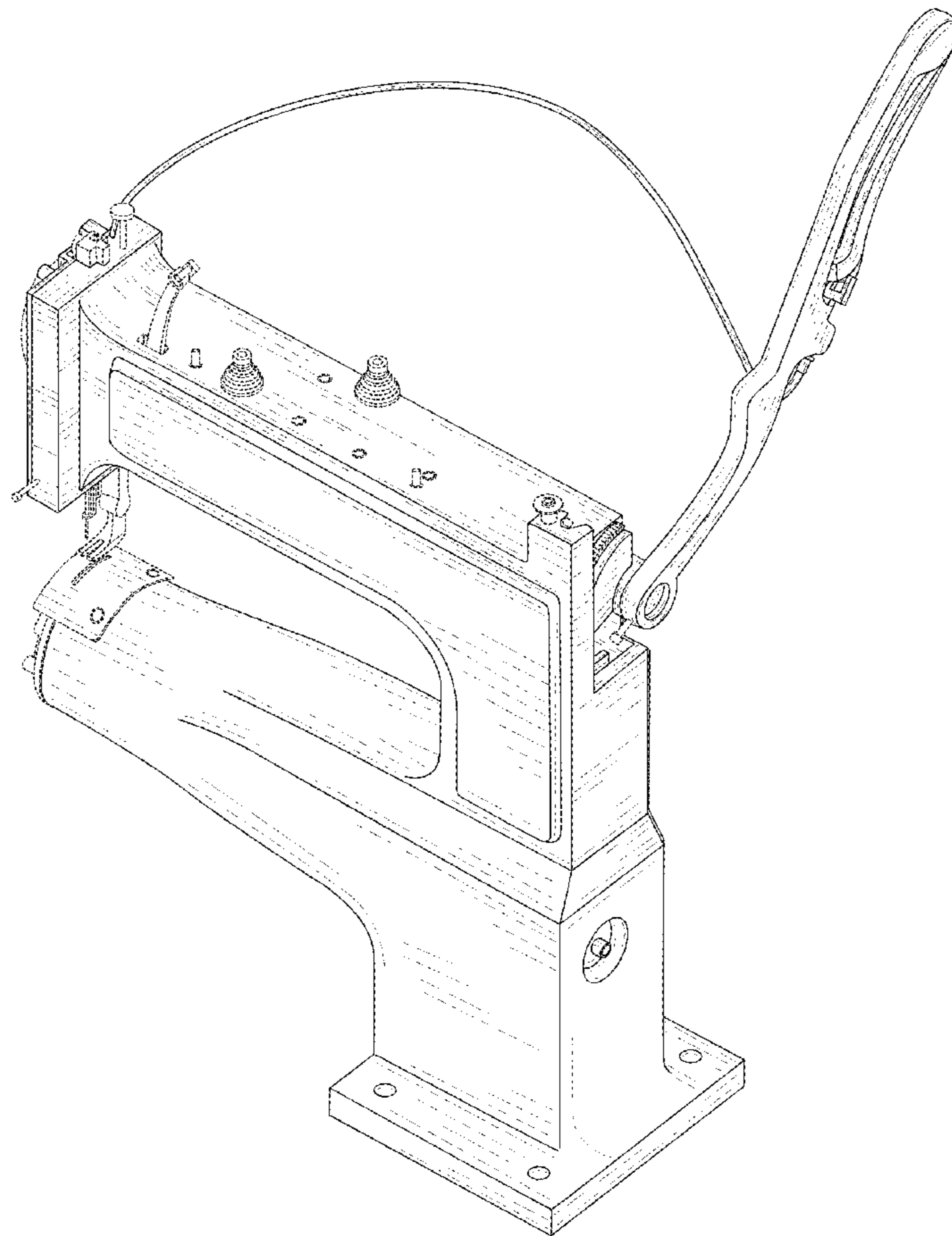
(57) **CLAIM**

The ornamental design for a sewing machine, as shown and described.

**DESCRIPTION**

FIG. 1 is a front elevational view of a sewing machine;  
 FIG. 2 is a right side elevational view thereof;  
 FIG. 3 is a rear elevational view thereof;  
 FIG. 4 is a left side elevational view thereof;  
 FIG. 5 is a bottom plan view thereof;  
 FIG. 6 is a top plan view thereof;  
 FIG. 7 is a top perspective view thereof; and,  
 FIG. 8 is a bottom perspective view thereof.  
 The broken line showing fasteners, flywheel, and additional parts is included for the purpose of illustrating environmental structure and forms no part of the claimed design.

**1 Claim, 8 Drawing Sheets**



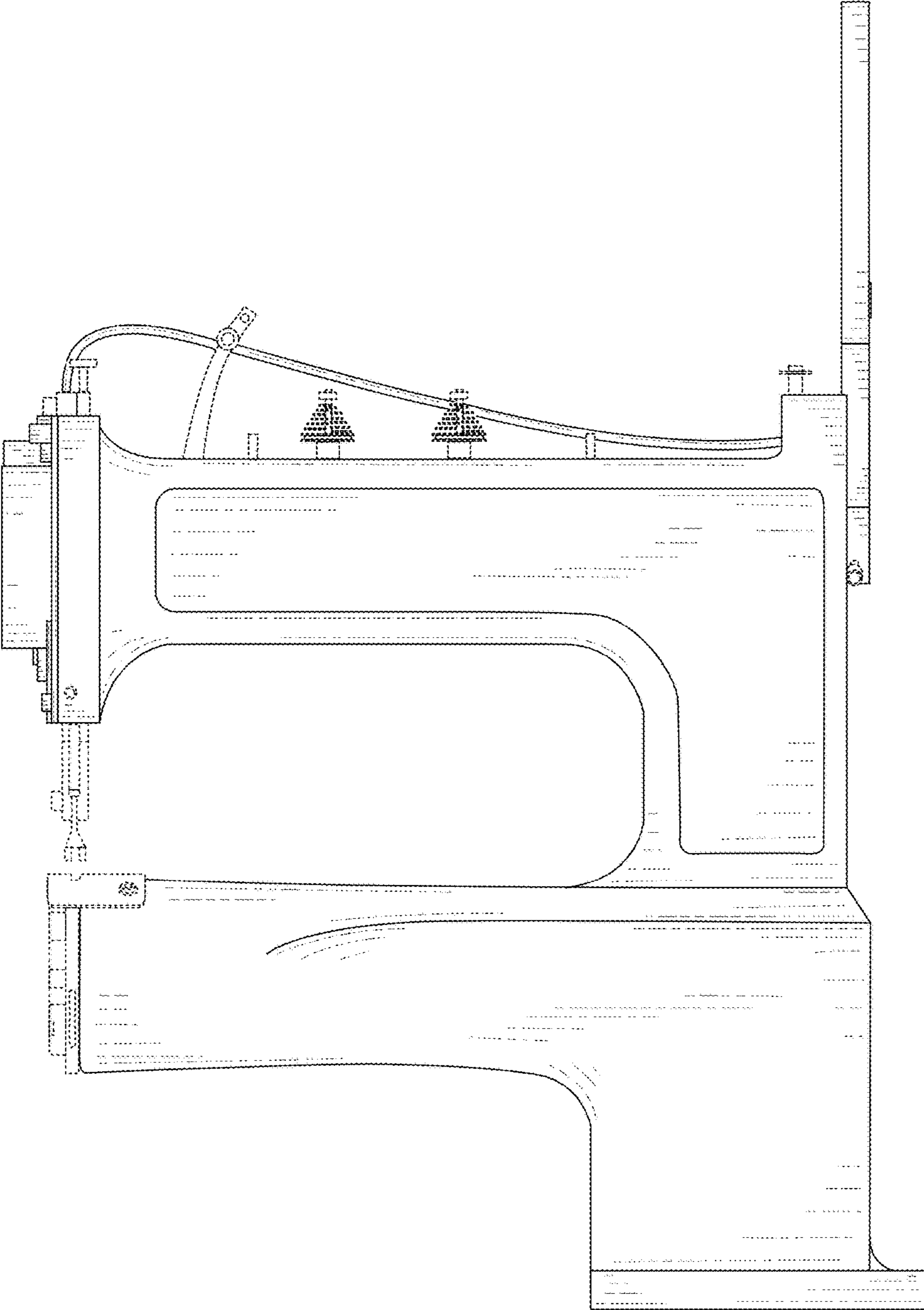


FIG. 1

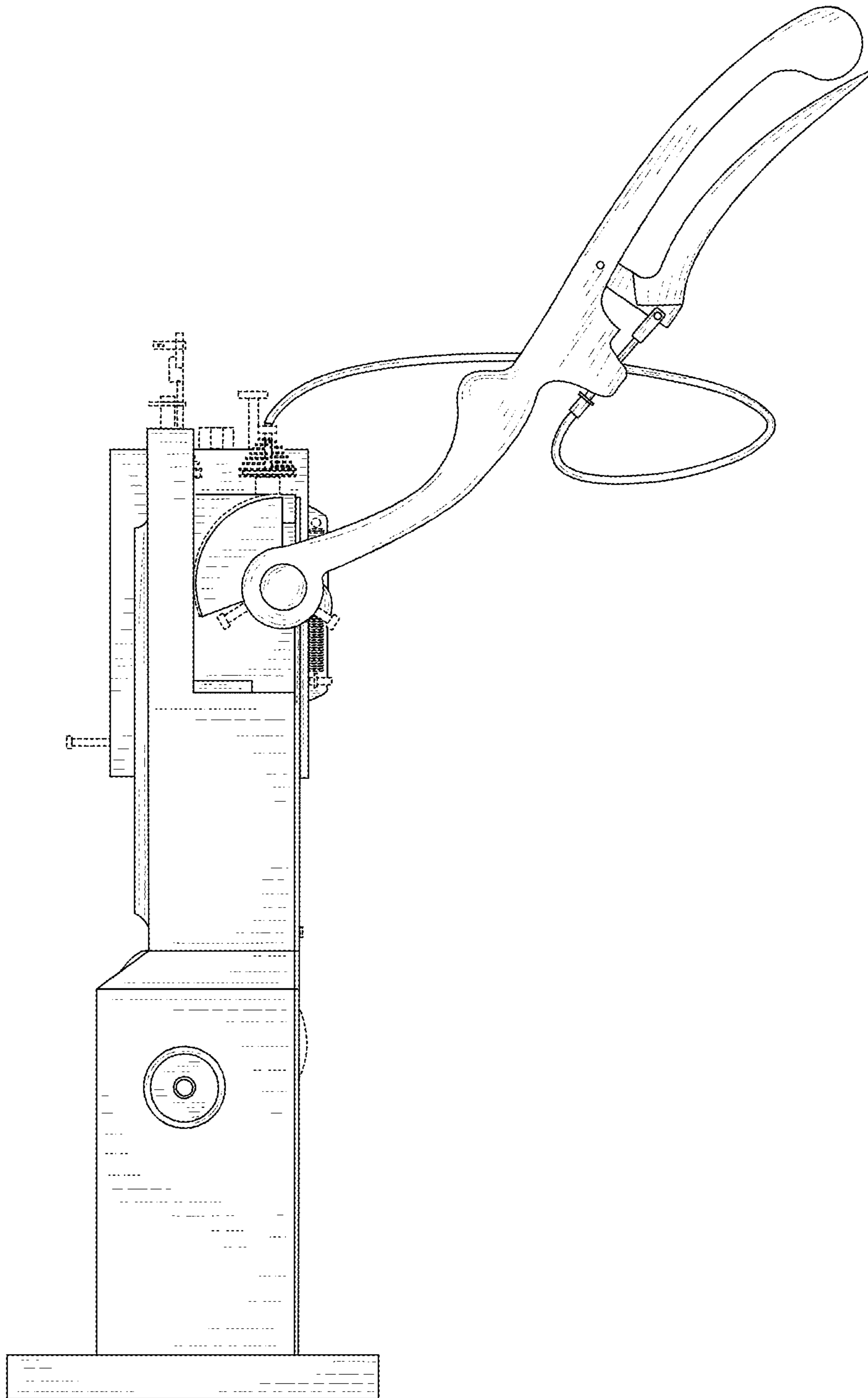


FIG. 2

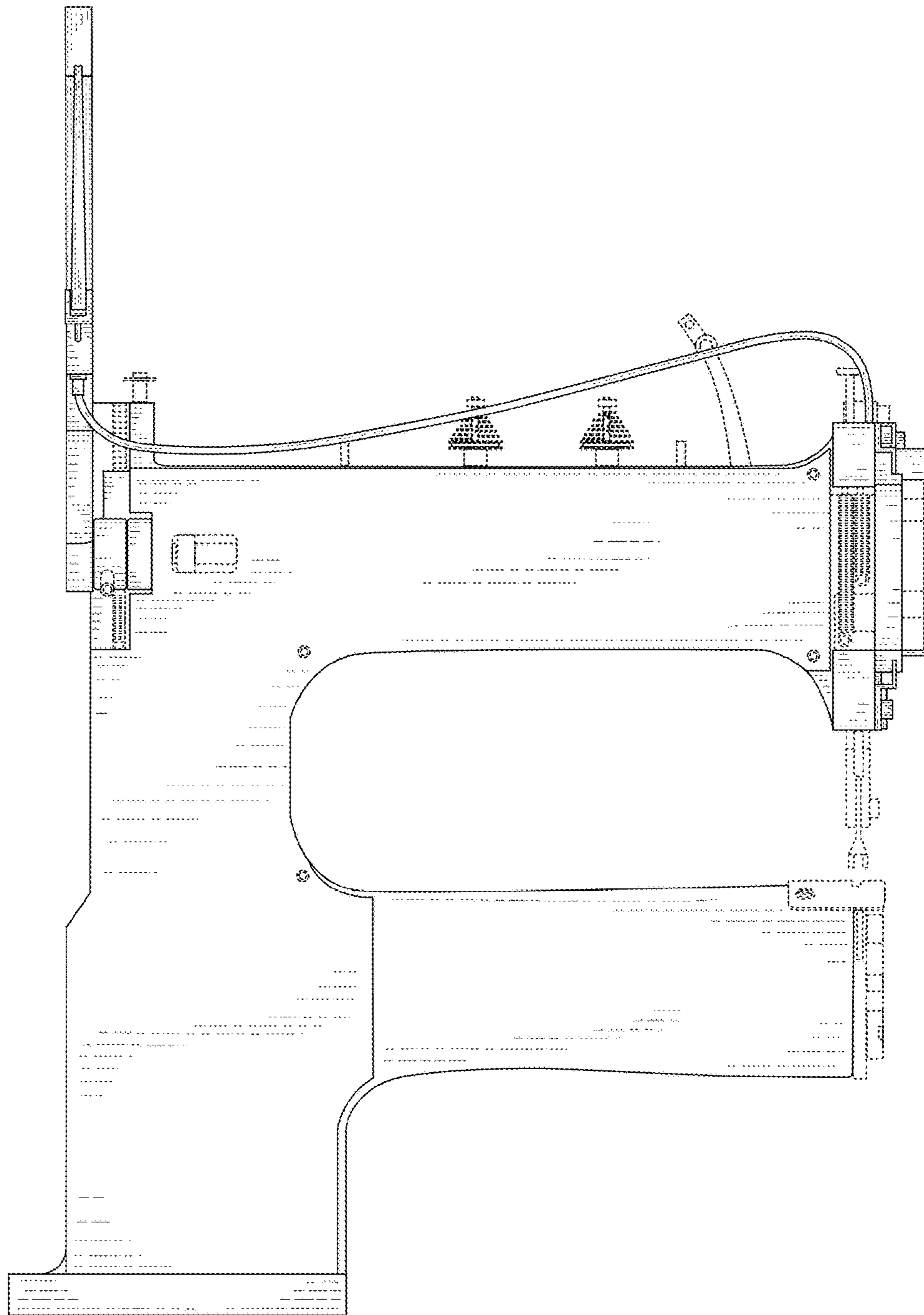


FIG. 3

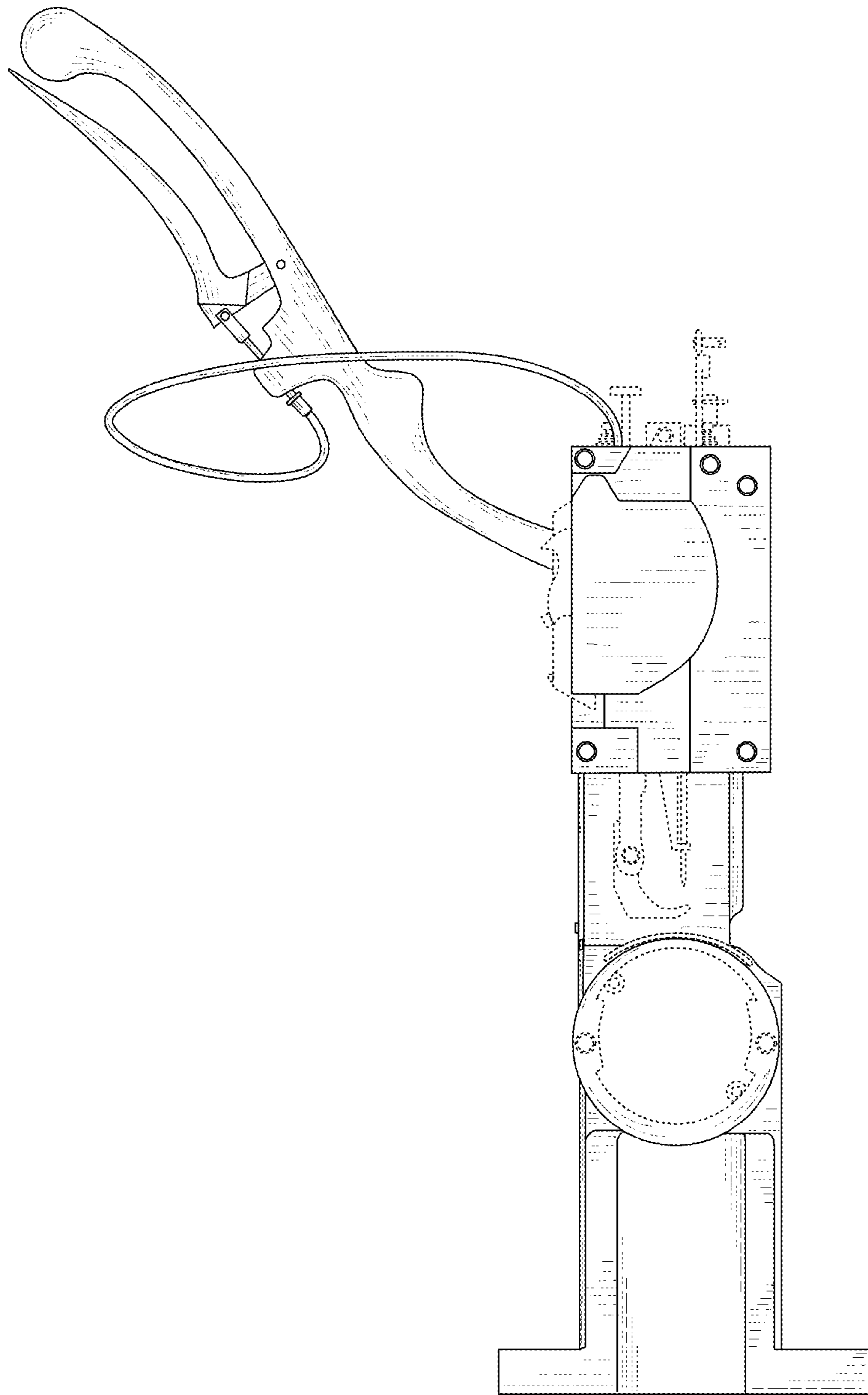


FIG. 4



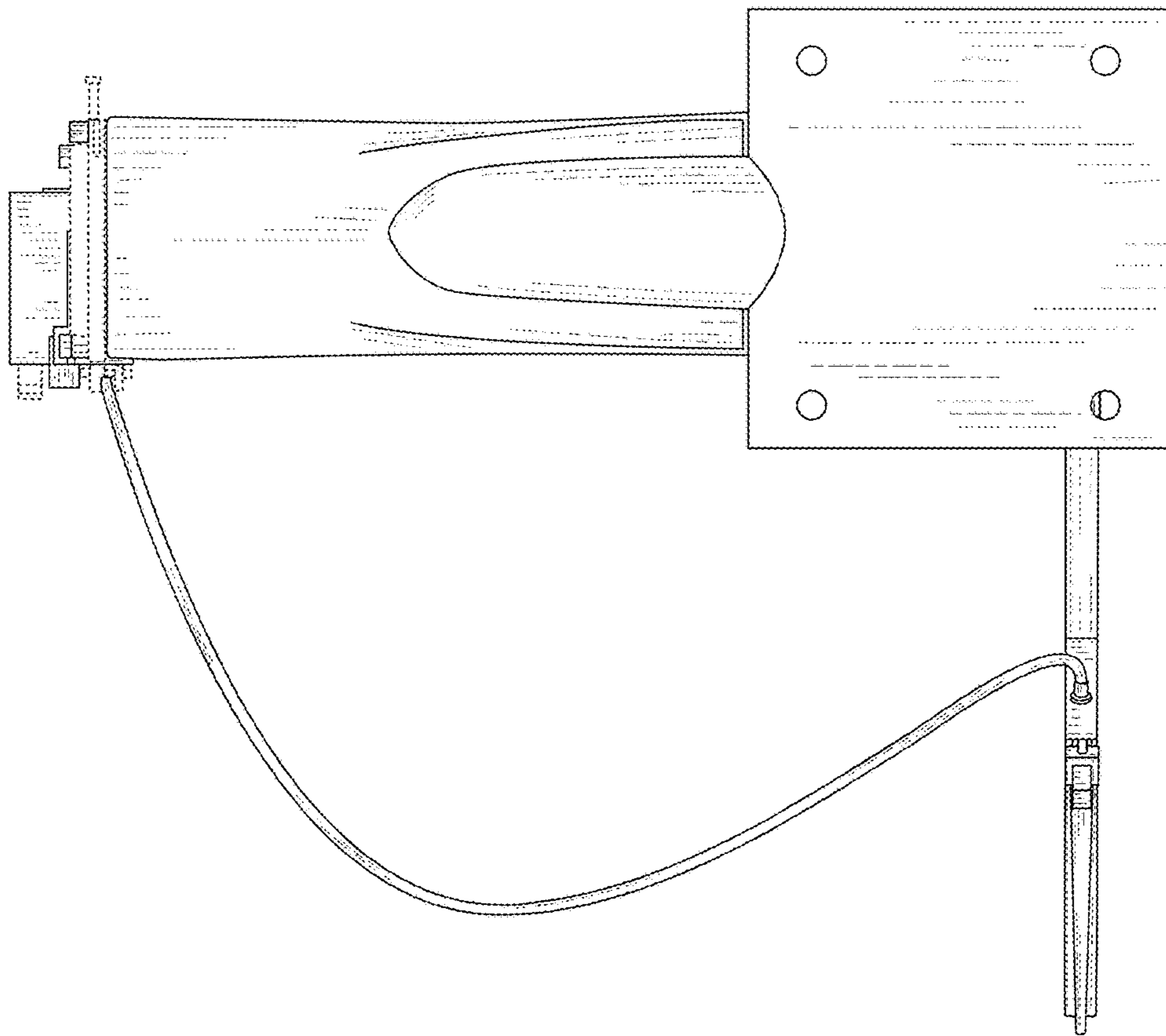


FIG. 5

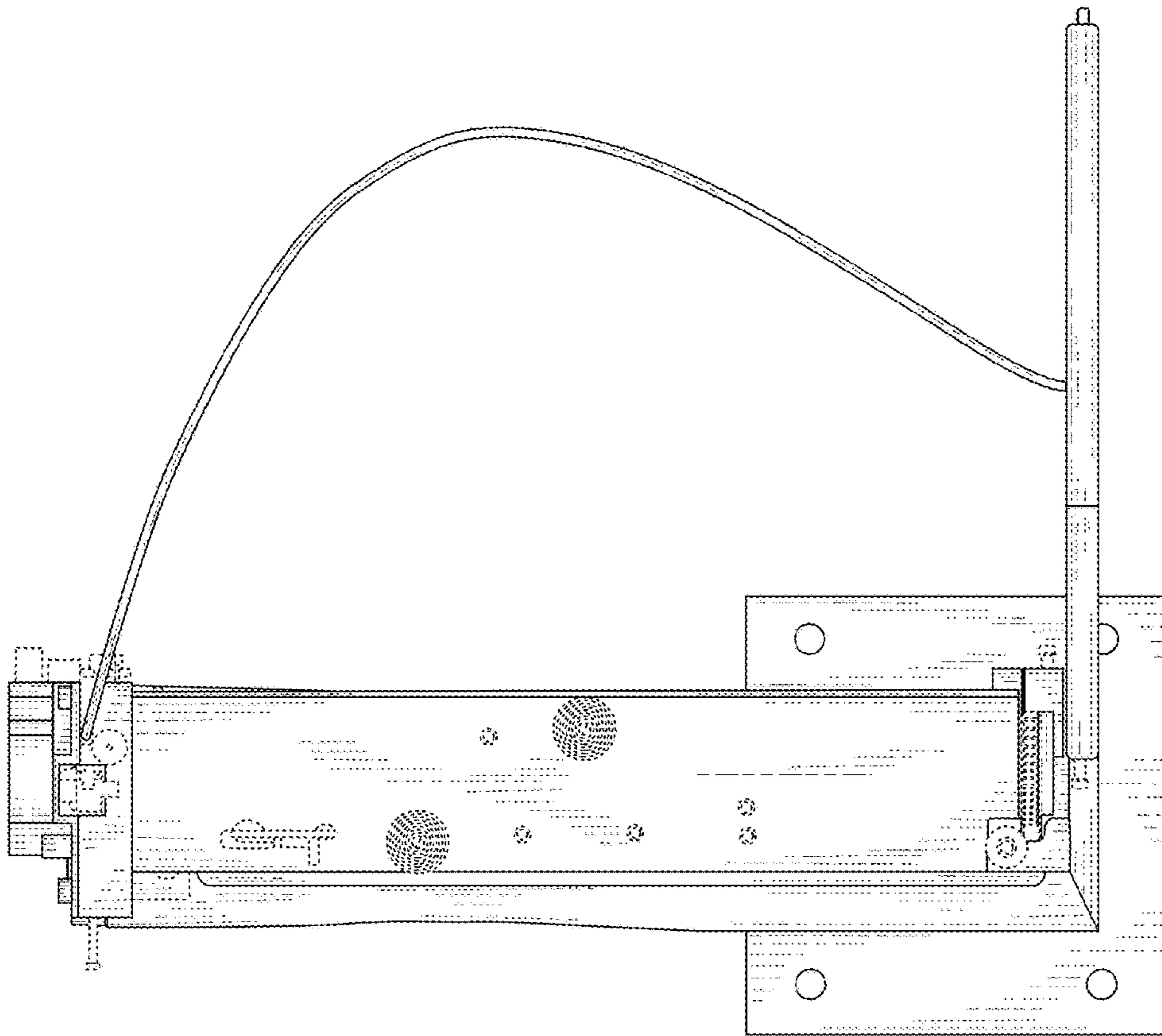


FIG. 6

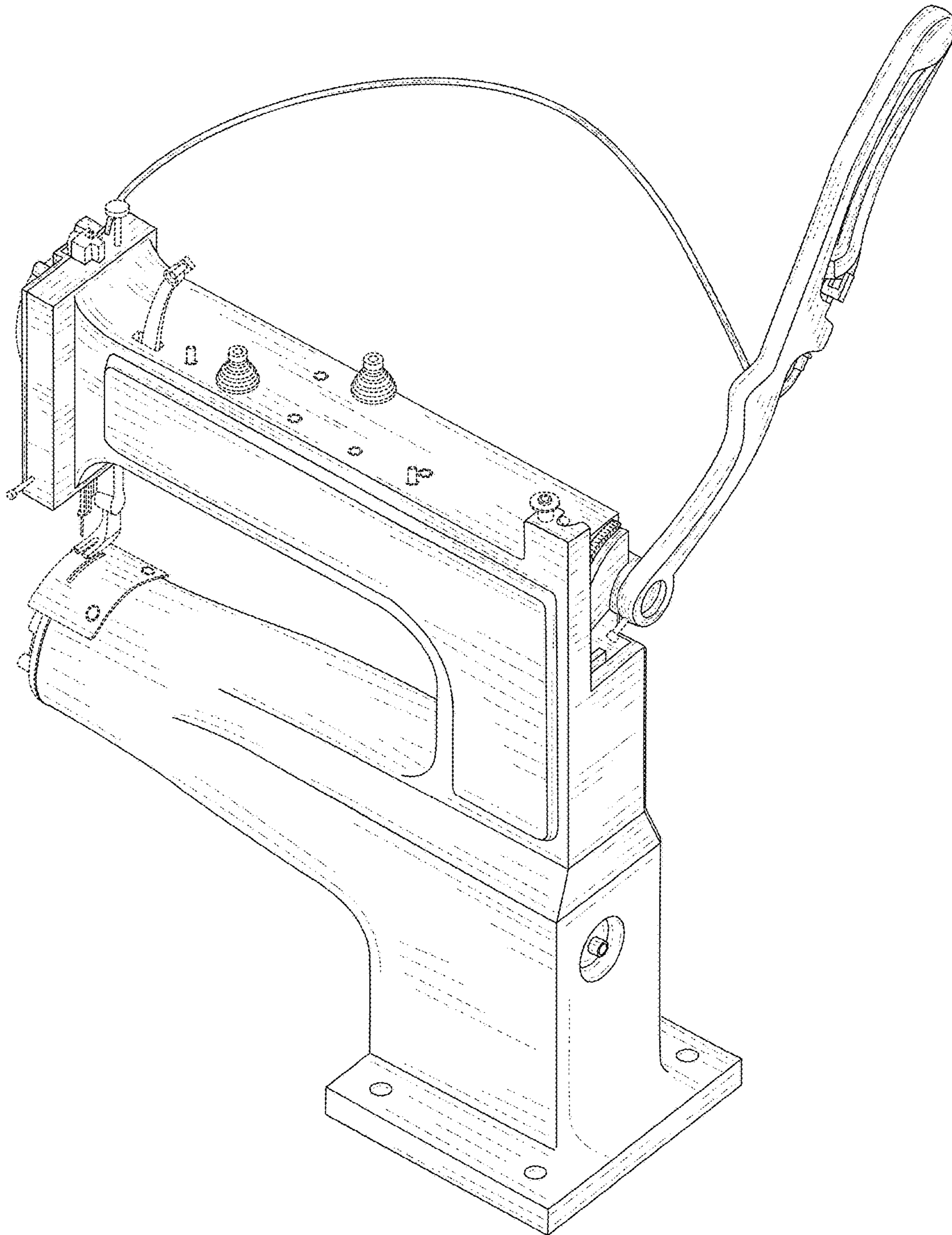


FIG. 7



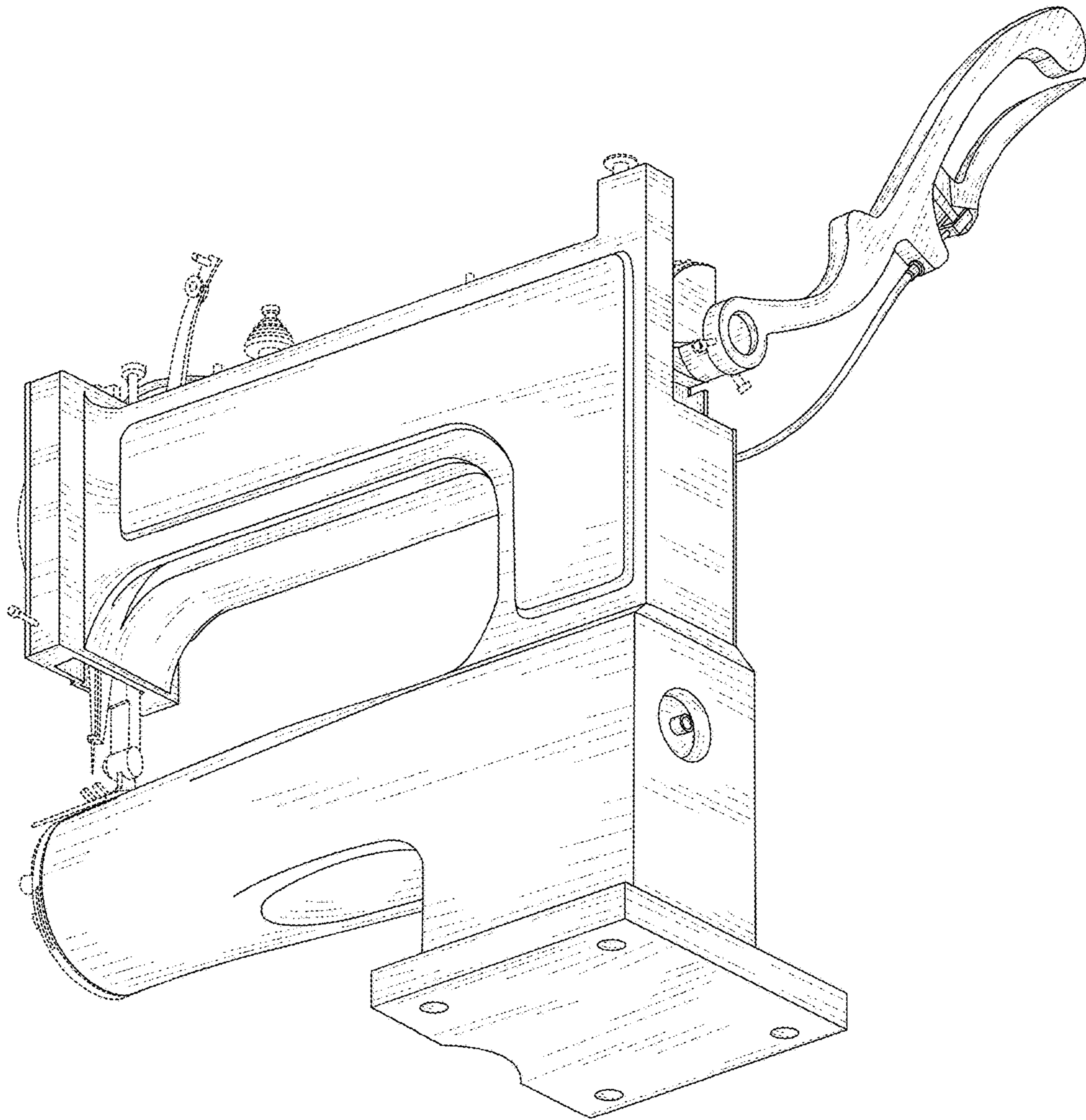


FIG. 8