



US00D828857S

(12) **United States Design Patent** (10) **Patent No.:** **US D828,857 S**
Wolfe (45) **Date of Patent:** **** Sep. 18, 2018**

(54) **PROBE MOUNTING ADAPTER**
(71) Applicant: **MUSTANG SAMPLING, LLC,**
Ravenswood, WV (US)
(72) Inventor: **Nicholas S. Wolfe,** Ravenswood, WV
(US)
(73) Assignee: **Mustang Sampling, LLC,**
Ravenswood, WV (US)

5,936,168 A 8/1999 Welker
6,539,312 B1 3/2003 Nimberger et al.
D500,840 S * 1/2005 Kim D23/233
D674,052 S * 1/2013 Thompson D23/249
D693,908 S * 11/2013 Rost D23/249
D693,909 S * 11/2013 Rost D23/249
D699,815 S * 2/2014 Petersen D23/233
9,018,608 B1 4/2015 Mayeaux
2002/0102130 A1 8/2002 Nygren et al.
2006/0000298 A1 * 1/2006 Thompson G01N 1/2214
73/863.81
2006/0117832 A1 * 6/2006 Nakashima G01N 33/0009
73/23.2
2009/0071235 A1 * 3/2009 Gross G01N 7/02
73/73

(**) Term: **15 Years**
(21) Appl. No.: **35/502,586**

(Continued)

(22) Filed: **Sep. 7, 2016**

FOREIGN PATENT DOCUMENTS

(80) **Hague Agreement Data**
Int. Filing Date: **Sep. 7, 2016**
Int. Reg. No.: **DM/093093**
Int. Reg. Date: **Sep. 7, 2016**
Int. Reg. Pub. Date: **Mar. 10, 2017**

WO 2014/160295 A1 10/2014

OTHER PUBLICATIONS

Mustang Sampling, LLC., "Mustang Cervicollar Mounting Brackets," MSB-MCC, vol. 23, 2009-2016 Mustang Sampling, LLC., Ravenswood, U.S.

(51) **LOC (11) Cl.** **08-08**
(52) **U.S. Cl.**
USPC **D15/5; D23/249**
CPC **F16L 41/14 (2013.01)**
(58) **Field of Classification Search**
USPC **D23/233, 249; D15/5; 73/23.2,**
73/61.41-61.73, 863.11-863.81, 865.5
CPC **F16L 41/14**
See application file for complete search history.

(Continued)

Primary Examiner — Richard E Chilcot
(74) *Attorney, Agent, or Firm* — Cahn & Samuels, LLP

(57) **CLAIM**

The ornamental design for a probe mounting adapter, as shown and described.

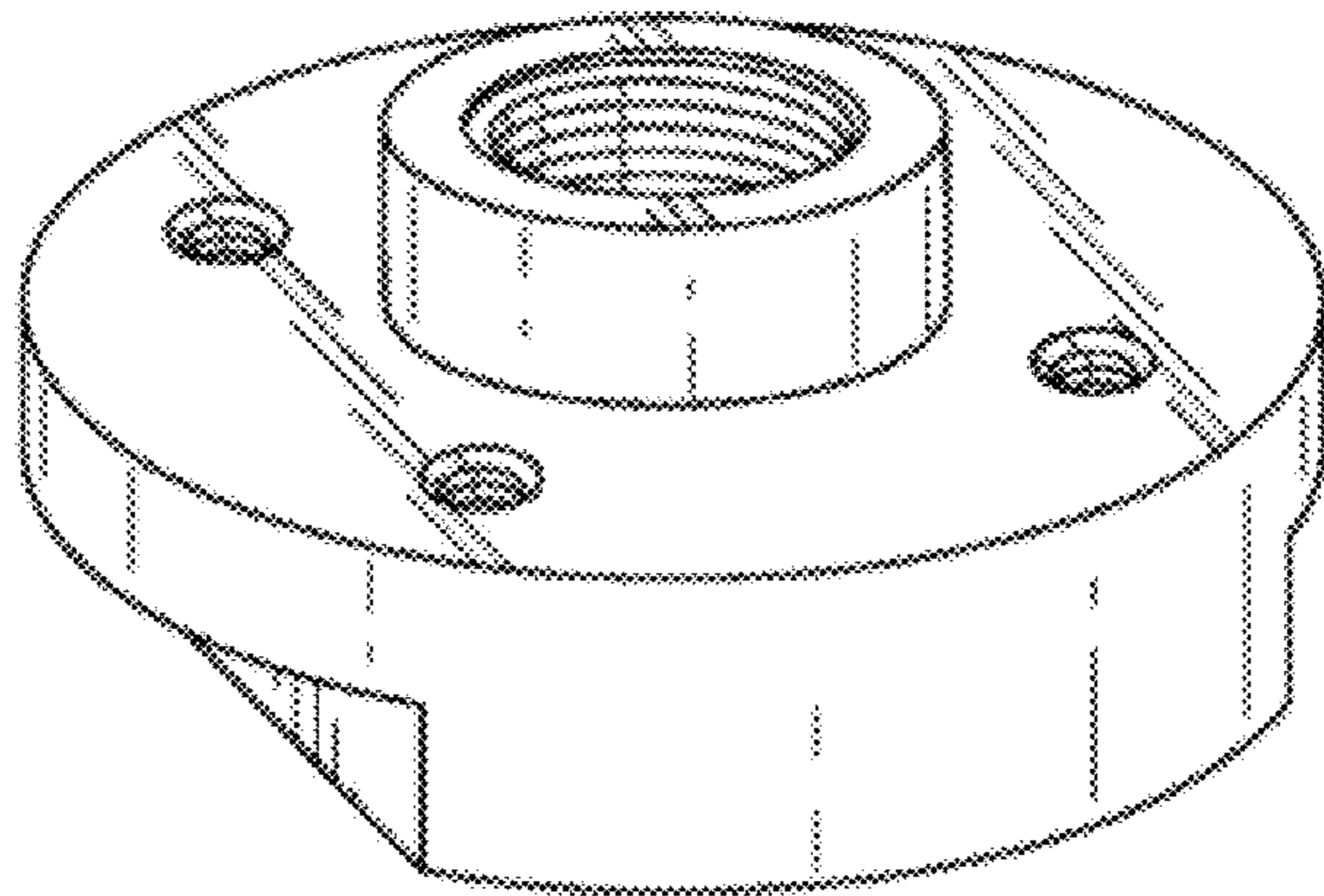
DESCRIPTION

(56) **References Cited**
U.S. PATENT DOCUMENTS

3,939,713 A 2/1976 Estey
3,996,124 A 12/1976 Eaton et al.
4,487,080 A 12/1984 Leaseburge et al.
4,920,626 A 5/1990 Nimberger
5,109,709 A 5/1992 Nimberger
5,325,731 A 7/1994 Miller et al.
5,531,130 A 7/1996 Welker
5,708,198 A * 1/1998 Fitch G01N 15/0656
73/61.42

- 1. Probe mounting adapter
- 1.1: probe mounting adapter perspective front view.
- 1.2: probe mounting adapter side view.
- 1.3: probe mounting adapter side view.
- 1.4: probe mounting adapter side view.
- 1.5: probe mounting adapter end view.
- 1.6: probe mounting adapter end view.
- 1.7: probe mounting adapter side view.

1 Claim, 7 Drawing Sheets



(56)

References Cited

U.S. PATENT DOCUMENTS

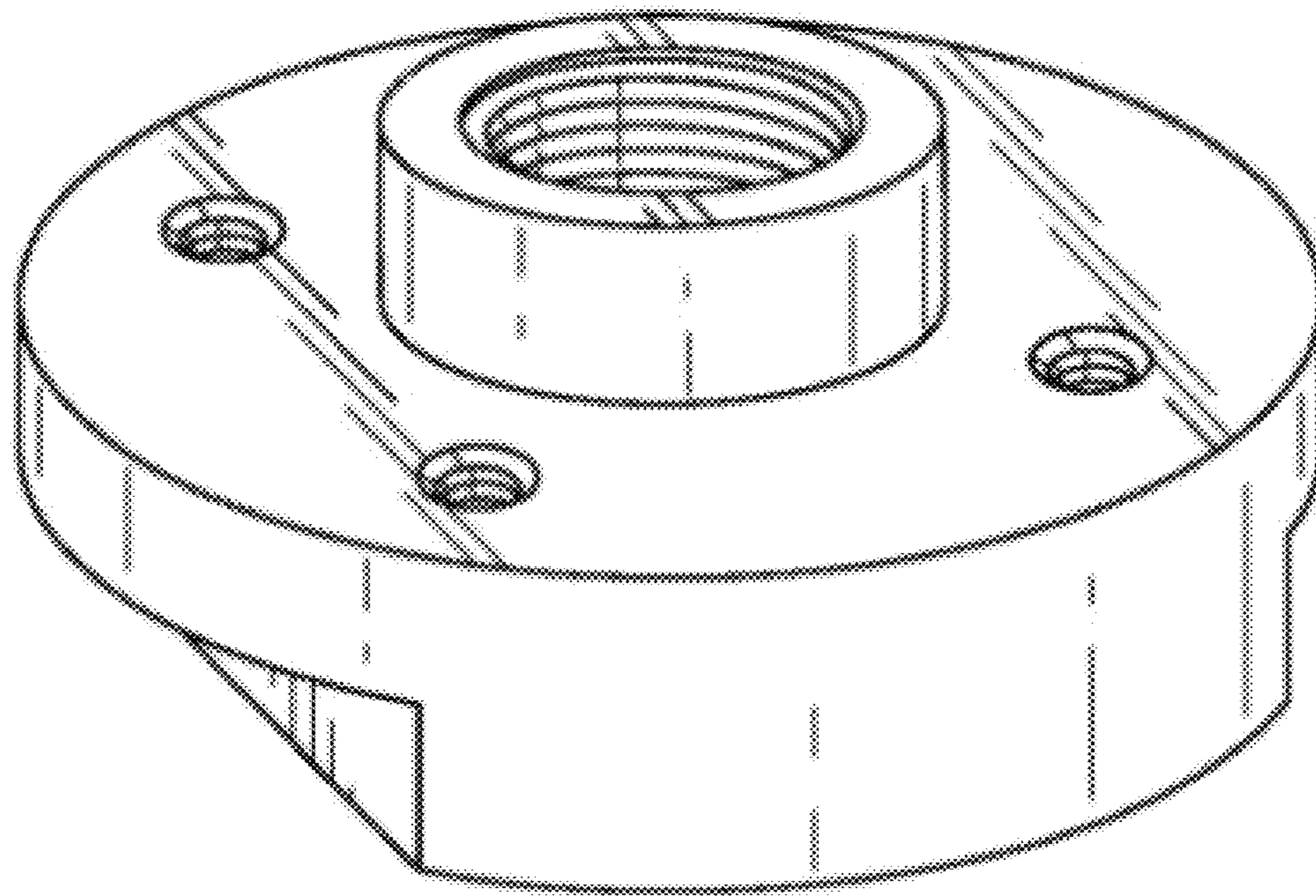
2010/0058881 A1 3/2010 Braaten
2010/0137729 A1* 6/2010 Pierry A61B 5/083
600/529
2010/0283991 A1* 11/2010 Chrzan G01N 21/09
356/51
2012/0325694 A1* 12/2012 Thompson B65D 81/38
206/216
2017/0074693 A1* 3/2017 Wolfe F16L 41/14
2017/0234777 A1* 8/2017 St Amant, III G01N 1/2035
73/863.11

OTHER PUBLICATIONS

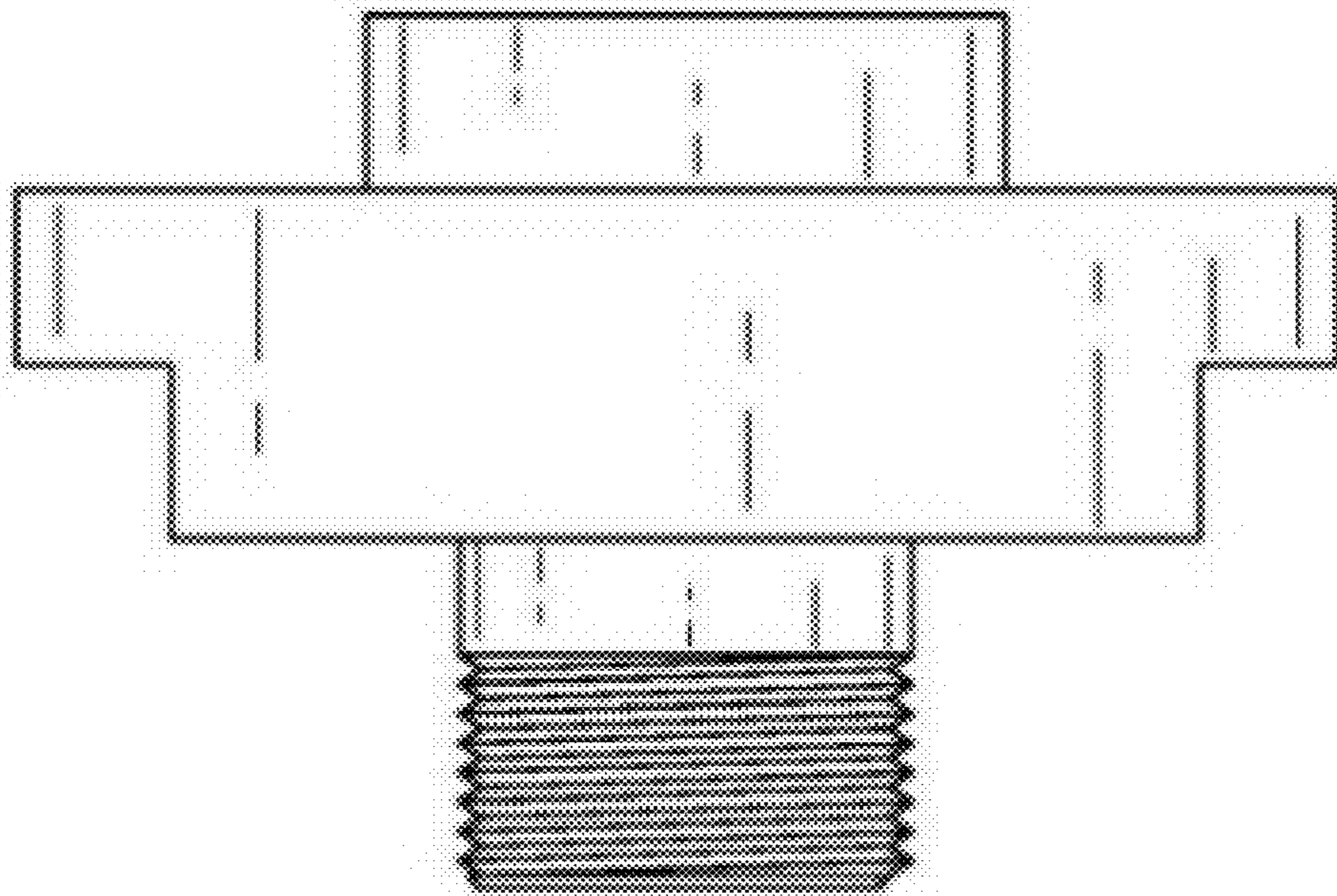
The International Search Report and the Written Opinion of The International Searching Authority, PCT/US16/50726, dated Sep. 8, 2016.

* cited by examiner

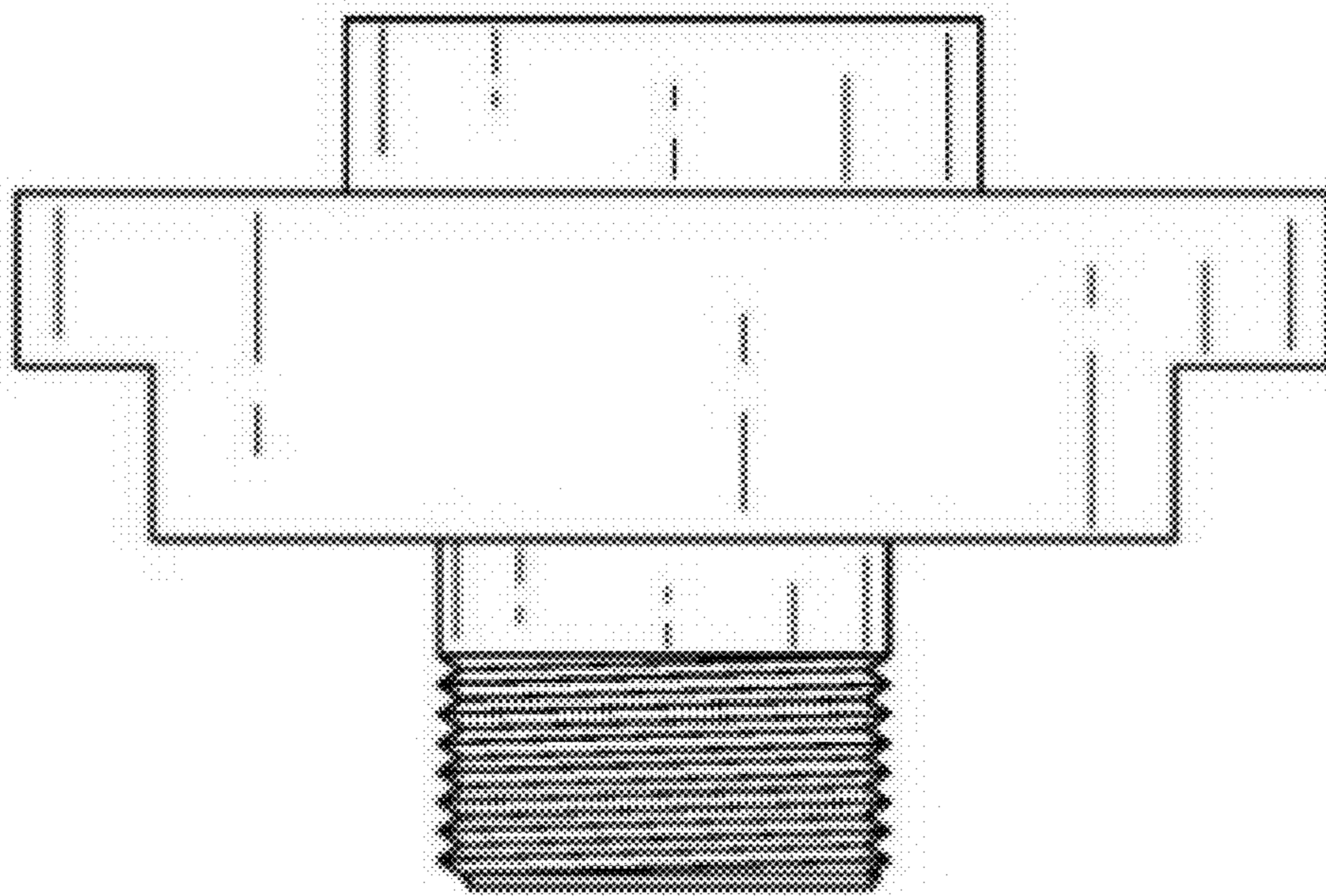
1.1



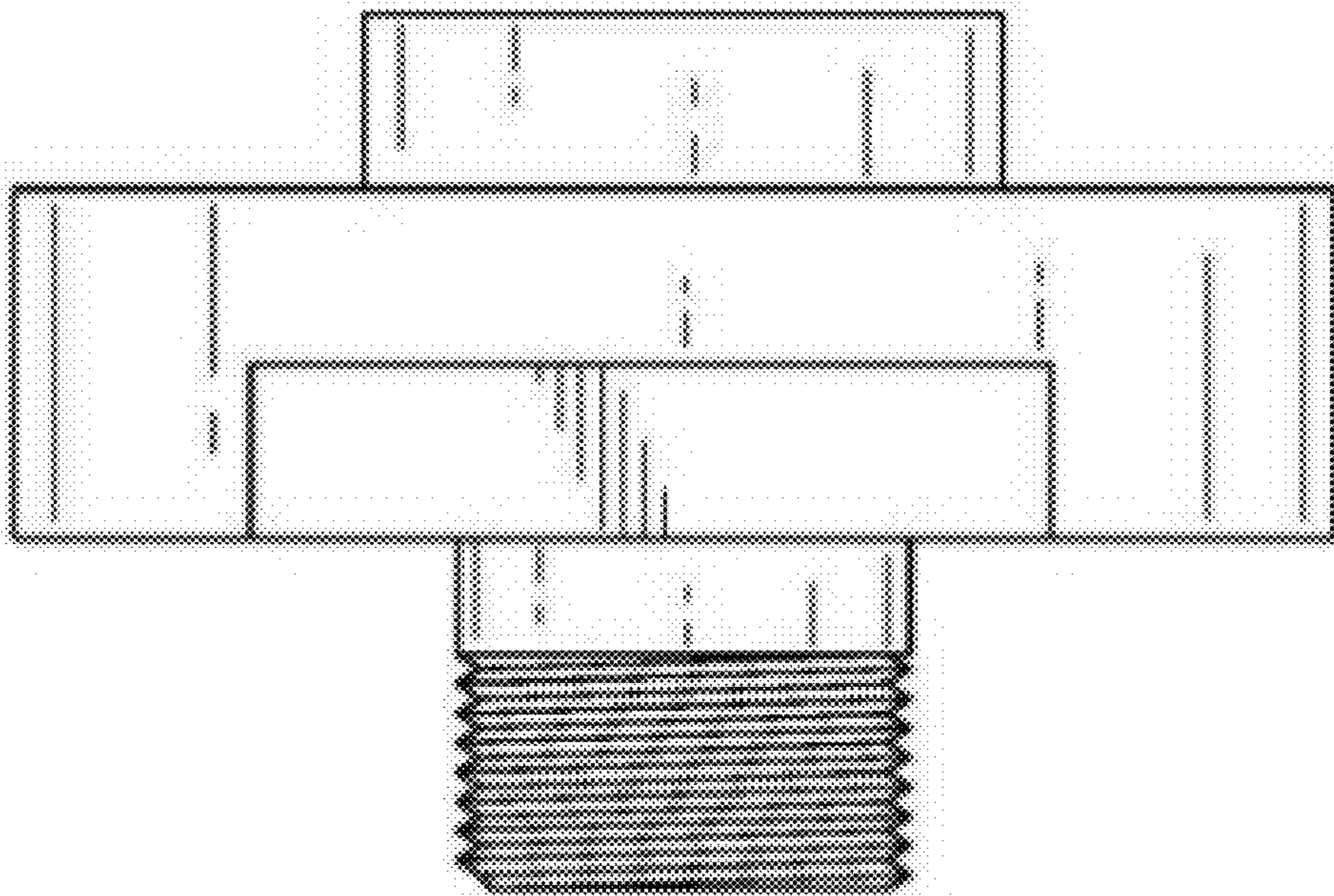
1.2



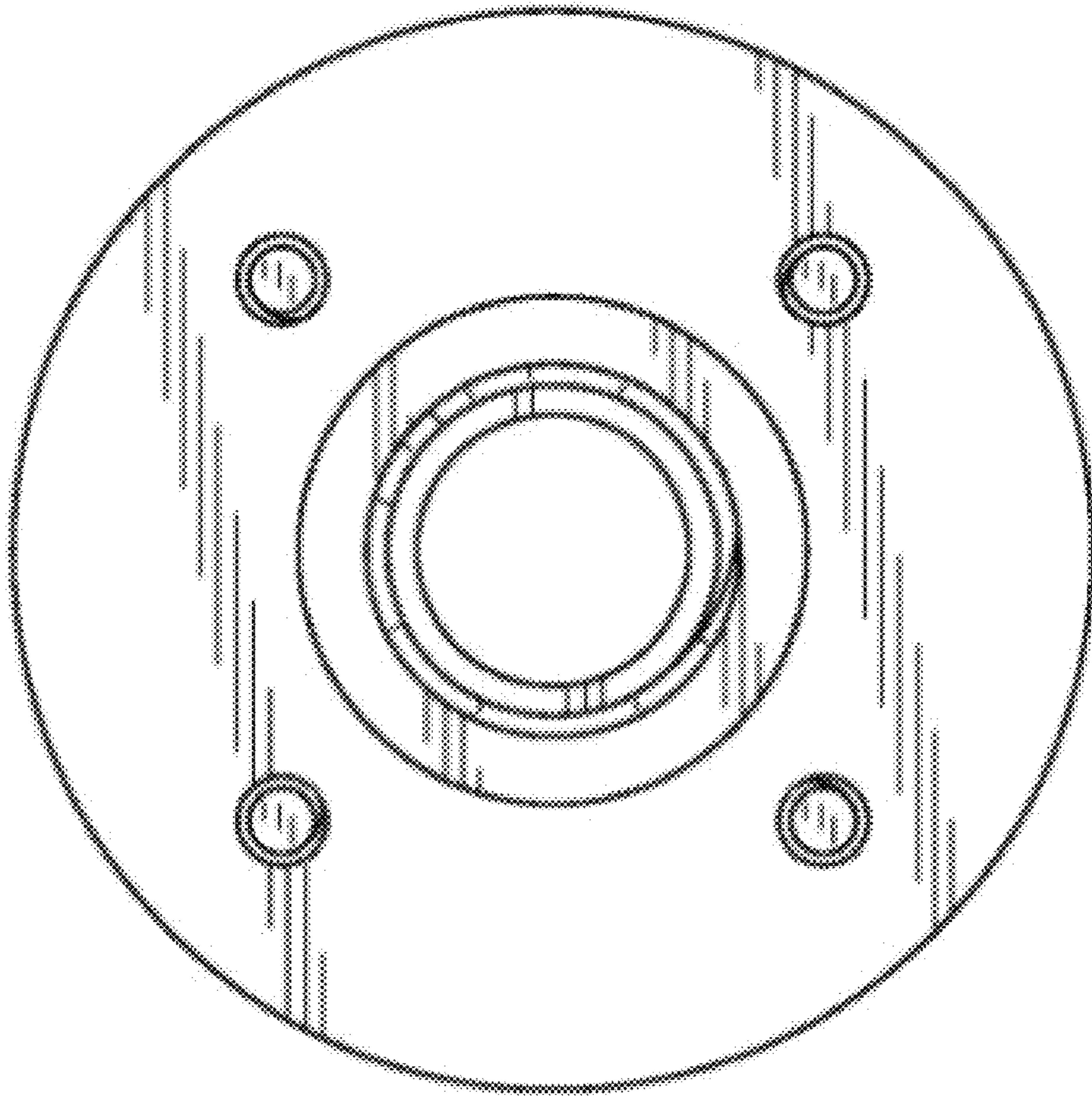
1.3



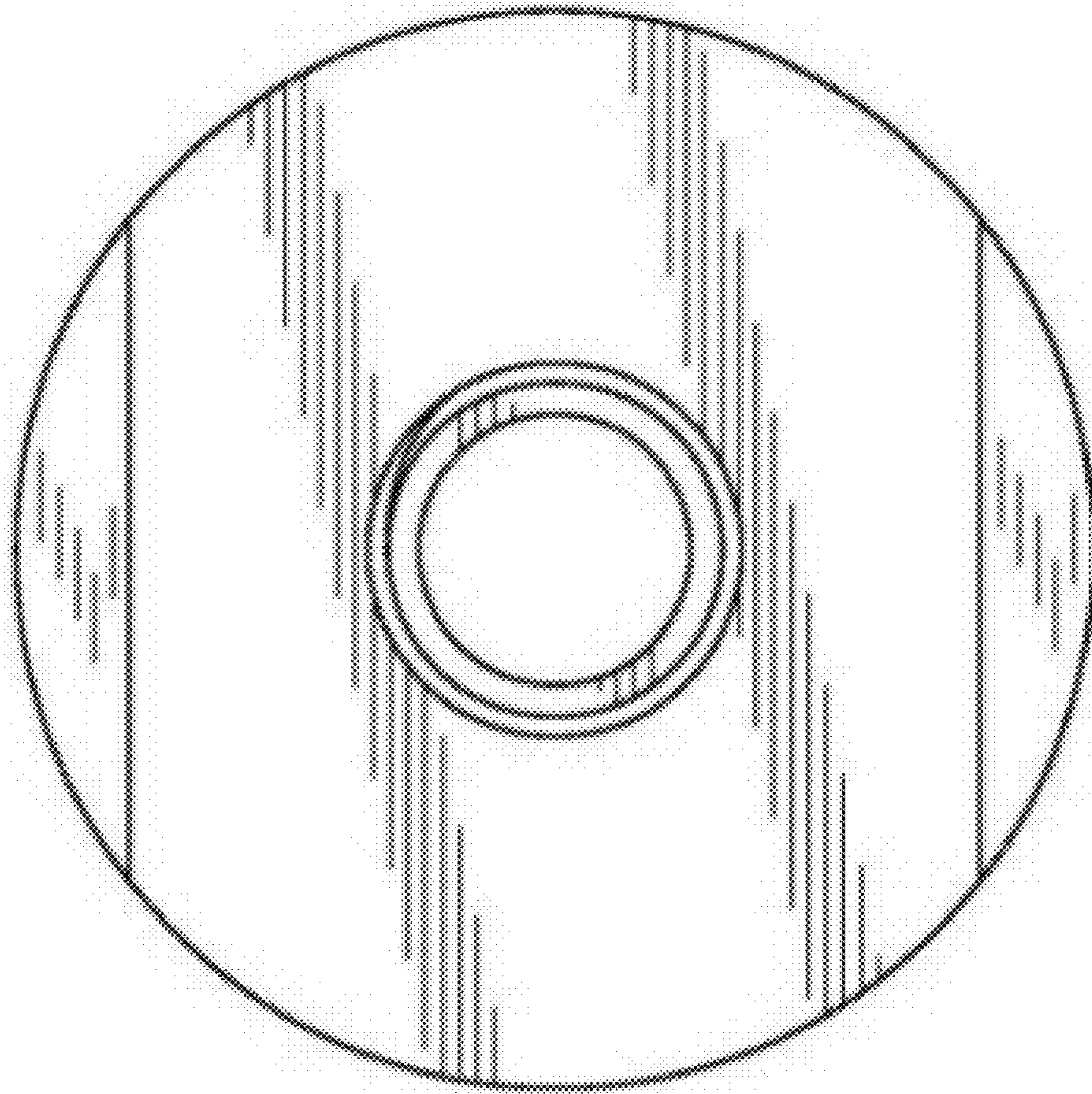
1.4



1.5



1.6



1.7

