



US00D828855S

(12) **United States Design Patent**  
**Höhne et al.**

(10) **Patent No.:** **US D828,855 S**  
(45) **Date of Patent:** **\*\* Sep. 18, 2018**

(54) **DISPLAY SCREEN OR PORTION THEREOF WITH ICON SET**

D636,780 S 4/2011 Musleh  
D650,392 S 12/2011 Glezer et al.  
D650,790 S 12/2011 Jeans et al.  
D662,107 S 6/2012 Lee et al.

(71) Applicant: **Apple Inc.**, Cupertino, CA (US)

(Continued)

(72) Inventors: **Sascha Höhne**, Hamburg (DE); **Ole Lagemann**, Hamburg (DE)

**FOREIGN PATENT DOCUMENTS**

(73) Assignee: **Apple Inc.**, Cupertino, CA (US)

EM 002449074-0001 7/2014  
EM 002449074-0002 7/2014

(\*\*) Term: **15 Years**

**OTHER PUBLICATIONS**

(21) Appl. No.: **29/594,876**

Thanosquest, Musical instrument icons, posted at shutterstock, posting date Jun. 13, 2017. [online] [site visited Apr. 26, 2018]. Available from Internet. <URL: <https://www.shutterstock.com/image-vector/musical-instruments-icons-604084544>> (Year: 2017).\*

(22) Filed: **Feb. 23, 2017**

(Continued)

**Related U.S. Application Data**

(63) Continuation of application No. 29/552,022, filed on Jan. 19, 2016, now Pat. No. Des. 782,516.

(51) **LOC (11) Cl.** ..... **14-04**

(52) **U.S. Cl.**

USPC ..... **D14/492**

(58) **Field of Classification Search**

USPC ..... D14/485-495

CPC ..... G06F 3/0481; G06F 3/04817; H04N

1/00424

See application file for complete search history.

*Primary Examiner* — Kevin K Rudzinski

*Assistant Examiner* — Kathleen J Jones

(56) **References Cited**

**U.S. PATENT DOCUMENTS**

5,153,829 A \* 10/1992 Furuya ..... G09B 15/002

379/110.01

6,031,529 A \* 2/2000 Migos ..... G06F 3/0481

715/783

6,529,804 B1 \* 3/2003 Draggon ..... G01C 21/3664

340/425.5

D607,001 S 12/2009 Ording

7,761,812 B2 7/2010 Ostojic et al.

D628,208 S 11/2010 Potemski et al.

D628,580 S 12/2010 Pearson et al.

(74) *Attorney, Agent, or Firm* — Saidman DesignLaw Group, LLC

(57) **CLAIM**

The ornamental design for a display screen or portion thereof with icon set, as shown and described.

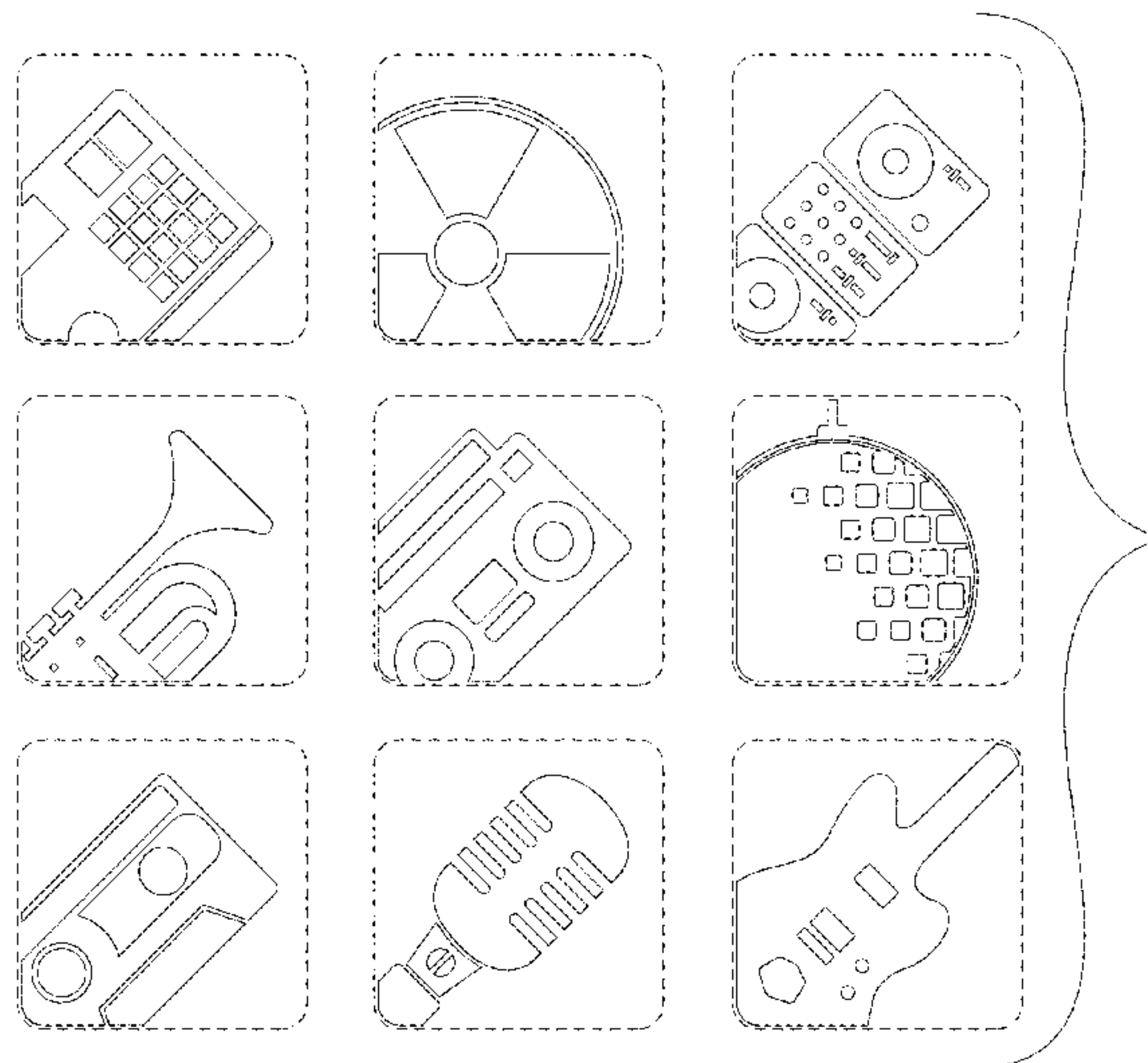
**DESCRIPTION**

The sole FIGURE shows a display screen or portion thereof with icon set showing our new design.

The peripheral dashed broken lines illustrate a display screen or portion thereof, and form no part of the claimed design.

The bracket shown in the sole FIGURE indicates a set; the bracket forms no part of the claimed design. The icons of the set are arranged relatively on the drawing sheet for the convenience of illustration, and the placement of each icon relative to another, or to the drawing sheet, forms no part of the claimed design.

**1 Claim, 1 Drawing Sheet**



(56)

References Cited

U.S. PATENT DOCUMENTS

D665,814 S 8/2012 Rashid et al.  
 D667,422 S 9/2012 Elliott  
 D673,581 S 1/2013 Kobayashi  
 D675,644 S 2/2013 Frost et al.  
 D677,685 S 3/2013 Simmons et al.  
 D687,048 S \* 7/2013 Scharfeld ..... D14/485  
 D697,524 S 1/2014 Ording  
 D697,928 S 1/2014 Okumura et al.  
 D704,221 S \* 5/2014 Ma ..... D14/492  
 D708,636 S 7/2014 Wolfe et al.  
 D714,322 S 9/2014 Pereira  
 D715,834 S 10/2014 Siddons  
 D721,720 S 1/2015 Kim et al.  
 D723,050 S 2/2015 Minsung et al.  
 D726,221 S \* 4/2015 Gomez ..... D14/492  
 D741,348 S 10/2015 Roberts  
 9,160,294 B2 \* 10/2015 Allen ..... H03G 5/02  
 D745,031 S 12/2015 Roberts et al.  
 D745,558 S \* 12/2015 Clarke ..... D14/492  
 D748,102 S \* 1/2016 Scharfeld ..... D14/485  
 9,230,526 B1 \* 1/2016 Cook ..... G10H 1/0033  
 D750,659 S 3/2016 Cranfill  
 D753,687 S 4/2016 Anzures et al.  
 D754,729 S \* 4/2016 Kim ..... D14/489  
 D755,854 S \* 5/2016 Quandt ..... D14/492  
 D758,417 S 6/2016 Chaudhri et al.  
 D758,440 S \* 6/2016 Seo ..... D14/492  
 D758,447 S \* 6/2016 Seo ..... D14/492  
 D761,274 S 7/2016 Kim et al.  
 D761,315 S \* 7/2016 Kim ..... D14/492  
 D765,702 S 9/2016 Song  
 2002/0108484 A1 \* 8/2002 Arnold ..... G09B 15/04  
 84/615  
 2002/0178096 A1 \* 11/2002 Marshall ..... G06F 3/04815  
 705/35  
 2003/0079599 A1 \* 5/2003 Gimpelson ..... G09B 1/02  
 84/610  
 2003/0159570 A1 \* 8/2003 Toshitani ..... G10H 1/0058  
 84/645  
 2006/0117261 A1 \* 6/2006 Sim ..... G10H 1/0066  
 715/727  
 2008/0091286 A1 \* 4/2008 Lengeling ..... G10H 1/46  
 700/94  
 2008/0244406 A1 10/2008 Ikehata et al.  
 2009/0258700 A1 \* 10/2009 Bright ..... A63F 13/10  
 463/31  
 2010/0146283 A1 \* 6/2010 Poitier ..... G11B 20/00086  
 713/176  
 2010/0175022 A1 \* 7/2010 Diehl ..... G06F 3/0481  
 715/784  
 2010/0305732 A1 \* 12/2010 Serletic ..... G06F 3/0481  
 700/94  
 2012/0329025 A1 \* 12/2012 Yang ..... G09B 5/06  
 434/322

2013/0259402 A1 10/2013 Kotsuji  
 2014/0041513 A1 \* 2/2014 Abesser ..... G10H 1/0008  
 84/622  
 2014/0173459 A1 \* 6/2014 Gaiser ..... H04L 67/22  
 715/753  
 2015/0020170 A1 \* 1/2015 Talley ..... H04L 63/08  
 726/4  
 2017/0277396 A1 \* 9/2017 Chung ..... G06F 3/04817

OTHER PUBLICATIONS

Circle media icons, posted at iconswebsite, posting date Aug. 12, 2007. [online] [site visited Apr. 26, 2018]. Available from Internet. <URL: <http://iconswebsite.com/shutterstock-image/circle-media-icons-4533394.html>> (Year: 2007).\*

Vector Set of Musical Instrument Icons, posted at iconswebsite, posting date Sep. 7, 2014. [online] [site visited Apr. 26, 2018]. Available from Internet. <URL: <http://iconswebsite.com/shutterstock-image/vector-set-of-musical-instruments-icons-215589691.html>> (Year: 2014).\*

Musical device set of icon vector illustration, posted at iconswebsite, posting date May 6, 2012. [online] [site visited Apr. 26, 2018]. Available from Internet. <URL: <http://iconswebsite.com/shutterstock-image/musical-device-set-of-icon-vector-illustration-101773822.html>> (Year: 2012).\*

Vector black musical instruments icons set on gray, posted at iconswebsite, posting date Sep. 4, 2012. [online] [site visited Apr. 26, 2018]. Available from Internet. <URL: <http://iconswebsite.com/shutterstock-image/vector-black-musical-instruments-icons-set-on-gray-111904082.html>> (Year: 2012).\*

Vector Music Icons, posted at iconswebsite, posting date Jul. 25, 2014. [online] [site visited Apr. 26, 2018]. Available from Internet. <URL: <http://iconswebsite.com/shutterstock-image/vector-music-icons-207164296.html>> (Year: 2014).\*

Studio music—garage band, posted at Android Apps, comment posting date Jul. 20, 2013. [online], [site visited Nov. 7, 2016]. Available from Internet, <URL: <https://play.google.com/store/apps/details?id=cs.example.studiomusic>>.

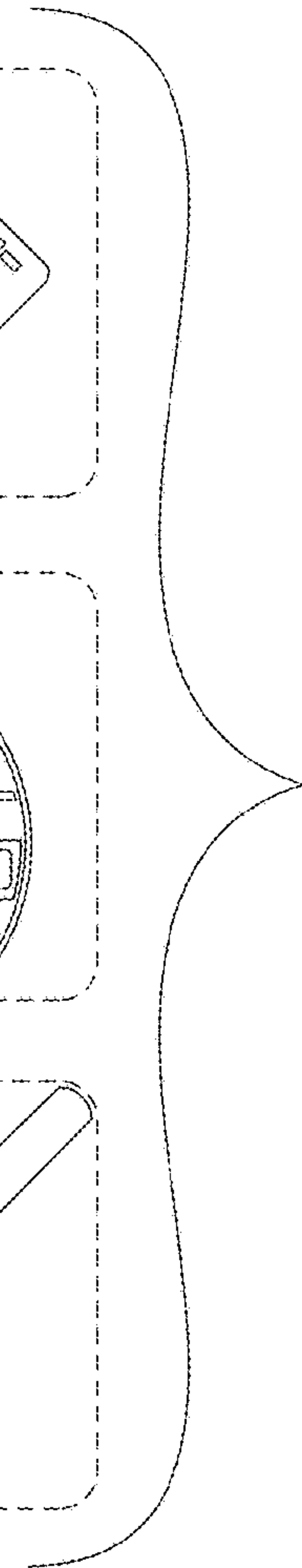
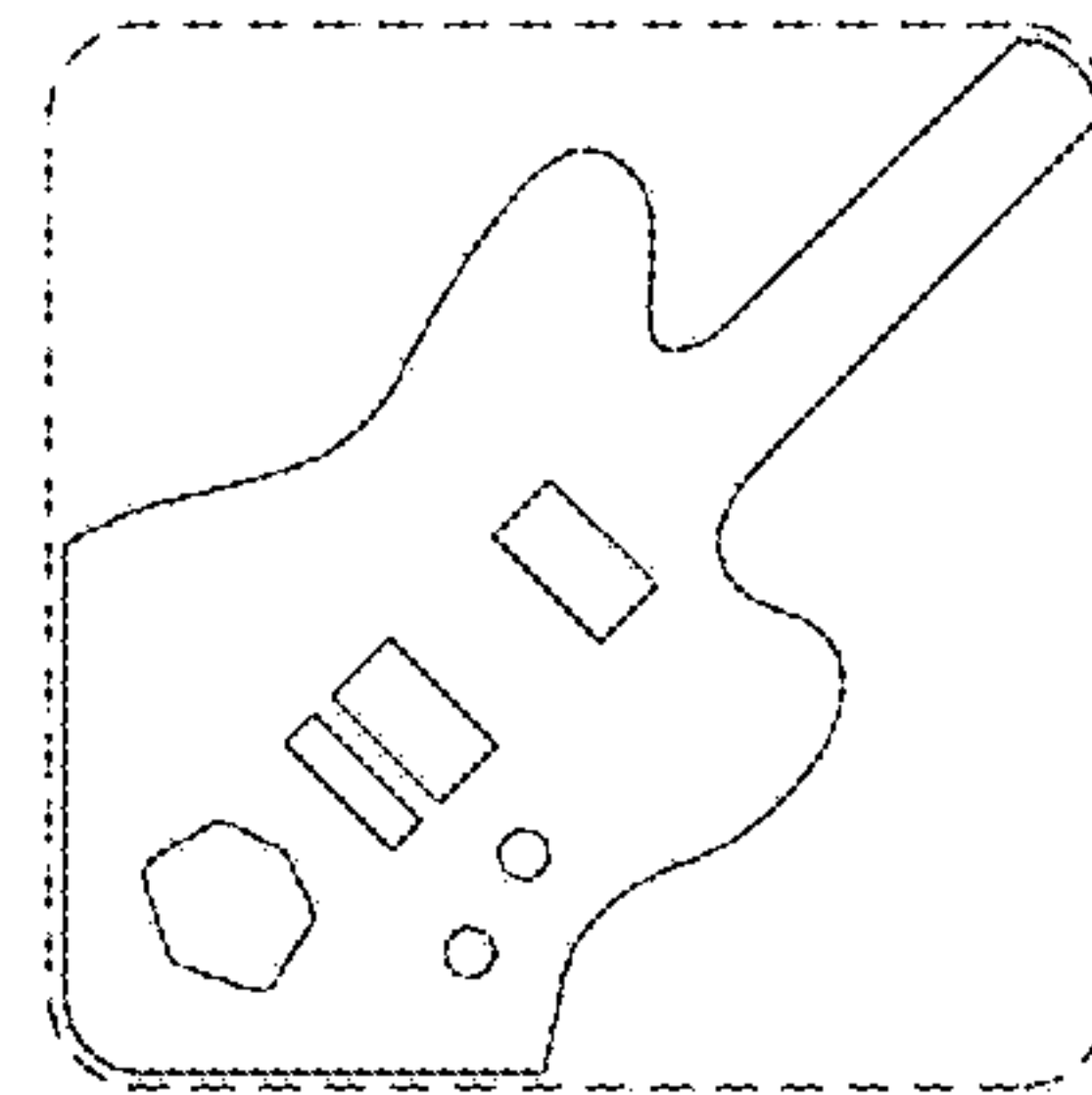
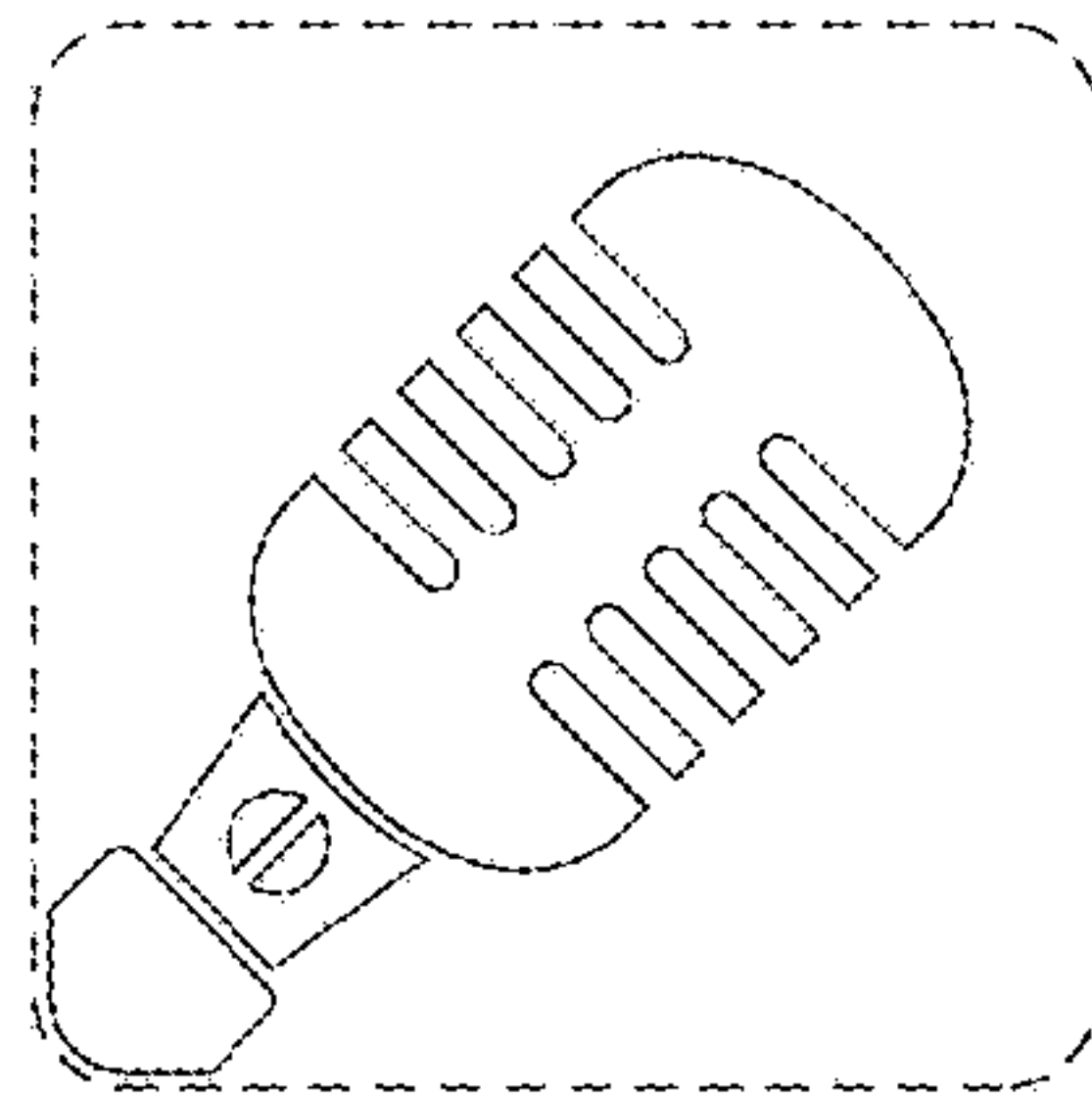
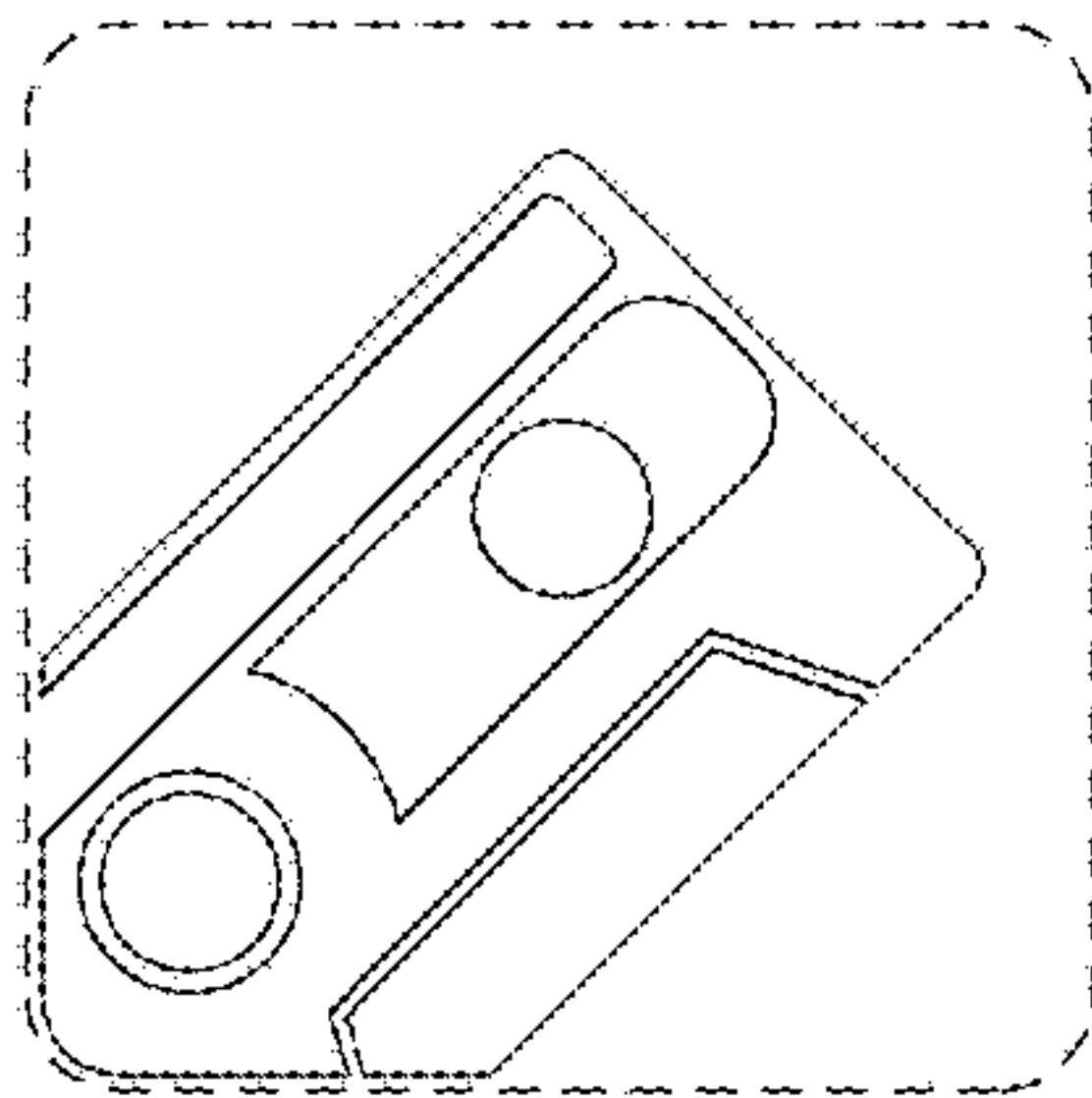
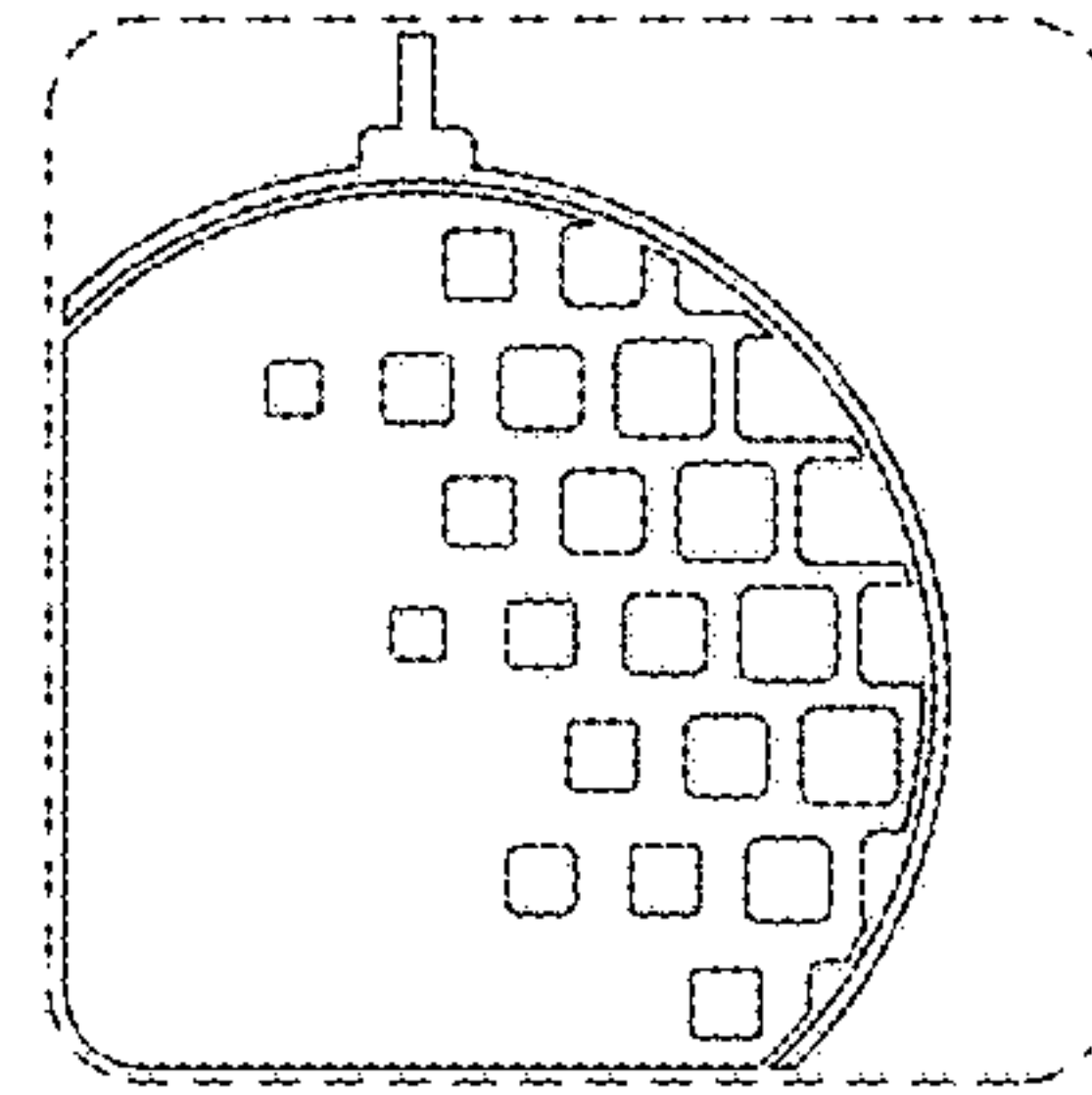
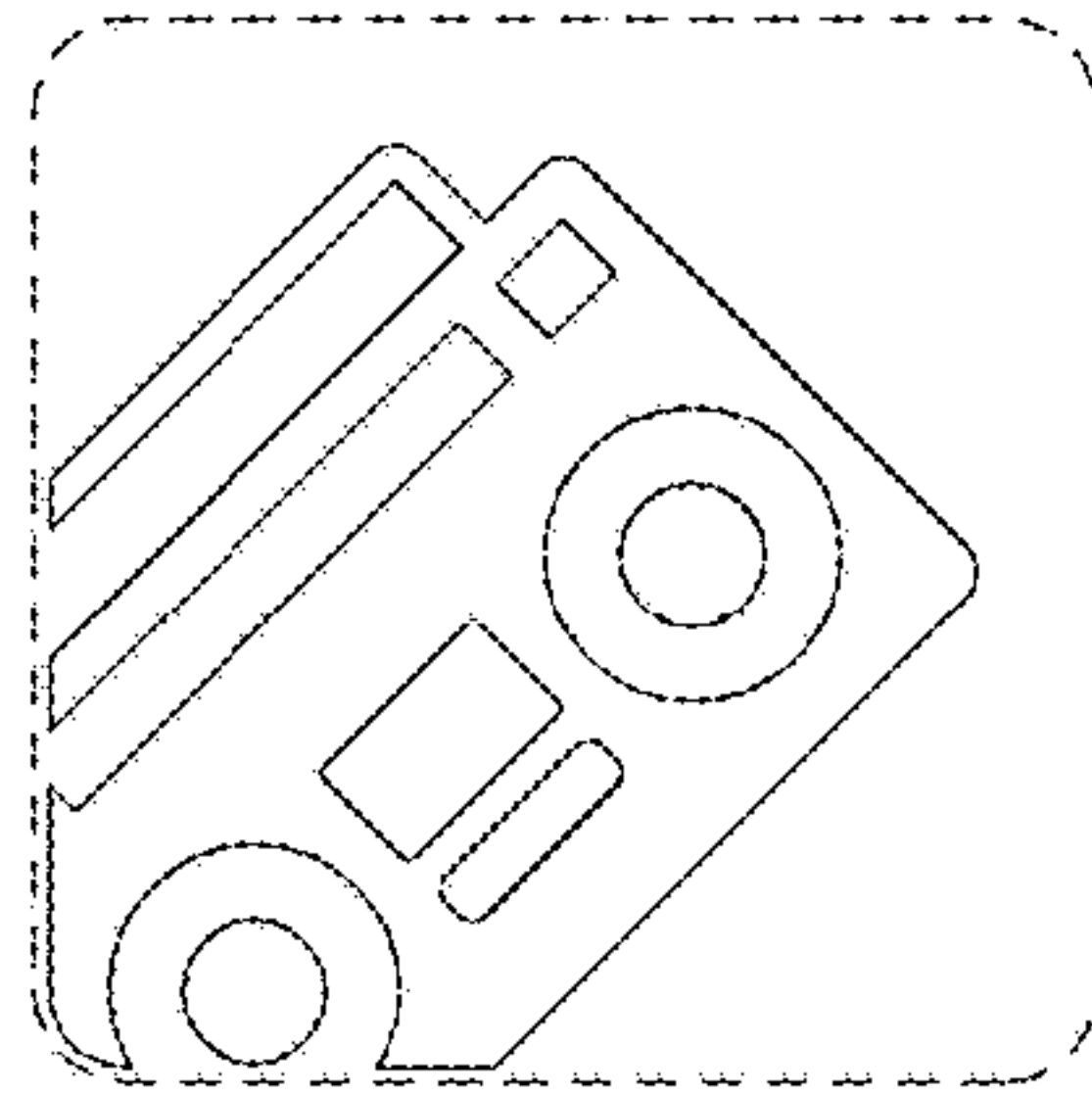
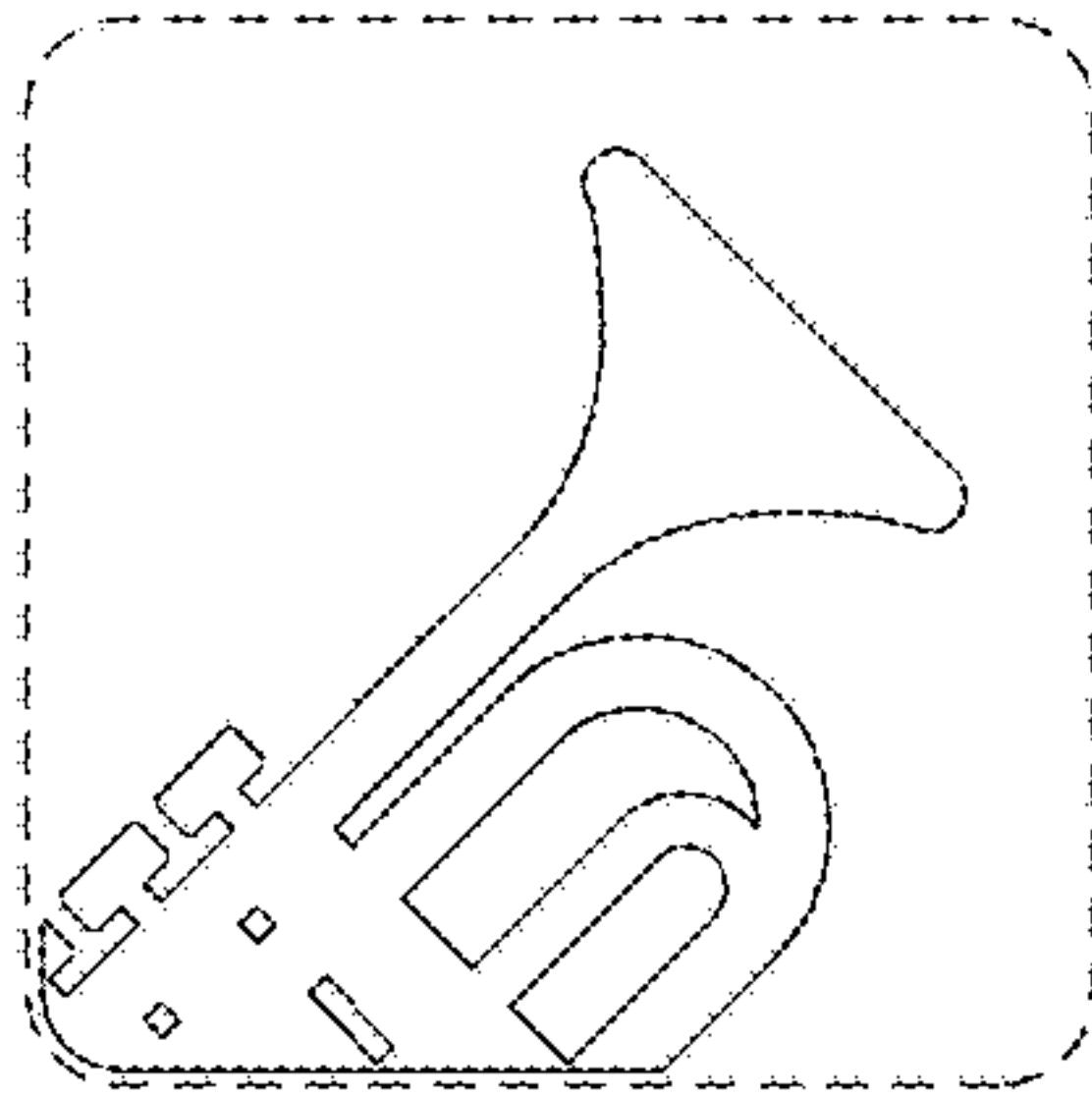
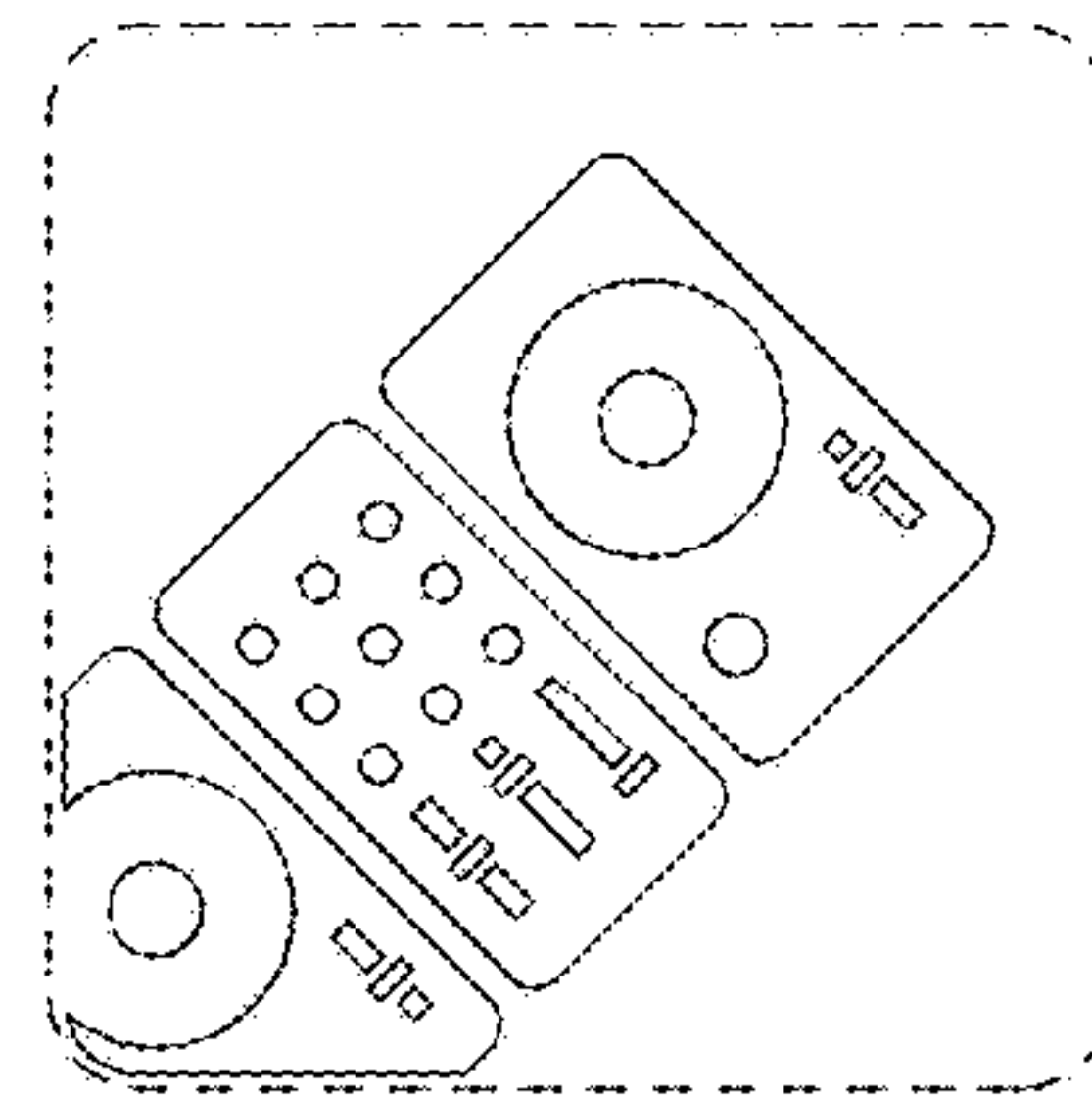
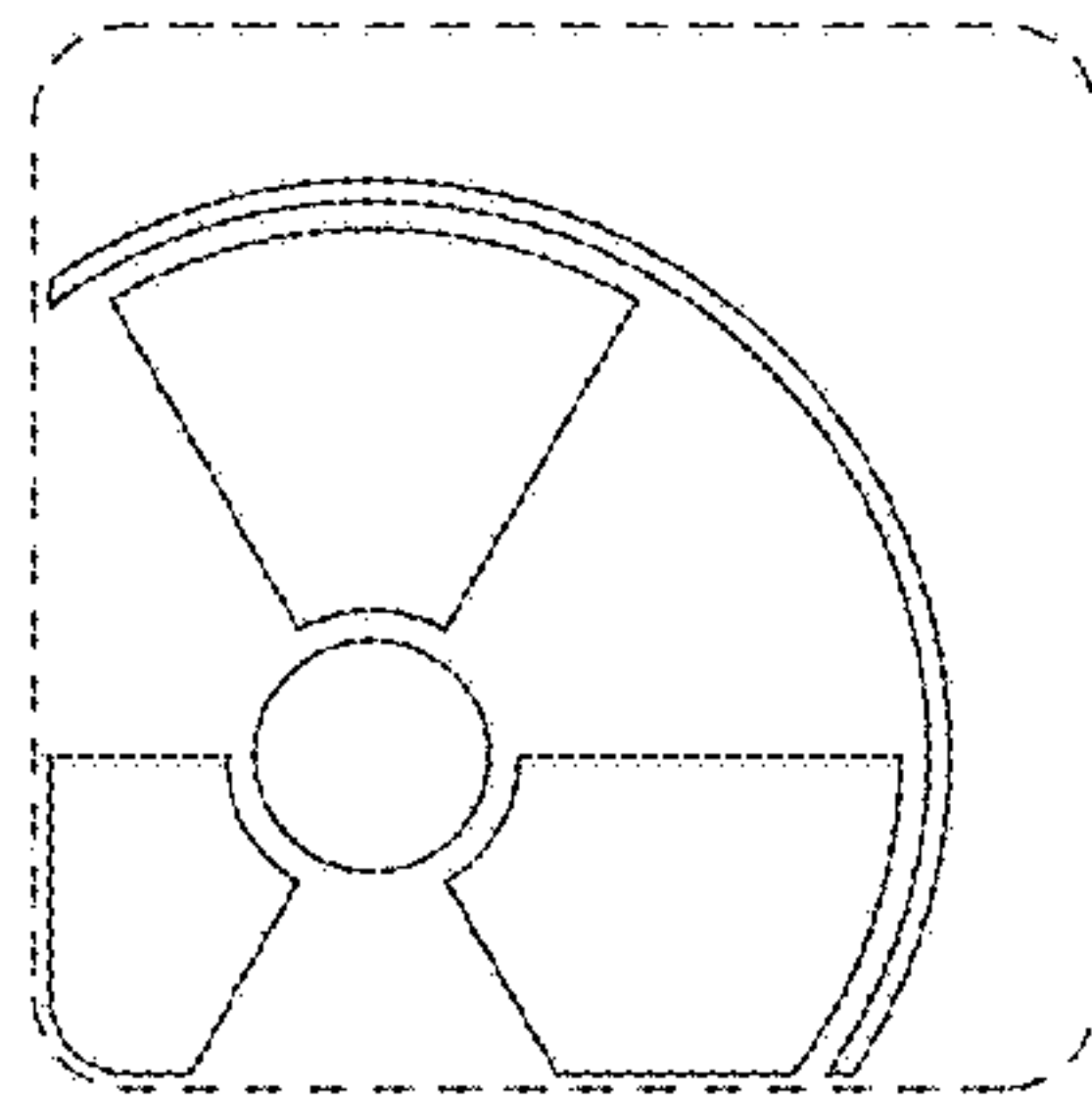
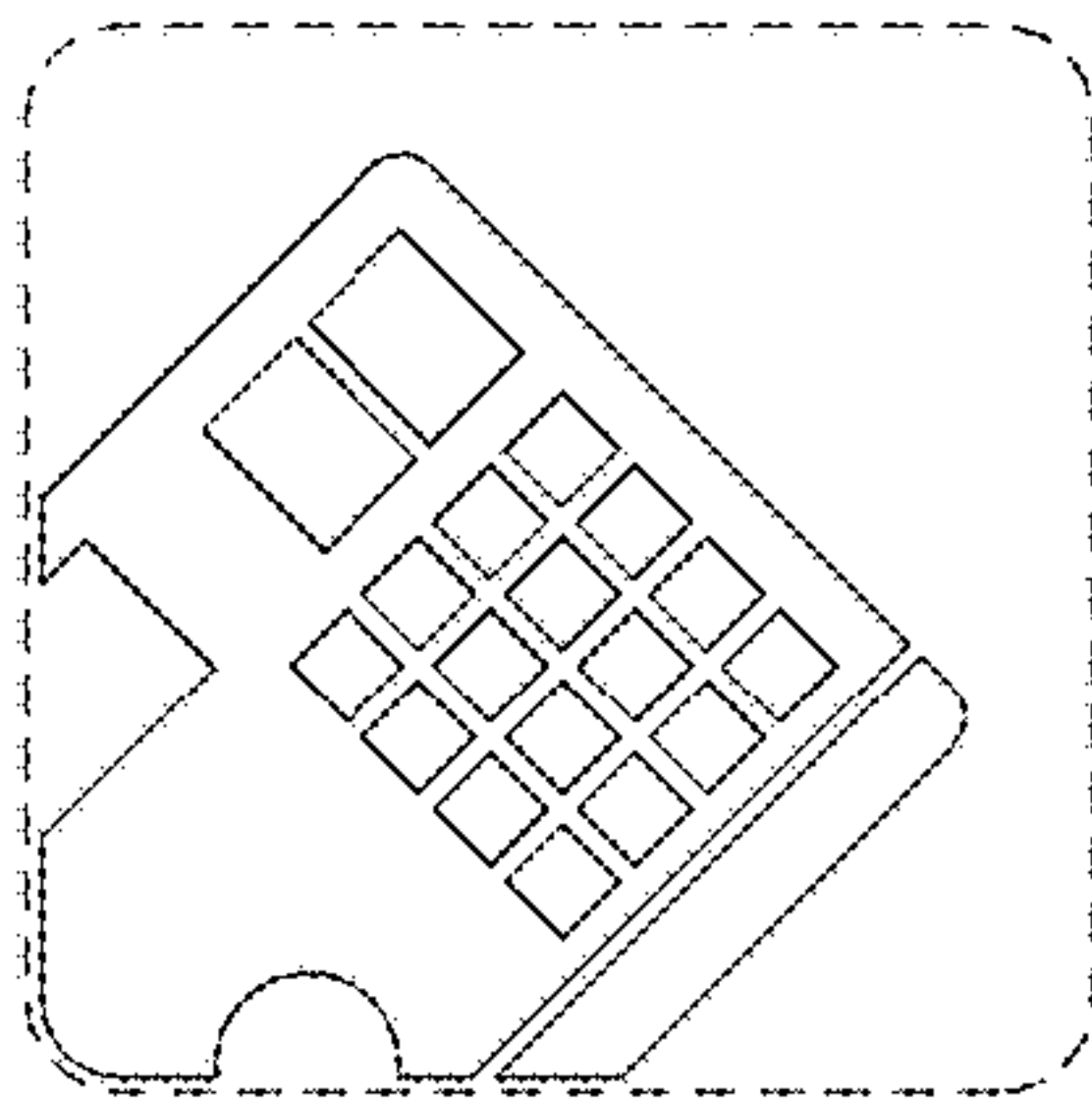
Cage, Andy, Top 5 GarageBand Alternatives for Windows PC (Free & Paid), posted at Tech Panorma, posting date Sep. 9, 2015. [online], [site visited Nov. 7, 2016]. Available from Internet, <URL: <http://www.techpanorma.com/top-5-garageband-alternatives-for-windows/>>.

Wahid, Mohamed, How to customise the Windows 10 Start menu, posted at PC Advisor, posting date Jul. 3, 2015. [online], [site visited Nov. 7, 2016]. Available from Internet, <URL: <http://www.pcadvisor.co.uk/how-to/windows/how-customise-windows-10-start-menu-3618442/>>.

Music Studio Pro, posted at Android Apps, comment posting date Jul. 16, 2014. [online], [site visited Nov. 7, 2016]. Available from Internet, <URL: <https://play.google.com/store/apps/details?id=com.bigapps.beatmakerpro>>.

\* cited by examiner





UNITED STATES PATENT AND TRADEMARK OFFICE  
**CERTIFICATE OF CORRECTION**

PATENT NO. : D828,855 S  
APPLICATION NO. : 29/594876  
DATED : September 18, 2018  
INVENTOR(S) : Sascha Höhne et al.

Page 1 of 1

It is certified that error appears in the above-identified patent and that said Letters Patent is hereby corrected as shown below:

On the Title Page

(56) References Cited

OTHER PUBLICATIONS

Column 2:

- Thanosquest, Musical instrument icons, posted at shutterstock, posting date Jun. 13, 2017. [online] [site visited Apr. 26, 2018]. Available from Internet. <URL:

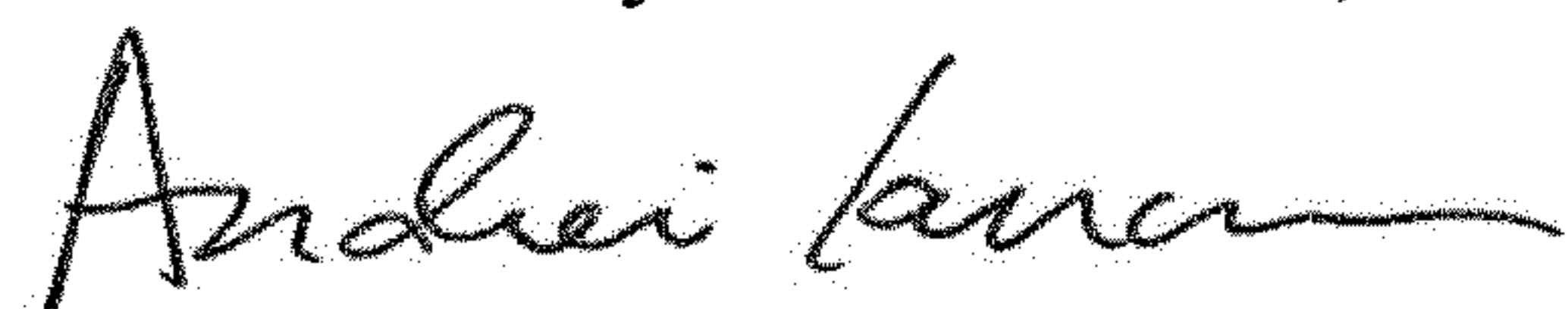
<https://www.shutterstock.co/image-vector/musical-instruments-icons-604084544>> (Year: 2017).\* -

Should read:

- Thanosquest, Musical instrument icons, posted at shutterstock, posting date Jun. 13, 2017. [online] [site visited Apr. 26, 2018]. Available from Internet. <URL:

<https://www.shutterstock.com/image-vector/musical-instruments-icons-604084544>> (Year: 2017).\* -

Signed and Sealed this  
Twentieth Day of November, 2018



Andrei Iancu  
*Director of the United States Patent and Trademark Office*