



US00D828843S

(12) **United States Design Patent** (10) **Patent No.:** **US D828,843 S**
Foldvary (45) **Date of Patent:** **** Sep. 18, 2018**

(54) **TABLET COMPUTER STAND**
(71) Applicant: **Winglets Australia Pty Ltd.**, Concord, NSW (AU)
(72) Inventor: **Malcolm G. Foldvary**, Sydney (AU)
(73) Assignee: **WINGLETS PTY LTD**, Concord (AU)
(**) Term: **15 Years**
(21) Appl. No.: **29/607,247**
(22) Filed: **Jun. 12, 2017**
(51) **LOC (11) Cl.** **08-07**
(52) **U.S. Cl.**
USPC **D14/447**
(58) **Field of Classification Search**
USPC D14/447, 432, 434, 439, 440, 451, 452, D14/457, 239; D8/363, 373, 380; D6/406.3, 406.4, 406.5, 406.6; D12/415
CPC A47B 21/04; A47B 2097/006; A47B 2097/005; A47B 2023/049; A45C 2011/002; A45C 2011/003; F16M 2200/00; F16M 13/00
See application file for complete search history.

D662,082 S 6/2012 McManingal
D676,053 S 2/2013 Izen et al.
D676,450 S 2/2013 Lye
D680,547 S * 4/2013 Williams D14/447
D688,670 S * 8/2013 Huang D14/447
D703,673 S * 4/2014 Kittlaus D14/447
D704,196 S 5/2014 Yohai-Giochais
8,714,510 B2 5/2014 McCosh et al.
D715,804 S 10/2014 Frenzel
D717,306 S * 11/2014 Clouser D14/447
D720,343 S * 12/2014 Nichols D14/253
D723,040 S 2/2015 Kang et al.
D751,564 S * 3/2016 Hahn D14/447
D752,595 S * 3/2016 Heckler D14/447
D806,450 S * 1/2018 Seong D6/672
2010/0019094 A1 1/2010 Theurich et al.
2012/0075789 A1 3/2012 Decamp et al.
2013/0258586 A1 10/2013 Shao et al.

* cited by examiner

Primary Examiner — Angela J Lee
(74) *Attorney, Agent, or Firm* — Shlesinger, Arkwright & Garvey LLP

(57) **CLAIM**

The ornamental design for a tablet computer stand, as shown and described.

(56) **References Cited**

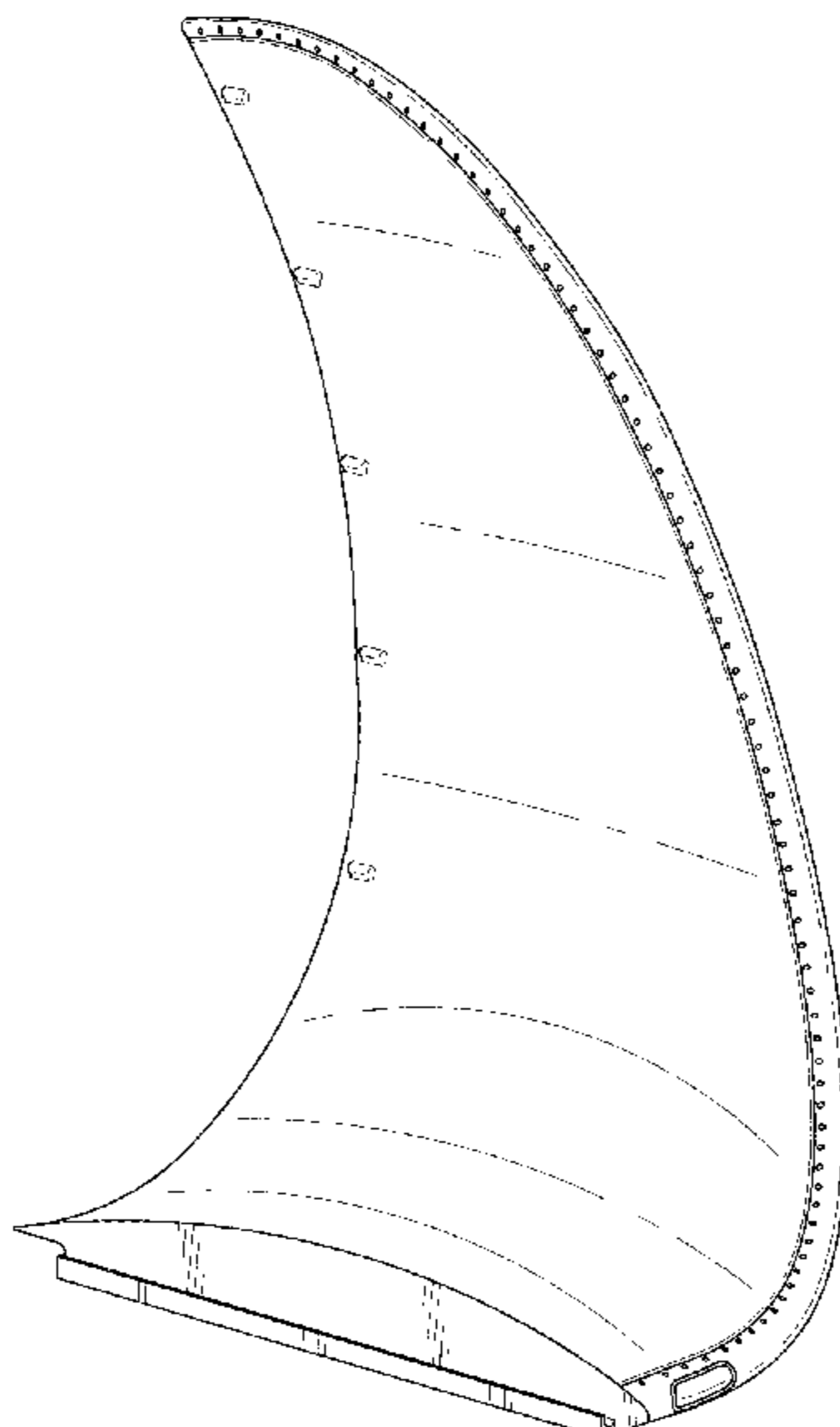
U.S. PATENT DOCUMENTS

D230,376 S 2/1974 Andrew
D413,110 S * 8/1999 Sweere D14/447
6,019,339 A 2/2000 Brayford
D453,155 S * 1/2002 Michel D14/253
D469,439 S * 1/2003 Bradley D14/434
7,226,030 B2 6/2007 Burnett-Evans et al.
7,665,700 B2 2/2010 Taba et al.
D615,594 S 5/2010 Bellin et al.
D638,019 S 5/2011 Weisshaupt
D648,727 S * 11/2011 Van Den Nieuwenhuizen
D14/447
D649,153 S * 11/2011 Symons D14/447

DESCRIPTION

FIG. 1 is a top perspective of a tablet computer stand embodying my new design;
FIG. 2 is a bottom perspective thereof;
FIG. 3 is a front elevational view thereof;
FIG. 4 is a rear elevational view thereof;
FIG. 5 is a top plan view thereof;
FIG. 6 is a bottom plan view thereof;
FIG. 7 is a left side elevational view thereof; and,
FIG. 8 is right side elevational view thereof.

1 Claim, 5 Drawing Sheets



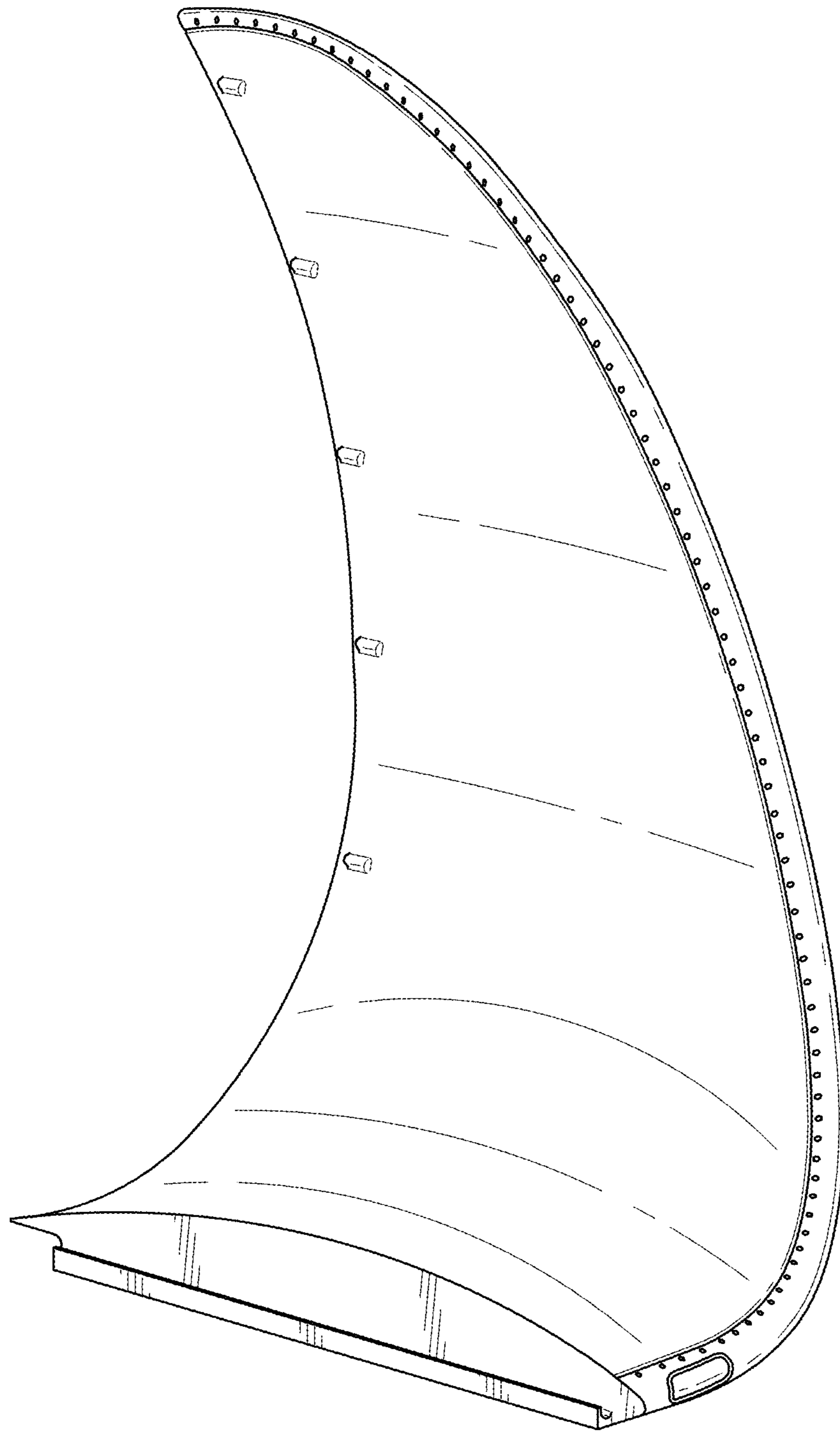


FIG. 1

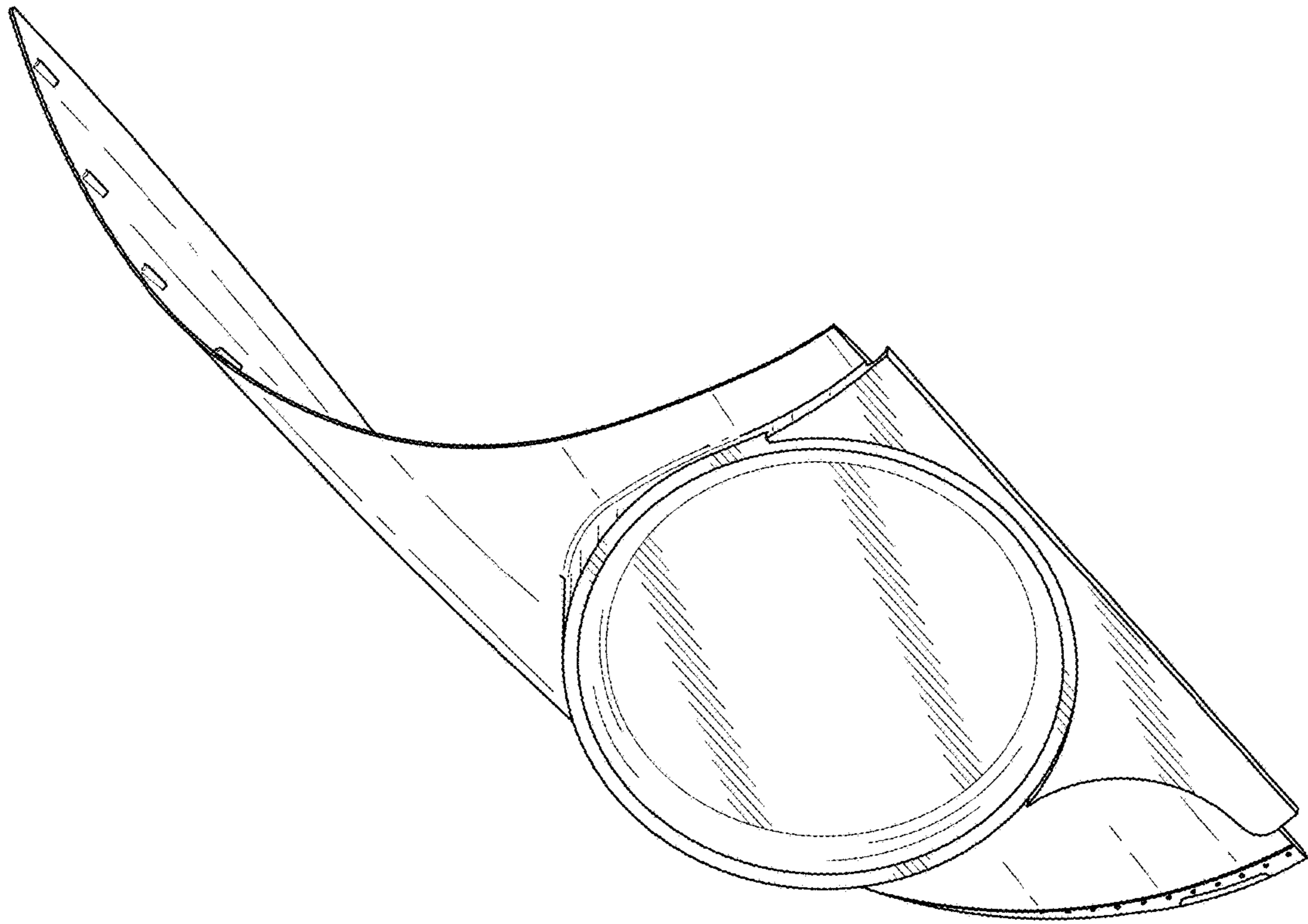


FIG. 2

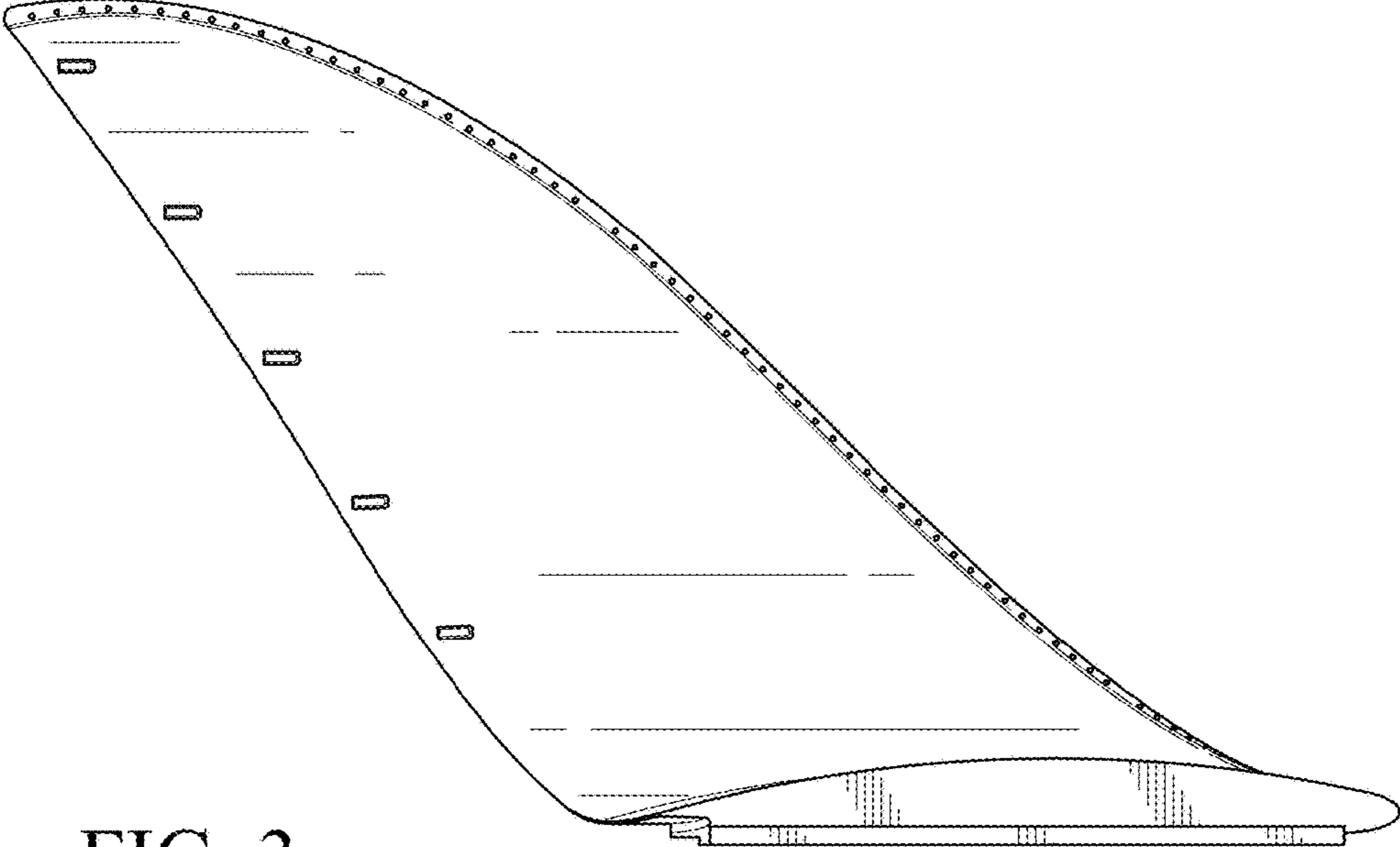


FIG. 3

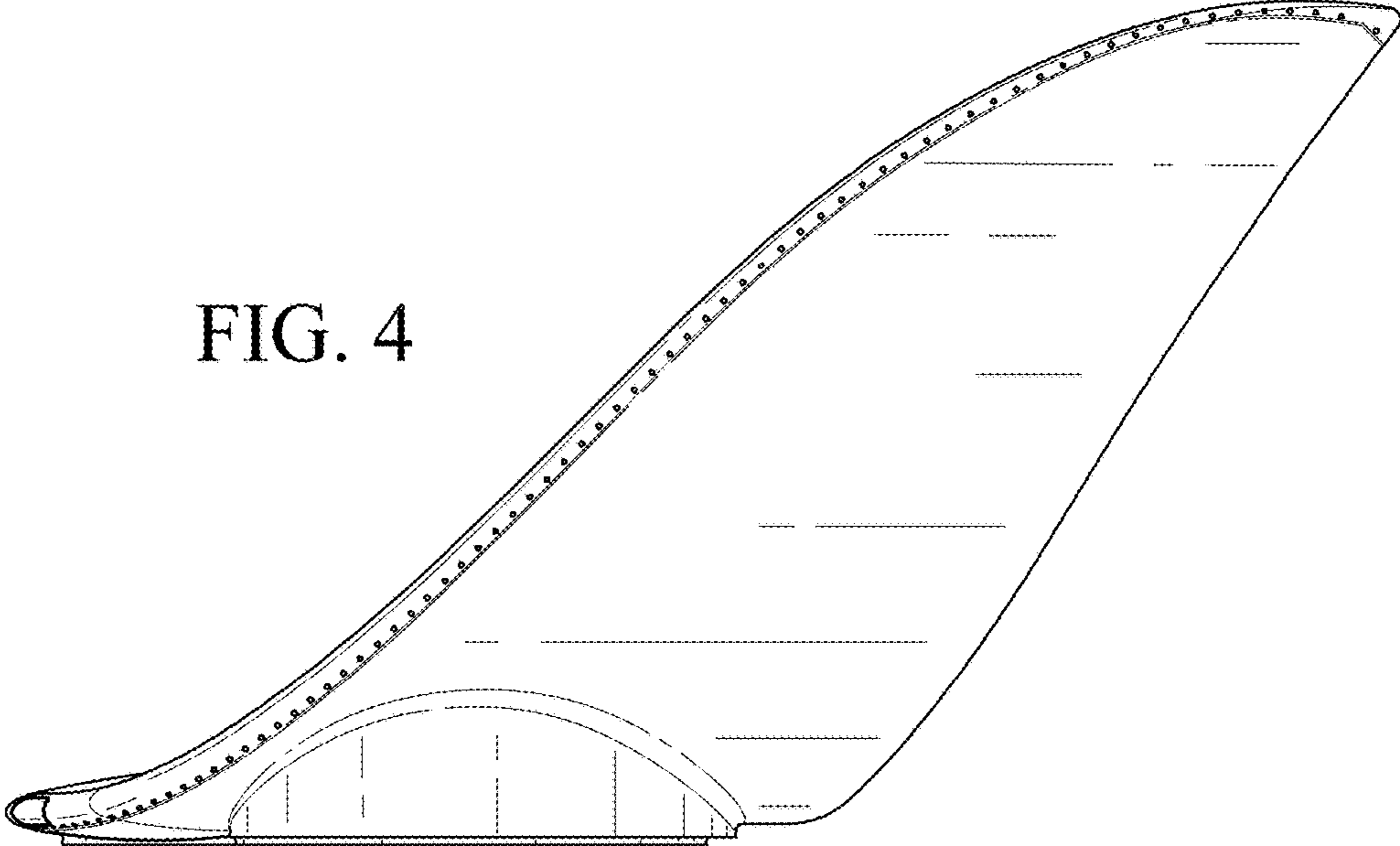


FIG. 4

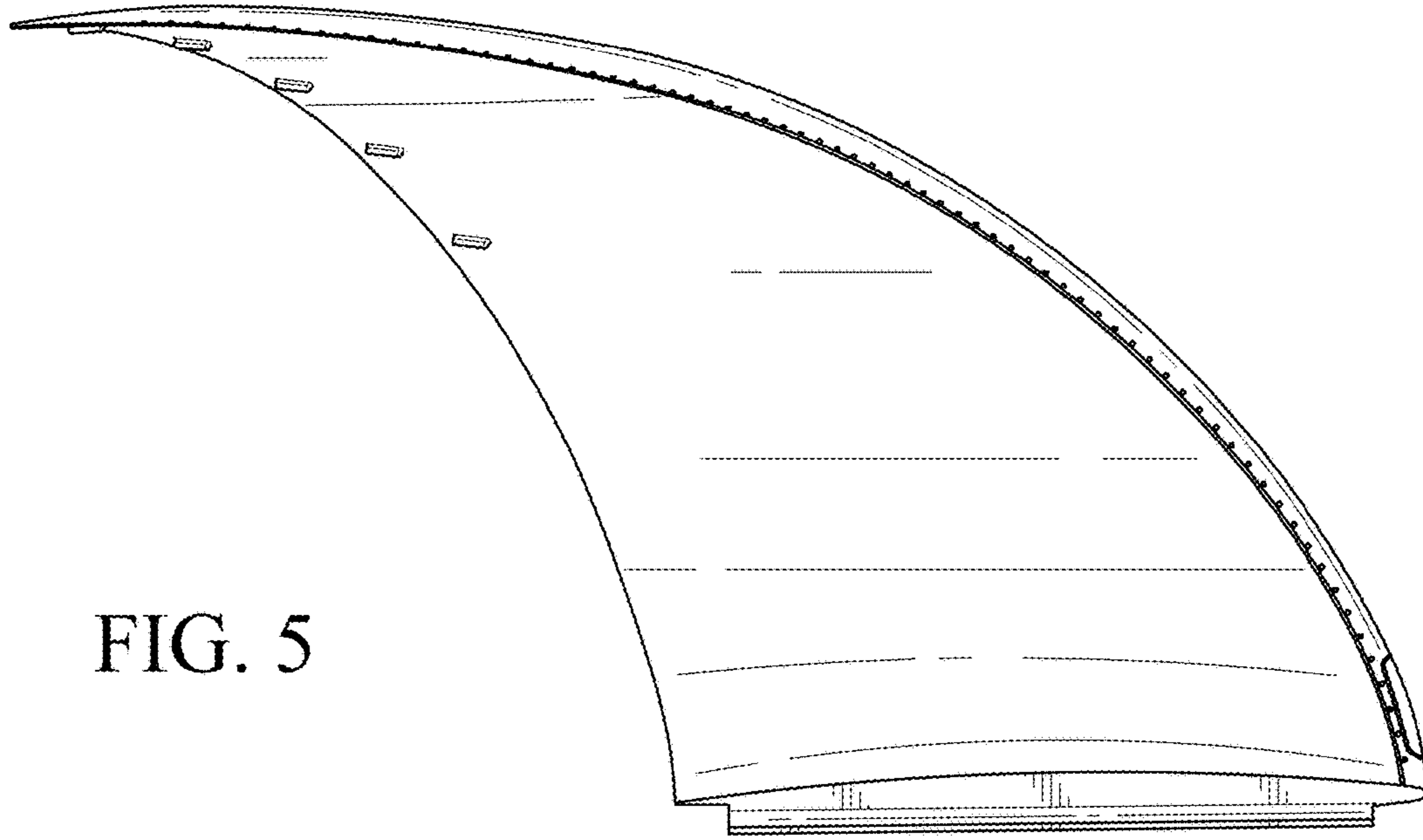


FIG. 5

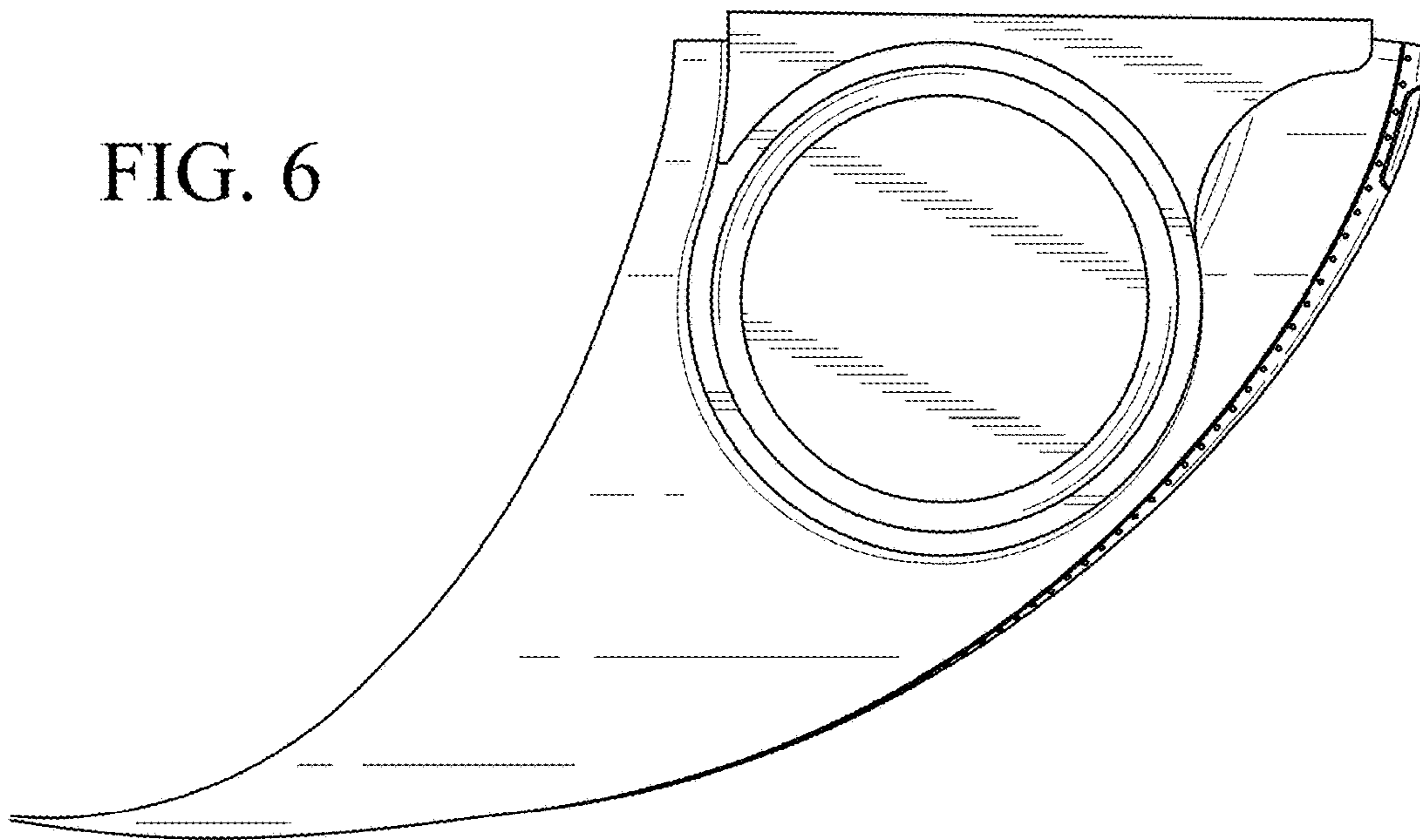


FIG. 6

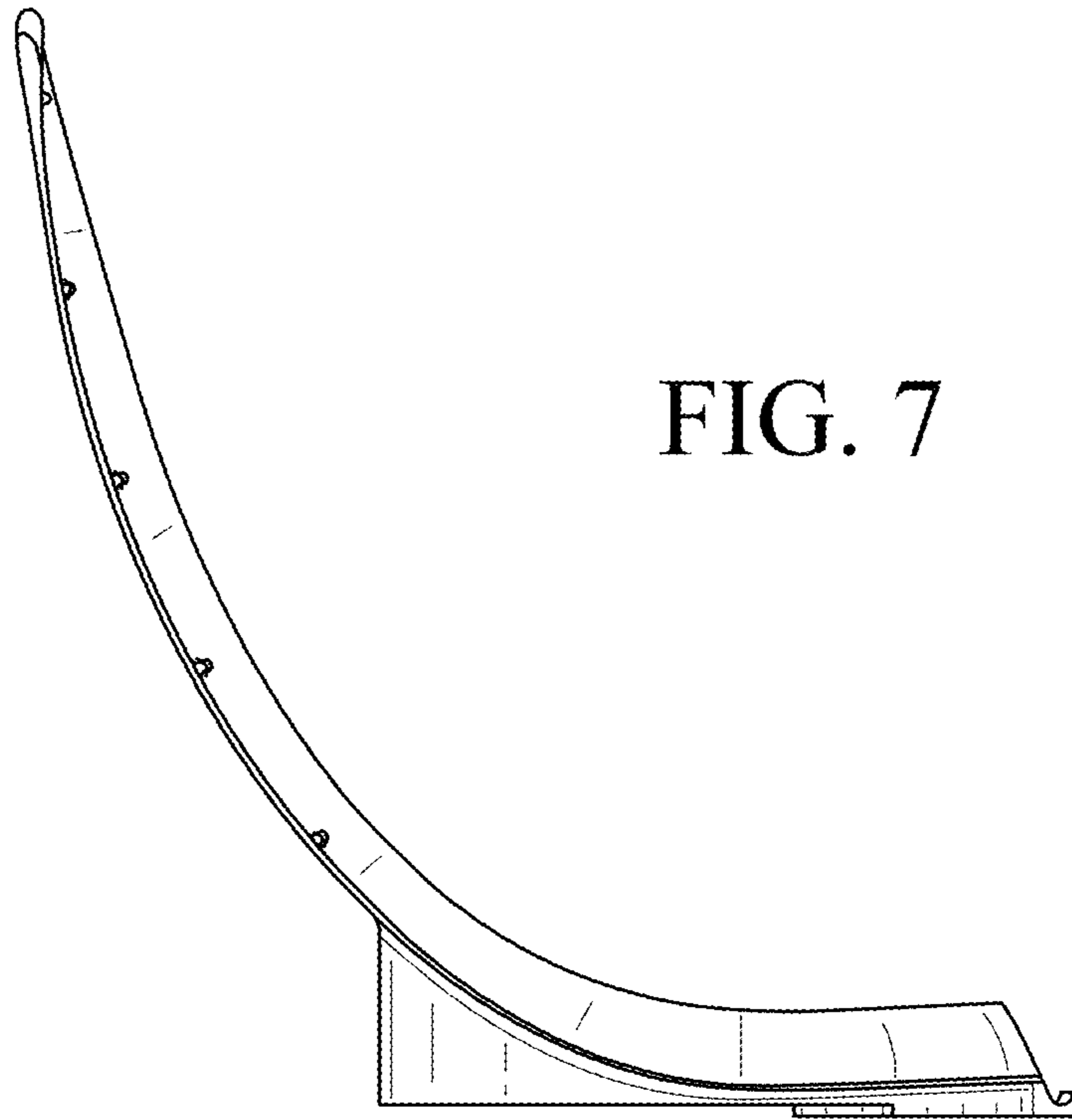


FIG. 7

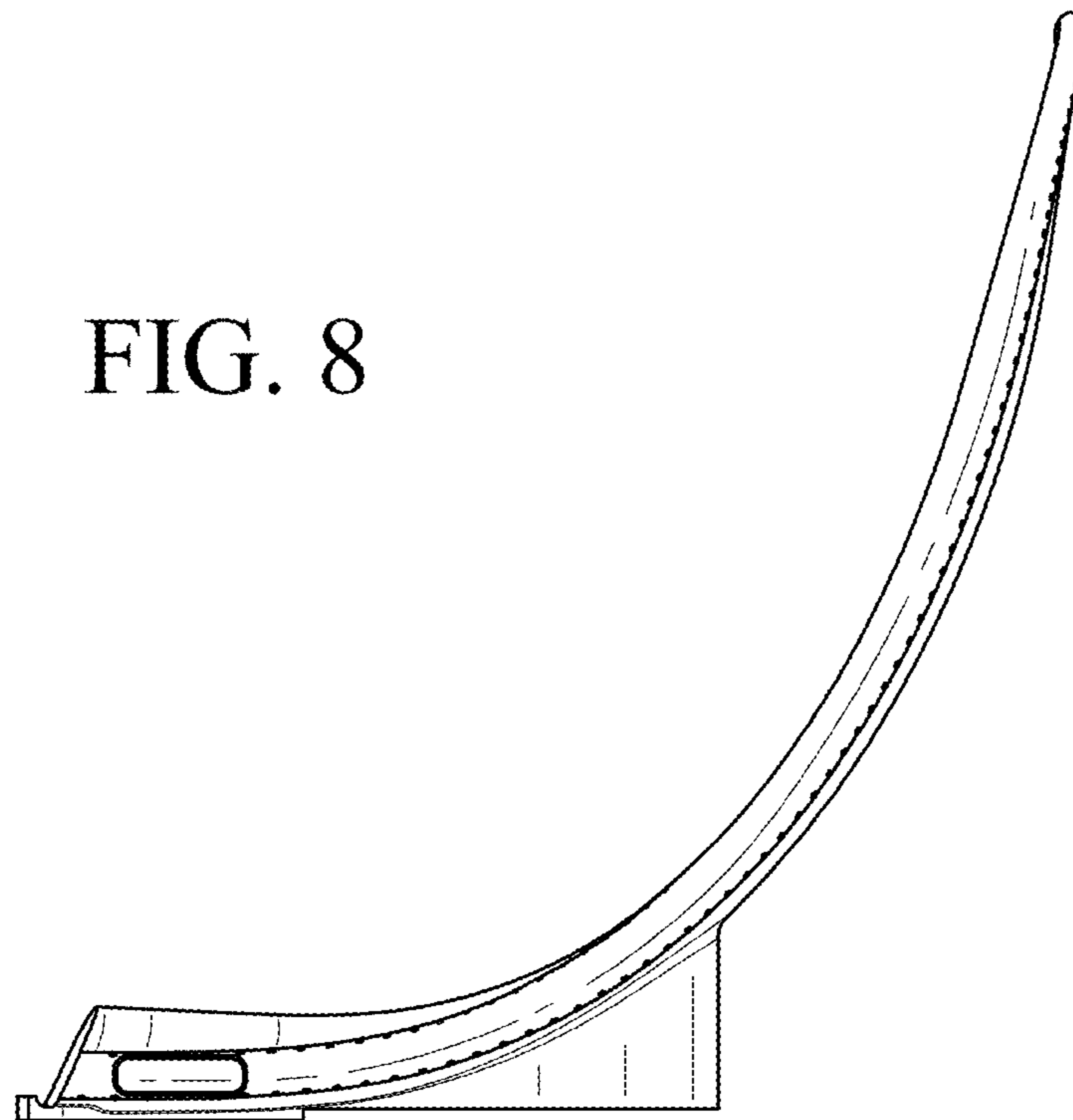


FIG. 8