



US00D828842S

(12) **United States Design Patent** (10) **Patent No.:** **US D828,842 S**
Mecchella et al. (45) **Date of Patent:** **** Sep. 18, 2018**

- (54) **ELECTRONIC DEVICE COVER**
- (71) Applicant: **Amazon Technologies, Inc.**, Seattle, WA (US)
- (72) Inventors: **Monica Liane Mecchella**, San Francisco, CA (US); **Jesse Wheeler Moore**, Oakland, CA (US)
- (73) Assignee: **Amazon Technologies, Inc.**, Seattle, WA (US)
- (**) Term: **15 Years**
- (21) Appl. No.: **29/575,195**
- (22) Filed: **Aug. 23, 2016**
- (51) **LOC (11) Cl.** **14-02**
- (52) **U.S. Cl.**
USPC **D14/440**
- (58) **Field of Classification Search**
USPC D14/440, 250, 447, 426, 330; 206/45.23, 206/320, 45.2; 361/679.55; 294/25
CPC G06F 1/1628; G06F 1/1626; G06F 1/669; A47B 23/044; H04B 1/3888
See application file for complete search history.

(56) **References Cited**

U.S. PATENT DOCUMENTS

D323,937 S *	2/1992	Solomon	D3/299
D467,429 S *	12/2002	Bone	D3/294
D657,354 S *	4/2012	Kim	D14/250
D676,448 S *	2/2013	Gorman	D14/440
D676,449 S *	2/2013	Probst	D14/440
8,542,495 B1 *	9/2013	Gorman	G06F 1/1626 361/679.02
D707,229 S *	6/2014	Almodova	D14/440
D736,777 S *	8/2015	Rayner	D14/440
D742,888 S *	11/2015	Mecchella	D14/440
D742,889 S *	11/2015	Mecchella	D14/440
D742,890 S *	11/2015	Mecchella	D14/440
D748,097 S *	1/2016	Feng	D14/440

D748,636 S *	2/2016	Zadvinskis	D14/440
D753,123 S *	4/2016	Probst	D14/440
9,307,131 B1 *	4/2016	Breen	H04N 5/2257
D761,798 S *	7/2016	Lee	D14/440
D765,086 S *	8/2016	Lee	D14/440
D765,663 S *	9/2016	Shih	D14/440
D768,638 S *	10/2016	Lee	D14/440
D774,036 S *	12/2016	Kuntz	D14/440

(Continued)

Primary Examiner — Cynthia R Underwood

(74) *Attorney, Agent, or Firm* — Lee & Hayes, PLLC

(57) **CLAIM**

The ornamental design for an electronic device cover, as shown and described.

DESCRIPTION

FIG. 1 is a front perspective view of an electronic device cover.

FIG. 2 is a back perspective view of the electronic device cover.

FIG. 3 is a front view of the electronic device cover of FIG. 1.

FIG. 4 is a back view of the electronic device cover of FIG. 1.

FIG. 5 is a left-side view of the electronic device cover of FIG. 1.

FIG. 6 is a right-side view of the electronic device cover of FIG. 1.

FIG. 7 is a top view of the electronic device cover of FIG. 1.

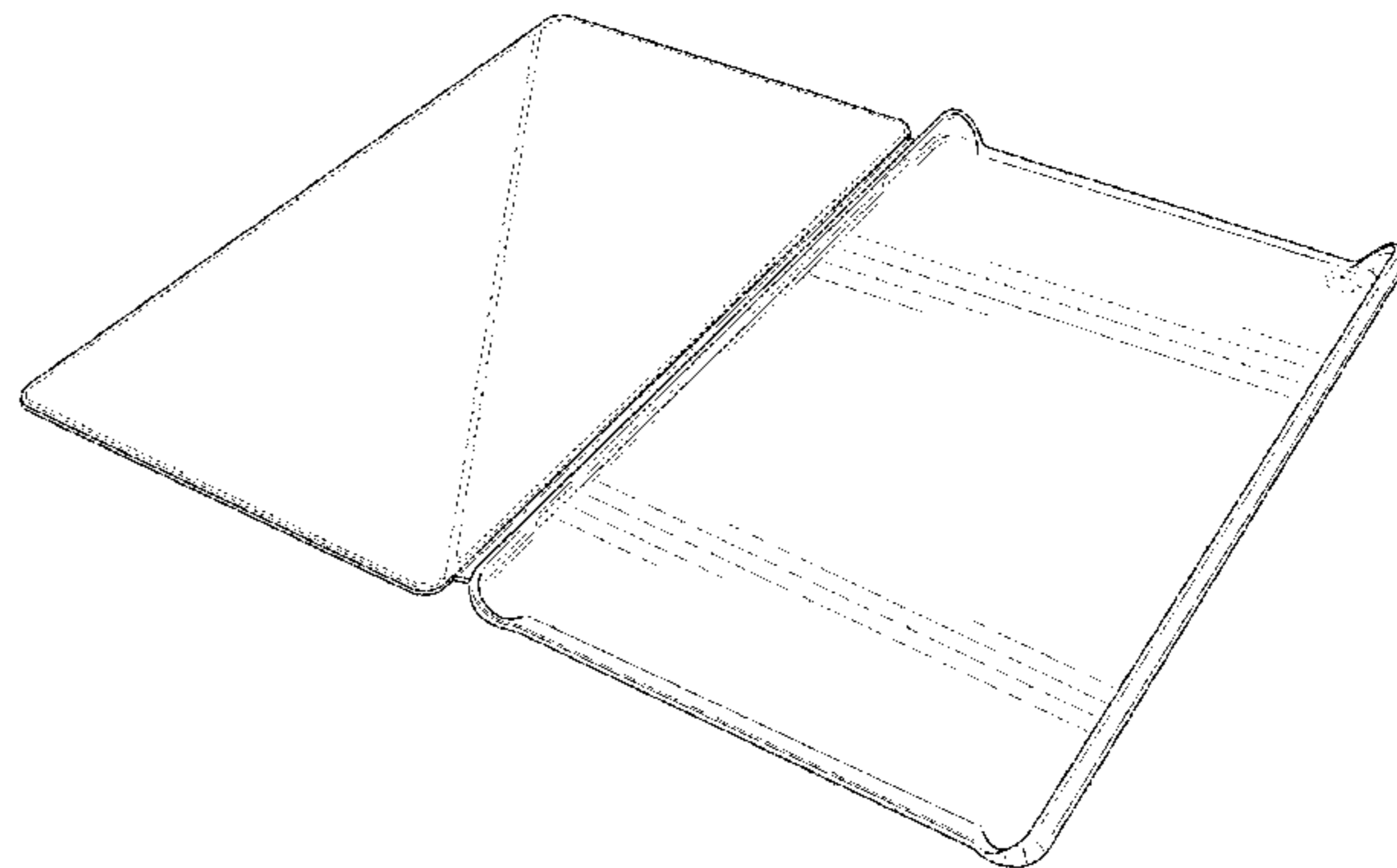
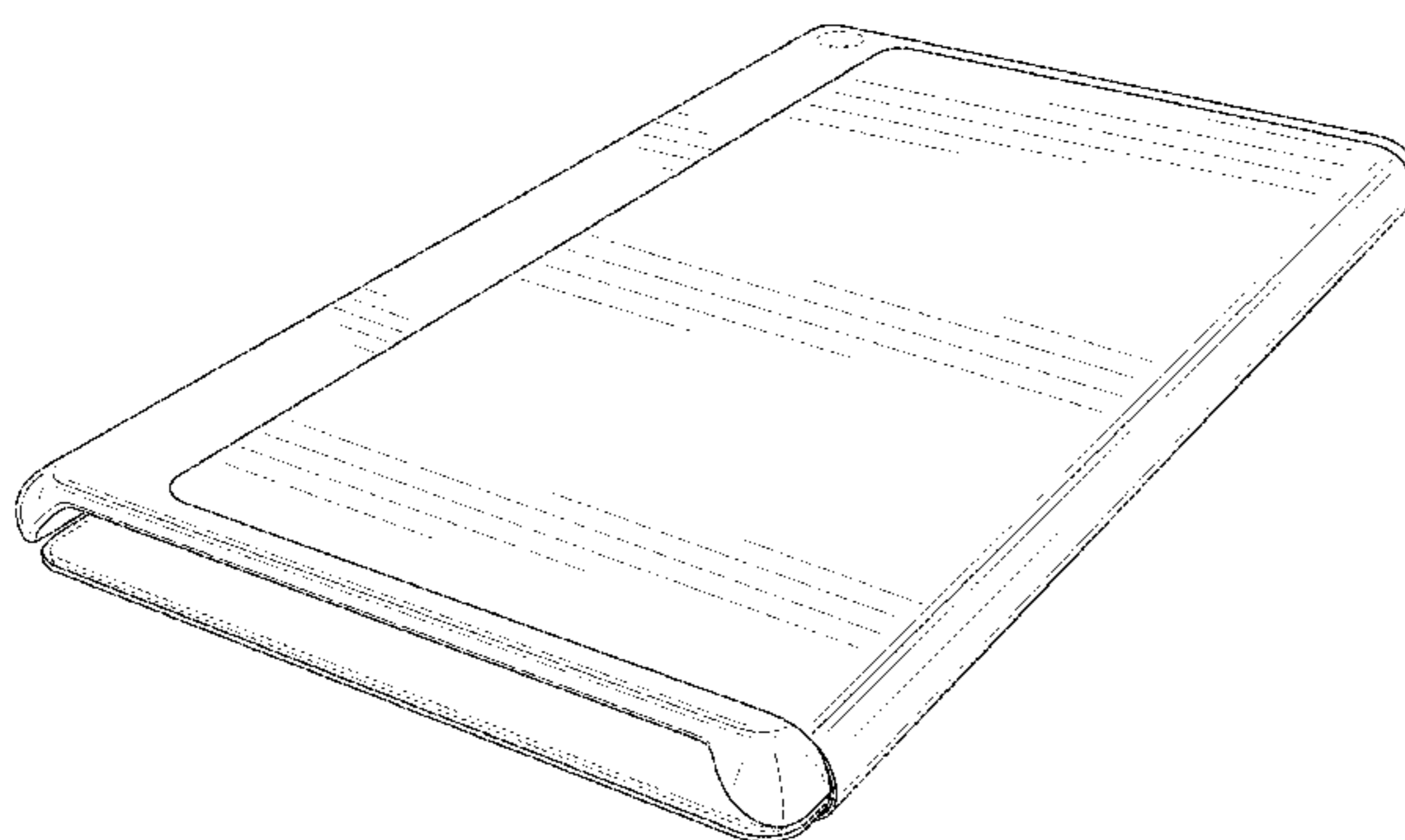
FIG. 8 is a bottom view of the electronic device cover of FIG. 1.

FIG. 9 is a first unfolded view of the electronic device cover of FIG. 1; and,

FIG. 10 is a second unfolded view of the electronic device cover of FIG. 1.

The broken lines depict portions of the electronic device cover which form no part of the claimed design.

1 Claim, 8 Drawing Sheets



(56)

References Cited

U.S. PATENT DOCUMENTS

D781,278	S *	3/2017	Kim	D14/250
D787,520	S *	5/2017	Wall	D14/440
D792,412	S *	7/2017	Zhang	D14/440
D792,887	S *	7/2017	Zhang	D14/440
D808,393	S *	1/2018	Moore	D14/440
D810,088	S *	2/2018	Moore	D14/440
D811,411	S *	2/2018	Moore	D14/440
2007/0097087	A1 *	5/2007	Homer	G06F 1/1626 345/173
2008/0194139	A1 *	8/2008	Chan	G06F 1/1613 439/521
2012/0043235	A1 *	2/2012	Klement	A45C 11/00 206/320
2013/0264459	A1 *	10/2013	McCosh	G06F 1/1626 248/688
2016/0011628	A1 *	1/2016	Sato	G06F 1/1656 361/679.3

* cited by examiner

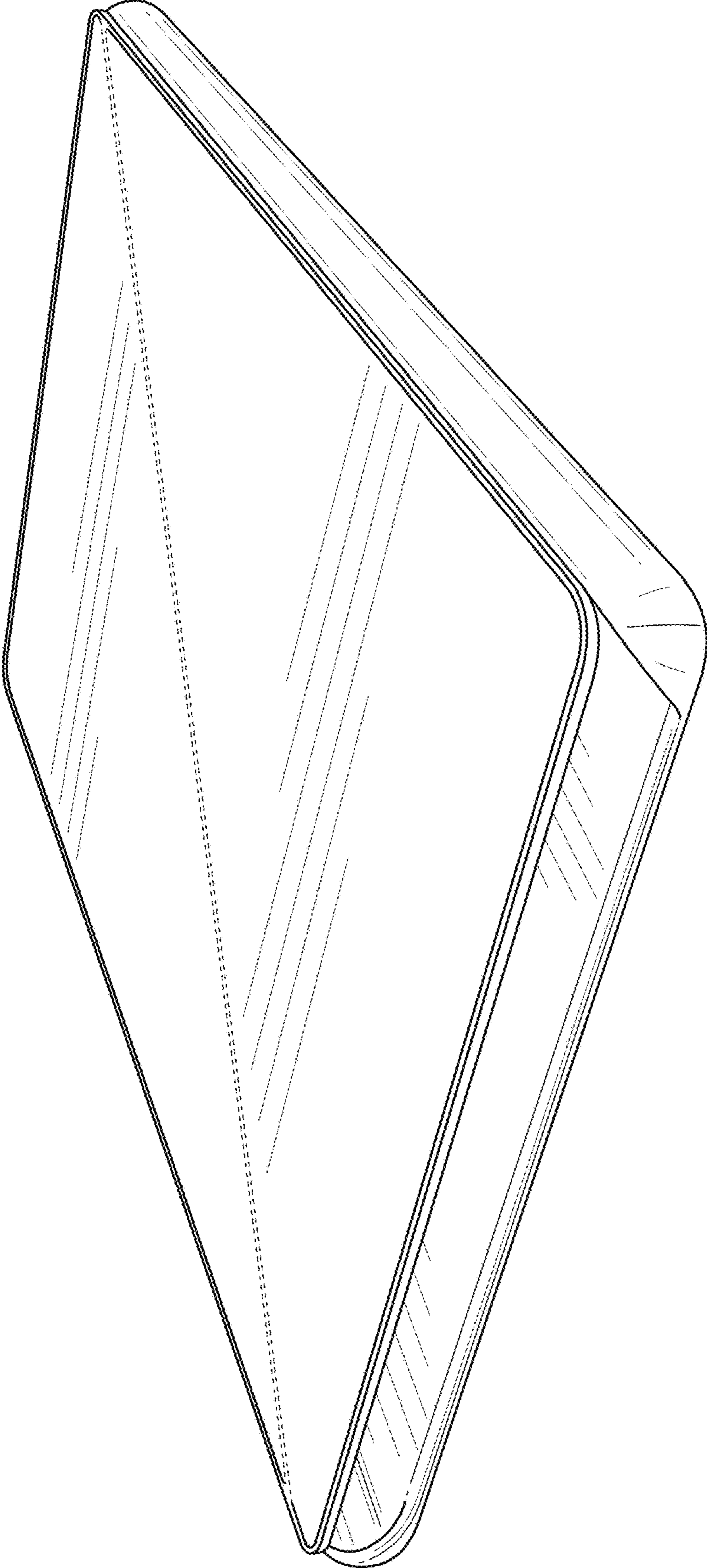


FIG. 1

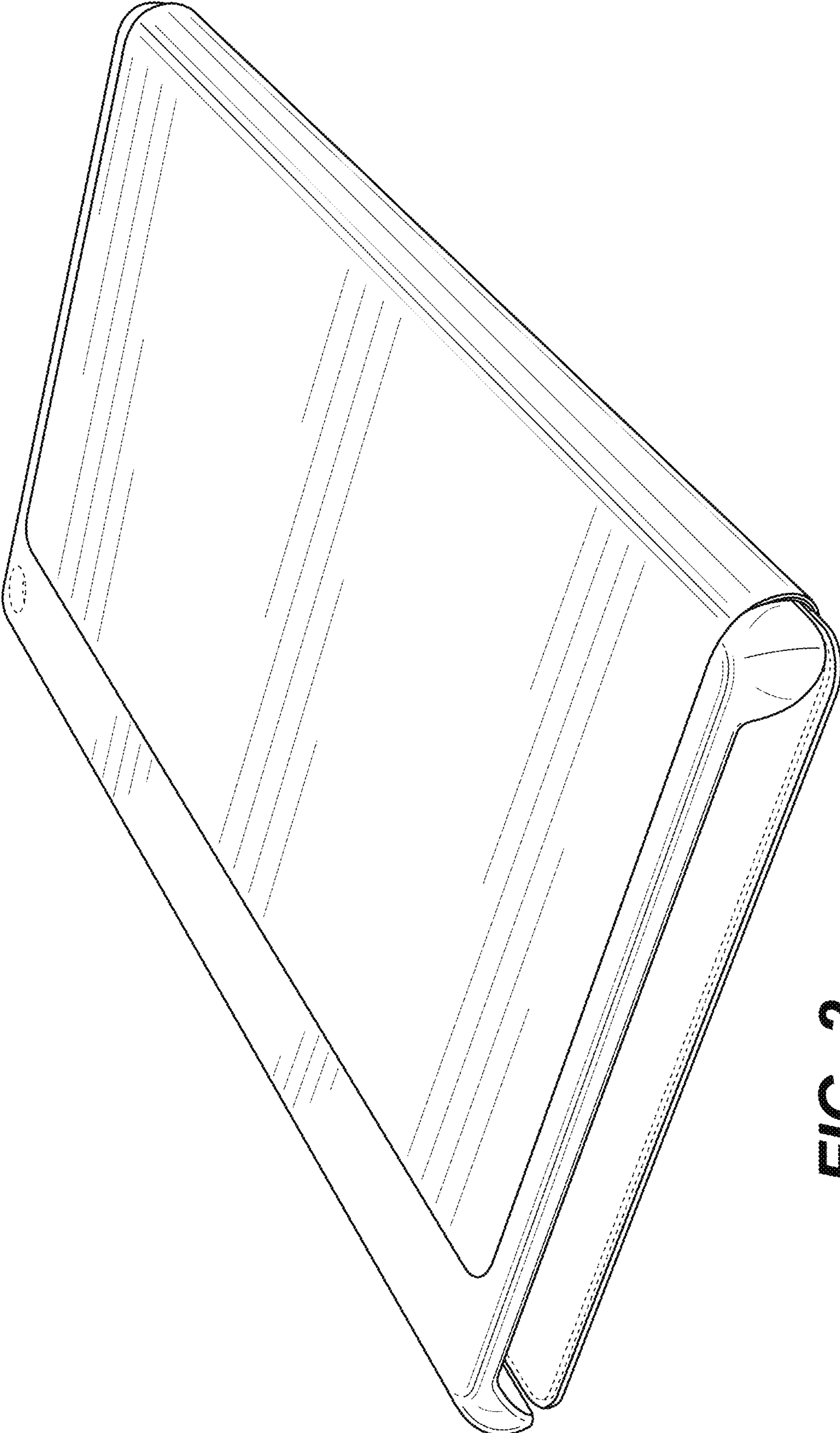


FIG. 2

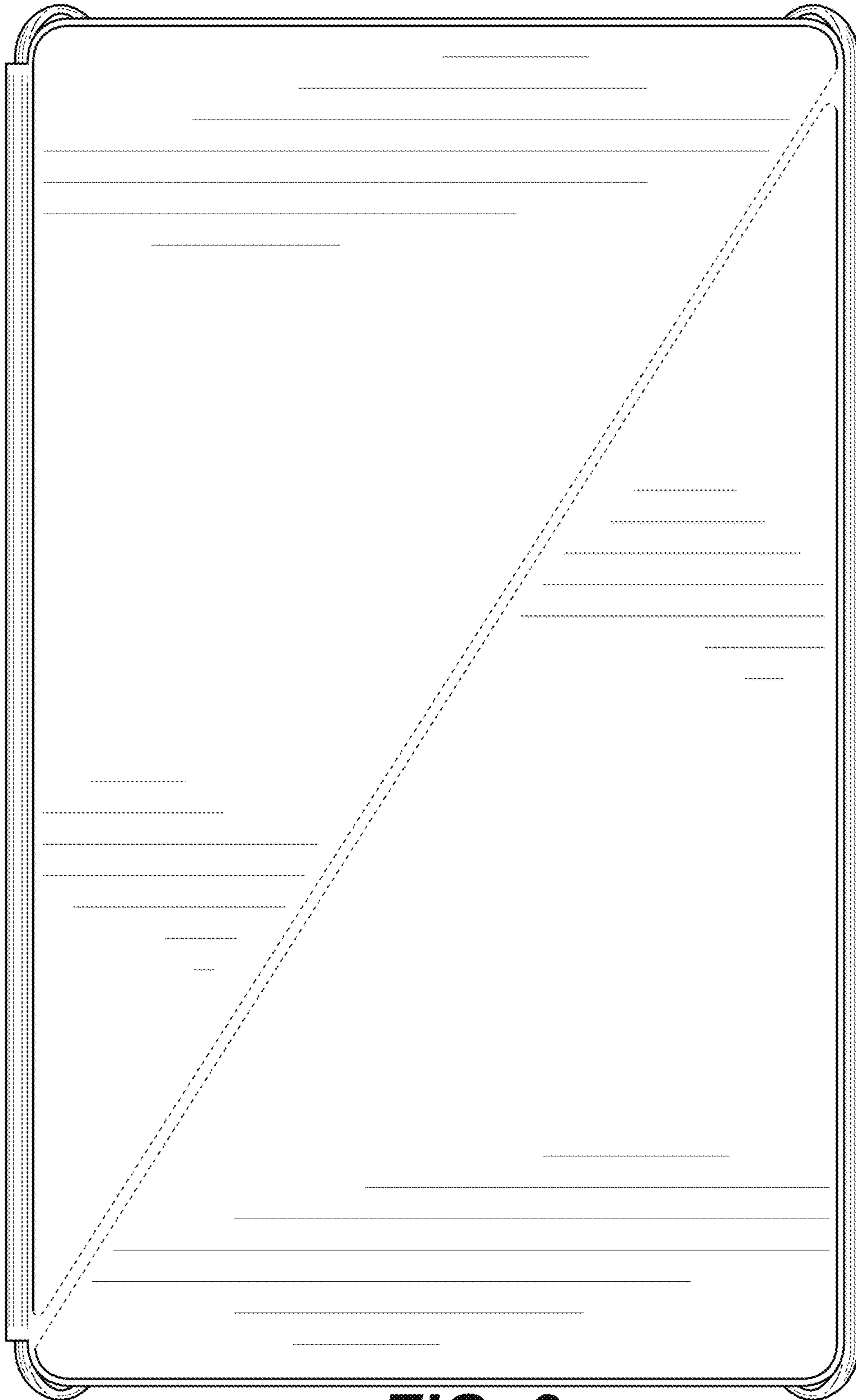


FIG. 3

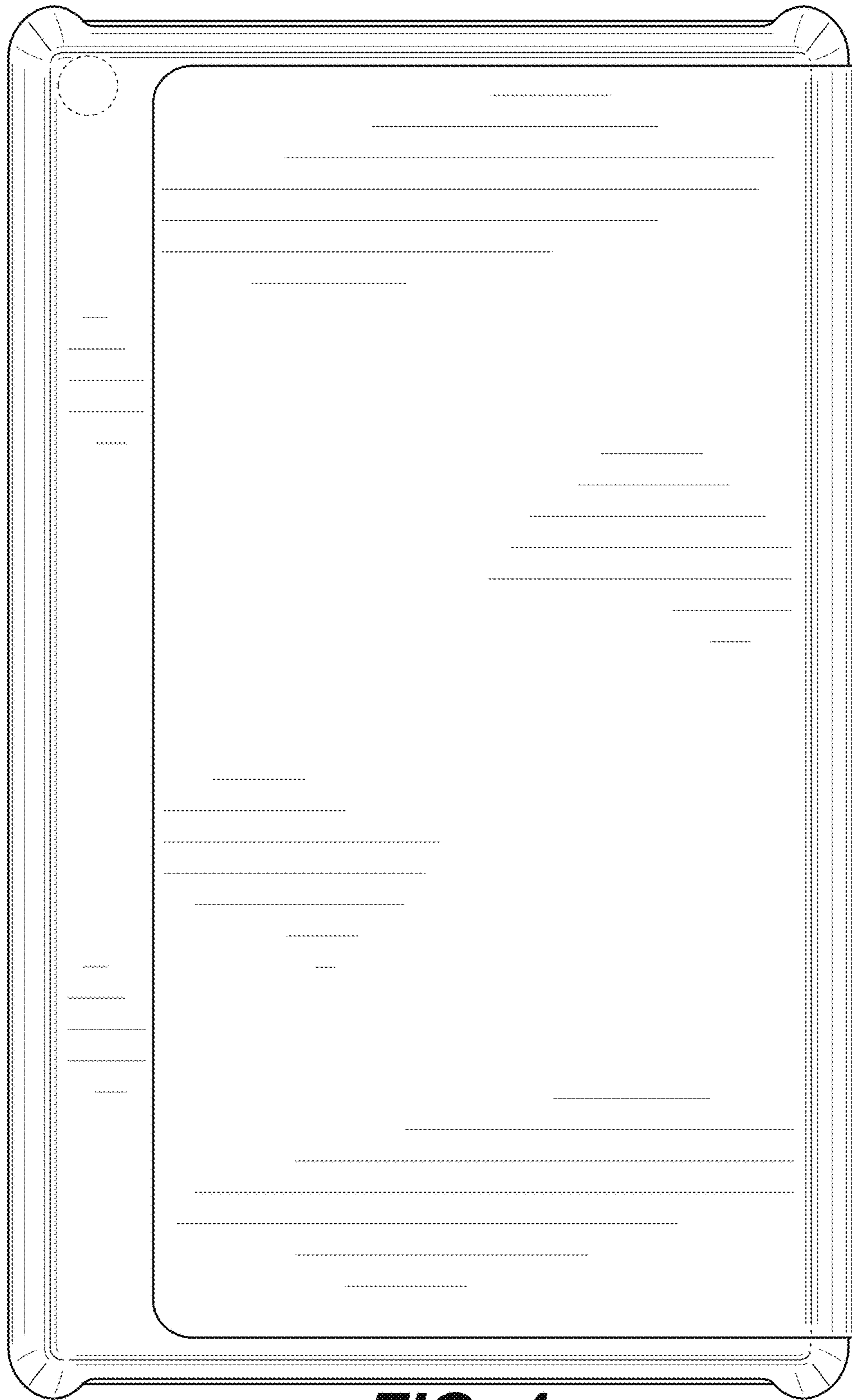


FIG. 4

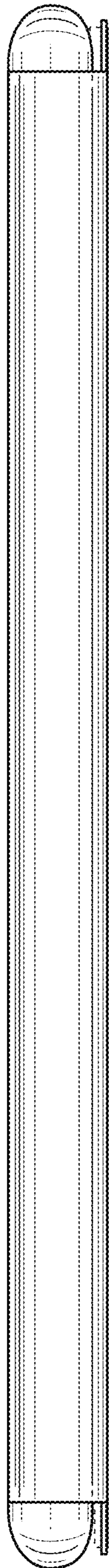


FIG. 5

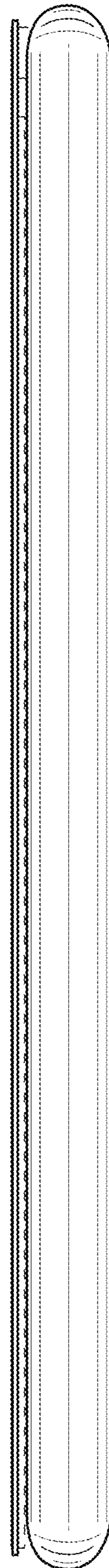


FIG. 6



FIG. 7

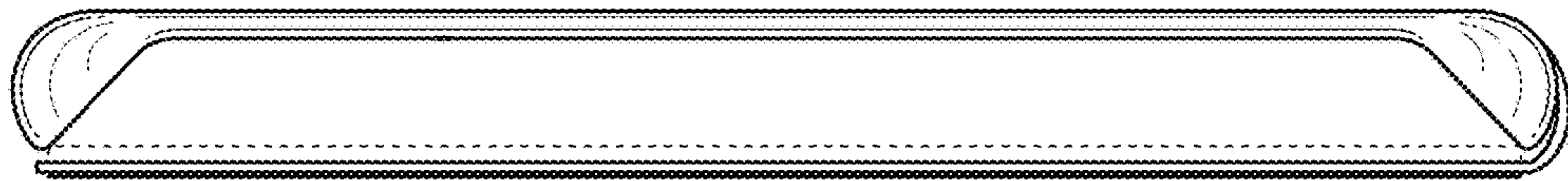


FIG. 8

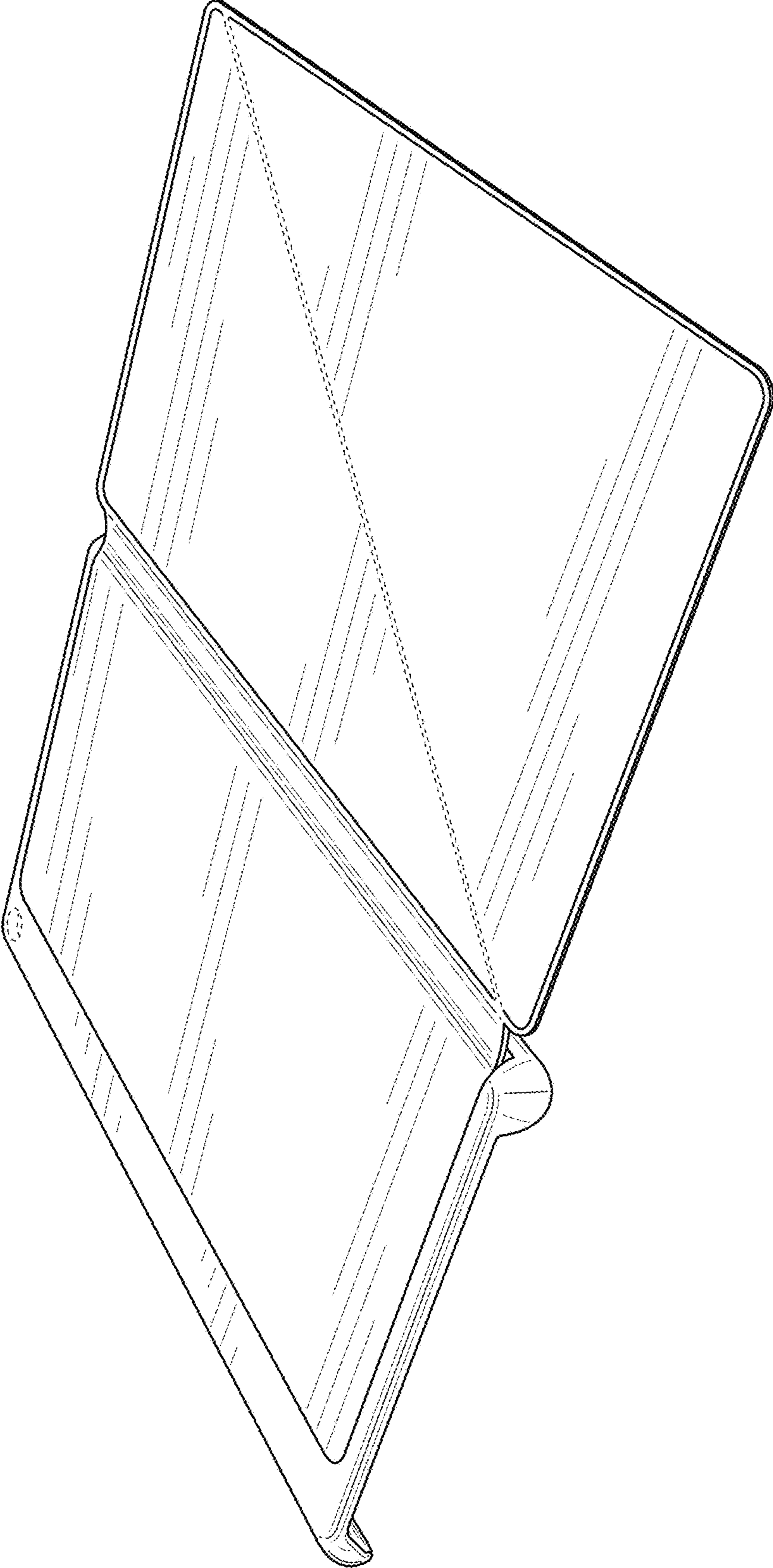


FIG. 9

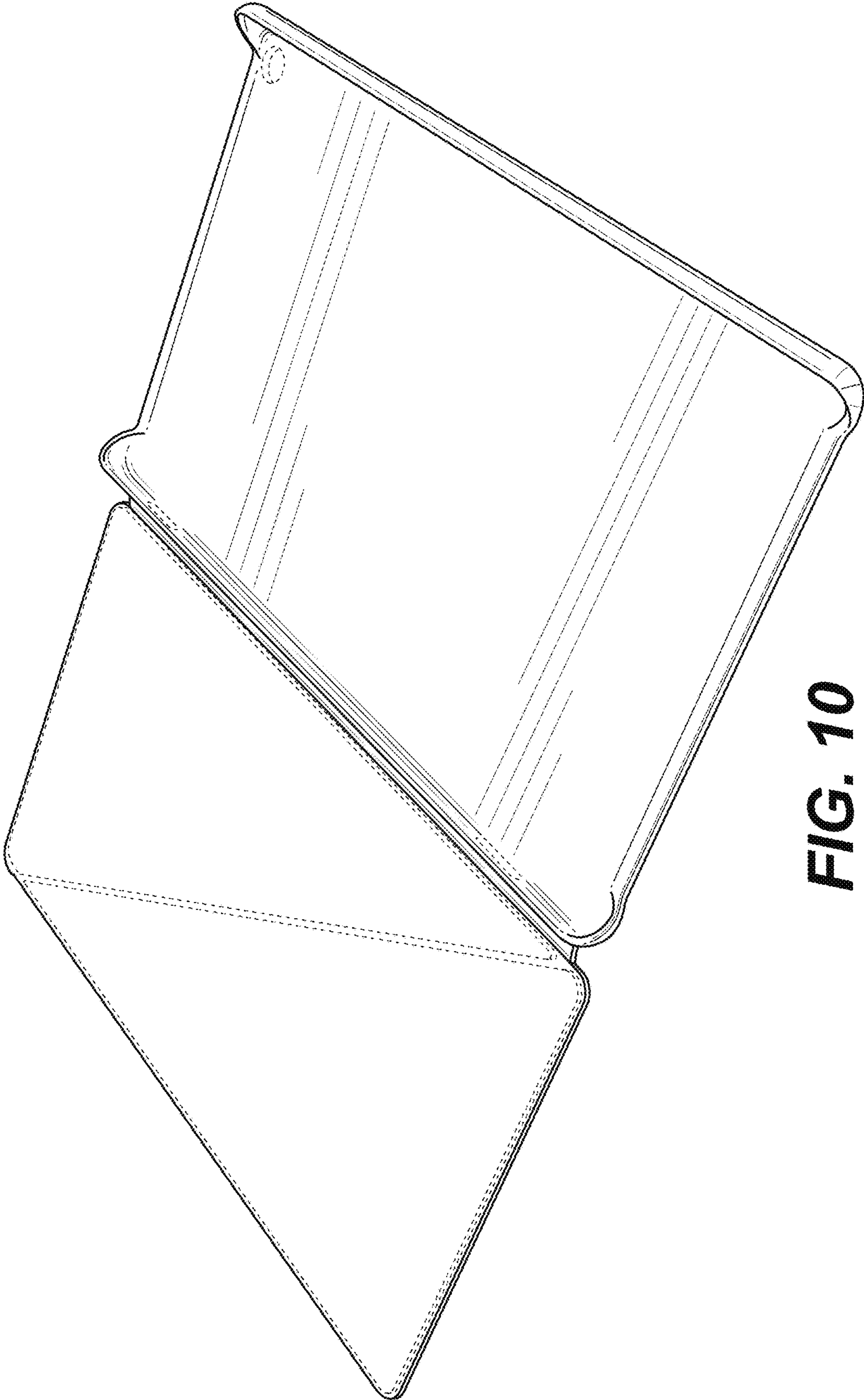


FIG. 10