



US00D828841S

(12) **United States Design Patent** (10) **Patent No.:** **US D828,841 S**
Zhang (45) **Date of Patent:** **** Sep. 18, 2018**

(54) **MULTI-FUNCTION HUB**
(71) Applicant: **C-SMARTLINK INFORMATION TECHNOLOGY CO., LIMITED,** Shenzhen (CN)
(72) Inventor: **Wenfeng Zhang,** Shenzhen (CN)
(73) Assignee: **C-SMARTLINK INFORMATION TECHNOLOGY CO., LIMITED,** Shenzhen (CN)

D707,180 S * 6/2014 Yi D13/147
D731,489 S * 6/2015 Langhammer D14/433
D756,817 S * 5/2016 Fries D10/78
D784,340 S * 4/2017 Laffon de Mazieres D14/433
D788,112 S * 5/2017 Liao D14/433
D789,935 S * 6/2017 Zheng D14/433
D794,028 S * 8/2017 Lin D14/433
D798,301 S * 9/2017 Kujawski D14/433
D800,730 S * 10/2017 Liao D14/433
D813,875 S * 3/2018 Liao D14/434
D814,471 S * 4/2018 Kim D14/433
D815,639 S * 4/2018 Lau D14/433
D820,264 S * 6/2018 Lai D14/433

(**) Term: **15 Years**

* cited by examiner

(21) Appl. No.: **29/628,839**

Primary Examiner — Austin Murphy

(22) Filed: **Dec. 7, 2017**

(30) **Foreign Application Priority Data**

Oct. 20, 2017 (CN) 2017 3 05016626

(51) **LOC (11) Cl.** **14-02**

(52) **U.S. Cl.**
USPC **D14/433**

(58) **Field of Classification Search**
USPC D18/4.4, 4.5, 4.6, 12, 12.1, 12.3;
D14/383, 384, 385, 386, 378
CPC G06K 19/07749; G06K 19/0723; G06K
19/041; G06K 19/07758; G06K 19/0775;
G06K 19/07783; G06K 19/07794; G06K
19/06046; G06K 19/07722; G06K
19/07773; G06K 19/07779; G06K
19/07784; G06K 19/07786; G06K
19/0709

See application file for complete search history.

(56) **References Cited**

U.S. PATENT DOCUMENTS

D600,652 S * 9/2009 Hong D13/154
D706,752 S * 6/2014 Myung D14/240

(57) **CLAIM**

The ornamental design for a multi-function hub, as shown and described.

DESCRIPTION

FIG. 1 is a perspective view of the multi-function hub showing my new design;

FIG. 2 is a front elevational view thereof;

FIG. 3 is a rear elevational view thereof;

FIG. 4 is a left side elevational view thereof;

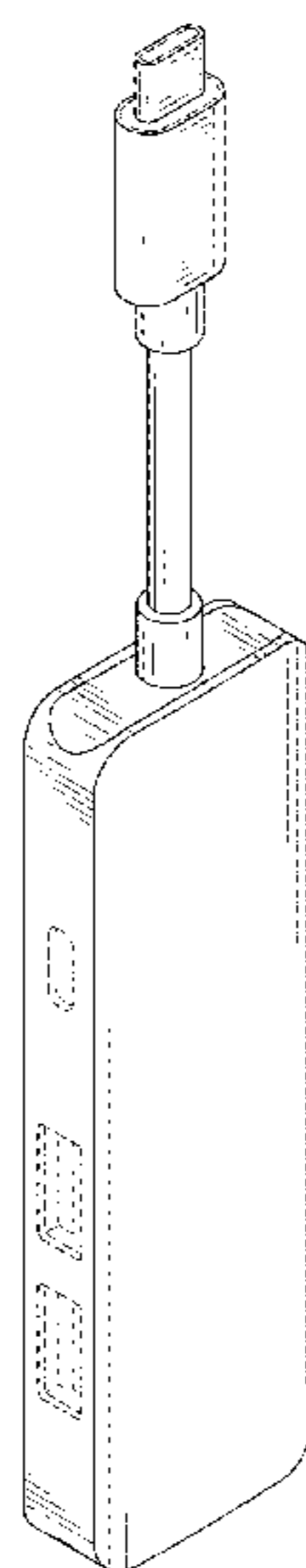
FIG. 5 is a right side elevational view thereof;

FIG. 6 is a top plan view thereof; and,

FIG. 7 is a bottom plan view thereof.

The broken lines are for the purposes of illustrating portions of the multi-function hub and form no part of the claimed design.

1 Claim, 7 Drawing Sheets



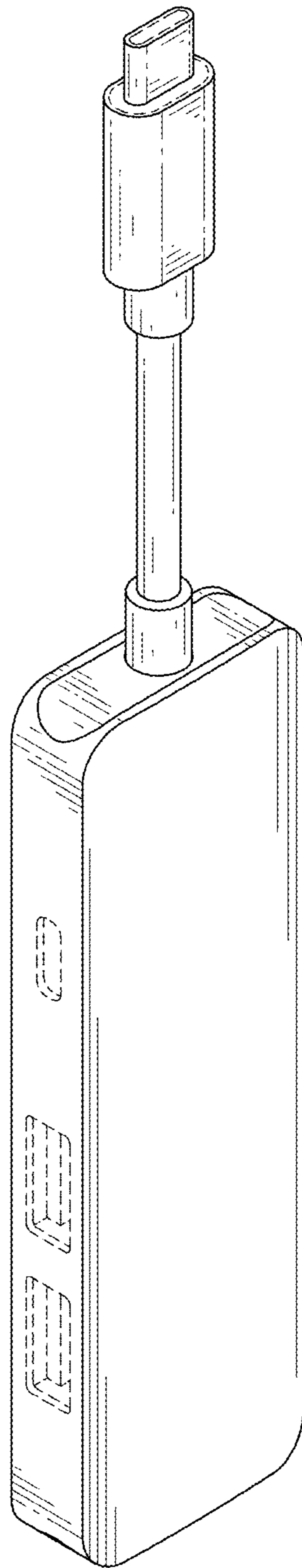


FIG. 1

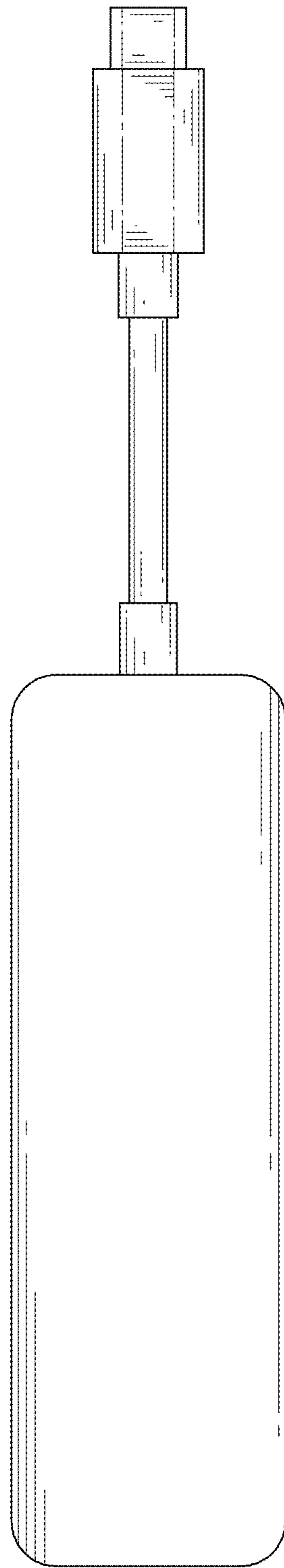


FIG. 2

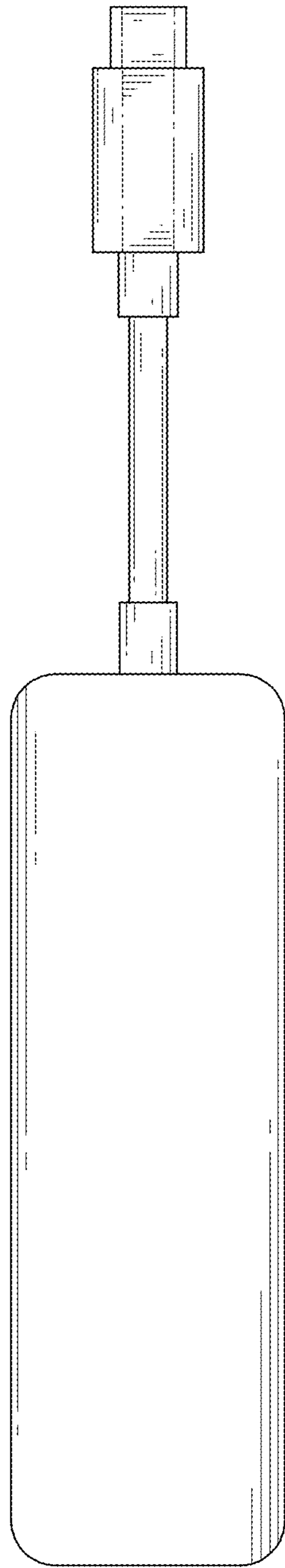


FIG. 3

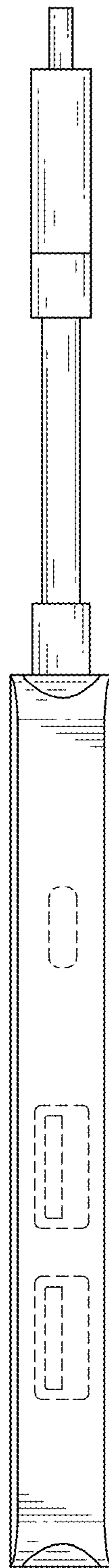


FIG. 4

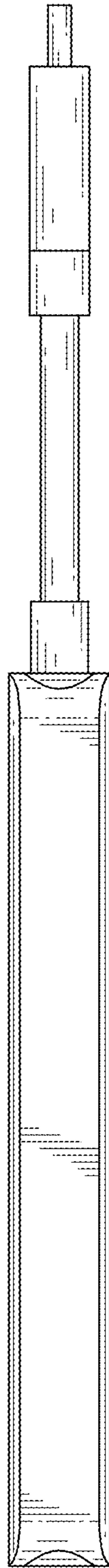


FIG. 5

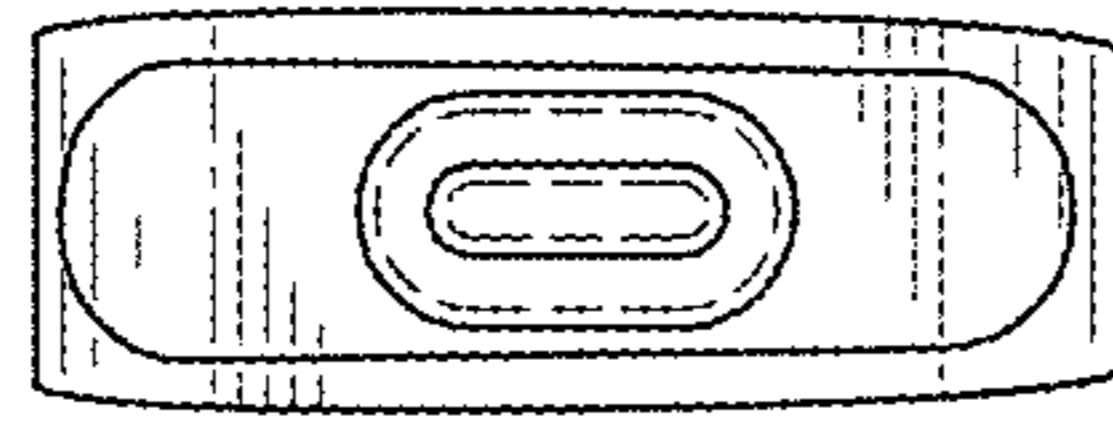


FIG. 6

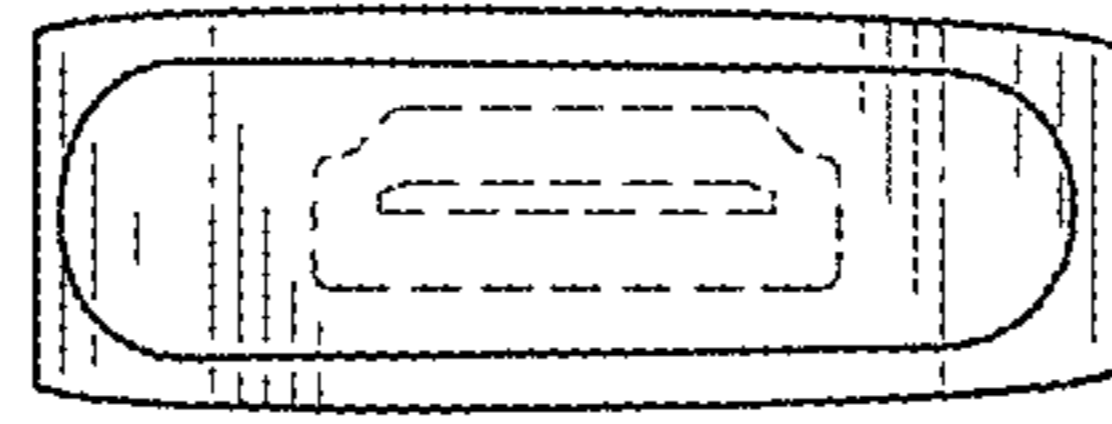


FIG. 7