



US00D828839S

(12) **United States Design Patent**  
**Zhang**

(10) **Patent No.:** **US D828,839 S**

(45) **Date of Patent:** **\*\* Sep. 18, 2018**

(54) **MULTI-FUNCTION HUB**

(71) Applicant: **C-SMARTLINK INFORMATION TECHNOLOGY CO., LIMITED**,  
Shenzhen (CN)

(72) Inventor: **Wenfeng Zhang**, Shenzhen (CN)

(73) Assignee: **C-SMARTLINK INFORMATION TECHNOLOGY CO., LIMITED**,  
Shenzhen (CN)

(\*\*) Term: **15 Years**

(21) Appl. No.: **29/615,731**

(22) Filed: **Aug. 30, 2017**

(30) **Foreign Application Priority Data**

Jun. 19, 2017 (CN) ..... 2017 3 0253208

(51) **LOC (11) Cl.** ..... **14-02**

(52) **U.S. Cl.**  
USPC ..... **D14/433**

(58) **Field of Classification Search**

USPC ..... D18/4.4, 4.5, 4.6, 12, 12.1, 12.3;  
D14/383, 384, 385, 386, 378

CPC ..... G06K 19/07749; G06K 19/0723; G06K  
19/041; G06K 19/07758; G06K 19/0775;  
G06K 19/07783; G06K 19/07794; G06K  
19/06046; G06K 19/07722; G06K  
19/07773; G06K 19/07779; G06K  
19/07784; G06K 19/07786; G06K  
19/0709

See application file for complete search history.

(56) **References Cited**

**U.S. PATENT DOCUMENTS**

D600,652 S \* 9/2009 Hong ..... D13/154  
D706,752 S \* 6/2014 Myung ..... D14/240

D707,180 S \* 6/2014 Yi ..... D13/147  
D731,489 S \* 6/2015 Langhammer ..... D14/433  
D756,817 S \* 5/2016 Fries ..... D10/78  
D784,340 S \* 4/2017 Laffon de Mazieres .... D14/433  
D788,112 S \* 5/2017 Liao ..... D14/433  
D789,935 S \* 6/2017 Zheng ..... D14/433  
D794,028 S \* 8/2017 Lin ..... D14/433  
D798,301 S \* 9/2017 Kujawski ..... D14/433  
D800,730 S \* 10/2017 Liao ..... D14/433  
D813,875 S \* 3/2018 Liao ..... D14/434  
D814,471 S \* 4/2018 Kim ..... D14/433  
D815,639 S \* 4/2018 Lau ..... D14/433  
D820,264 S \* 6/2018 Lai ..... D14/433

\* cited by examiner

*Primary Examiner* — Austin Murphy

(57) **CLAIM**

The ornamental design for a multi-function hub, as shown and described.

**DESCRIPTION**

FIG. 1 is a perspective view of the multi-function hub showing my new design;

FIG. 2 is similar to FIG. 1, viewed from another aspect;

FIG. 3 is a front elevational view thereof;

FIG. 4 is a rear elevational view thereof;

FIG. 5 is a left side elevational view thereof;

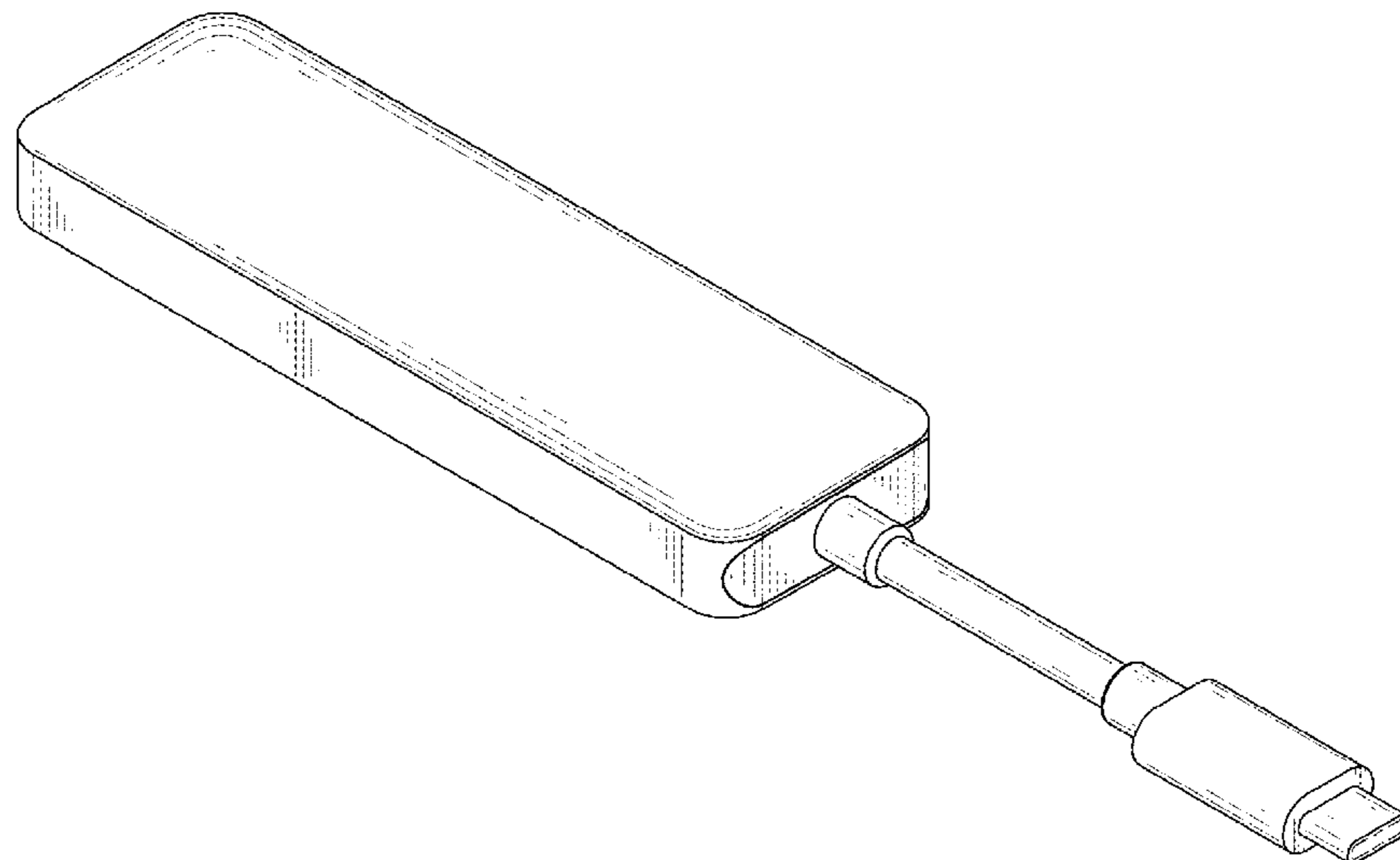
FIG. 6 is a right side elevational view thereof;

FIG. 7 is a top plan view thereof; and,

FIG. 8 is a bottom plan view thereof.

The broken lines are for the purposes of illustrating portions of the multi-function hub and form no part of the claimed design.

**1 Claim, 8 Drawing Sheets**



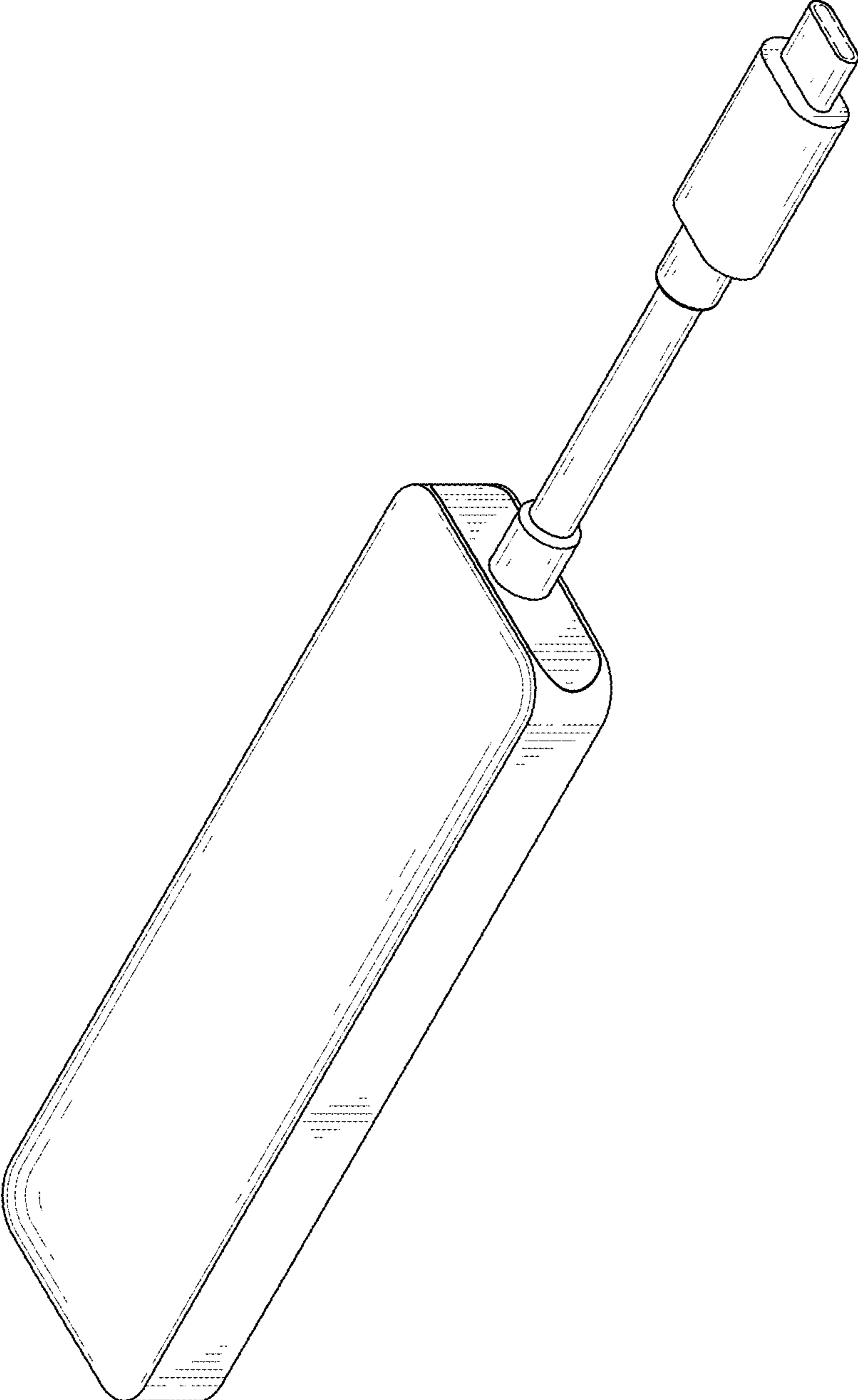


FIG. 1

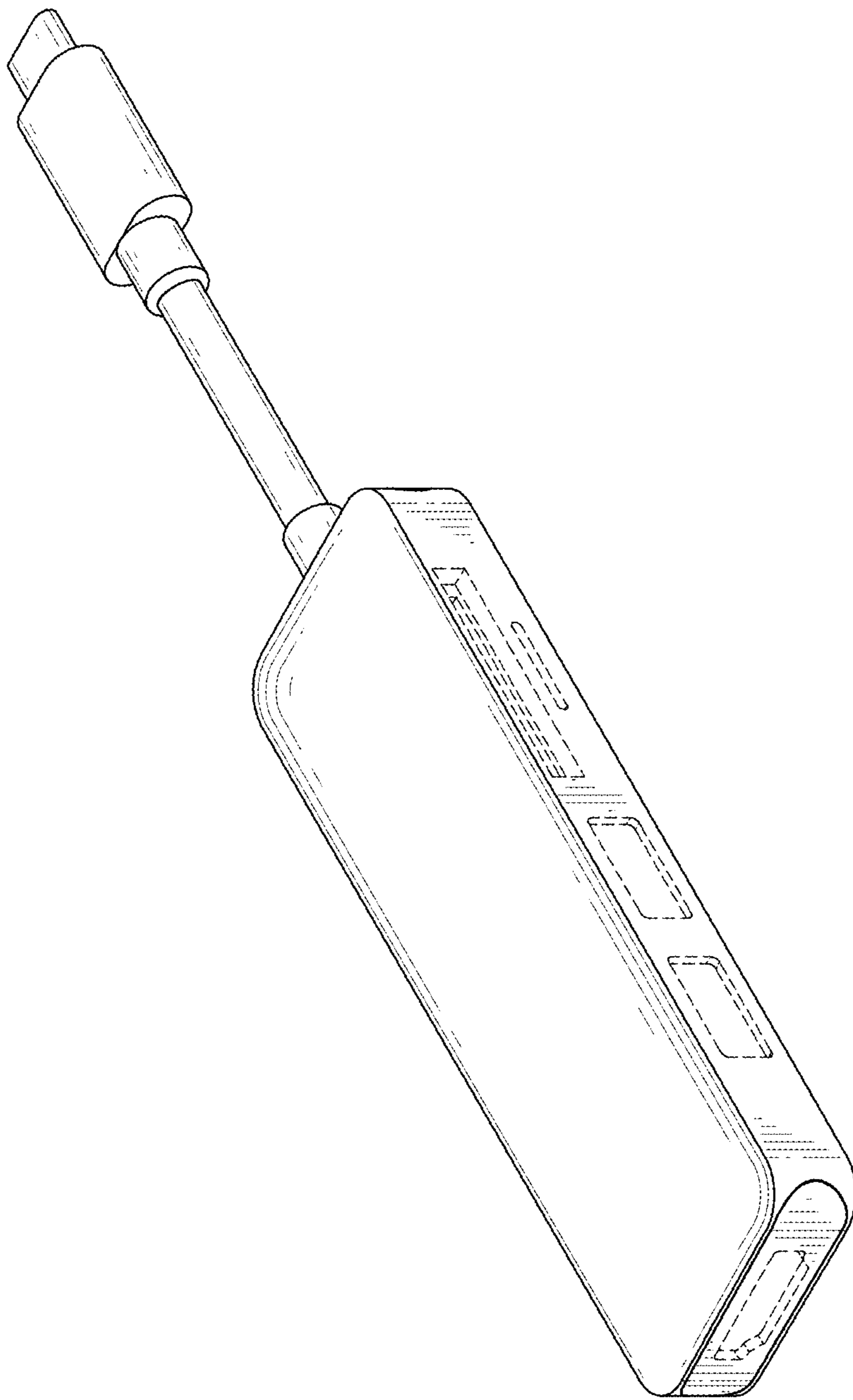


FIG. 2

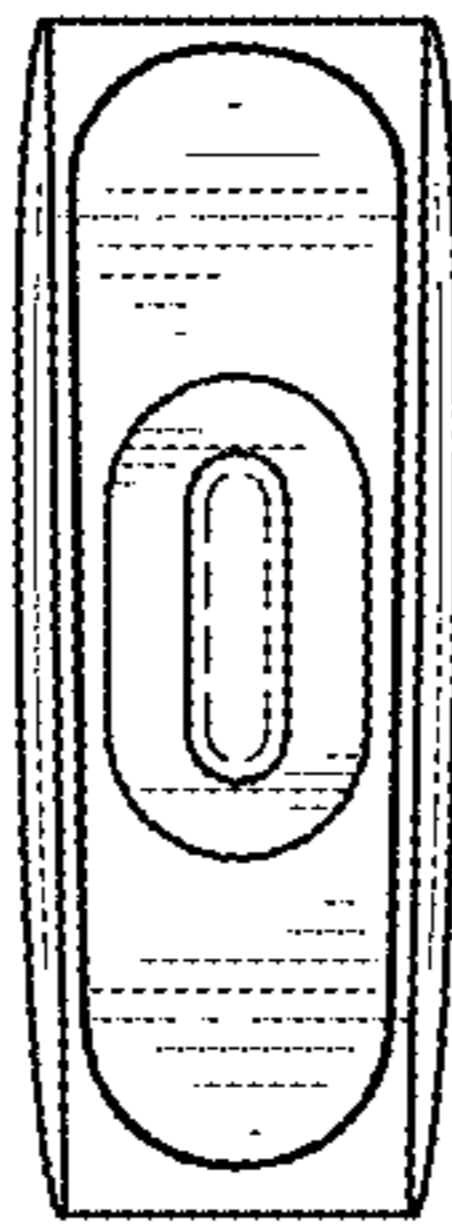


FIG. 3

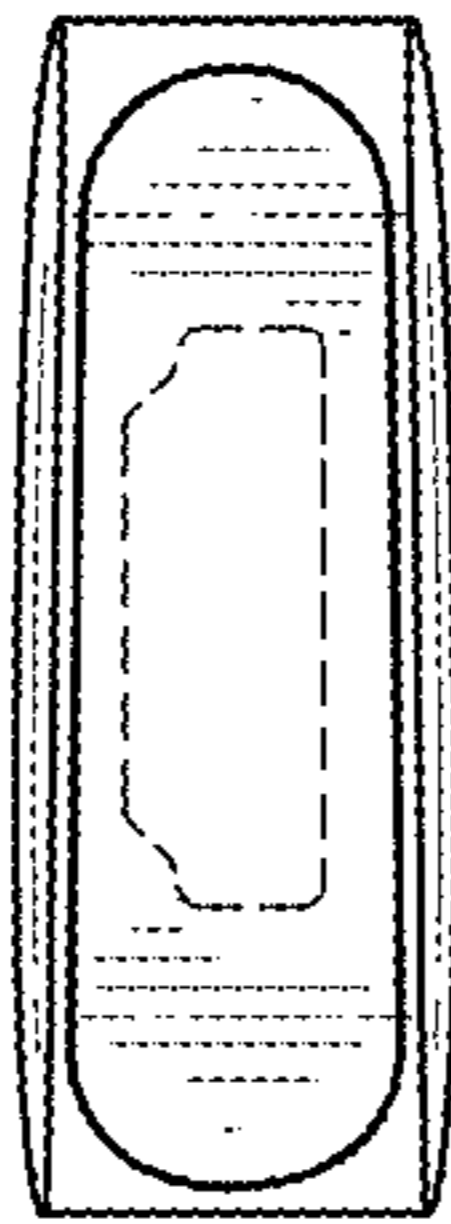


FIG. 4

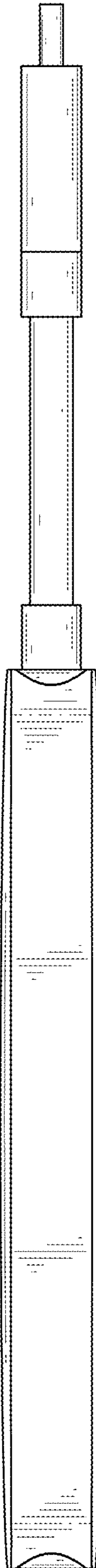


FIG. 5

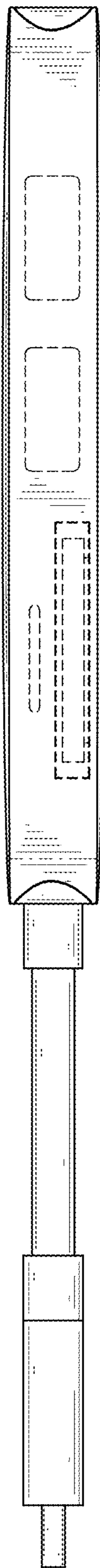


FIG. 6

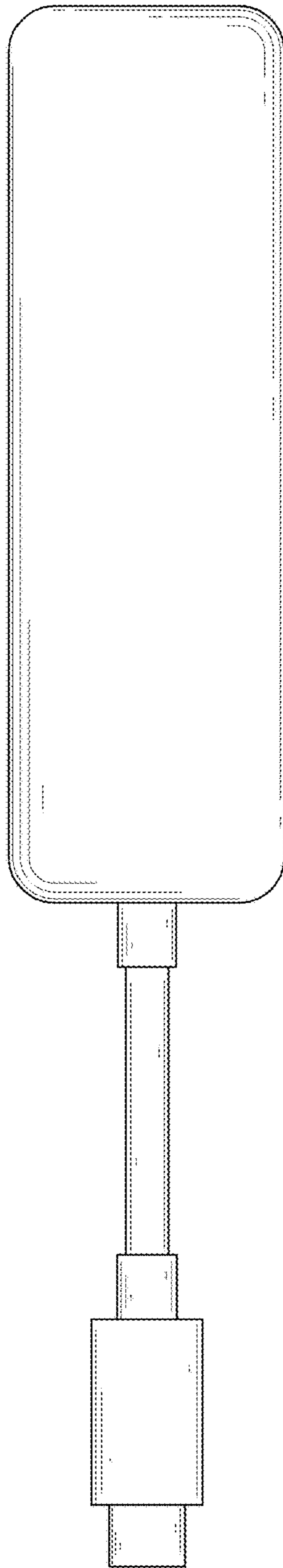


FIG. 7



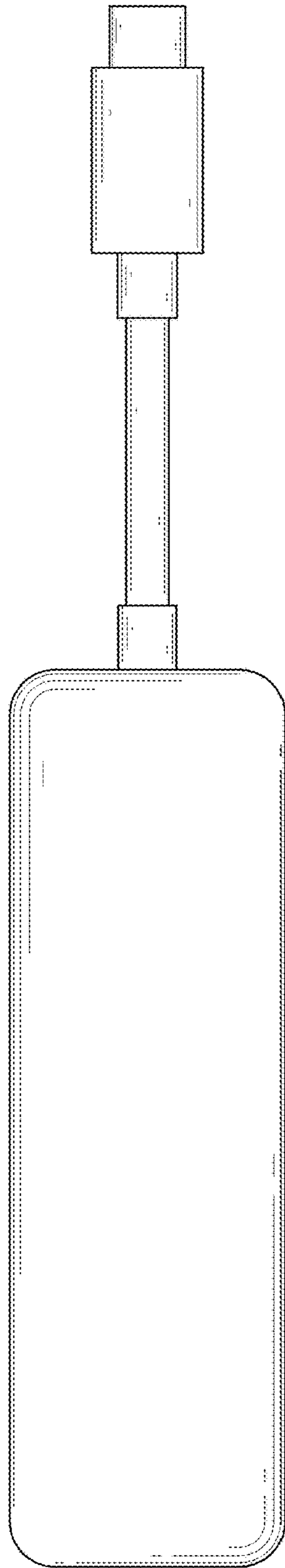


FIG. 8