



US00D828837S

(12) **United States Design Patent** (10) **Patent No.:** **US D828,837 S**
Kim et al. (45) **Date of Patent:** **** Sep. 18, 2018**

(54) **MONITOR DATA PROCESSING**

(56) **References Cited**

(71) Applicant: **LG ELECTRONICS INC.**, Seoul (KR)

U.S. PATENT DOCUMENTS

(72) Inventors: **Sungjoo Kim**, Seoul (KR); **Gangho Woo**, Seoul (KR)

D774,482 S *	12/2016	Hong	D14/126
D784,984 S *	4/2017	Lim	D14/374
D785,622 S *	5/2017	Kim	D14/374
D786,868 S *	5/2017	Kim	D14/374
D791,131 S *	7/2017	Oh	D14/374
D796,465 S *	9/2017	Kim	D14/126
D816,630 S *	5/2018	Lee	D14/126
D817,290 S *	5/2018	Lee	D14/126
D818,450 S *	5/2018	Lee	D14/126
D819,614 S *	6/2018	Lee	D14/239

(73) Assignee: **LG ELECTRONICS INC.**, Seoul (KR)

(**) Term: **15 Years**

* cited by examiner

(21) Appl. No.: **35/503,803**

Primary Examiner — Michael A. Pratt

(22) Filed: **Apr. 7, 2017**

(74) *Attorney, Agent, or Firm* — Birch, Stewart, Kolasch & Birch, LLP

(80) **Hague Agreement Data**

Int. Filing Date: **Apr. 7, 2017**
Int. Reg. No.: **DM/096176**
Int. Reg. Date: **Apr. 7, 2017**
Int. Reg. Pub. Date: **Oct. 13, 2017**

(57) **CLAIM**

The ornamental design for a monitor data processing, as shown and described.

(30) **Foreign Application Priority Data**

Oct. 11, 2016 (KR) 30-2016-0048757

DESCRIPTION

(51) **LOC (11) Cl.** **14-02**

(52) **U.S. Cl.**
USPC **D14/374**

(58) **Field of Classification Search**
USPC D14/371-375, 125-129, 336, 337;
D20/10
CPC G09F 15/0025; G09F 15/0062; G09F 15/0068; G06F 1/16; G06F 1/1613; G06F 1/133308; G06F 1/1601; G06F 3/037; G06F 1/162; F16M 11/02; F16M 11/10; F16M 11/00; F16M 11/06; F16M 11/18; F16M 11/045; F16M 11/105; F16M 11/041; F16M 11/126; F16M 11/04; F16M 11/24; F16M 13/02; A47F 5/00
See application file for complete search history.

1. Monitor data processing

1.1 : Perspective

1.2 : Front

1.3 : Back

1.4 : Left

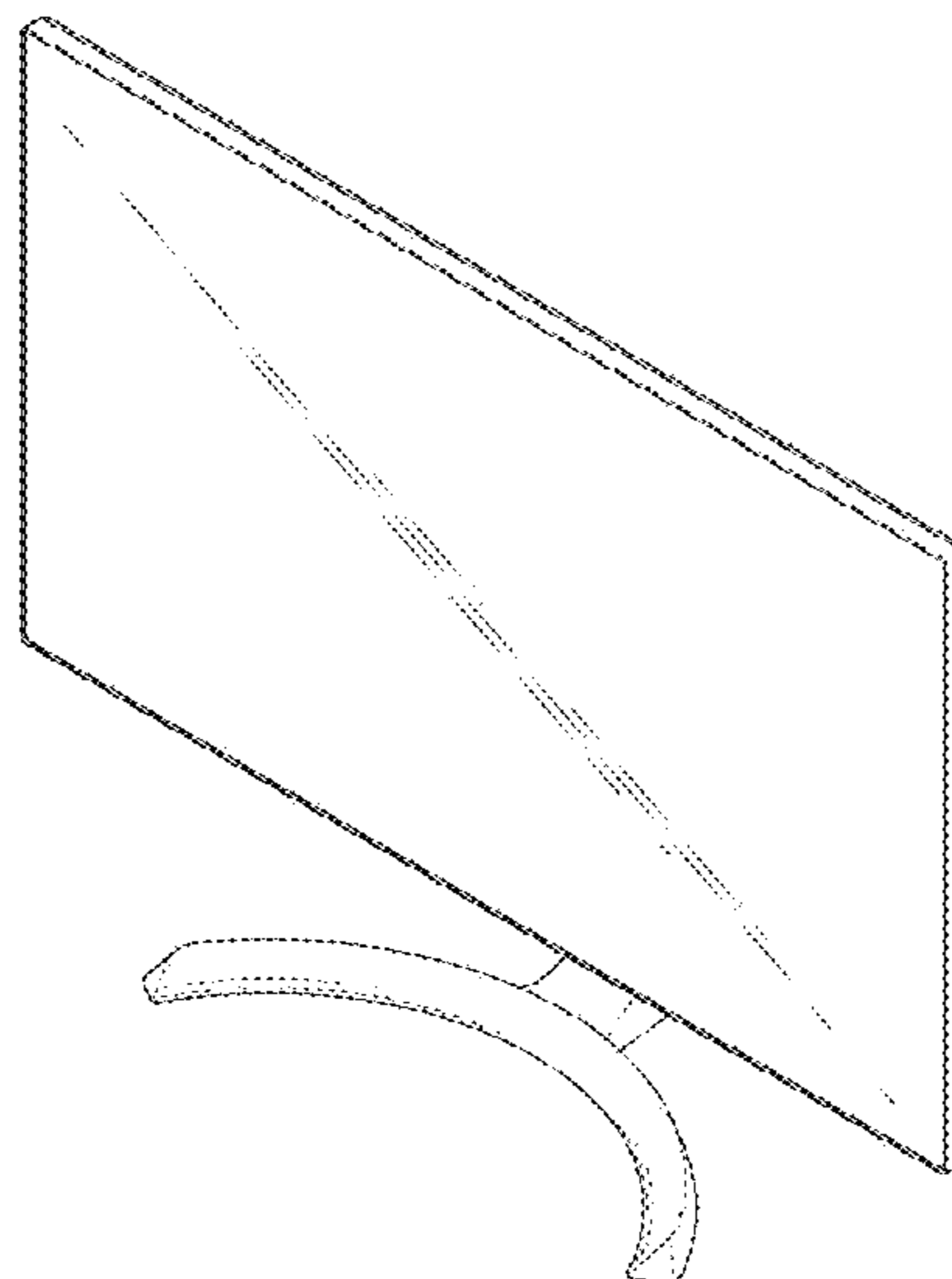
1.5 : Right

1.6 : Top

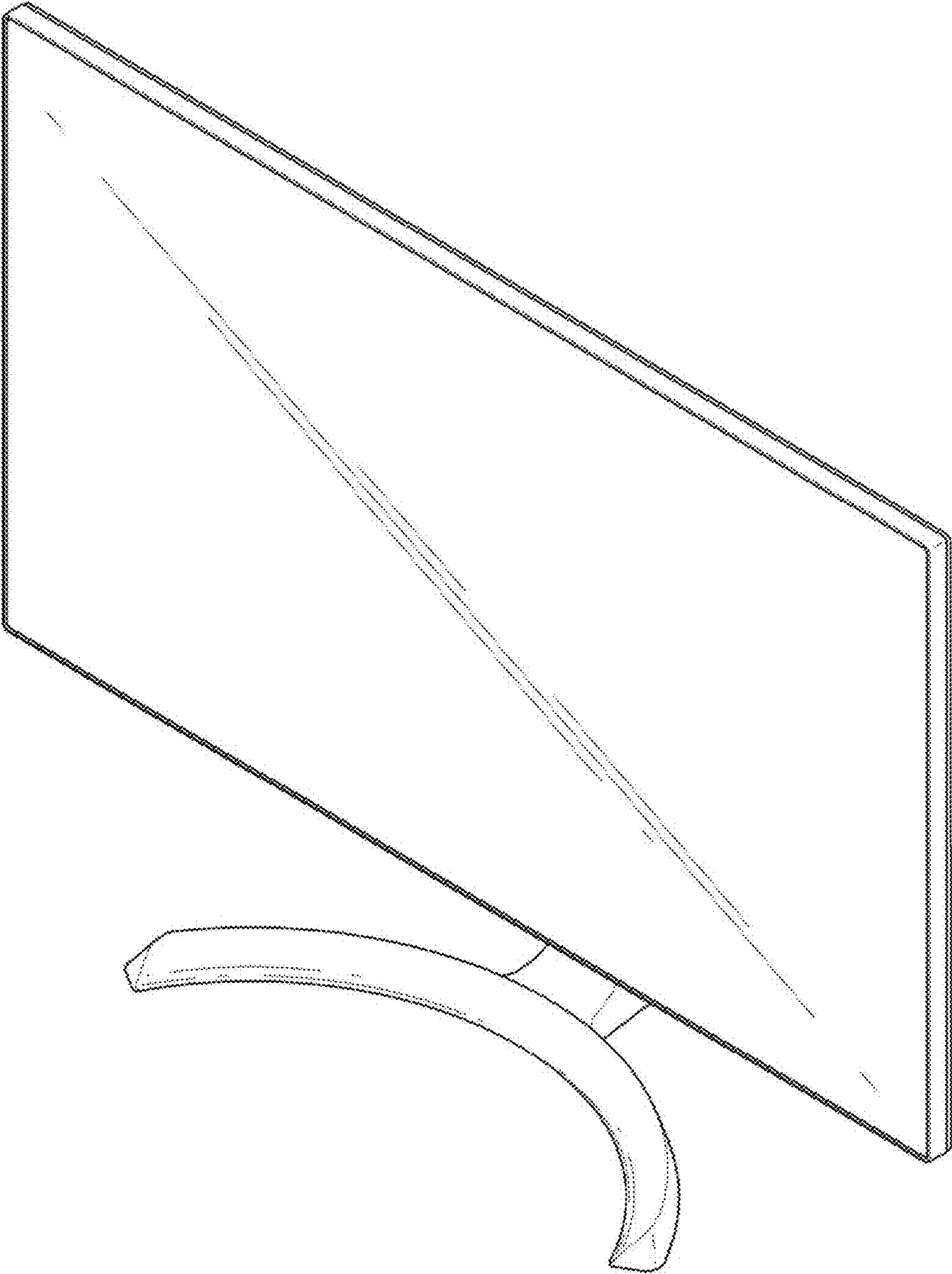
1.7 : Bottom

The gist of the present ornamental design is a combination of shape and pattern of a monitor data processing, as shown and described; the broken lines indicate unclaimed portions of the article that form no part of the claimed design.

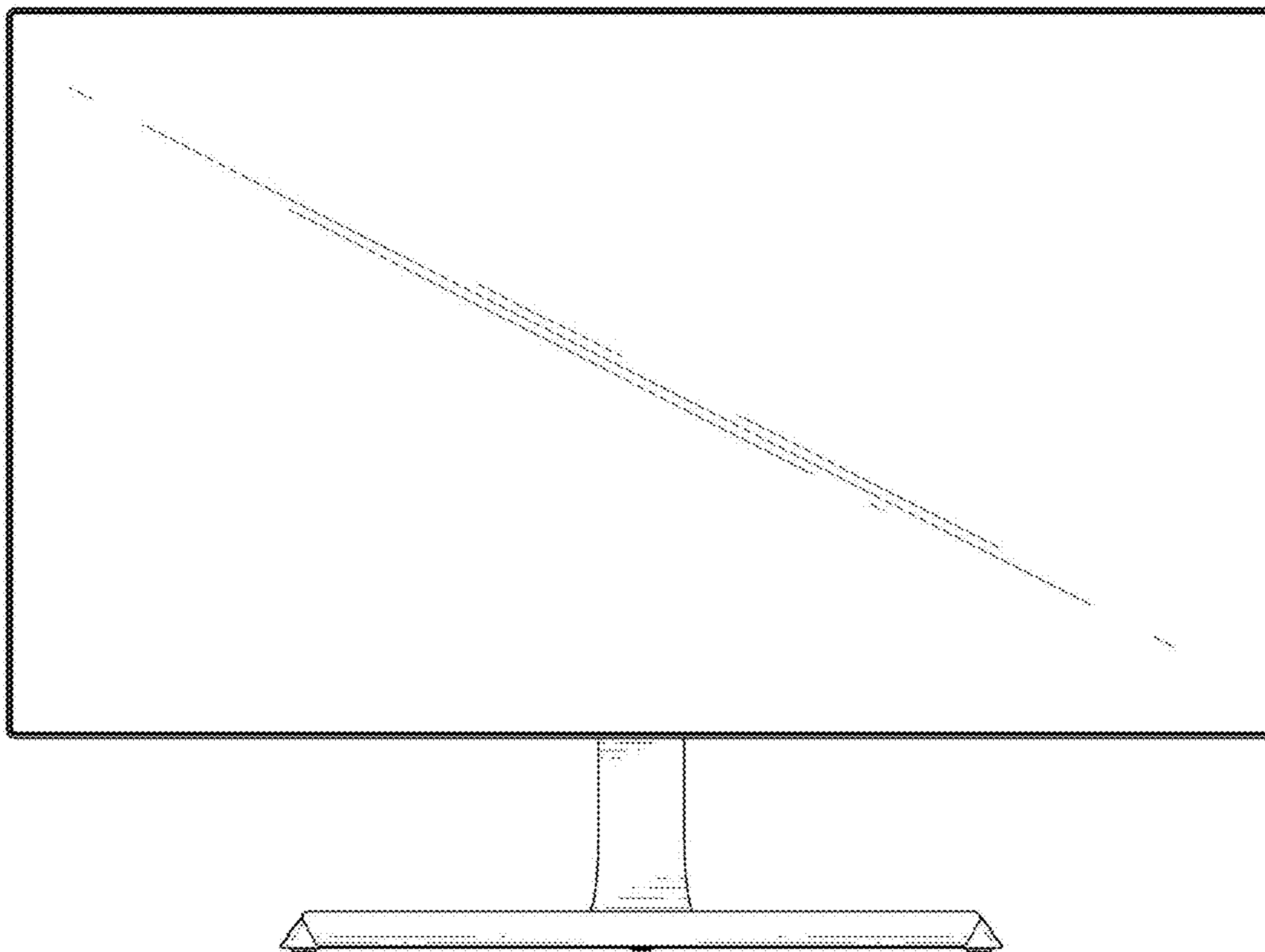
1 Claim, 7 Drawing Sheets



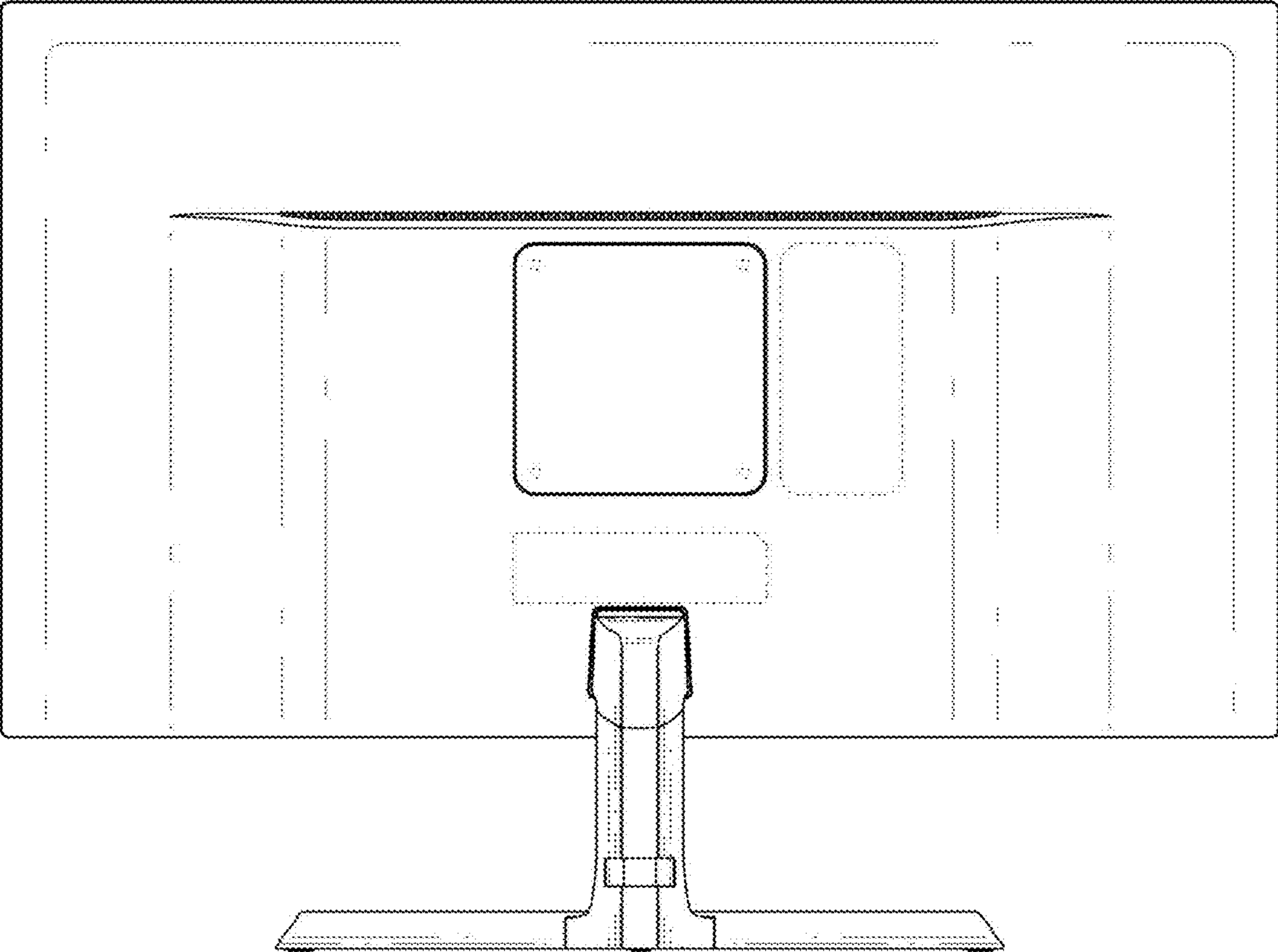
1.1



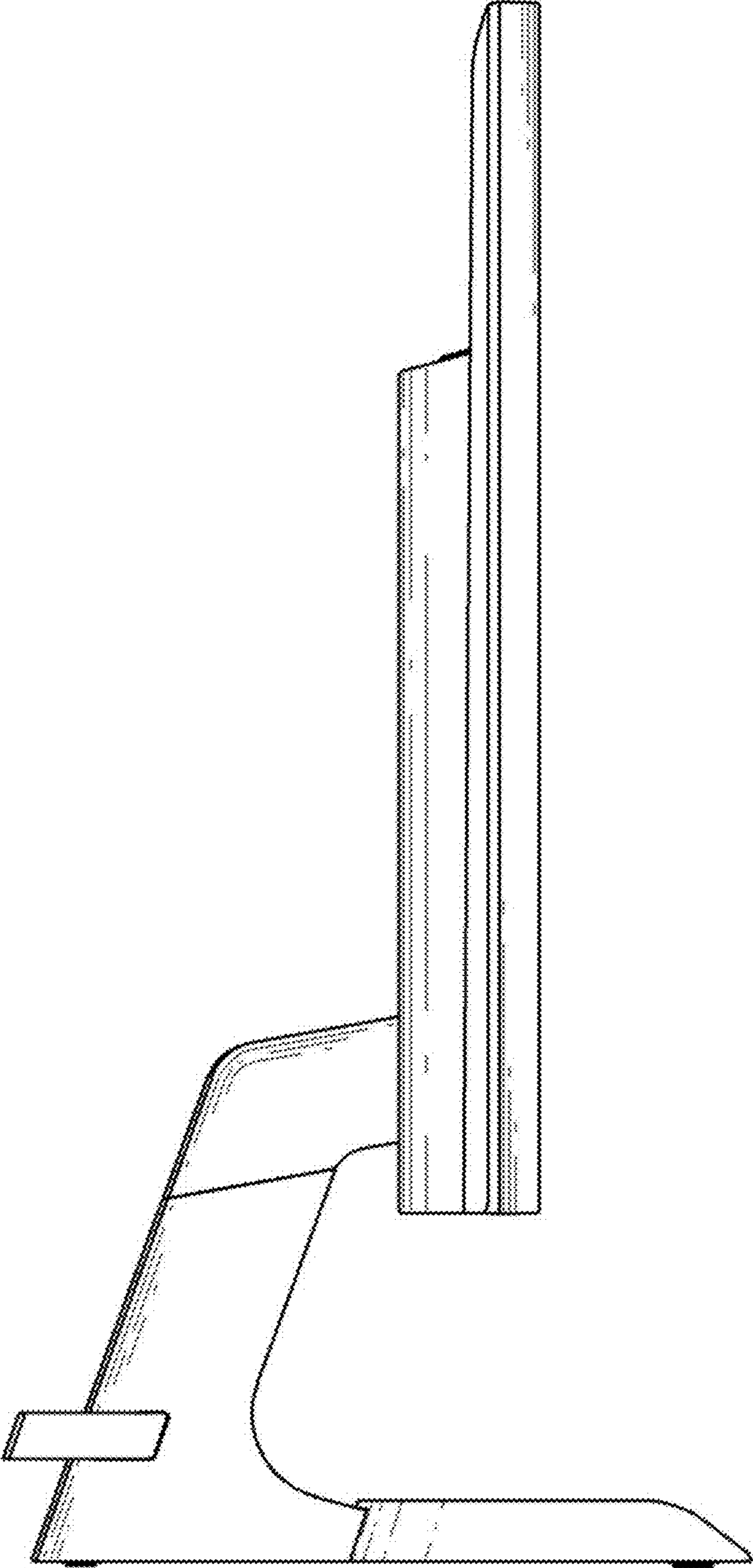
1.2



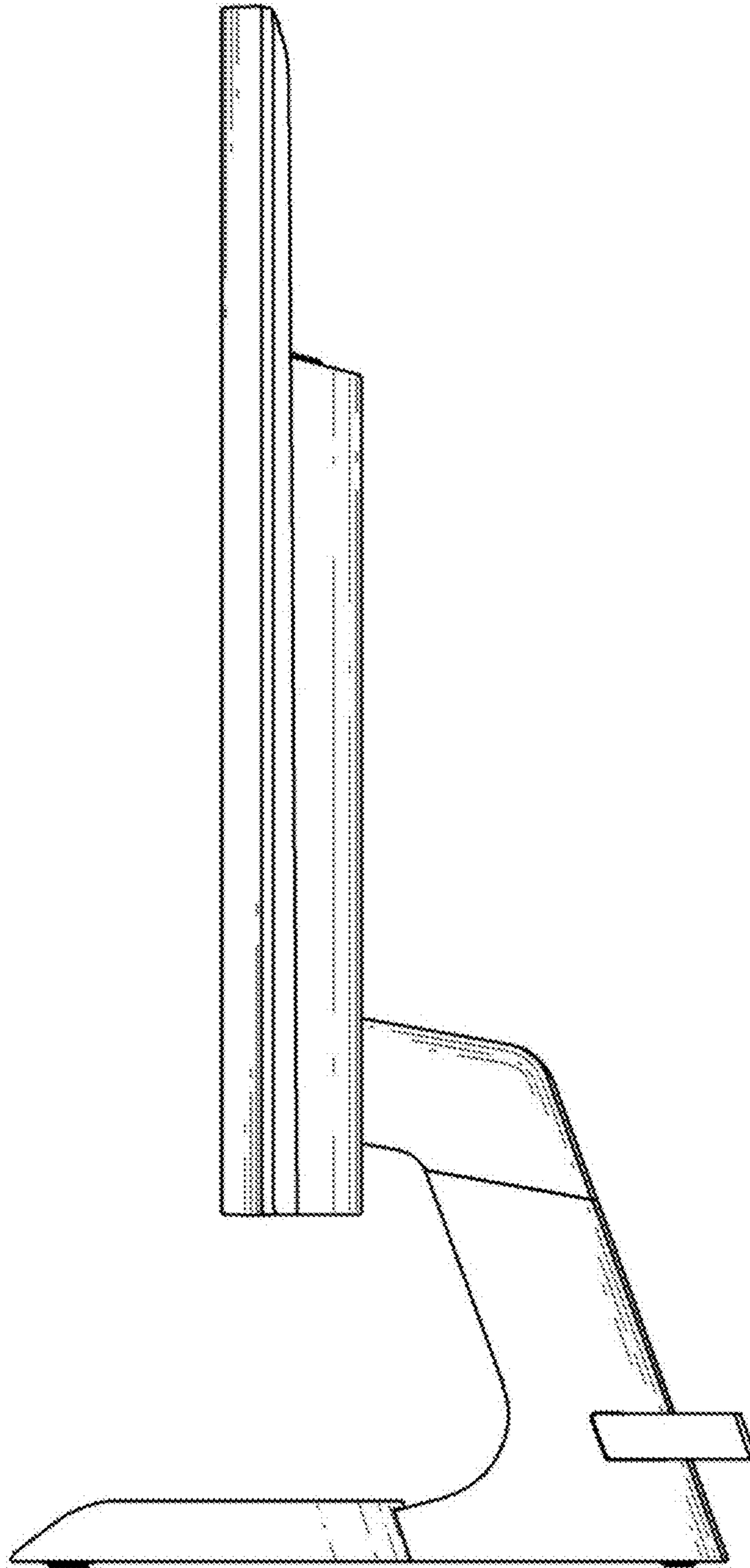
1.3



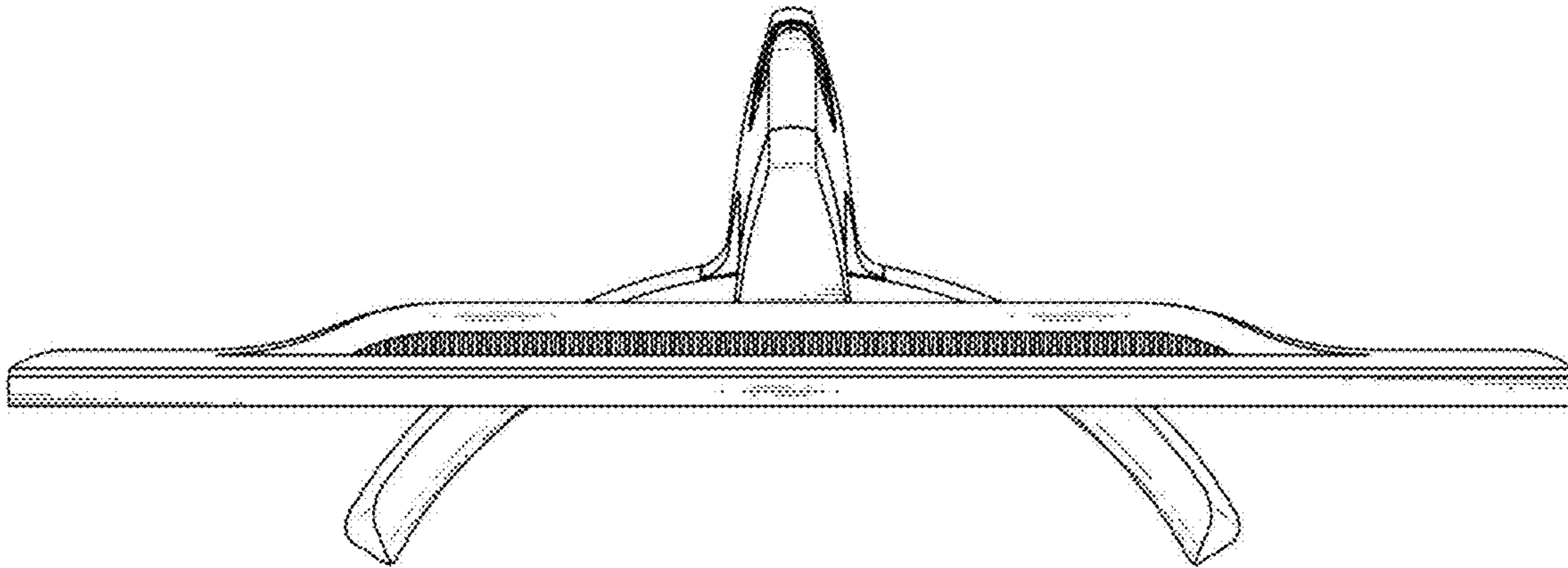
1.4



1.5



1.6



1.7

