



US00D828832S

(12) **United States Design Patent**  
**Wang**

(10) **Patent No.:** **US D828,832 S**

(45) **Date of Patent:** **\*\* Sep. 18, 2018**

(54) **WEARABLE DEVICE**

(71) Applicant: **HUAWEI TECHNOLOGIES CO., LTD.**, Shenzhen (CN)

(72) Inventor: **Xudong Wang**, Shenzhen (CN)

(73) Assignee: **Huawei Technologies Co., Ltd.** (CN)

(\*\*) Term: **15 Years**

(21) Appl. No.: **29/549,944**

(22) Filed: **Dec. 29, 2015**

(30) **Foreign Application Priority Data**

Jun. 30, 2015 (CN) ..... 2015 3 0226327

(51) **LOC (11) Cl.** ..... **14-02**

(52) **U.S. Cl.**  
USPC ..... **D14/344**

(58) **Field of Classification Search**  
USPC ..... D14/344, 138 R, 144, 358; D24/167,  
D24/169, 186-187; D11/3, 93-94;  
D10/30-39, 70, 98; 379/433.1;  
361/679.03

CPC ..... G06F 1/163; G06F 1/1628; G06F 1/1626;  
G06F 1/1635; G06F 1/08; G06F 1/10;  
G06F 1/04; G06F 1/14; G06F 1/3203;  
A41D 1/002; H04M 1/02; H04M 1/03;  
H04M 1/04; H04M 1/05; H04M 1/667;  
H04M 1/6058; Y02B 60/12; H04B 1/385;  
H04B 1/3888; H04B 1/3833; G06Q  
20/10; G06Q 20/108; G06Q 20/12; G06Q  
20/145

See application file for complete search history.

(56) **References Cited**

**U.S. PATENT DOCUMENTS**

3,427,800 A \* 2/1969 Blum ..... G04B 19/283  
368/223  
5,255,248 A \* 10/1993 Goodmon ..... G04B 19/28  
368/108

D355,613 S \* 2/1995 Takani ..... D10/30  
D381,584 S \* 7/1997 Kennedy ..... D10/30  
D382,815 S \* 8/1997 Riley ..... D10/30

(Continued)

**FOREIGN PATENT DOCUMENTS**

CN 301299806 S 8/2010  
CN 301640319 S 8/2011

(Continued)

**OTHER PUBLICATIONS**

Google's smartwatches get one critical thing wrong, posted Oct. 1, 2015, [retrieved Jun. 24, 2017]. Retrieved from Internet, <URL: <http://www.businessinsider.com/android-wear-notifications-are-bad-on-smartwatches-2015-9> >.\*

(Continued)

*Primary Examiner* — Barbara Fox

*Assistant Examiner* — Kristin E Reed

(74) *Attorney, Agent, or Firm* — Design IP

(57) **CLAIM**

The ornamental design for a wearable device, as shown and described.

**DESCRIPTION**

FIG. 1 is a perspective view of a wearable device showing my new design;

FIG. 2 is a front view thereof;

FIG. 3 is a rear view thereof;

FIG. 4 is a left side view thereof;

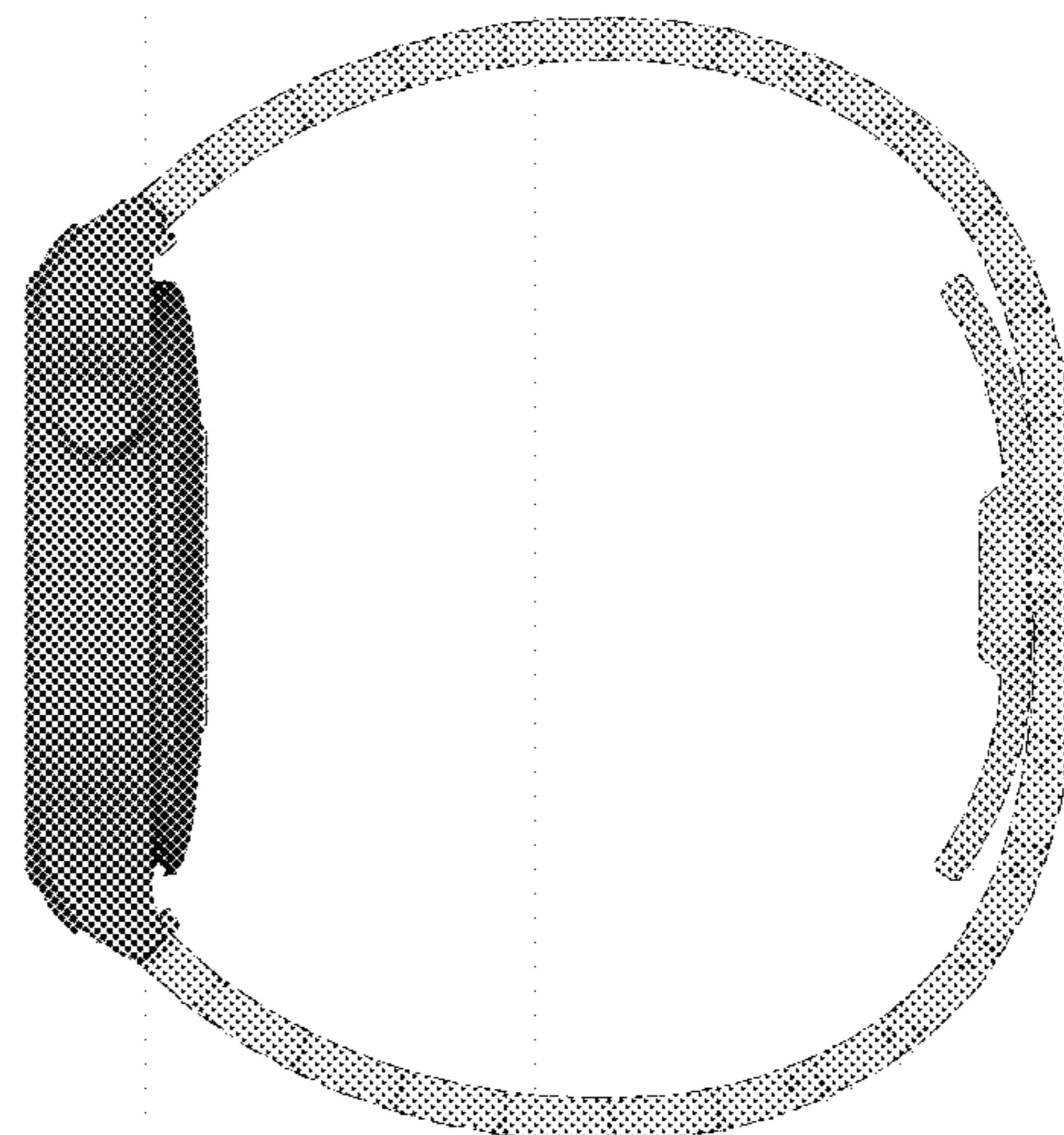
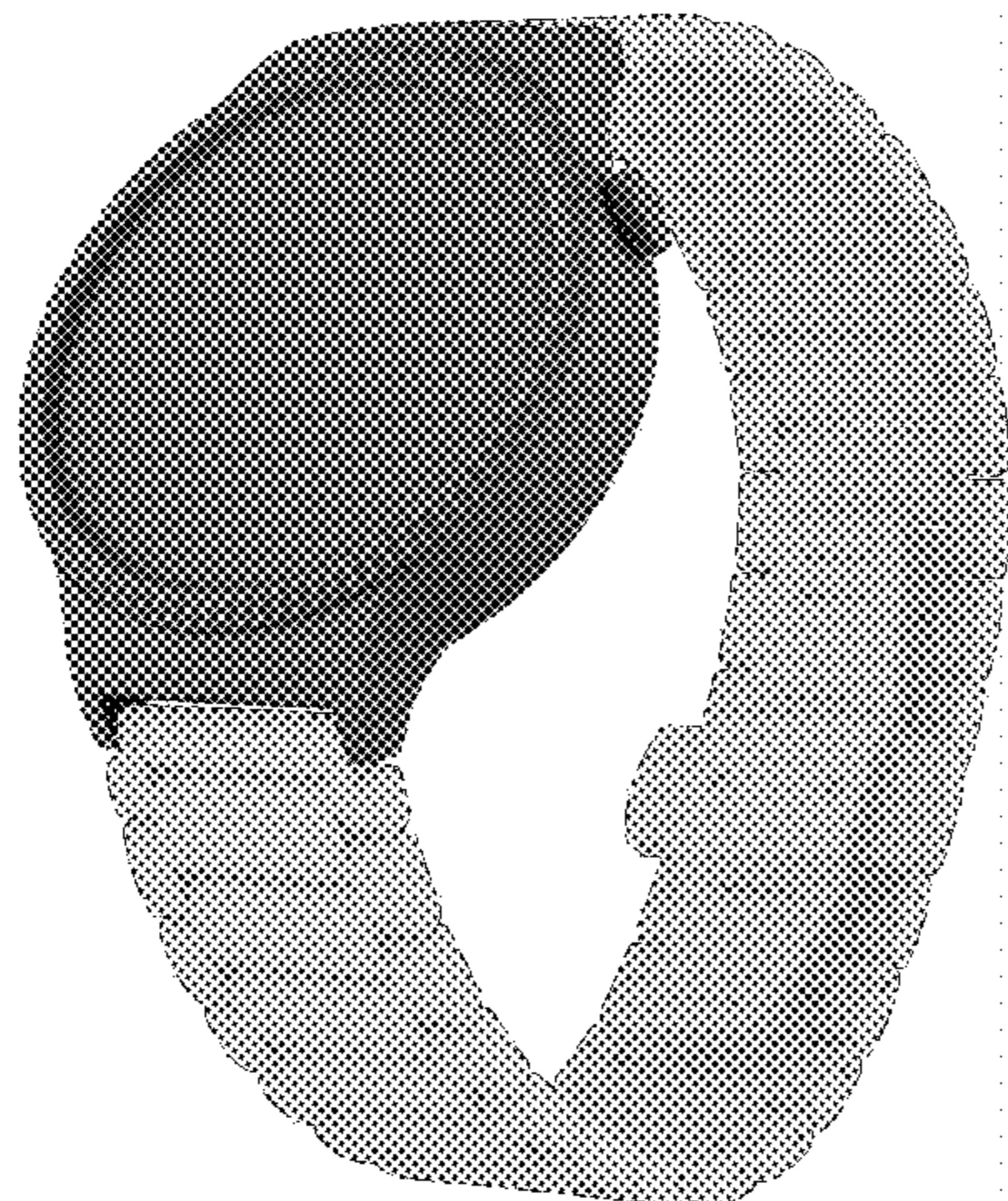
FIG. 5 is a right side view thereof;

FIG. 6 is a top view thereof; and,

FIG. 7 is a bottom view thereof.

The dash-dot lines in the figures and the areas within the dash-dot lines show portions of the wearable device that form no part of the claimed design.

**1 Claim, 7 Drawing Sheets**



(56)

**References Cited**

U.S. PATENT DOCUMENTS

D433,949 S \* 11/2000 Helleu ..... D10/30  
 D599,680 S \* 9/2009 Schoepfer ..... D10/32  
 D600,145 S \* 9/2009 Schoepfer ..... D10/38  
 D624,442 S \* 9/2010 Clerc ..... D10/38  
 D630,530 S \* 1/2011 Nunes ..... D10/38  
 D658,518 S \* 5/2012 Behling ..... D10/39  
 D672,664 S \* 12/2012 Monachon ..... D10/32  
 D707,572 S \* 6/2014 Calvani ..... D10/39  
 D714,661 S \* 10/2014 Calvani ..... D10/39  
 D726,676 S \* 4/2015 Park ..... D10/38  
 D742,260 S \* 11/2015 Park ..... D10/30  
 D751,929 S \* 3/2016 Ette ..... D10/126  
 D767,566 S \* 9/2016 Morgenroth ..... D14/344  
 D768,512 S \* 10/2016 Ruffieux ..... D10/32

FOREIGN PATENT DOCUMENTS

CN 302121778 S 10/2012  
 CN 302942775 S 9/2014  
 CN 303067873 S 1/2015

JP D1263858 2/2006  
 JP D1293592 2/2007  
 JP D1321959 2/2008  
 JP D1435606 S 3/2012  
 WO DM0729490002 2/2010

OTHER PUBLICATIONS

Alcatel OneTouch's new device family has a pretty tempting smartwatch, posted Sep. 4, 2014, [retrieved Jun. 24, 2017]. Retrieved from Internet, <URL: <https://www.engadget.com/2014/09/04/alcatel-hero-2-hero-8-smartwatch/> >.\*

Thread: What can you tell me about Rip Curl watches?, posted Sep. 30, 2012, [retrieved Jun. 24, 2017]. Retrieved from Internet, <URL: <http://forums.watchuseek.com/f71/what-can-you-tell-me-about-rip-curl-watches-755833.html> >.\*

Rolex Datejust II and Rolex Day-Date II Watch Reviews p. 3, posted Jul. 8, 2013, [retrieved Jul. 23, 2017]. Retrieved from Internet, <URL: <http://www.ablogtowatch.com/rolex-datejust-ii-watch-review/3/> >.\*

\* cited by examiner





FIG. 1





FIG. 2

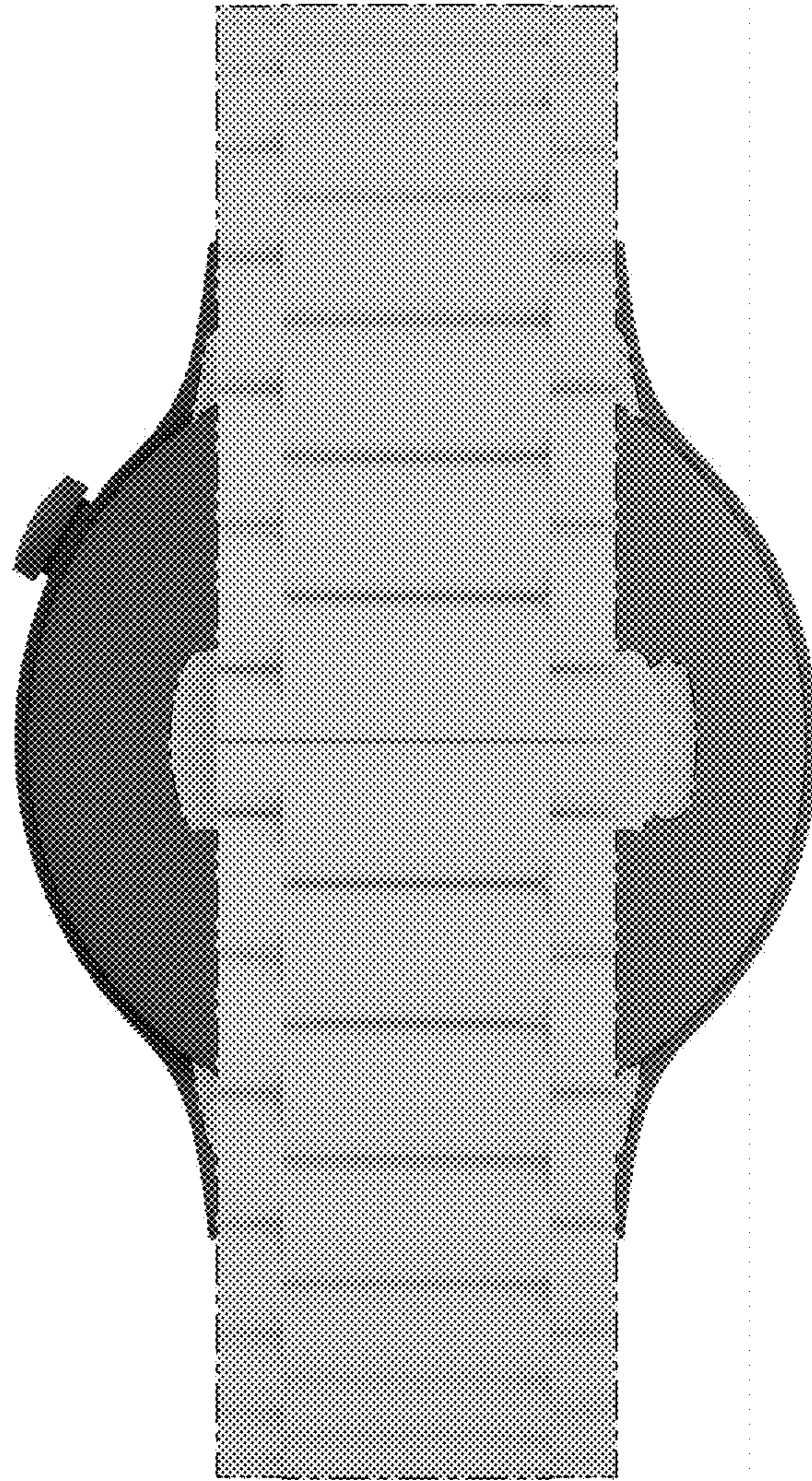


FIG. 3



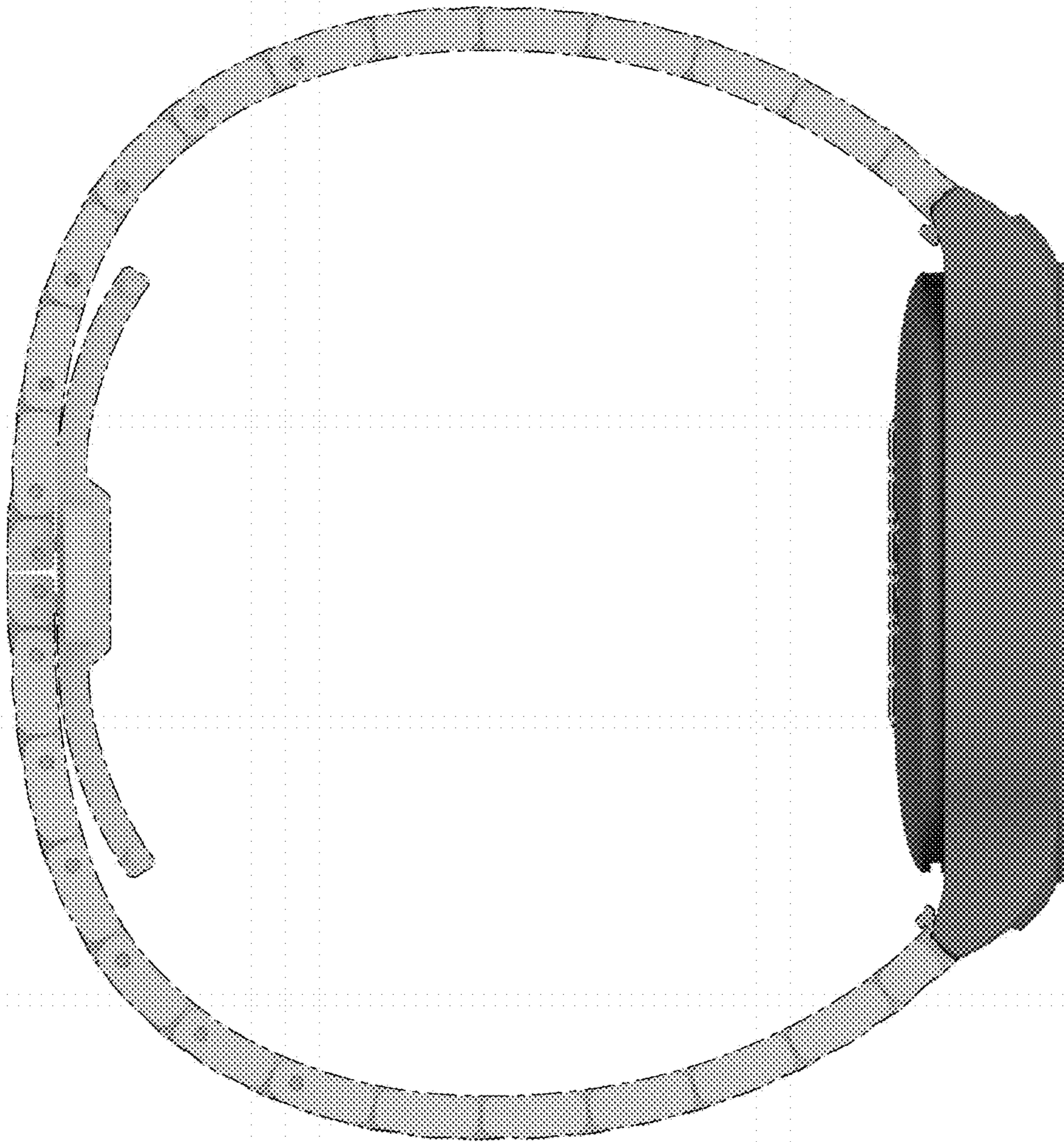


FIG. 4

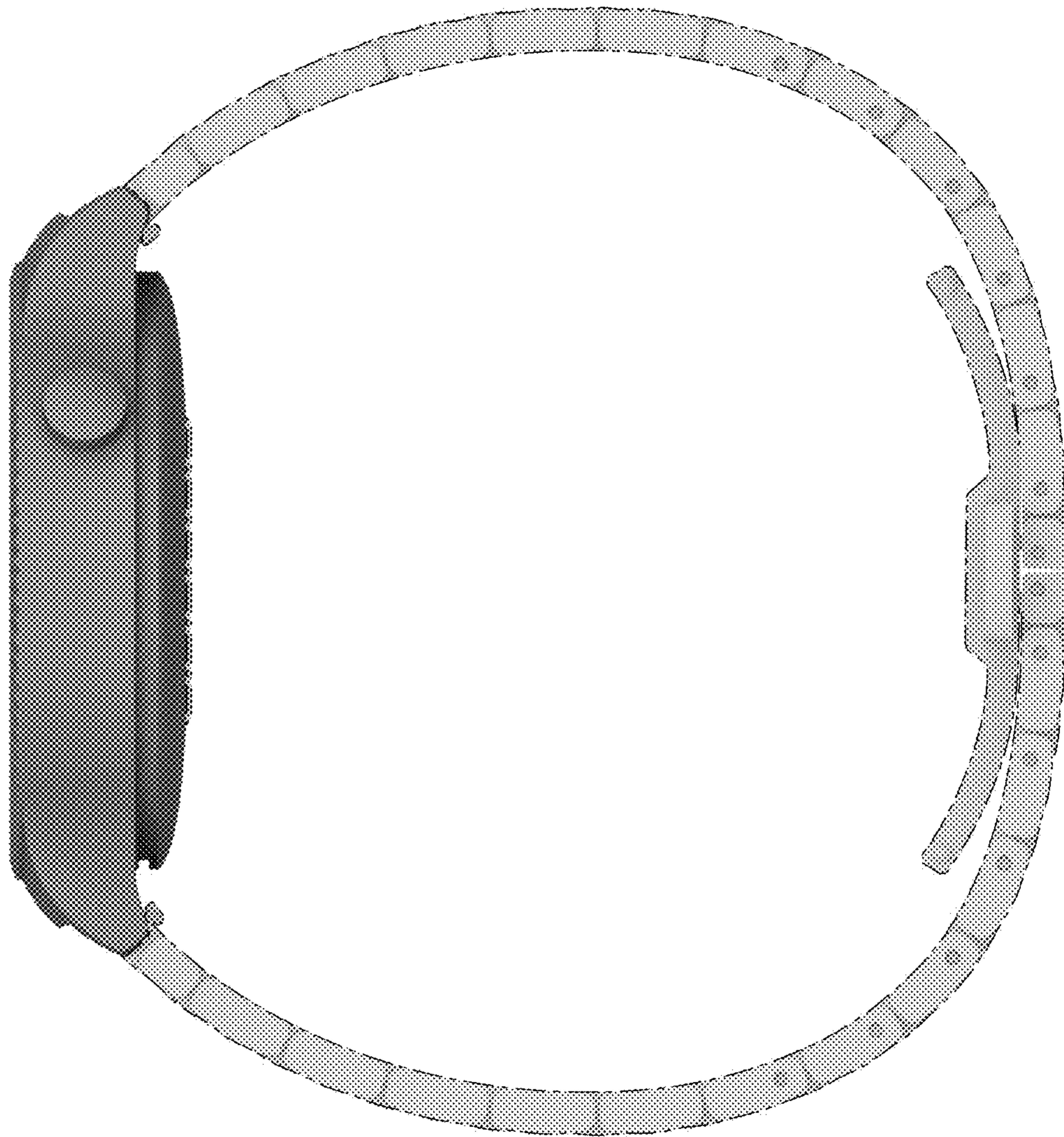


FIG. 5



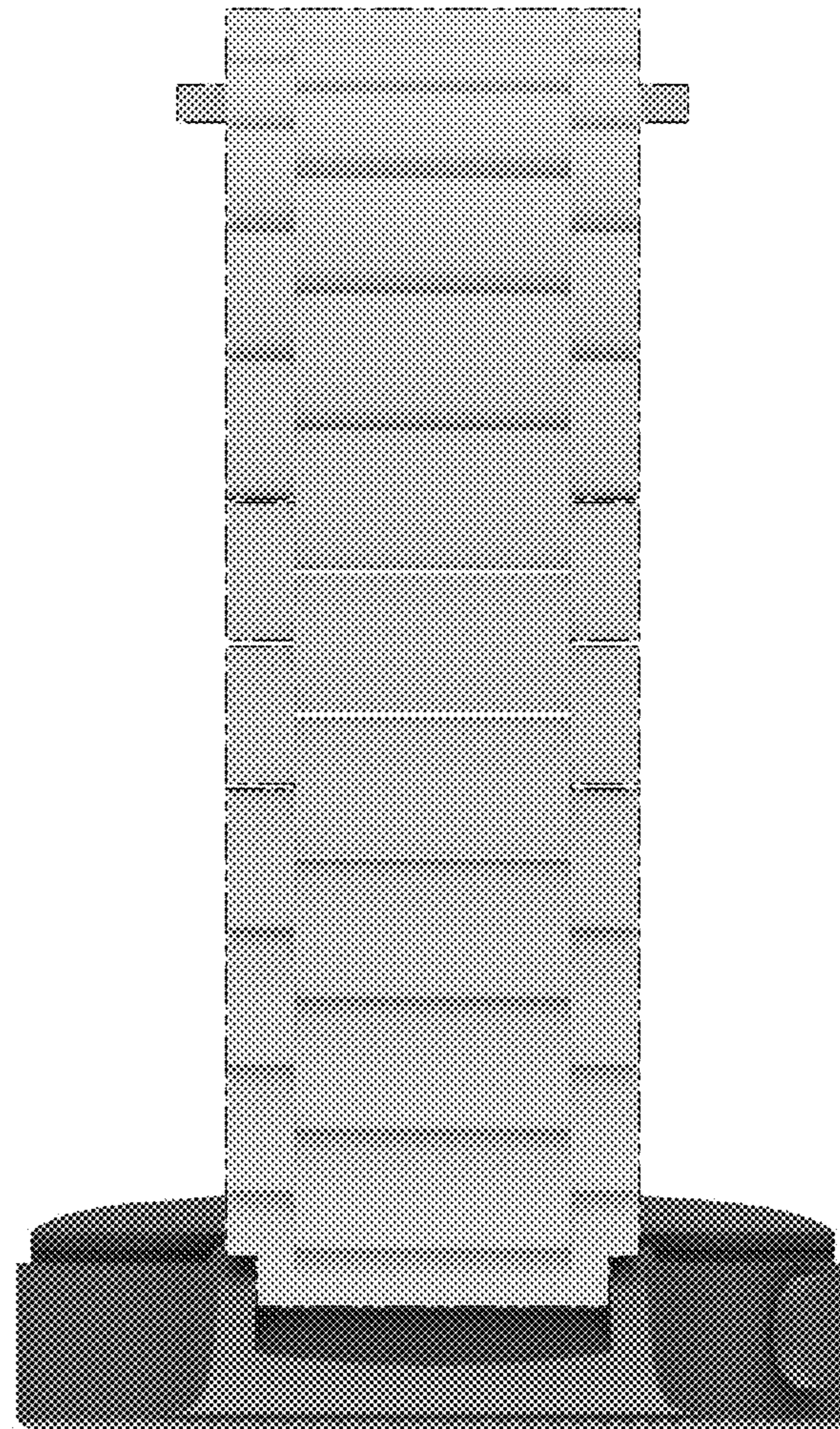


FIG. 6



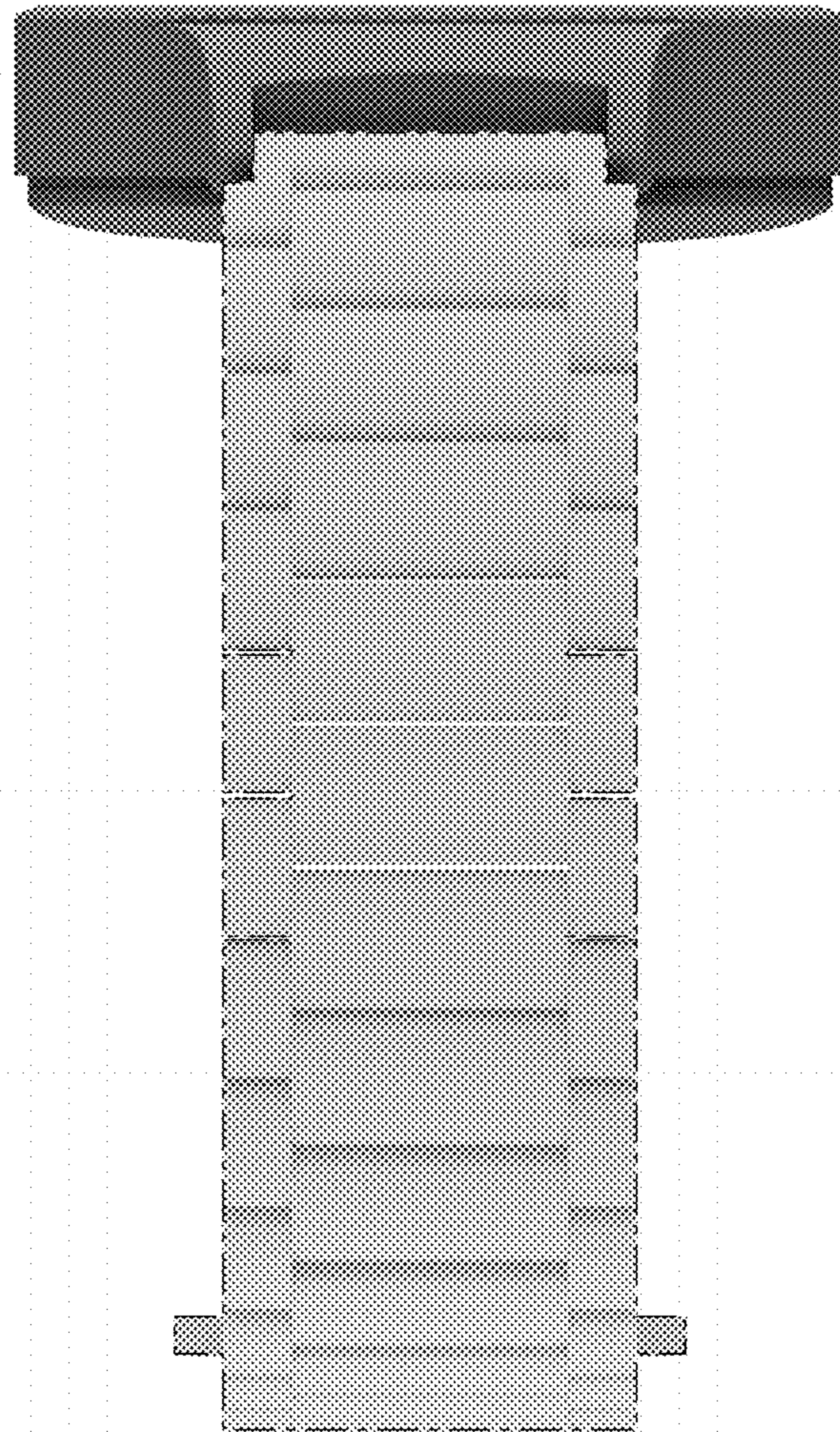


FIG. 7