



US00D828831S

(12) **United States Design Patent**
Ragland et al.

(10) **Patent No.:** **US D828,831 S**

(45) **Date of Patent:** **** Sep. 18, 2018**

(54) **DIGITAL KIOSK**

(71) Applicant: **Genuine Parts Company**, Atlanta, GA (US)

(72) Inventors: **Alex S. Ragland**, Decatur, GA (US);
Keith E. Boyd, Decatur, GA (US); **Rob Milstead**, Atlanta, GA (US)

(73) Assignee: **GENUINE PARTS COMPANY**, Atlanta, GA (US)

(**) Term: **15 Years**

(21) Appl. No.: **29/612,486**

(22) Filed: **Aug. 1, 2017**

(51) **LOC (11) Cl.** **14-02**

(52) **U.S. Cl.**
USPC **D14/307**

(58) **Field of Classification Search**

USPC D14/302-307, 900-902; D13/163;
D20/10; D21/332, 325, 369, 370;
D99/28; D6/397, 466; 194/206;
361/679.01, 679.02, 679.04, 679.21,
361/679.57, 725

CPC G06Q 20/18; G06Q 20/10; G06Q 20/123;
G06Q 20/20; G06Q 30/02; G06Q 30/06;
A47F 9/047

See application file for complete search history.

(56) **References Cited**

U.S. PATENT DOCUMENTS

D589,833 S * 4/2009 Kim D10/108
D693,803 S * 11/2013 Colley D14/307

D702,579 S * 4/2014 Lee D10/108
D705,108 S * 5/2014 Lee D10/108
D717,785 S * 11/2014 Winston D14/307
D761,783 S * 7/2016 Kulkarni D14/300
D763,247 S * 8/2016 Yopez D14/307
D777,722 S * 1/2017 Murphy D14/307
D781,843 S * 3/2017 Horn, II D14/307
D782,466 S * 3/2017 Yopez D14/307
D782,467 S * 3/2017 Bladwell D14/307
D816,077 S * 4/2018 Benic D14/307

* cited by examiner

Primary Examiner — Austin Murphy

(74) *Attorney, Agent, or Firm* — Troutman Sanders LLP;
Ryan A. Schneider; Alexis N. Simpson

(57) **CLAIM**

We claim the ornamental design for a digital kiosk, as shown and described.

DESCRIPTION

FIG. 1 is a front, top, and right side perspective view showing our new design.

FIG. 2 is a rear, bottom, and left side perspective view thereof.

FIG. 3 is a front view thereof.

FIG. 4 is a rear view thereof.

FIG. 5 is a right view thereof.

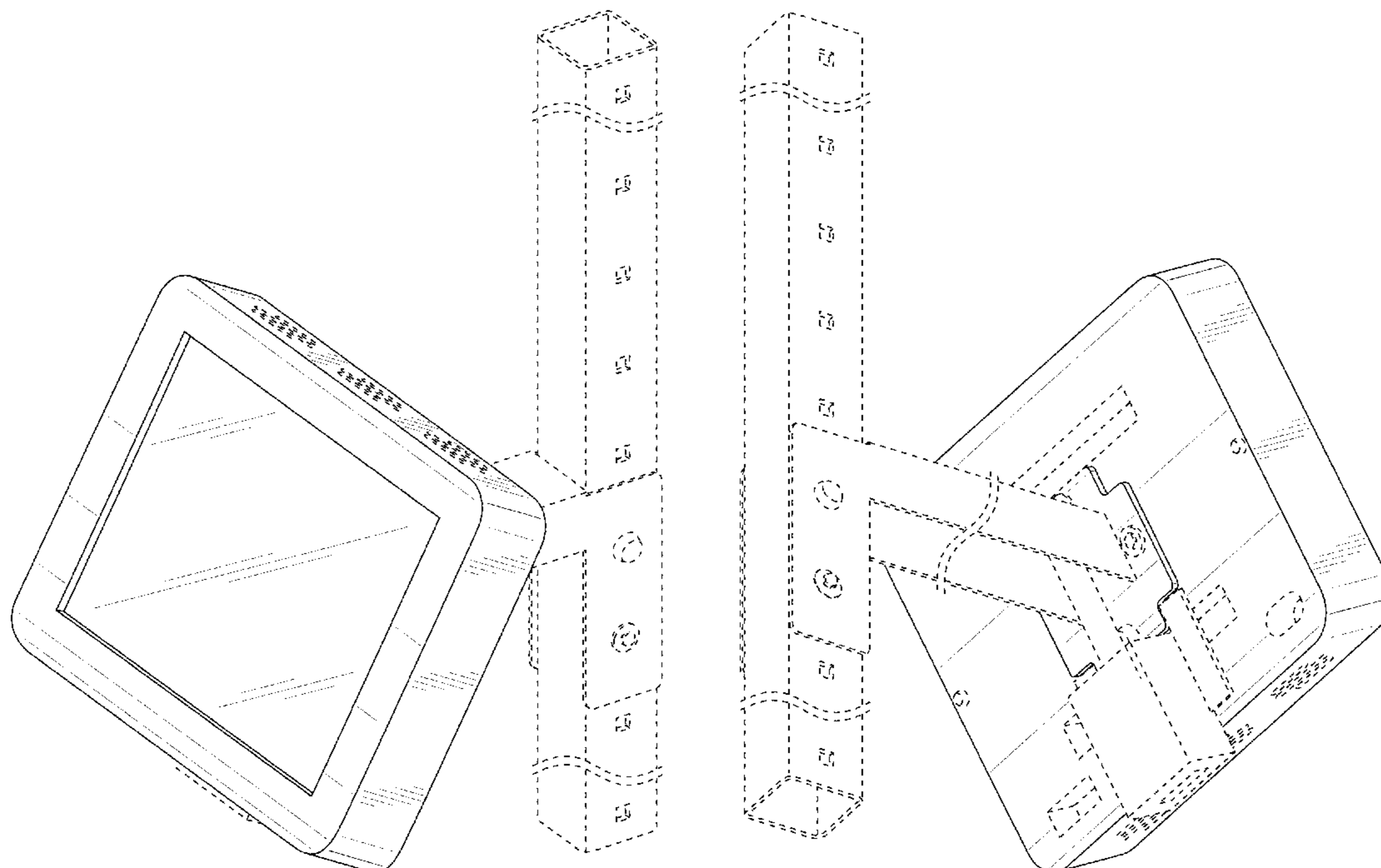
FIG. 6 is a left view thereof.

FIG. 7 is a top view thereof; and,

FIG. 8 is a bottom view thereof.

The broken lines shown represent unclaimed subject matter and form no part of the claimed design. The shade lines shown represent surface shading and not surface ornamentation, color, or material type.

1 Claim, 8 Drawing Sheets



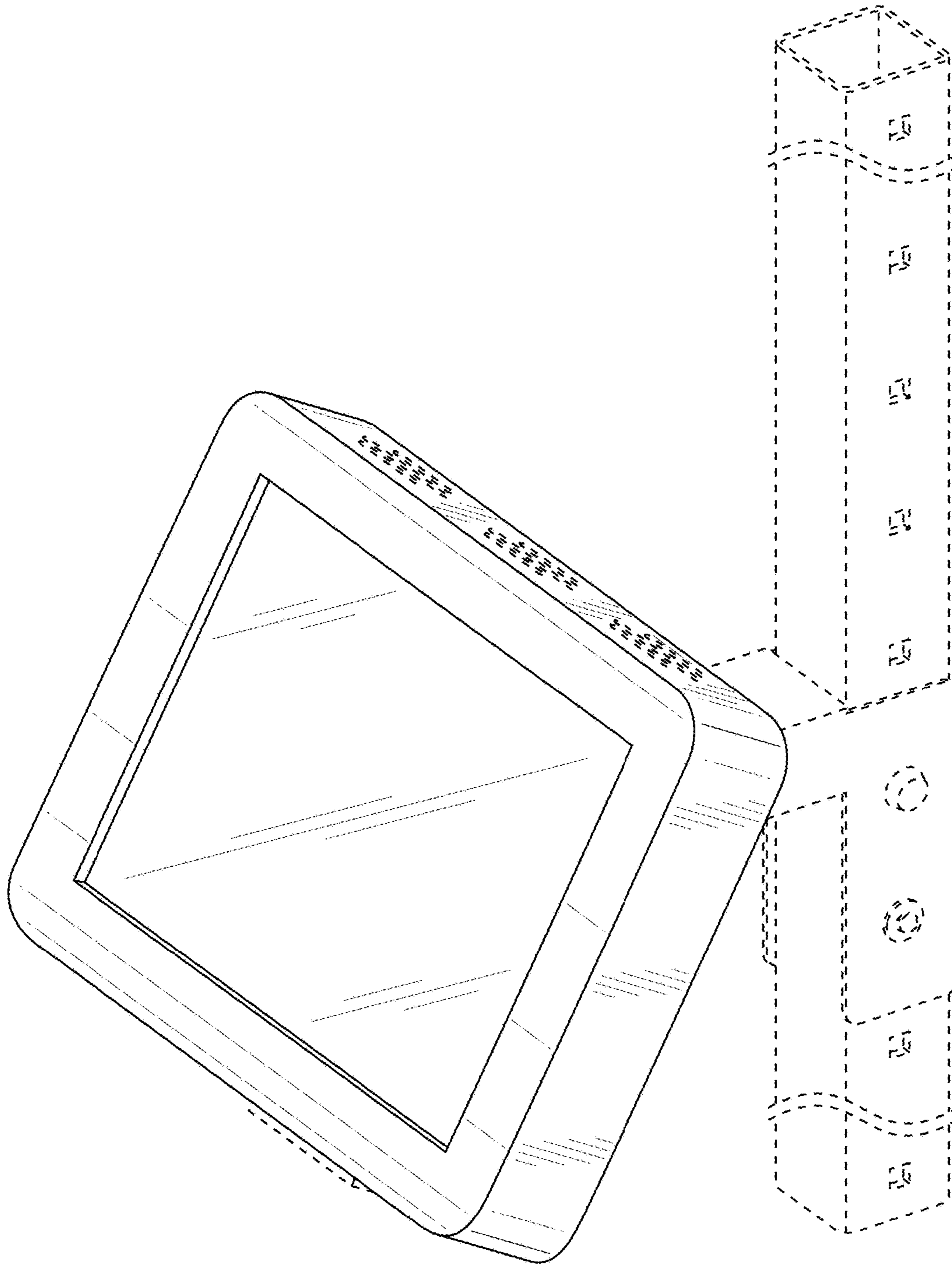


FIG. 1

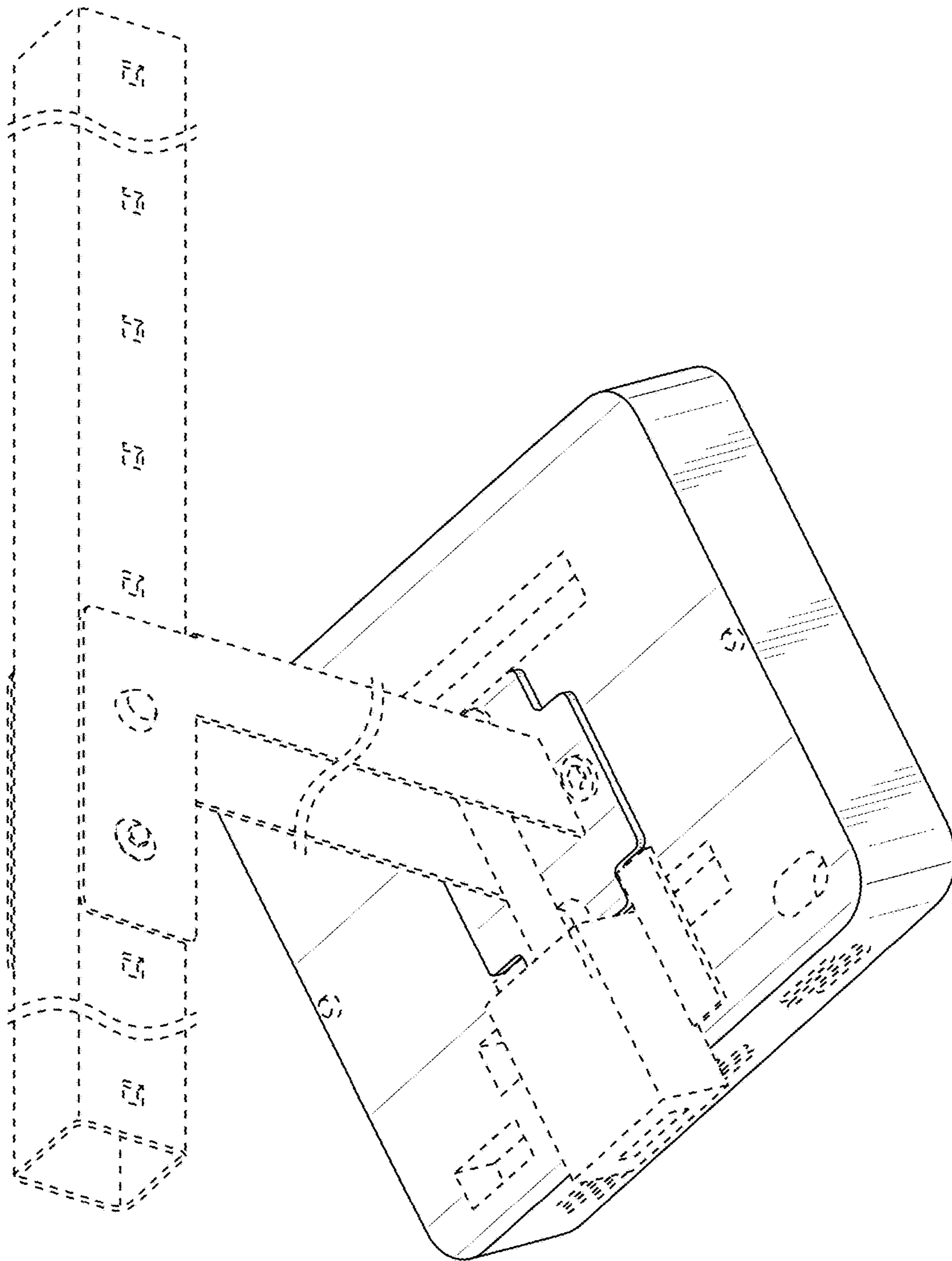
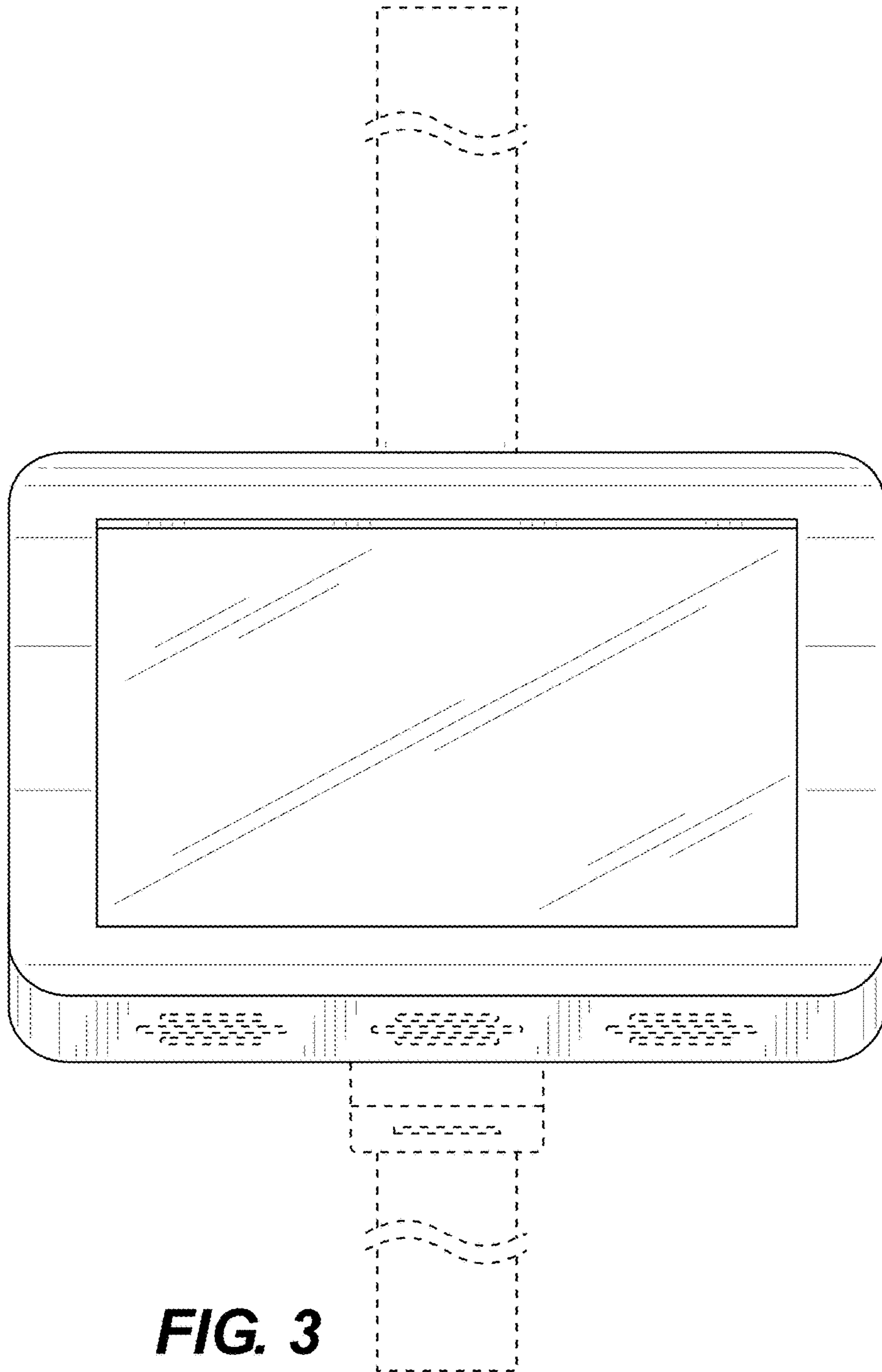


FIG. 2



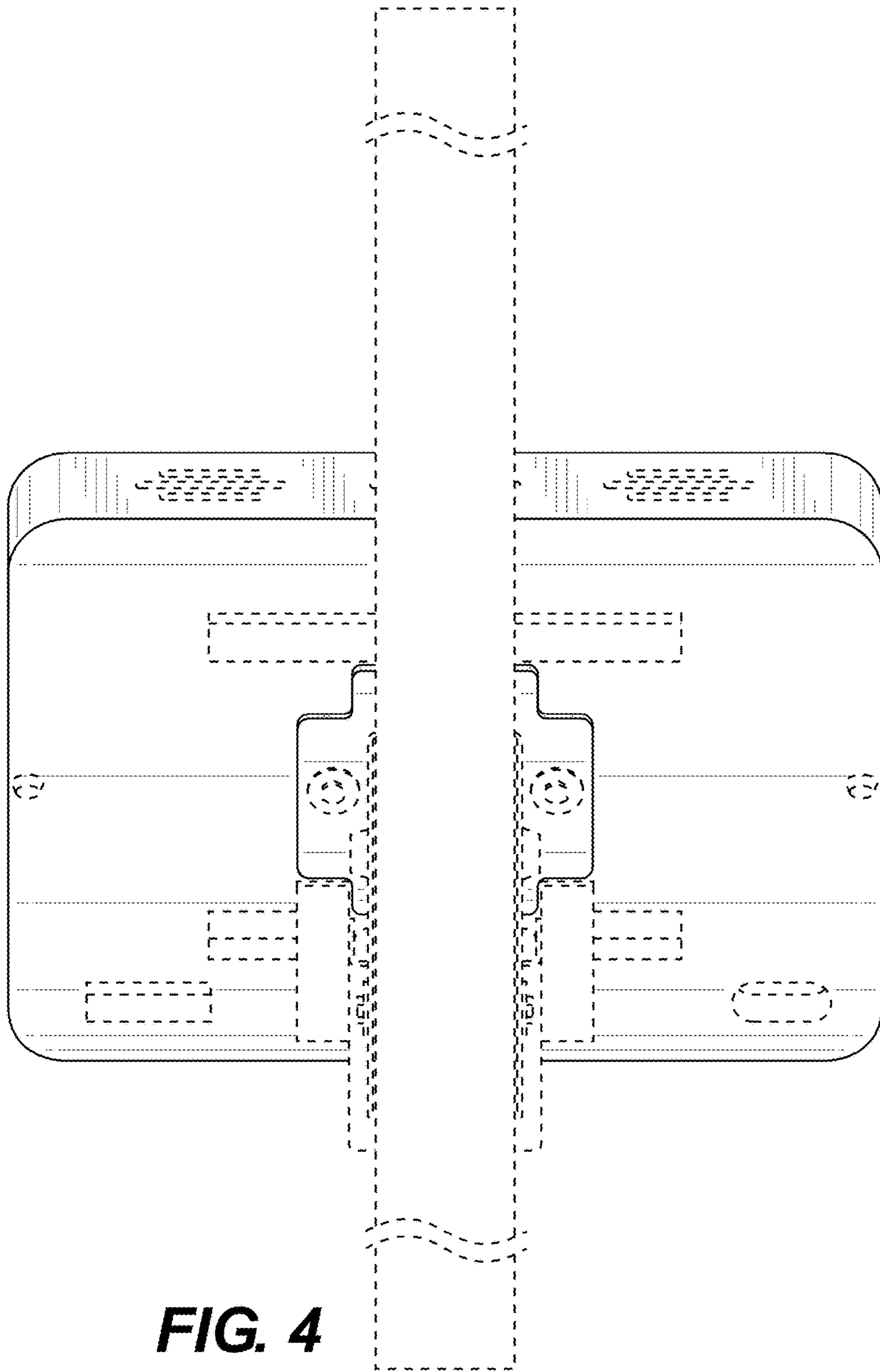


FIG. 4

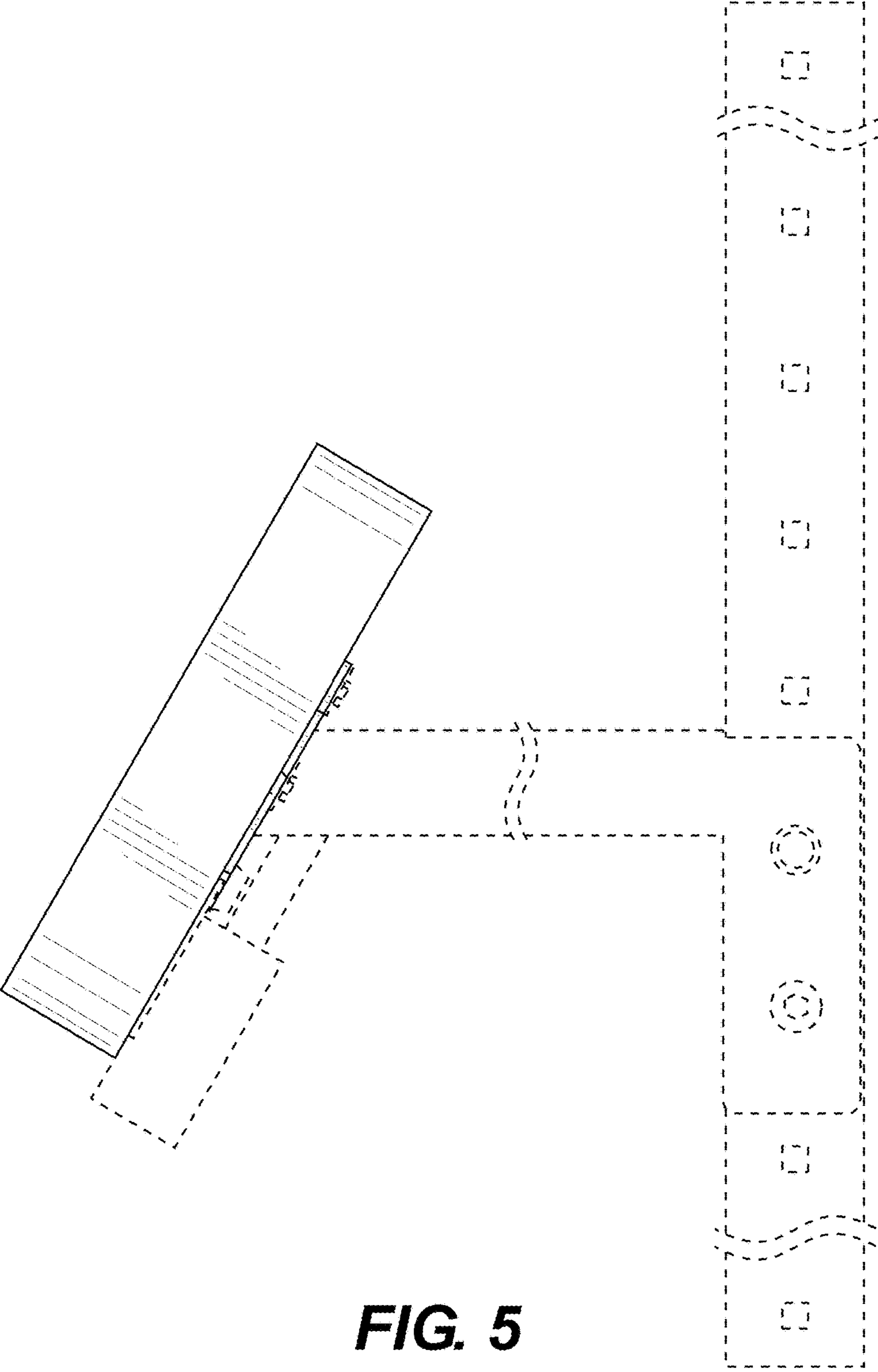


FIG. 5

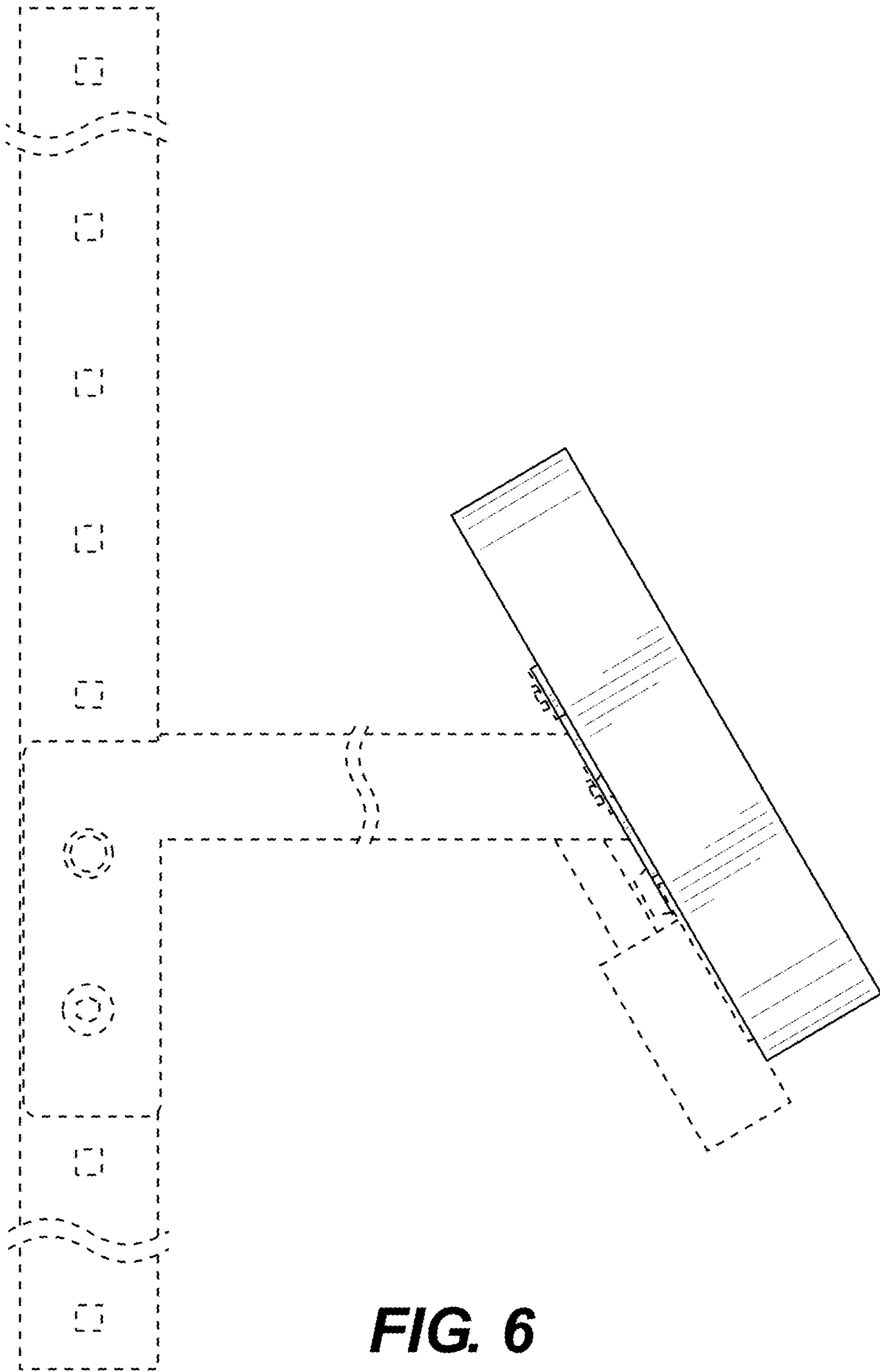


FIG. 6

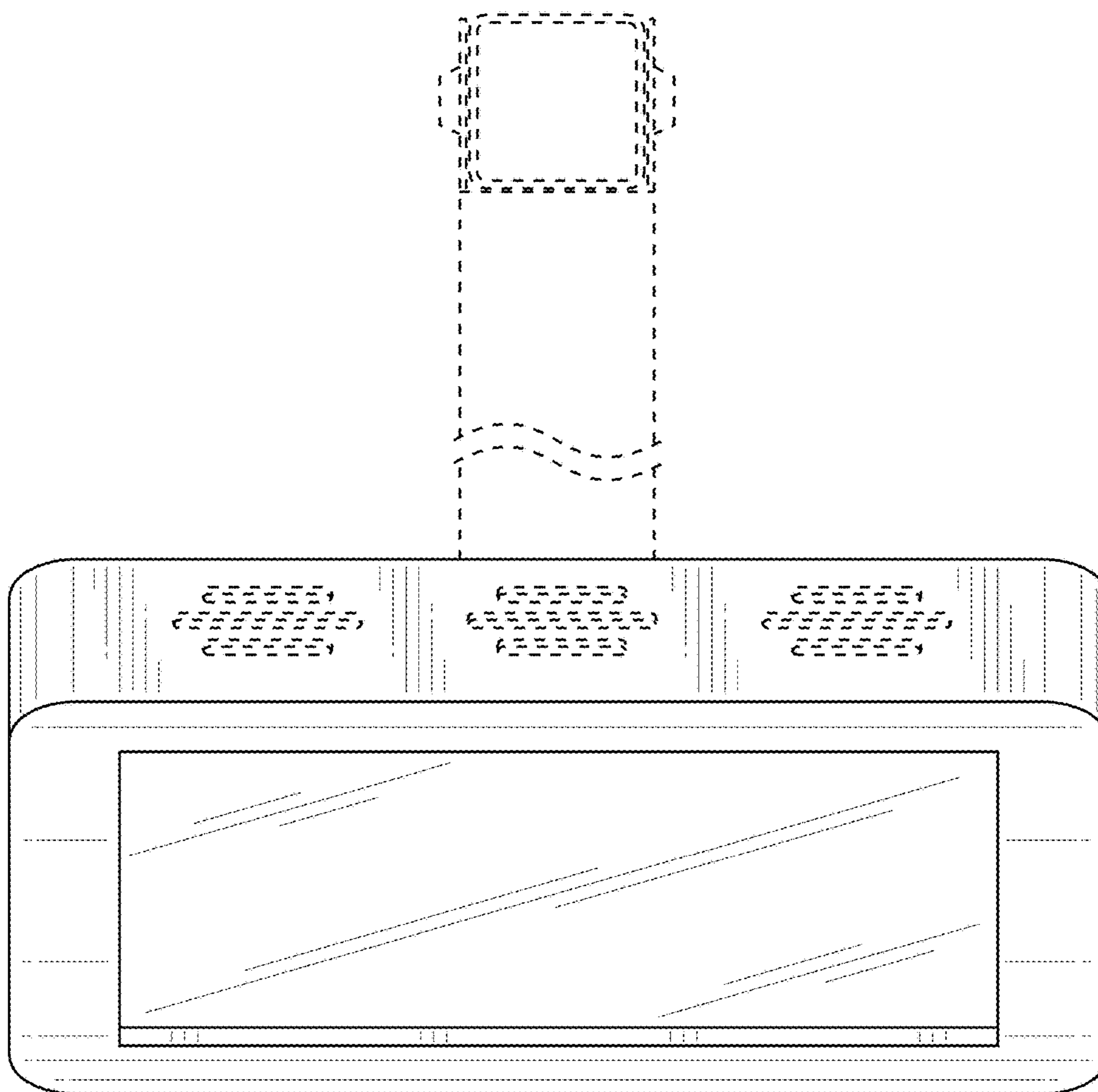


FIG. 7

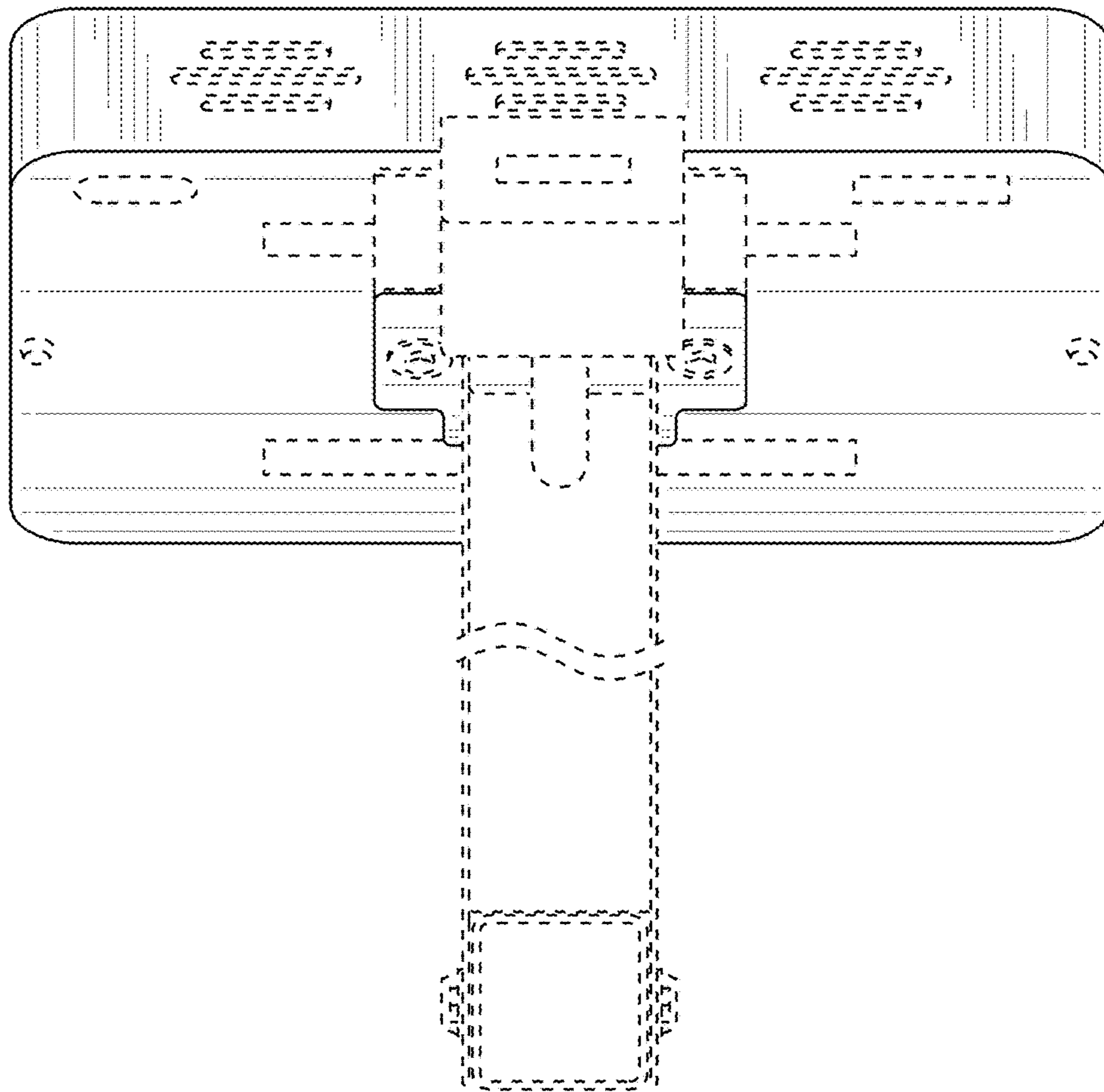


FIG. 8