



US00D828830S

(12) **United States Design Patent**
Soon

(10) **Patent No.:** **US D828,830 S**

(45) **Date of Patent:** **** Sep. 18, 2018**

(54) **STAND COMPONENT FOR AN ELECTRONIC DEVICE STAND**

(71) Applicant: **Min Tet Soon**, Sabah (MY)

(72) Inventor: **Min Tet Soon**, Sabah (MY)

(**) Term: **15 Years**

(21) Appl. No.: **29/551,305**

(22) Filed: **Jan. 12, 2016**

(51) **LOC (11) Cl.** **14-03**

(52) **U.S. Cl.**

USPC **D14/253**; D14/447; D8/382; D19/87

(58) **Field of Classification Search**

USPC D13/110, 133, 147; D14/251–253, 447; D19/72, 66, 87, 99; D8/382, 354

CPC H04R 1/025; H04R 5/04; F16M 11/10; F16M 11/20

See application file for complete search history.

(56) **References Cited**

U.S. PATENT DOCUMENTS

5,607,135	A	3/1997	Yamada	
5,906,448	A	5/1999	Najmi	
D435,788	S *	1/2001	Bunning D8/382
D453,017	S *	1/2002	Gledhill D14/253
D453,155	S *	1/2002	Michel D14/253
6,597,577	B1 *	7/2003	Tang G11B 33/0411
				248/917
D478,074	S *	8/2003	Lam D14/253
D478,632	S *	8/2003	Chen D14/252
D554,114	S *	10/2007	Bonaventura D14/252
D569,240	S *	5/2008	Aoki D8/382
D574,375	S *	8/2008	Prest D14/217
D598,957	S *	8/2009	Isozaki D19/72
D603,694	S *	11/2009	Bushey D8/402
D612,890	S *	3/2010	Isozaki D19/72
D616,431	S *	5/2010	Hijmans D14/253
D623,641	S *	9/2010	Harden D14/253

D633,146	S *	2/2011	Lee D19/72
D640,249	S *	6/2011	Choi D14/253
D652,422	S *	1/2012	Cheng D14/253
D664,141	S	7/2012	Haymond	
8,218,299	B2	7/2012	Yuan	
D669,064	S *	10/2012	Huang D14/251
8,303,126	B2	11/2012	Moya, Jr.	
8,347,770	B2	1/2013	Cedar et al.	
D681,625	S *	5/2013	Zehner D14/253
D681,626	S *	5/2013	Zehner D14/253

(Continued)

Primary Examiner — Janice Hallmark

(74) *Attorney, Agent, or Firm* — Richard L Miller

(57) **CLAIM**

The ornamental design for a stand component for an electronic device stand, as shown and described.

DESCRIPTION

FIG. 1 is a perspective view of a stand component for an electronic device stand showing my new design in an environment of use mounted on a stand adjacent to an additional stand component;

FIG. 2 is a perspective view of my stand component per se; FIG. 3 is a top plan view thereof, taken in the direction of arrow 3 in FIG. 2;

FIG. 4 is a front elevational view thereof, taken in the direction of arrow 4 in FIG. 2;

FIG. 5 is a bottom plan view thereof, taken in the direction of arrow 4 in FIG. 2;

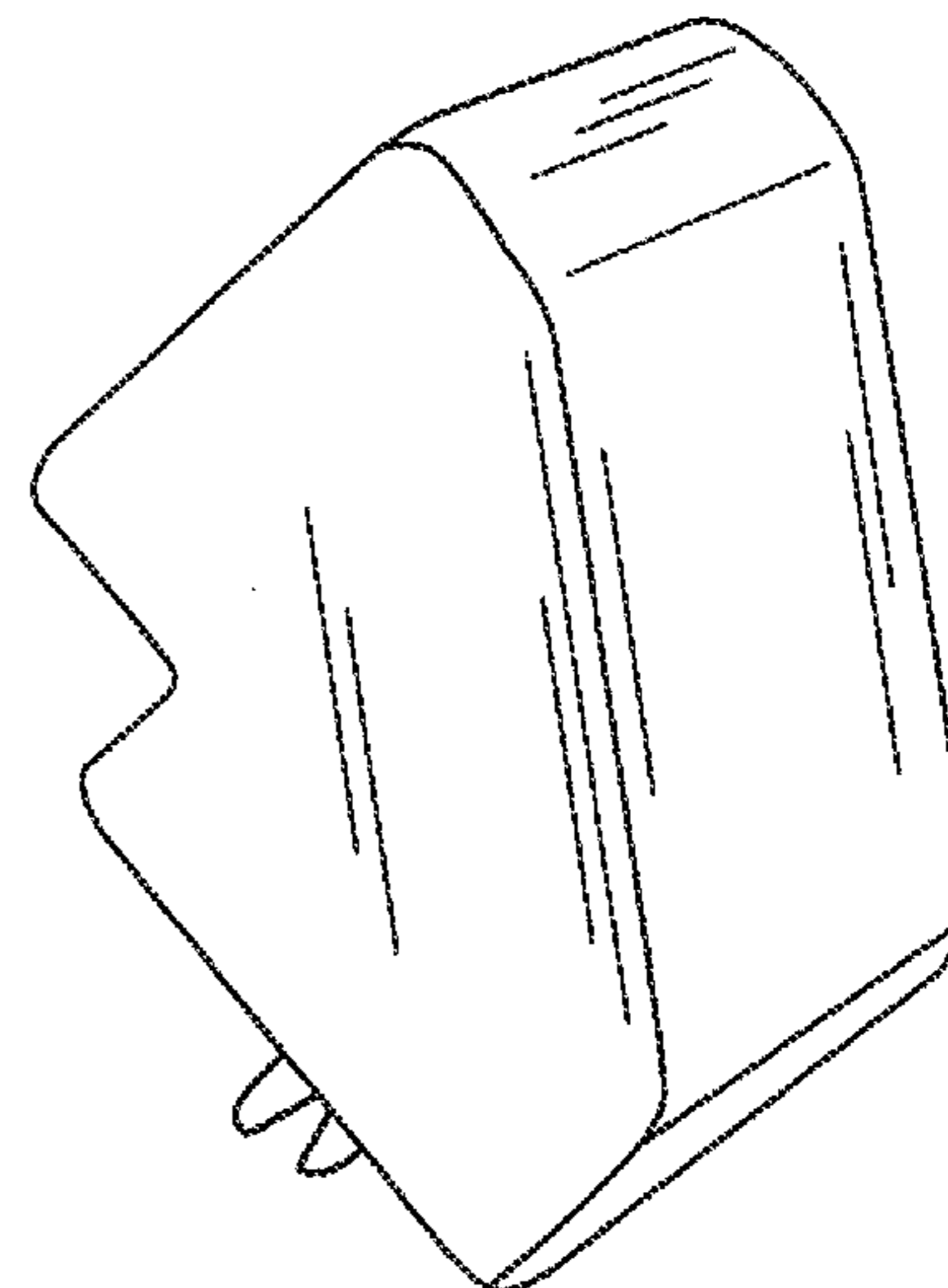
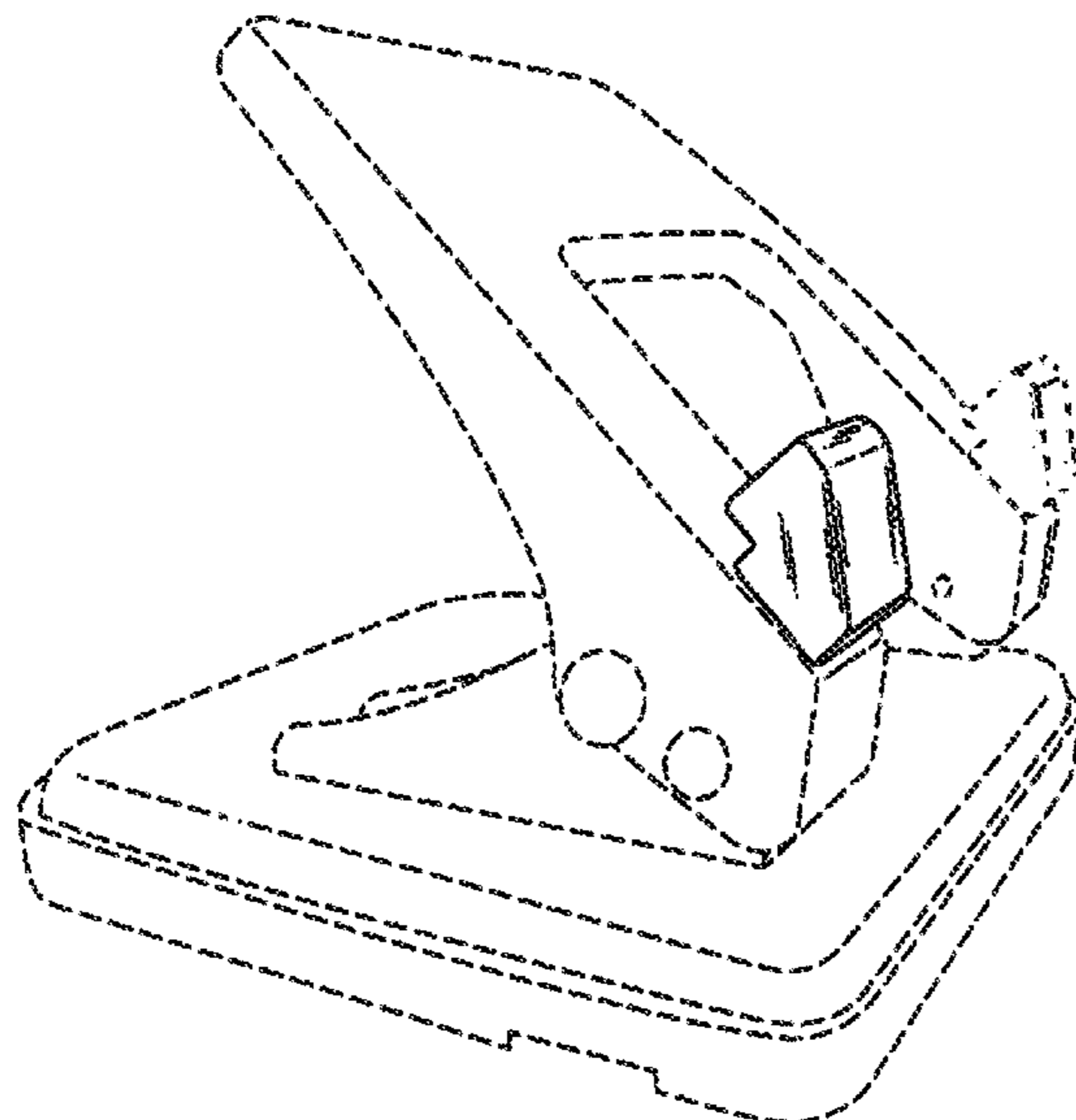
FIG. 6 is a left side elevational view thereof, taken in the direction of arrow 4 in FIG. 2;

FIG. 7 is a rear elevational view thereof, taken in the direction of arrow 7 in FIG. 2; and,

FIG. 8 is a perspective view thereof and is identical to FIG. 2 with directional indicators for clarity of disclosure.

The broken lines in FIG. 1 depict environmental subject matter only and form no part of the claimed design.

1 Claim, 4 Drawing Sheets



(56)

References Cited

U.S. PATENT DOCUMENTS

8,632,041	B2 *	1/2014	Ahn	F16M 13/00 248/309.1
D699,246	S *	2/2014	Ringlein	D14/447
D730,888	S *	6/2015	Malsan	D14/253
D769,247	S *	10/2016	Heyen	D14/447
D769,248	S *	10/2016	Biondo	D14/447
D786,234	S *	5/2017	Bo	D14/252
D789,348	S *	6/2017	Kim	D14/250
D801,345	S *	10/2017	Kujawski	D14/447
9,821,487	B1 *	11/2017	Soon	B26F 1/36
D819,643	S *	6/2018	Hu	D14/434
2008/0236357	A1 *	10/2008	Wu	B26F 1/36 83/613
2010/0224045	A1	9/2010	Ishihara et al.	
2013/0026314	A1	1/2013	Hu et al.	
2013/0049347	A1	2/2013	Bahrami	
2016/0354947	A1 *	12/2016	Huang	B26F 1/36

* cited by examiner

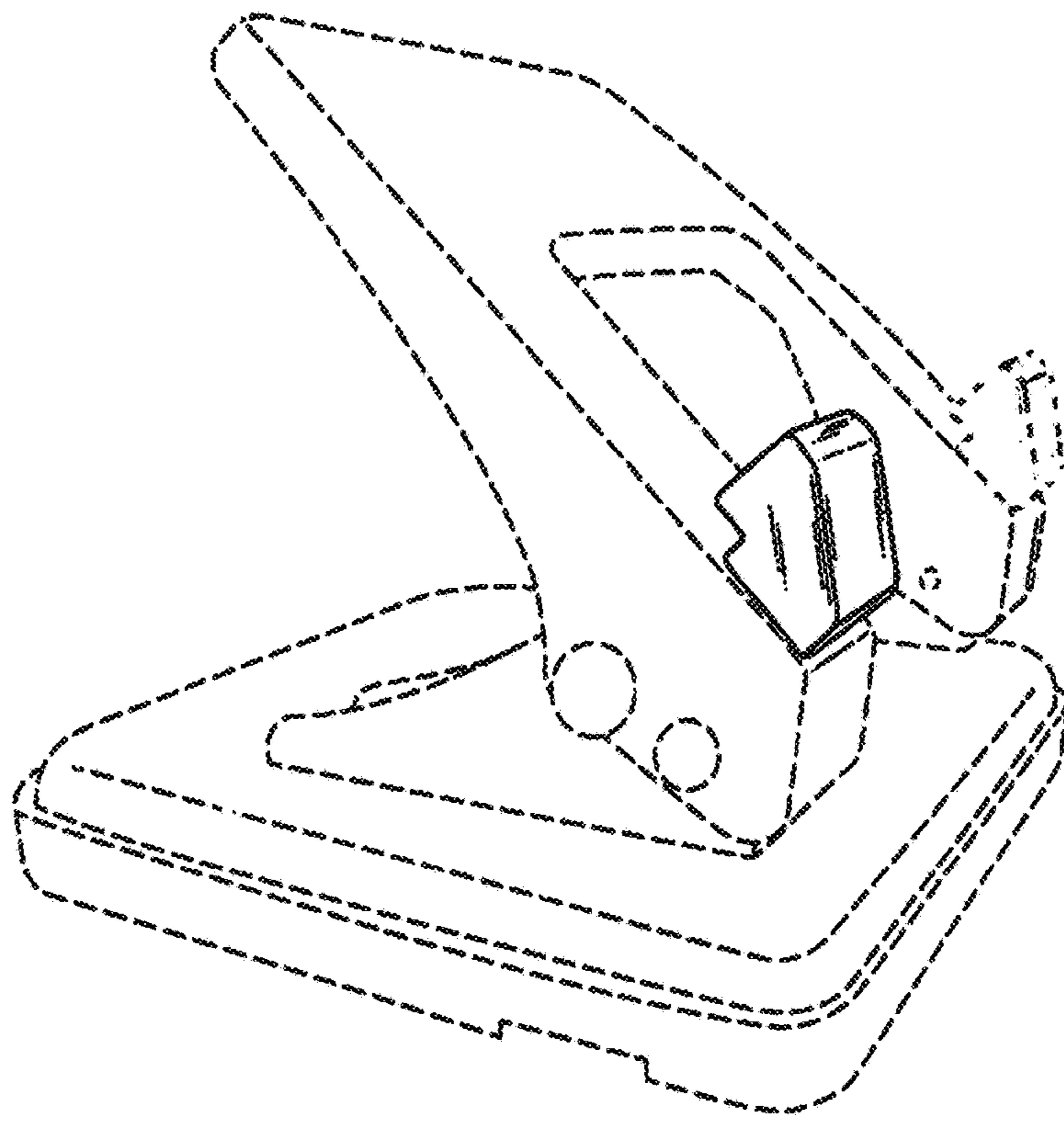


Fig. 1

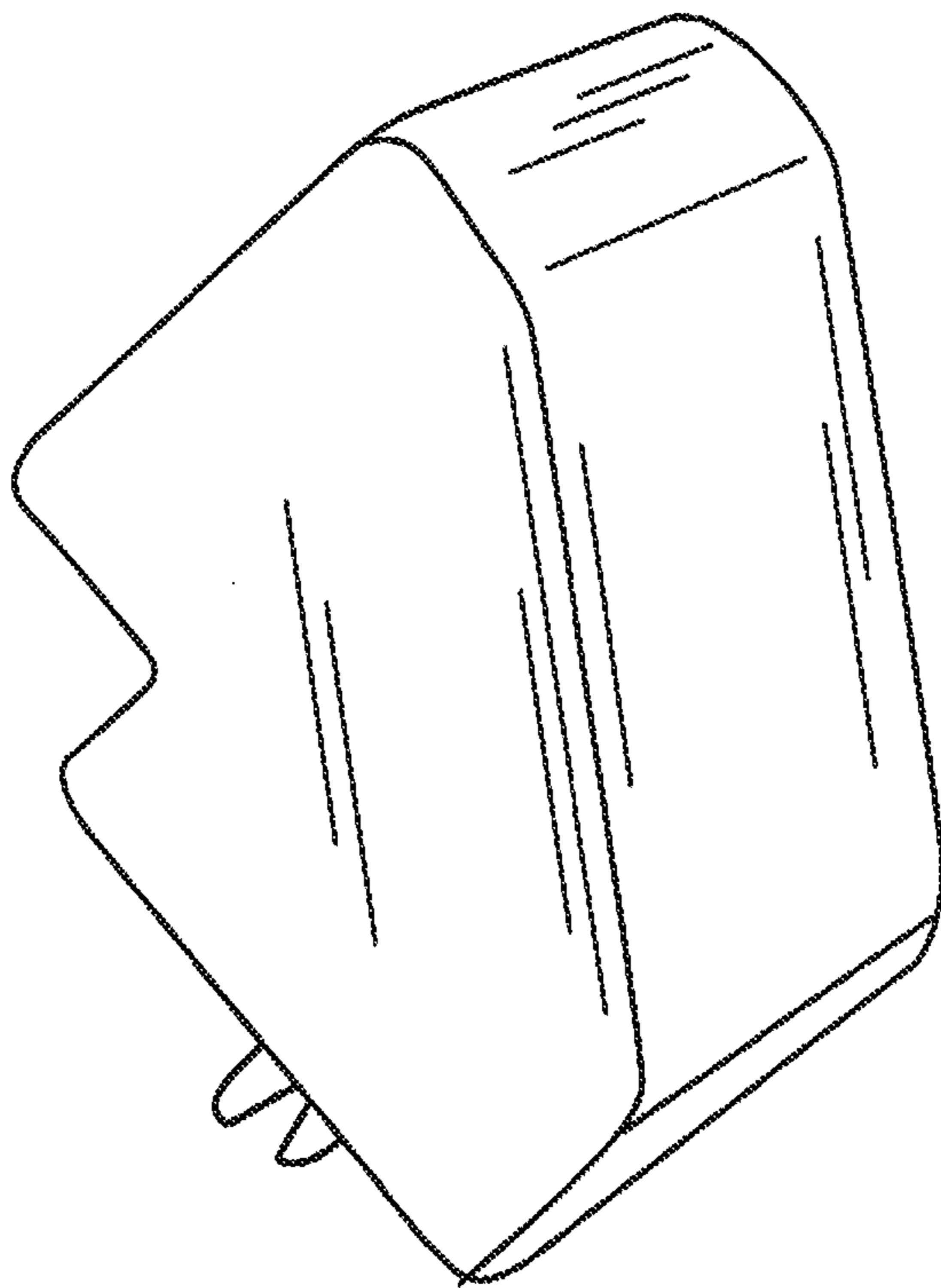


Fig. 2

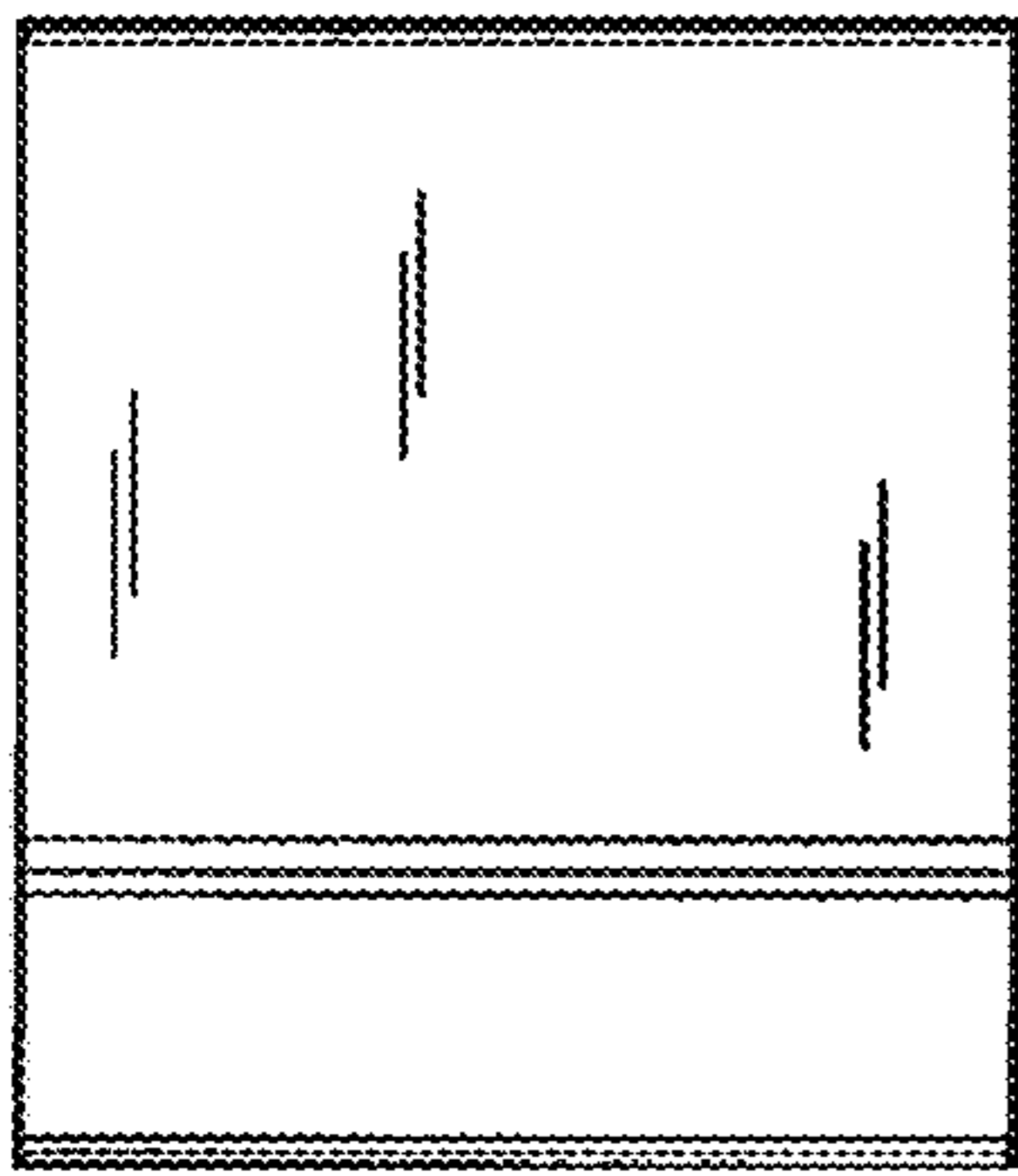


Fig. 3

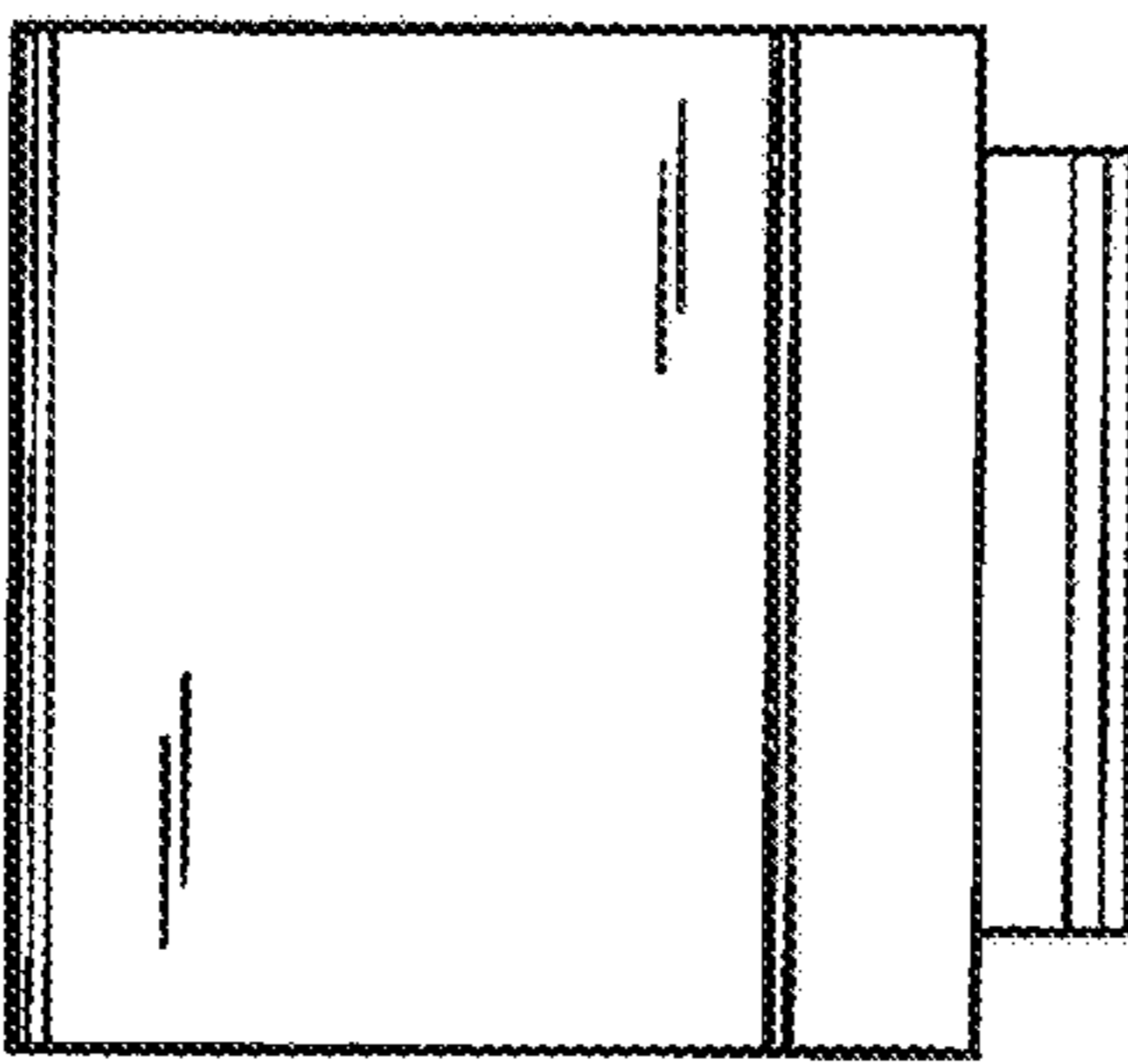


Fig. 4

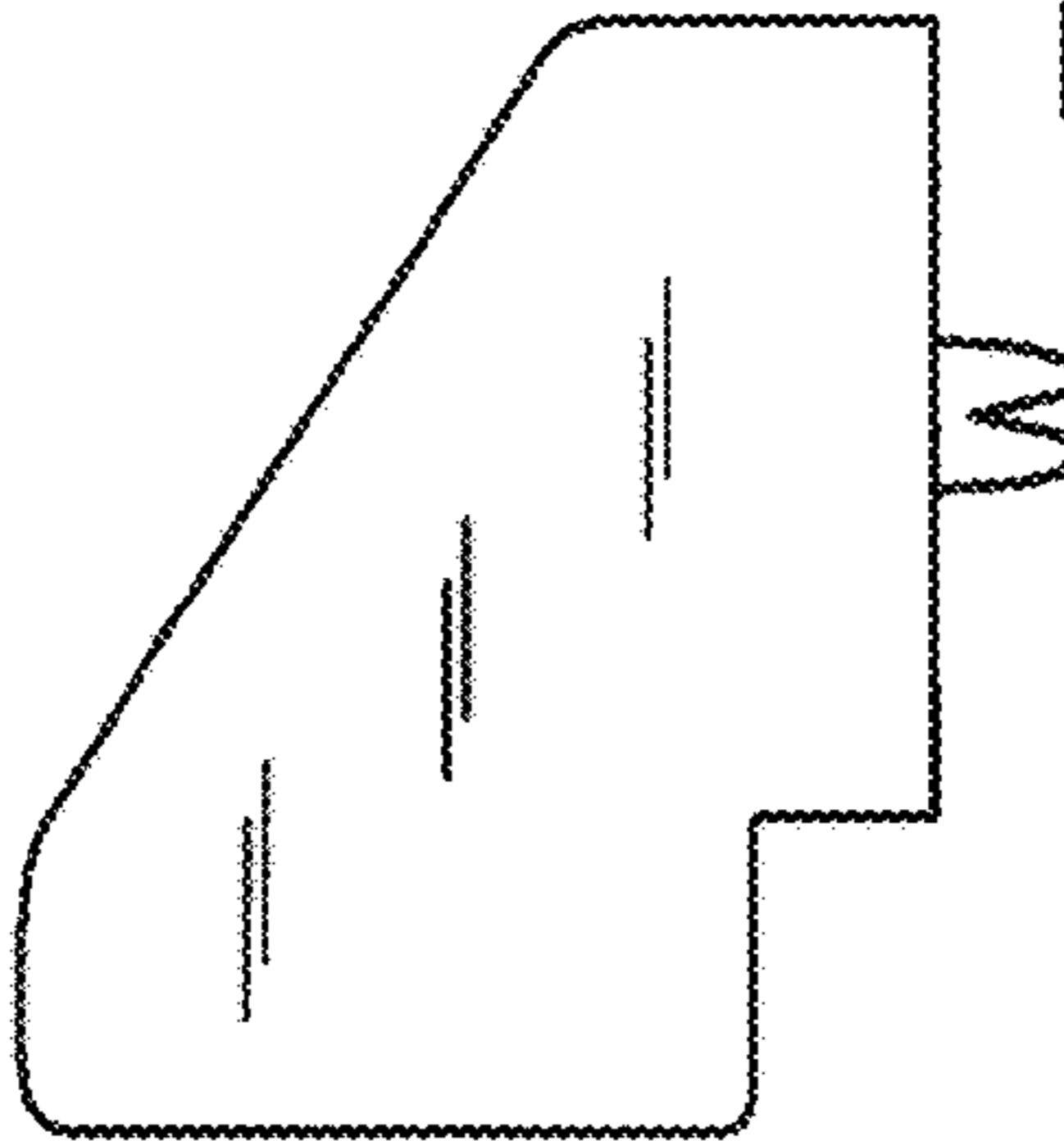


Fig. 5

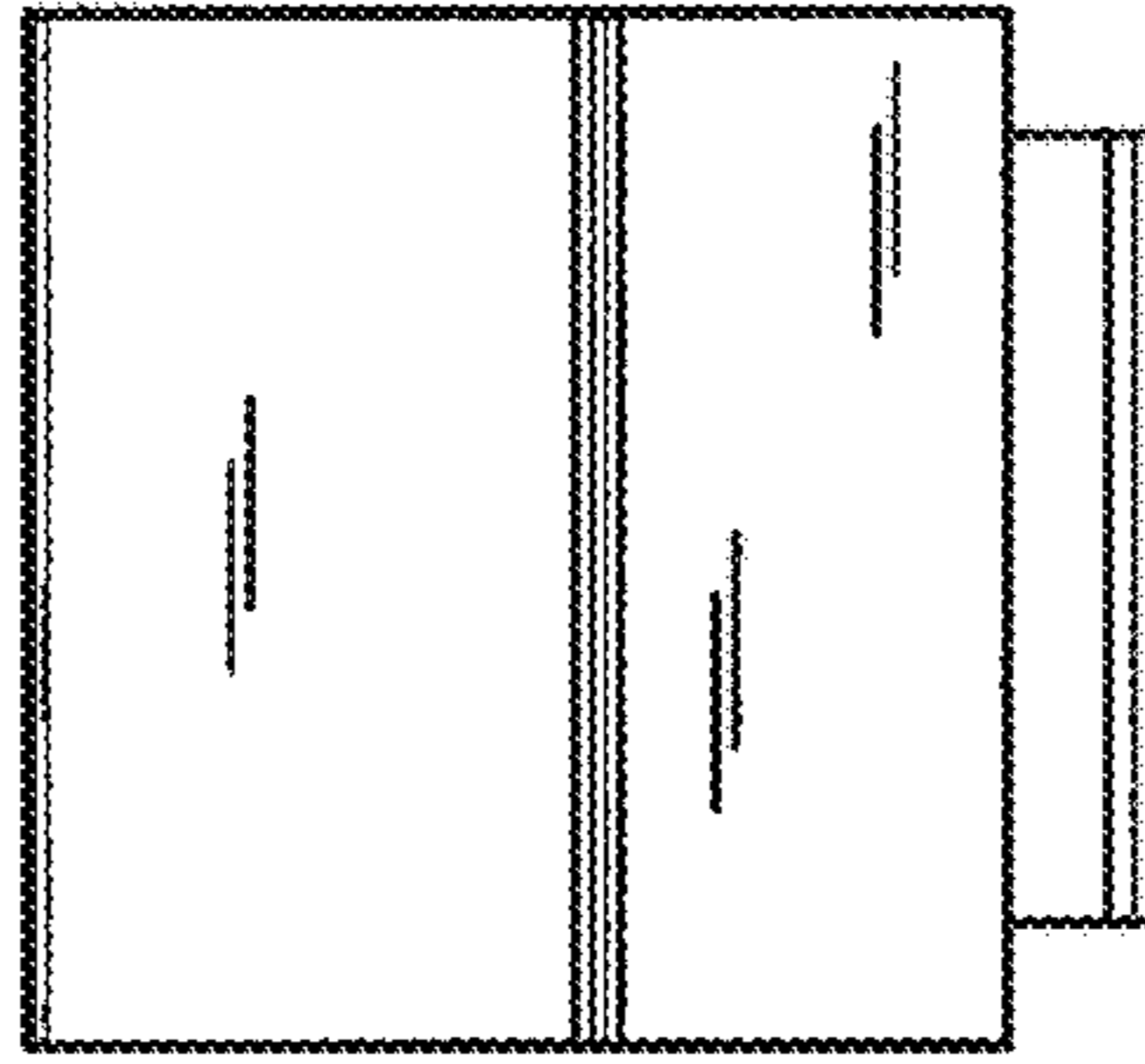


Fig. 6

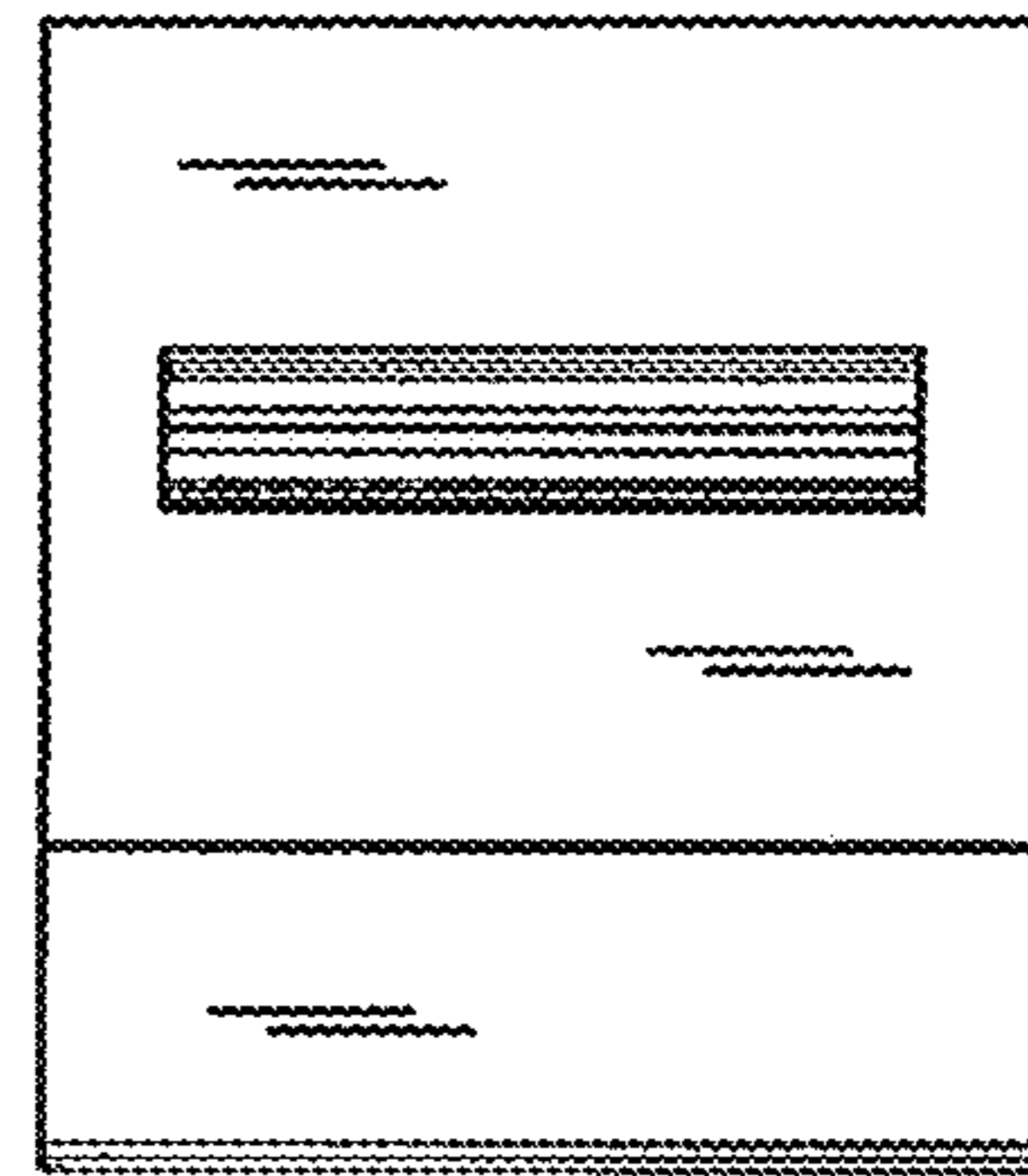


Fig. 7

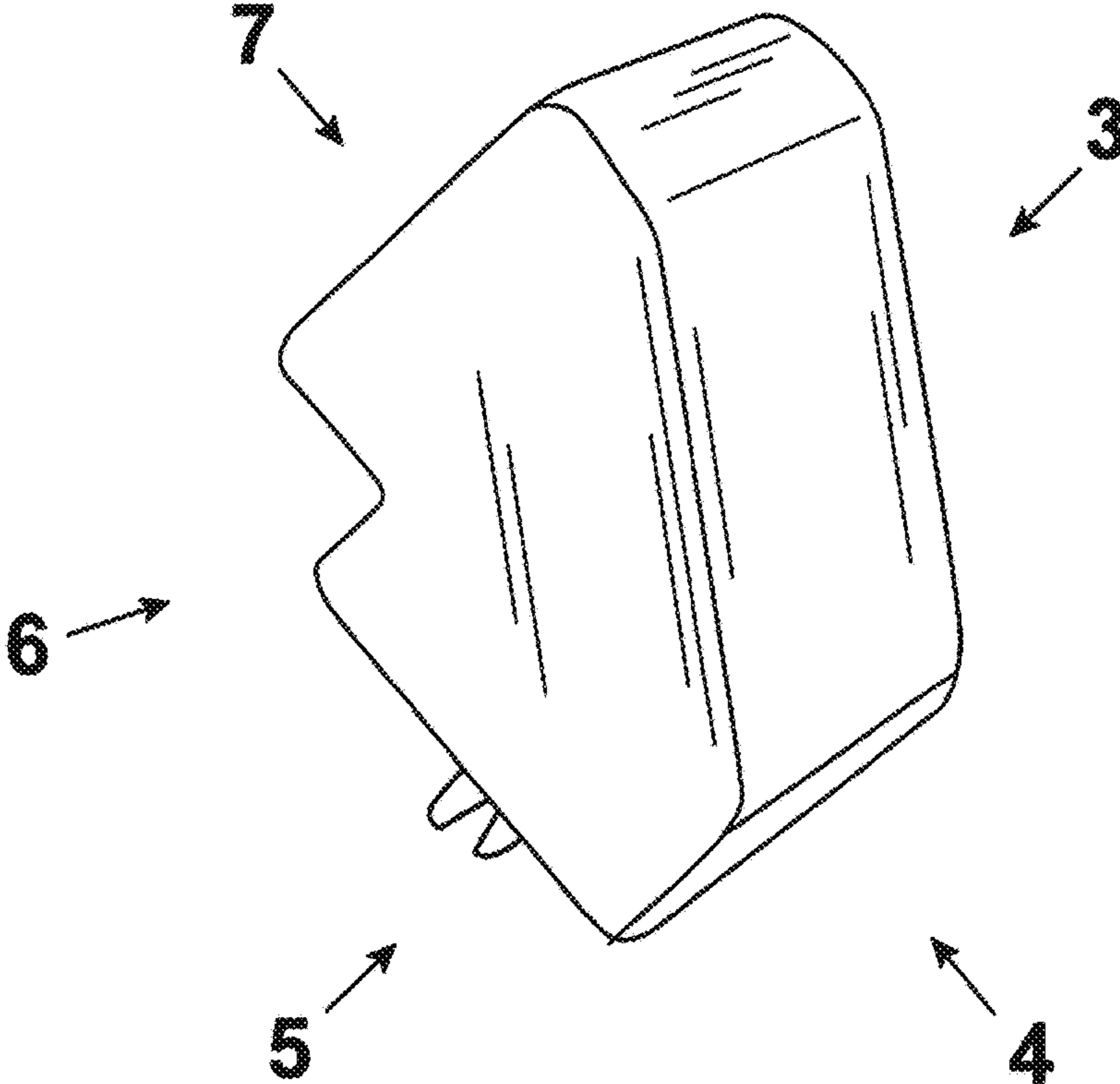


Fig.8