



US00D828823S

(12) **United States Design Patent**
Lin

(10) **Patent No.:** **US D828,823 S**
(45) **Date of Patent:** **** Sep. 18, 2018**

(54) **EARPHONE**
(71) Applicant: **SHENZHEN DACOM ELECTRONICS CO., LTD.**, Longang District, Shenzhen (CN)
(72) Inventor: **Chuqiang Lin**, Shenzhen (CN)
(73) Assignee: **Shenzhen Dacom Electronics Co., Ltd.**, Shenzhen (CN)
(**) Term: **15 Years**
(21) Appl. No.: **29/598,502**
(22) Filed: **Mar. 27, 2017**

(30) **Foreign Application Priority Data**
Sep. 26, 2016 (CN) 2016 3 0482843
(51) **LOC (11) Cl.** **14-01**
(52) **U.S. Cl.**
USPC **D14/223**
(58) **Field of Classification Search**
USPC D14/223, 205; 181/129, 130, 135;
379/430, 431; 381/380, 381, 374, 370,
381/371, 328, 345, 183; 455/90.3, 575.1,
455/569.1
CPC H04R 1/10; H04R 25/00; H04R 1/1016;
H04R 1/1066; H04R 5/0335; H04R 5/033
See application file for complete search history.

(56) **References Cited**
U.S. PATENT DOCUMENTS
1,406,510 A * 2/1922 Weber H04R 1/1016
381/328
4,864,610 A * 9/1989 Stevens H04M 1/05
181/130
D337,589 S * 7/1993 Wada D14/223
D340,932 S * 11/1993 Yan D14/249

5,420,935 A * 5/1995 Shinohara H04R 1/1016
379/431
6,411,722 B1 * 6/2002 Wolf H04R 1/1058
381/370
6,574,345 B1 * 6/2003 Huang H04R 1/1016
379/430
6,668,064 B1 * 12/2003 Lin H04R 1/1016
381/328
D499,397 S * 12/2004 Hlas D14/223
D515,070 S * 2/2006 Andre D14/205
D523,846 S * 6/2006 Lee D14/205
D533,868 S * 12/2006 Koizumi D14/223
D542,782 S * 5/2007 Pena Angarita D14/223
D554,627 S * 11/2007 Gondo D14/223
D555,152 S * 11/2007 Wang D14/223
7,349,550 B2 * 3/2008 Oliveira H04R 1/10
381/374

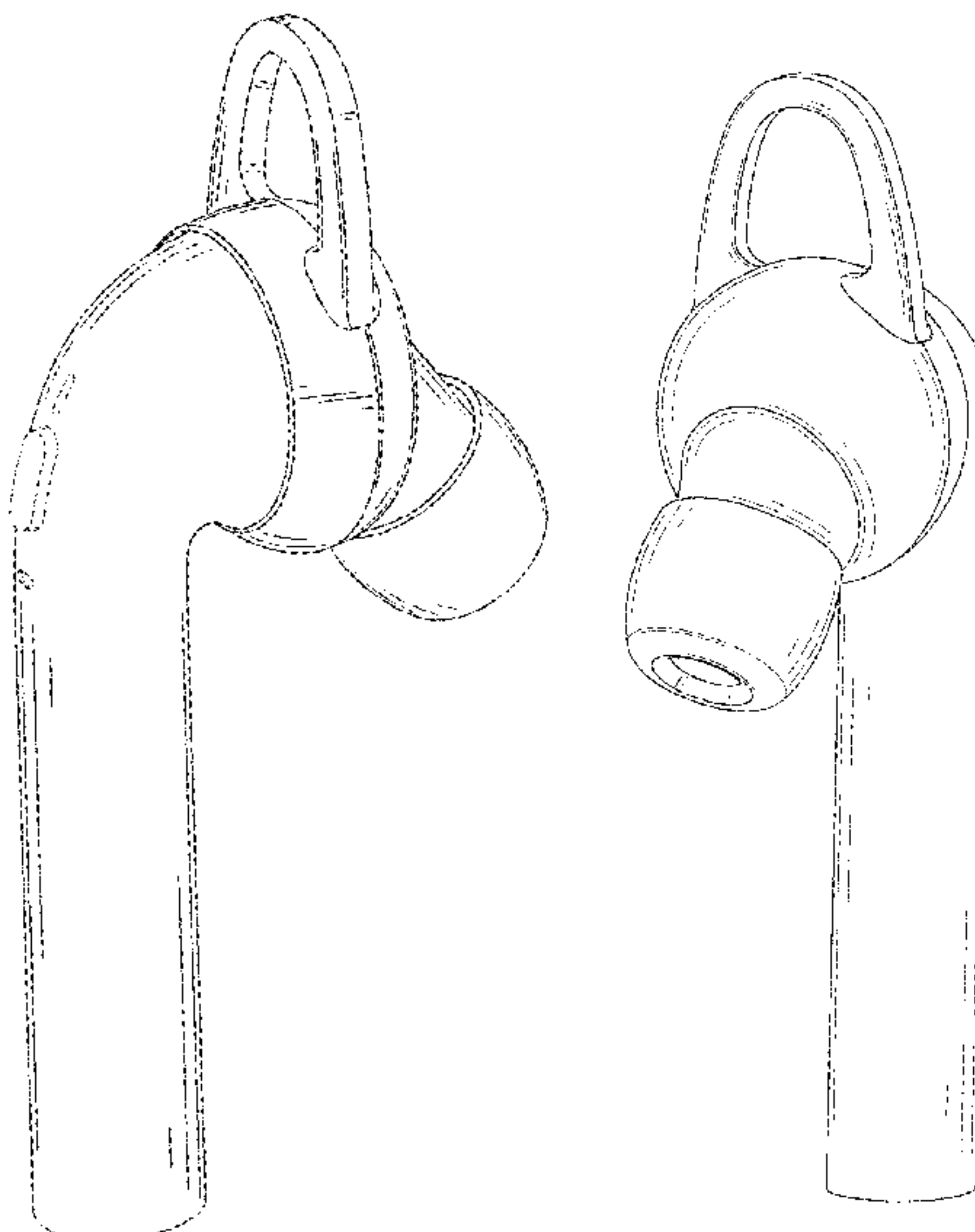
(Continued)

Primary Examiner — Paula Allen Greene
(74) *Attorney, Agent, or Firm* — Loza & Loza, LLP;
Michael Fedrick

(57) **CLAIM**
The ornamental design for an earphone, as shown and described.

DESCRIPTION
FIG. 1 is a first perspective view of the earphone of the present invention;
FIG. 2 is a front view thereof;
FIG. 3 is a rear view thereof;
FIG. 4 is a left side view thereof;
FIG. 5 is a right side view thereof;
FIG. 6 is a top view thereof;
FIG. 7 is a bottom view thereof; and,
FIG. 8 is a second perspective view thereof.
The ornamental design which is claimed is shown in solid lines in the drawings. The broken lines in the drawings are for illustrative purposes only and form no part of the claimed design. Broken lines show unclaimed portions of the design.

1 Claim, 8 Drawing Sheets



(56)

References Cited

U.S. PATENT DOCUMENTS

D566,687 S * 4/2008 Duarte D14/205
 D583,804 S * 12/2008 Mahler D14/223
 D586,332 S * 2/2009 Ewert D14/223
 D591,721 S * 5/2009 Densho D14/205
 D591,722 S * 5/2009 Densho D14/205
 D605,636 S * 12/2009 Yang D14/223
 D614,172 S * 4/2010 Brennwald D14/223
 D627,765 S * 11/2010 Zheng D14/223
 7,864,974 B2 * 1/2011 Chen H04R 1/1016
 181/130
 D639,279 S * 6/2011 Andre D14/223
 D641,738 S * 7/2011 Perez D14/223
 D643,417 S * 8/2011 Lee D14/223
 D653,235 S * 1/2012 McManigal D14/205
 D656,481 S * 3/2012 McManigal D14/205
 D662,495 S * 6/2012 Andre D14/223
 8,265,323 B2 * 9/2012 Stiehl B29C 45/0025
 381/371

D671,531 S * 11/2012 Kim D14/223
 D673,531 S * 1/2013 Lee D14/223
 D687,418 S * 8/2013 Godfrey D14/223
 D697,050 S * 1/2014 Thompson D14/206
 8,712,087 B2 * 4/2014 Ozawa H04R 1/345
 181/130
 D738,864 S * 9/2015 Lee D14/223
 D741,287 S * 10/2015 Harata D14/205
 D747,702 S * 1/2016 Breines D14/223
 D762,196 S * 7/2016 Hsieh D14/223
 D803,184 S * 11/2017 Loh Jun Kern D14/205
 2009/0233652 A1 * 9/2009 Yang H04R 1/1075
 455/569.1
 2010/0246879 A1 * 9/2010 Siahaan B29C 43/021
 381/380
 2011/0176699 A1 * 7/2011 Lin H04R 1/1016
 381/374
 2012/0087533 A1 * 4/2012 Nageno H04R 11/02
 381/380

* cited by examiner

Figure 1

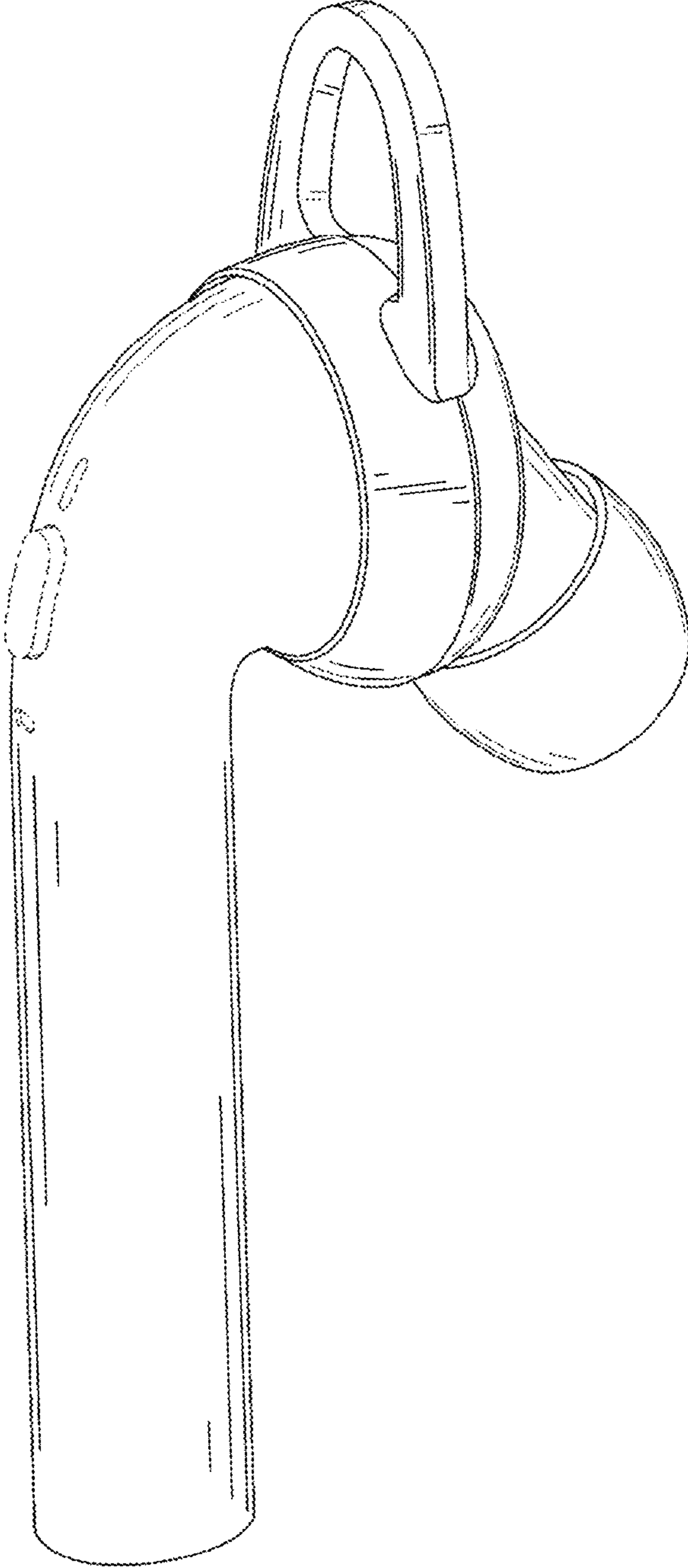


Figure 2

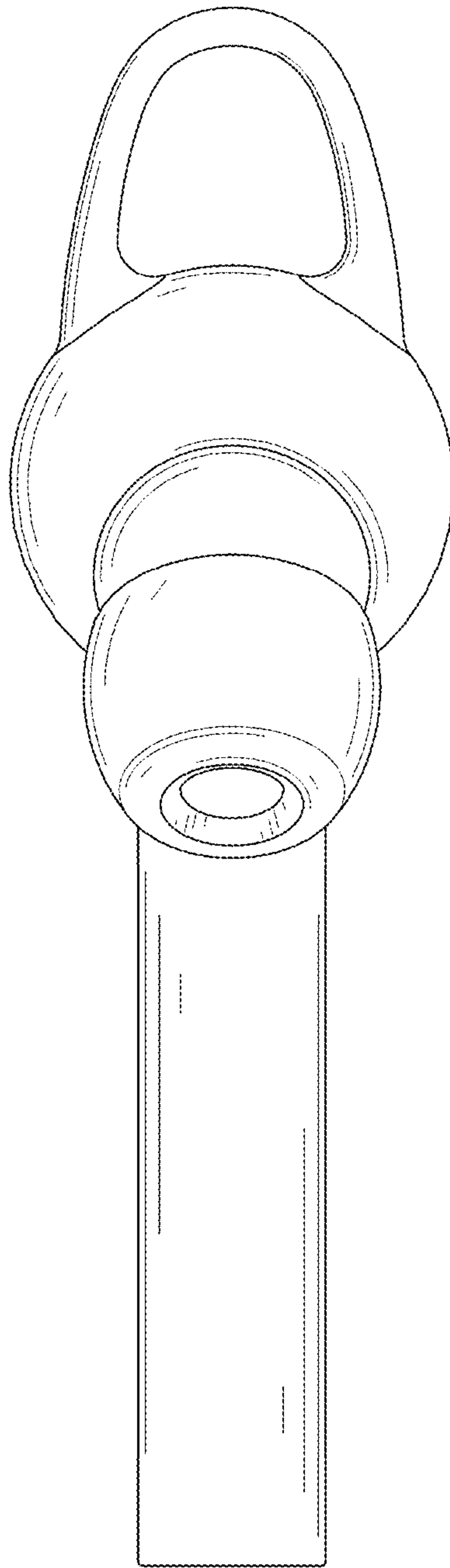


Figure 3

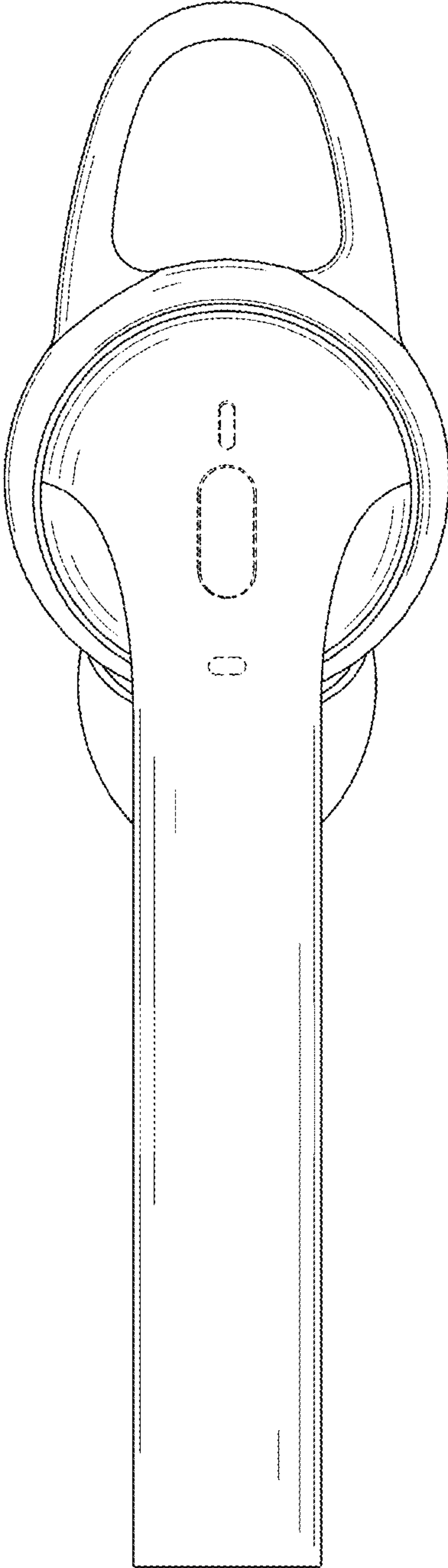


Figure 4

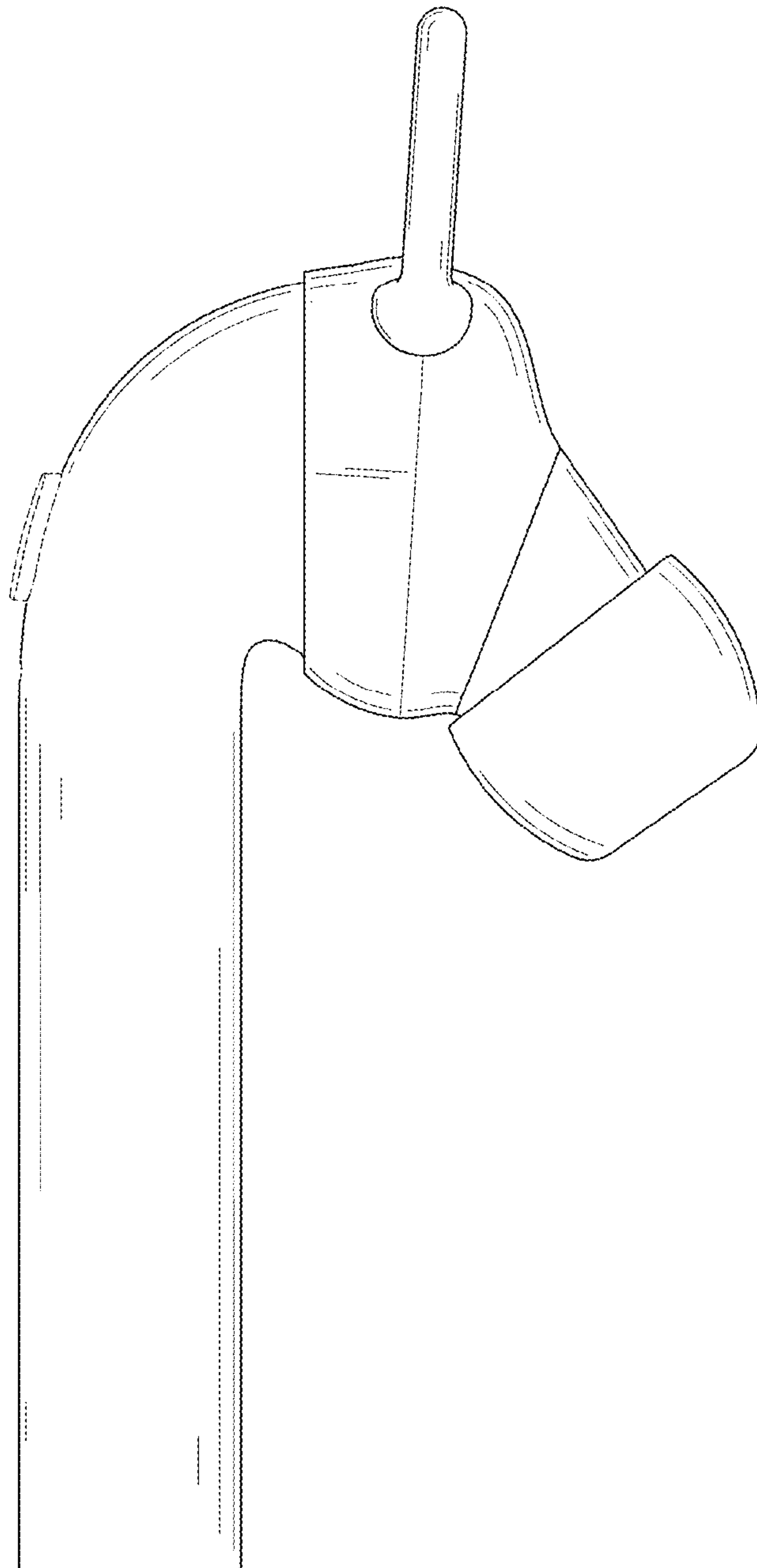


Figure 5

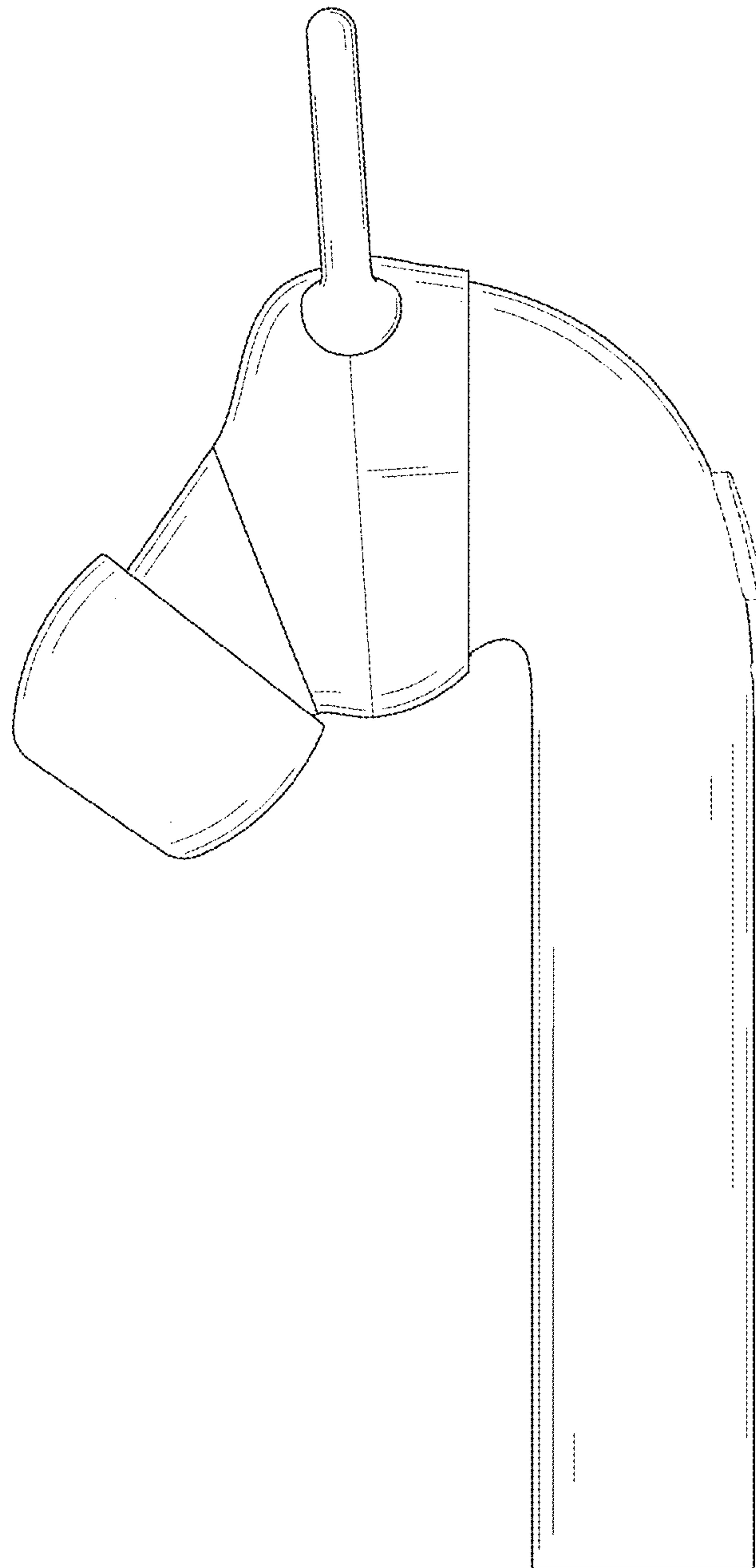


Figure 6

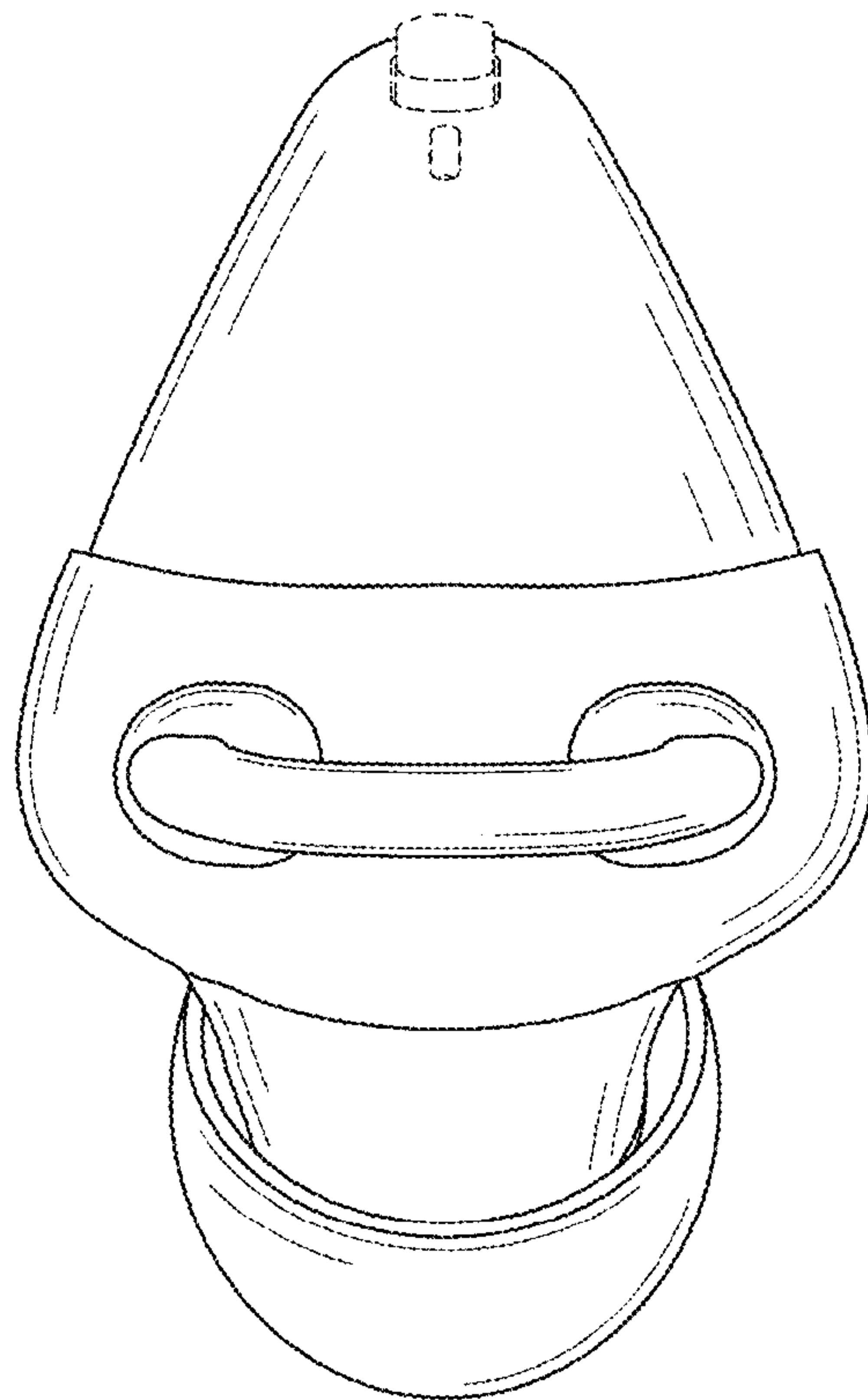


Figure 7

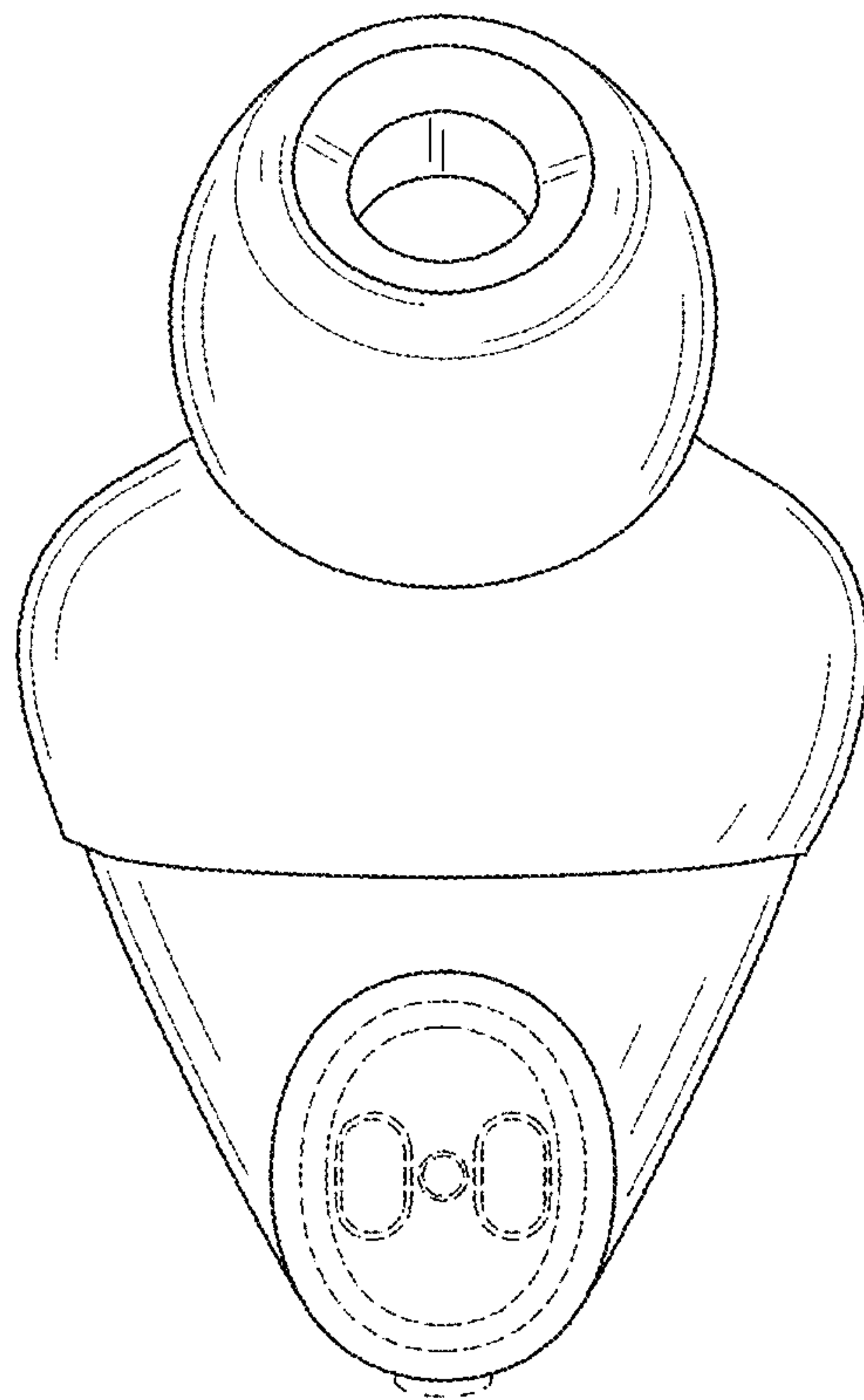


Figure 8

