



US00D828822S

(12) **United States Design Patent** (10) **Patent No.:** **US D828,822 S**
Dallmeyer et al. (45) **Date of Patent:** **** Sep. 18, 2018**

(54) **STRAP HOLDER**

(71) Applicant: **Oculus VR, LLC**, Menlo Park, CA (US)

(72) Inventors: **Scott Andrew Dallmeyer**, Seattle, WA (US); **Shane Michael Ellis**, Bellevue, WA (US); **Peter Wesley Bristol**, Seattle, WA (US); **Mauricio Romano**, Redmond, WA (US)

(73) Assignee: **Oculus VR, LLC**, Menlo Park, CA (US)

(**) Term: **15 Years**

(21) Appl. No.: **29/603,909**

(22) Filed: **May 12, 2017**

(51) **LOC (11) Cl.** **14-03**

(52) **U.S. Cl.**
USPC **D14/217**

(58) **Field of Classification Search**
USPC D14/217, 218, 201, 301, 372, 303, 250, D14/440, 447, 432, 434, 439, 451, 452, D14/457, 239; D6/406.3, 406.4, 406.5, D6/406.6; D8/363, 373, 380; D3/218, D3/201, 301, 303
CPC G06T 19/006; G06T 15/04; G06T 11/001; G06T 11/60; G06T 17/00; G06T 19/00; G06T 19/20; G06T 2200/04; G06T 2207/10021; G06T 7/70; G06T 7/85; G06T 11/206; G06T 13/20; G06T 13/40; G06T 15/005; G06T 15/08; G06T 15/20; G06T 2200/24; G06T 2207/10028; G06T 2207/20182; G06T 2207/30041; G06T 2207/30196; G06T 2207/30201; G06T 2207/30244; G06T 2210/36; G06T 2215/12; G06T 2215/16; G06T 2219/2004; G06T 2219/2021; G06T 3/0006; G06T 3/0093

See application file for complete search history.

(56) **References Cited**

U.S. PATENT DOCUMENTS

D338,339	S	*	8/1993	Anderson	D3/327
D355,229	S	*	2/1995	Mugnolo	D21/683
D553,697	S	*	10/2007	Hallar	D21/682
D650,531	S	*	12/2011	Young	D29/120.1
D713,049	S	*	9/2014	Shah	D24/200
D721,373	S	*	1/2015	Logereau	D14/432
D721,376	S	*	1/2015	Lee	D14/440
D743,409	S	*	11/2015	Chen	D14/447

(Continued)

FOREIGN PATENT DOCUMENTS

CN 204925511 U 12/2015

OTHER PUBLICATIONS

PCT International Search Report and Written Opinion, PCT Application No. PCT/US2017/068817, dated Apr. 23, 2018, 19 pages.

Primary Examiner — Mitchell I. Siegel

Assistant Examiner — Khawaja Anwar

(74) *Attorney, Agent, or Firm* — Fenwick & West LLP

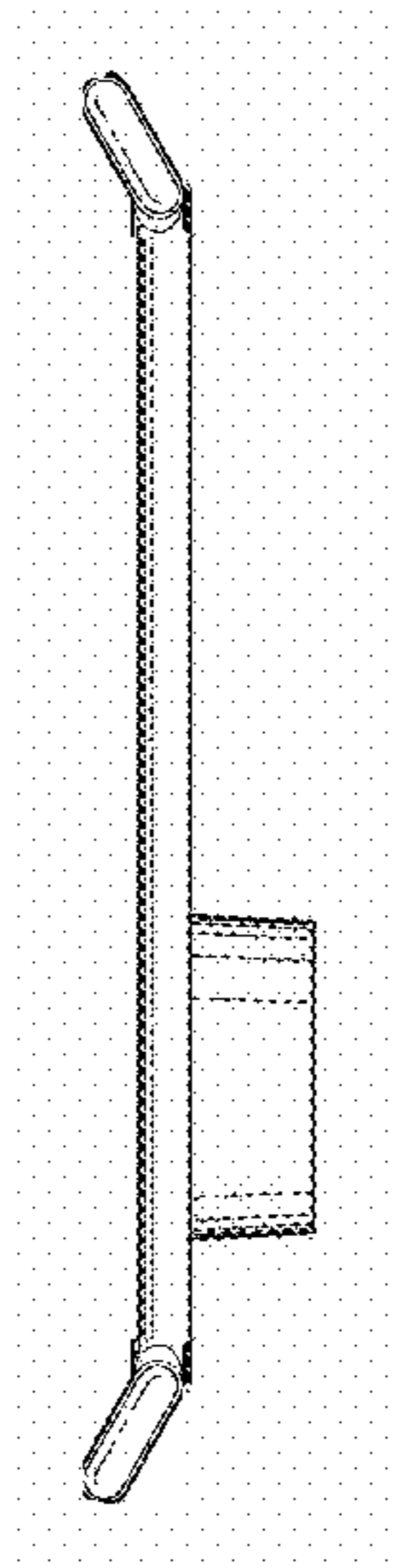
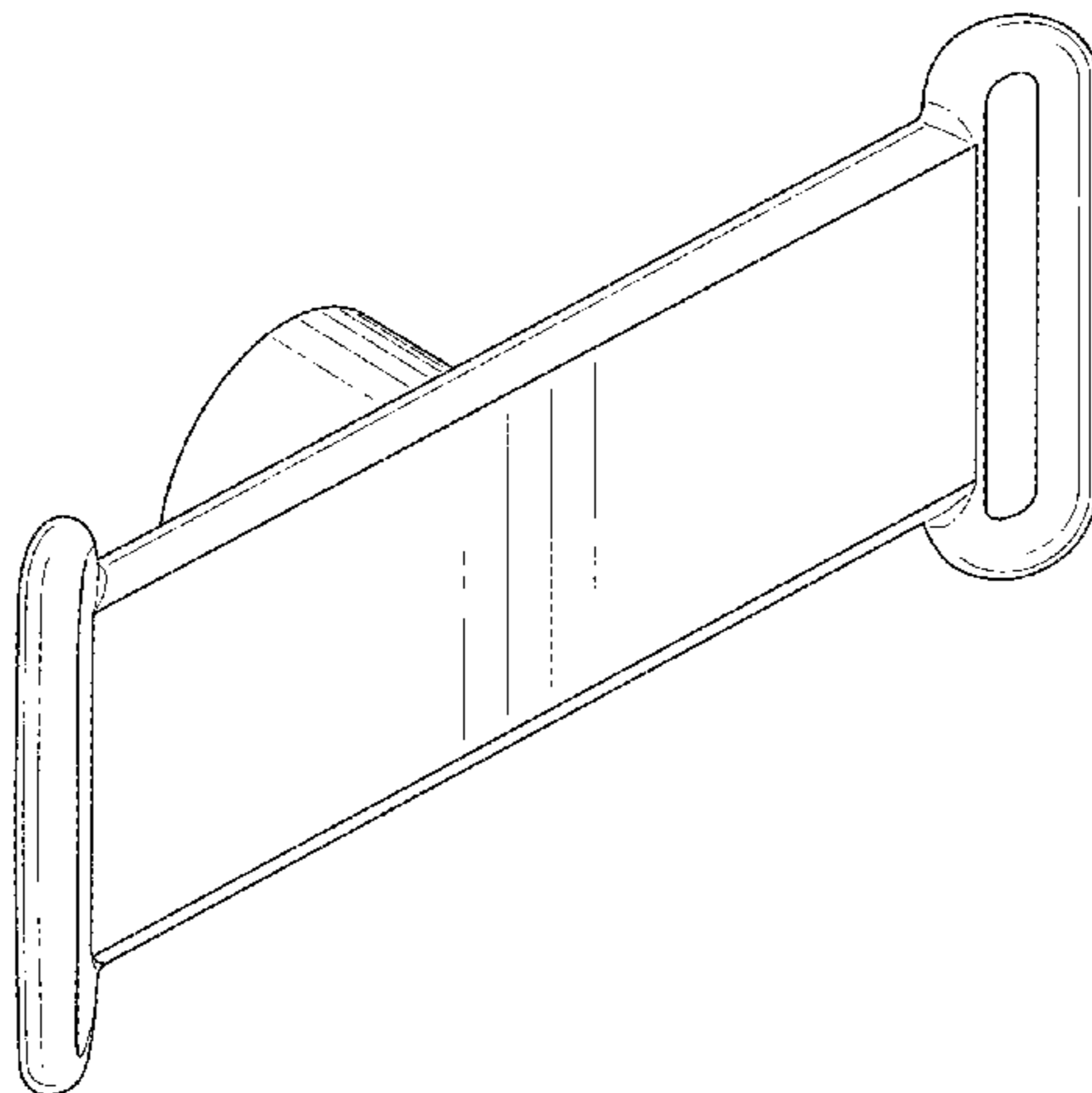
(57) **CLAIM**

The ornamental design for a strap holder, as shown and described.

DESCRIPTION

FIG. 1 is a first perspective view of a strap holder; FIG. 2 is a second perspective view thereof; FIG. 3 is a front view thereof; FIG. 4 is a rear view thereof; FIG. 5 is a left side view thereof; FIG. 6 is a right side view thereof; FIG. 7 is a top view thereof; and, FIG. 8 is a bottom view thereof. The broken lines in the figures form no part of the claimed design.

1 Claim, 8 Drawing Sheets



(56)

References Cited

U.S. PATENT DOCUMENTS

D747,042 S * 1/2016 Busuttil D29/113
D768,137 S * 10/2016 Ju D14/440
D799,121 S * 10/2017 Jacobs D29/113
D811,729 S * 3/2018 Bysshe D3/218
D812,170 S * 3/2018 Henderson D21/771
2007/0030442 A1 2/2007 Howell et al.
2011/0267748 A1* 11/2011 Lane A45F 5/00
361/679.01
2014/0152034 A1* 6/2014 Tussy F16M 13/04
294/142
2014/0268016 A1 9/2014 Chow et al.
2016/0103339 A1 4/2016 White et al.
2016/0249124 A1 8/2016 Drinkwater et al.

* cited by examiner

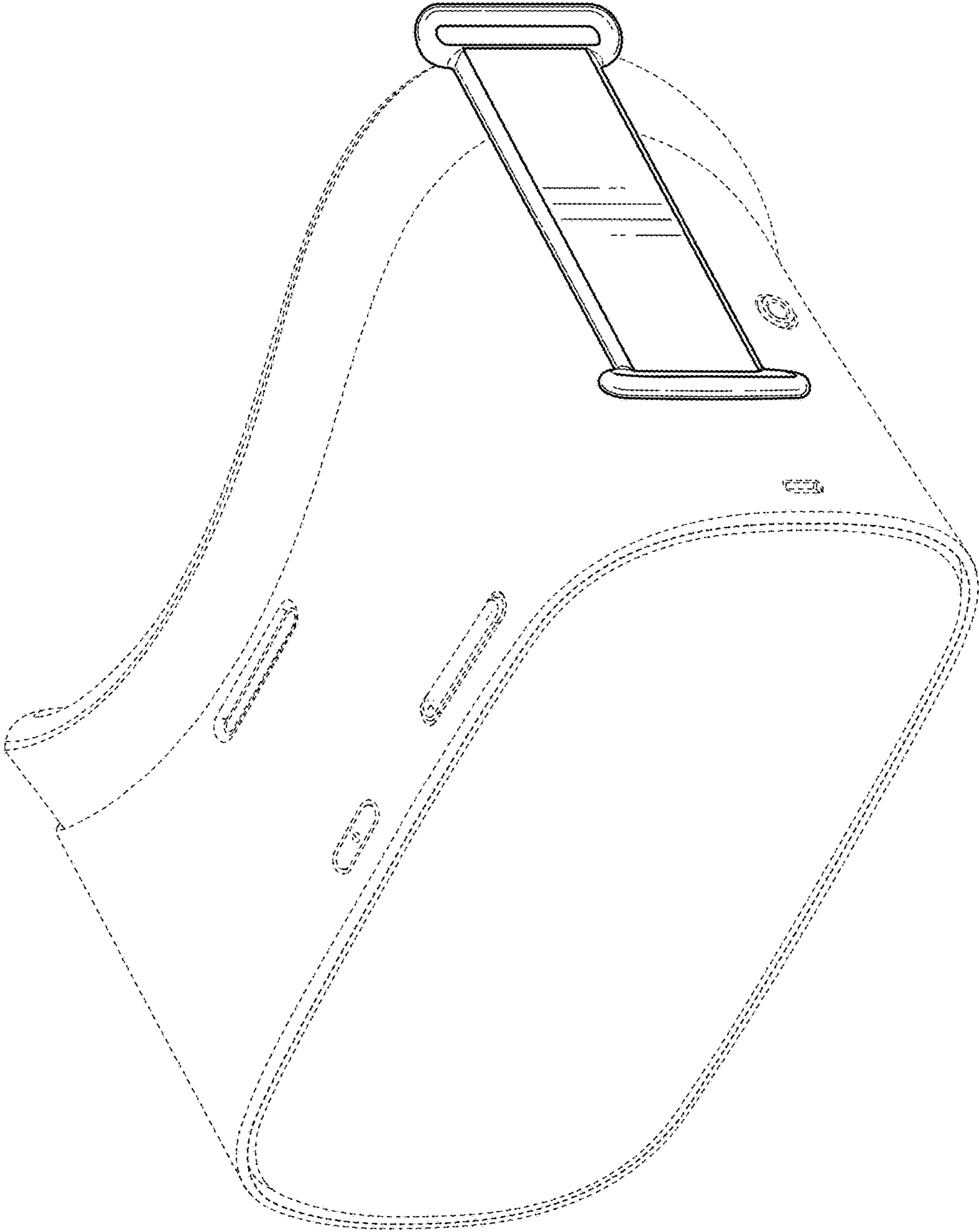


FIG. 1

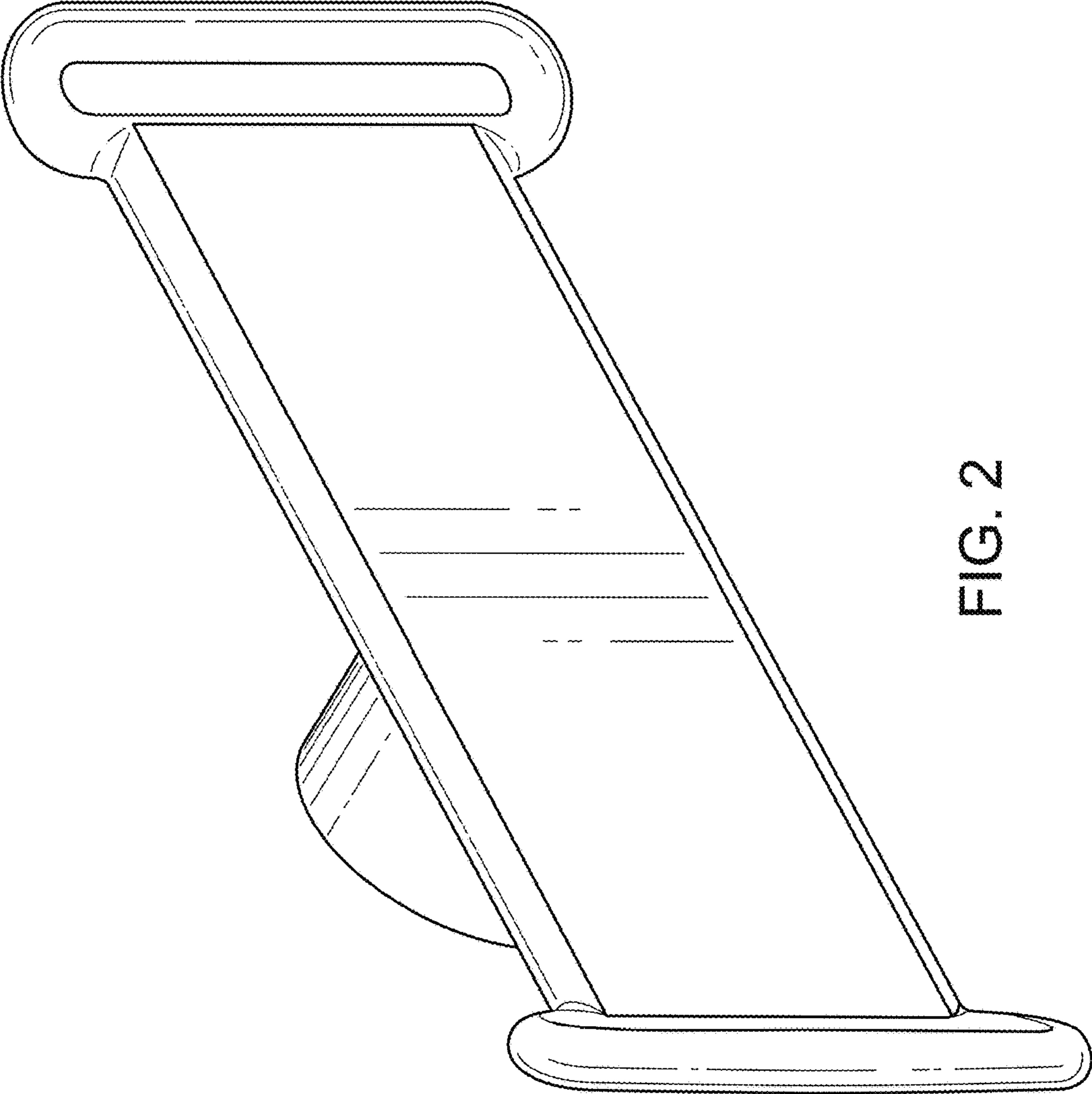


FIG. 2

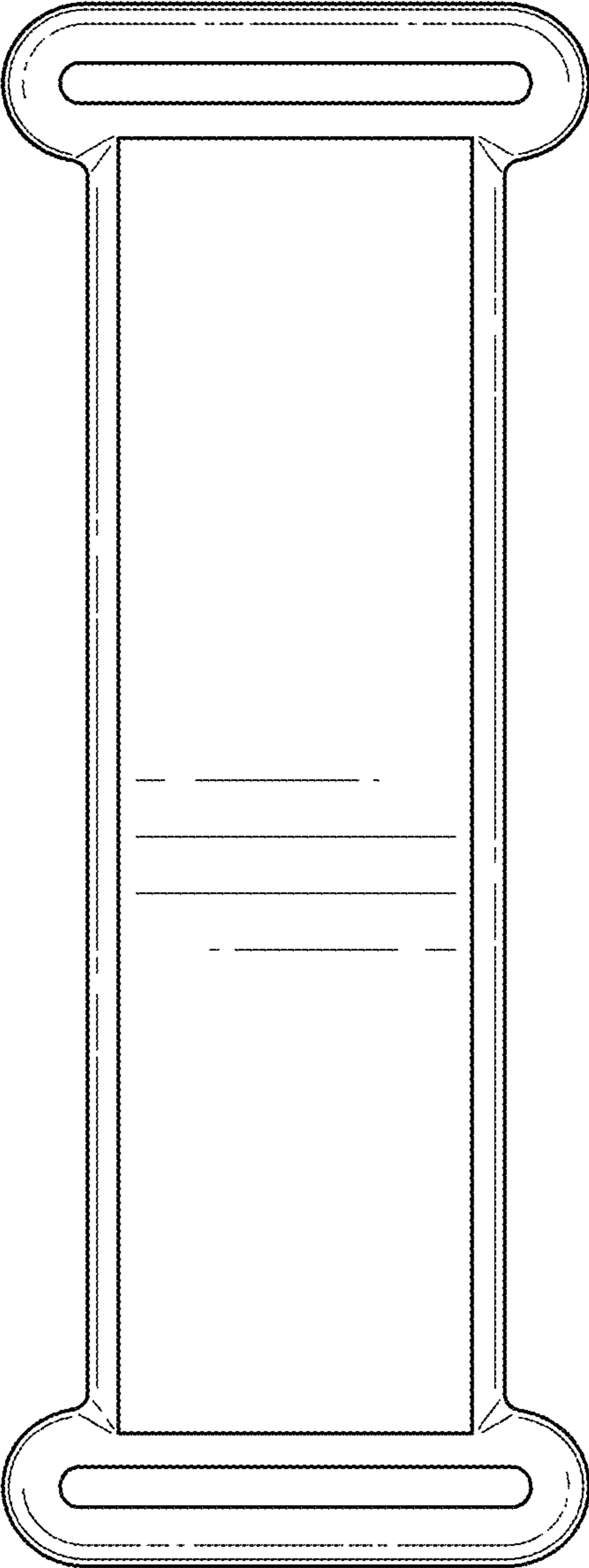


FIG. 3

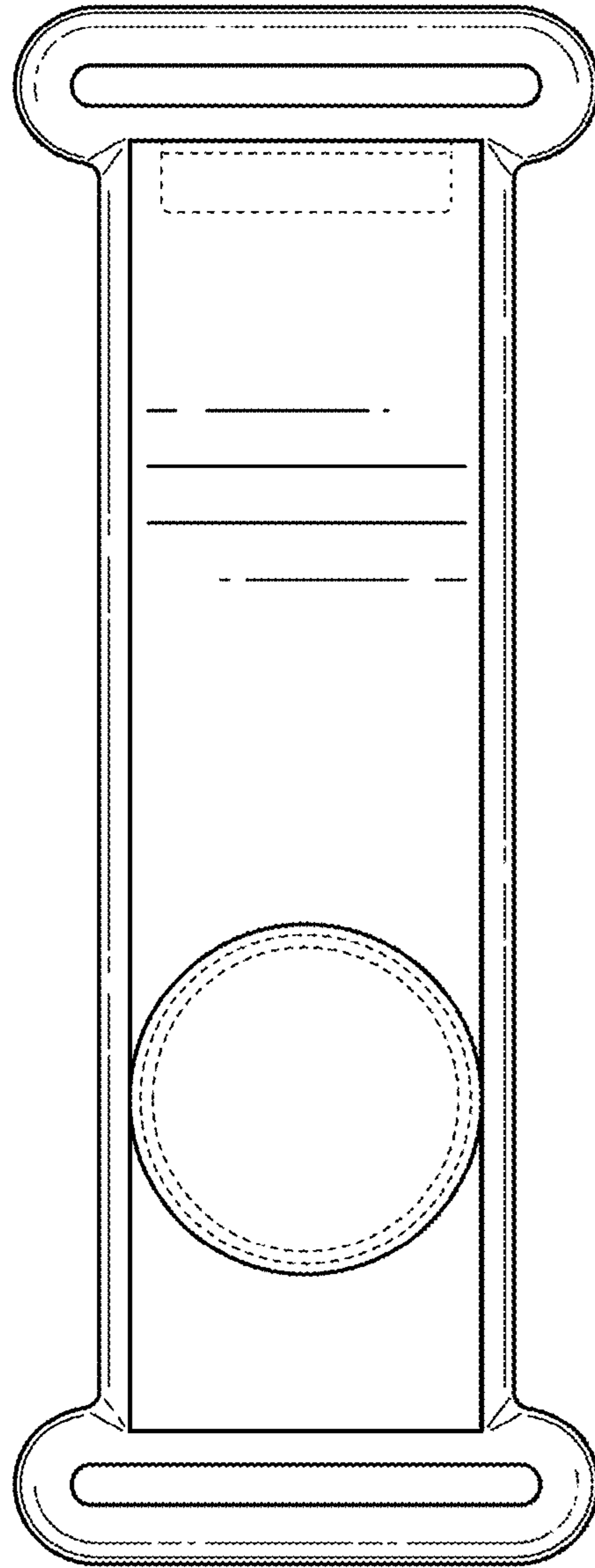


FIG. 4

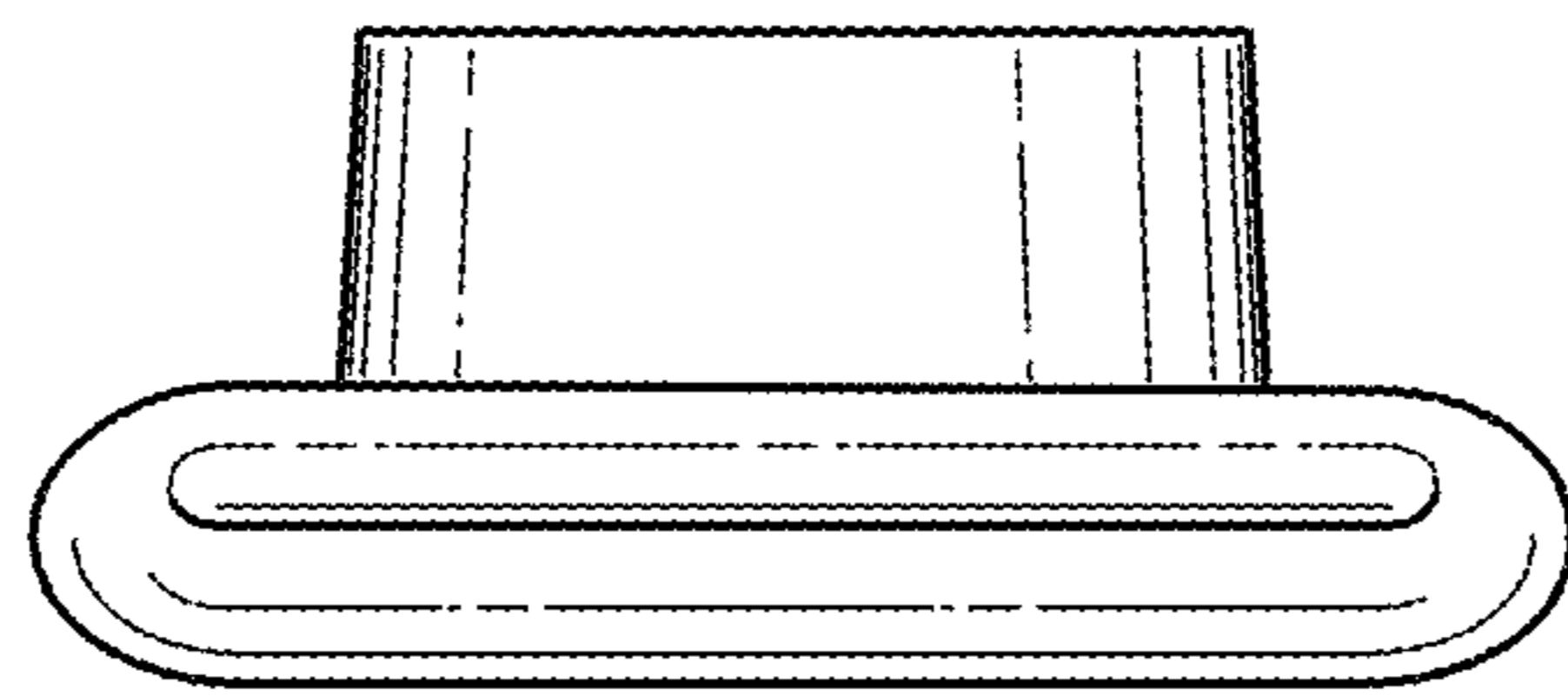


FIG. 5

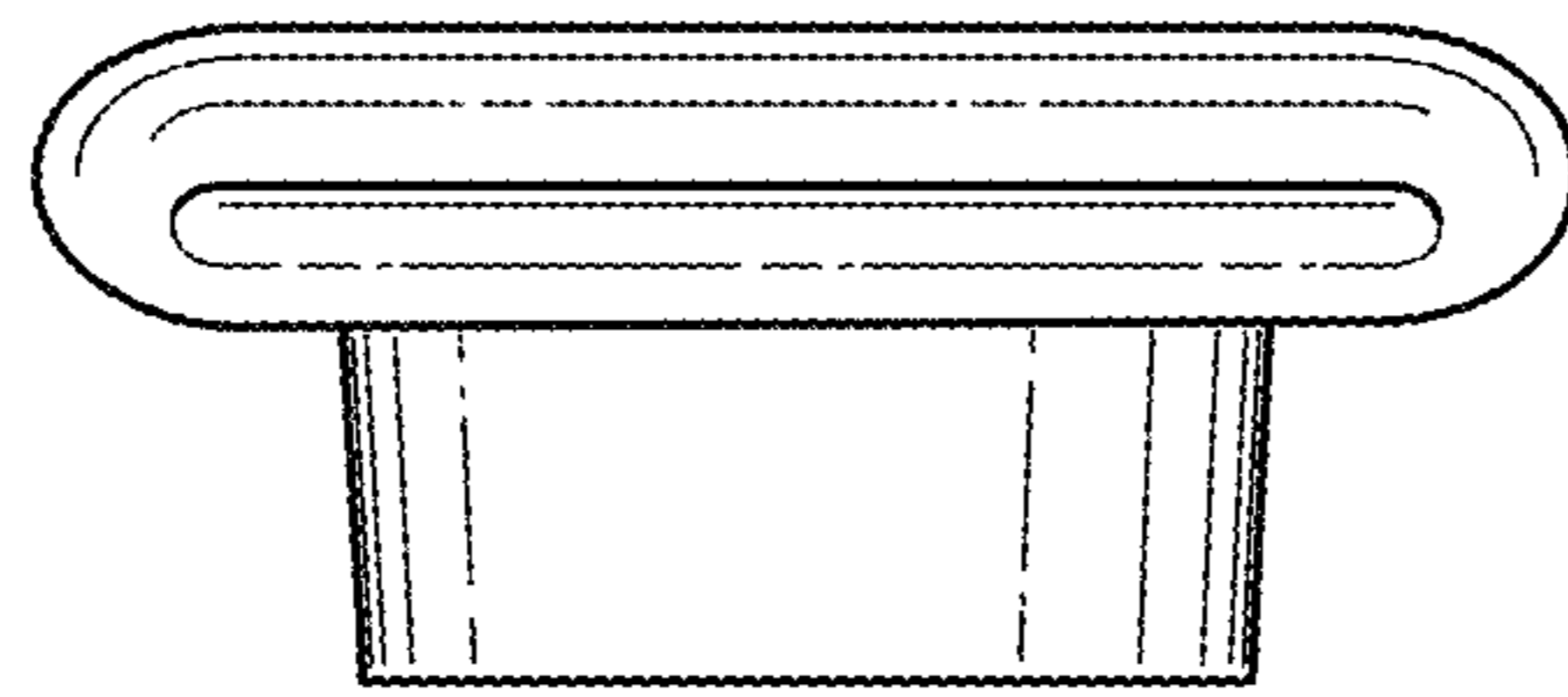


FIG. 6

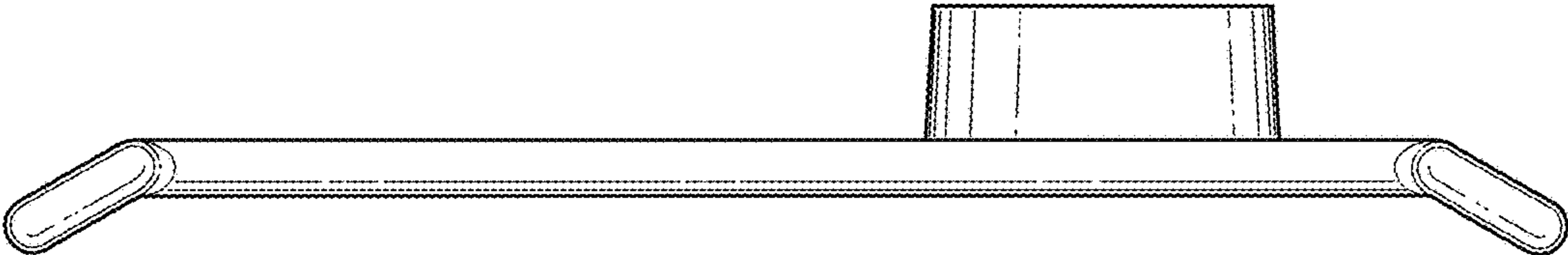


FIG. 7

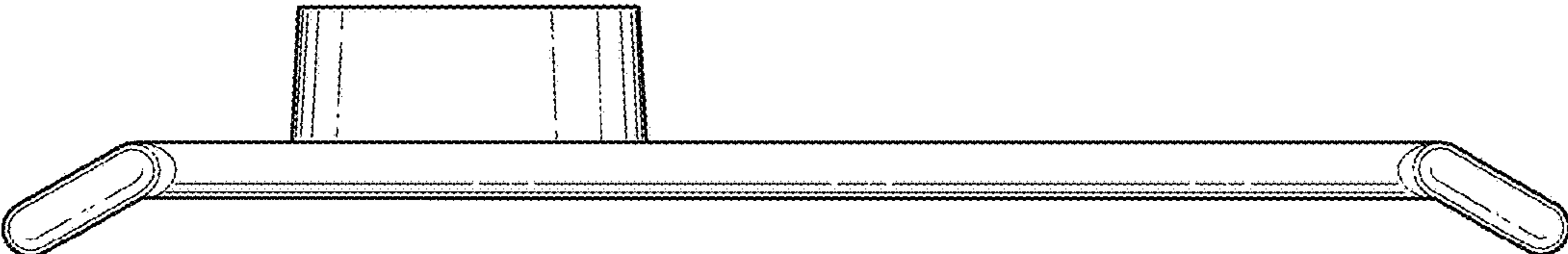


FIG. 8