



US00D828821S

(12) **United States Design Patent** (10) **Patent No.:** **US D828,821 S**
Farr (45) **Date of Patent:** **** Sep. 18, 2018**

(54) **LOUDSPEAKER**
(71) Applicant: **Audio Design Experts, Inc.**, Fountain Valley, CA (US)
(72) Inventor: **Thomas Richard Farr**, Irvine, CA (US)
(73) Assignee: **Audio Design Experts, Inc.**, Fountain Valley, CA (US)
(**) Term: **15 Years**
(21) Appl. No.: **29/576,187**
(22) Filed: **Aug. 31, 2016**
(51) **LOC (11) Cl.** **14-01**
(52) **U.S. Cl.**
USPC **D14/204**
(58) **Field of Classification Search**
USPC D14/167, 168, 170–172, 188, 204, 209.1, D14/210–216, 219, 221, 222, 224; 181/144, 148, 153, 157, 198; 369/6–12; 381/301–303, 306, 332, 334, 336, 345, 381/361–363, 386–388
CPC G06F 1/1688; H04R 1/02; H04R 1/025; H04R 1/026; H04R 1/323; H04R 1/403; H04R 1/2803; H04R 1/2834; H04R 5/02; H04R 9/06; H04R 2201/021; H04R 2400/00; H04R 2400/07; H04R 2499/11
See application file for complete search history.

D484,853 S * 1/2004 Alviar D13/110
D602,019 S * 10/2009 Wang D14/356
D615,556 S * 5/2010 Yeo D14/203.3
D660,229 S * 5/2012 Tseng D13/110
D702,185 S * 4/2014 Yata D13/110
D719,976 S * 12/2014 Bang D14/203.1
D734,531 S * 7/2015 Tragatschnig D26/118

* cited by examiner

Primary Examiner — Derrick Edward Holland
Assistant Examiner — Janice Julia Patyk
(74) *Attorney, Agent, or Firm* — UltimatEdge IP Law Group, P.C.; Dean G. Stathakis; Vito A. Canuso, III

(56) **References Cited**
U.S. PATENT DOCUMENTS
D424,564 S * 5/2000 Quaglio D14/197
D470,164 S * 2/2003 Obata D16/237

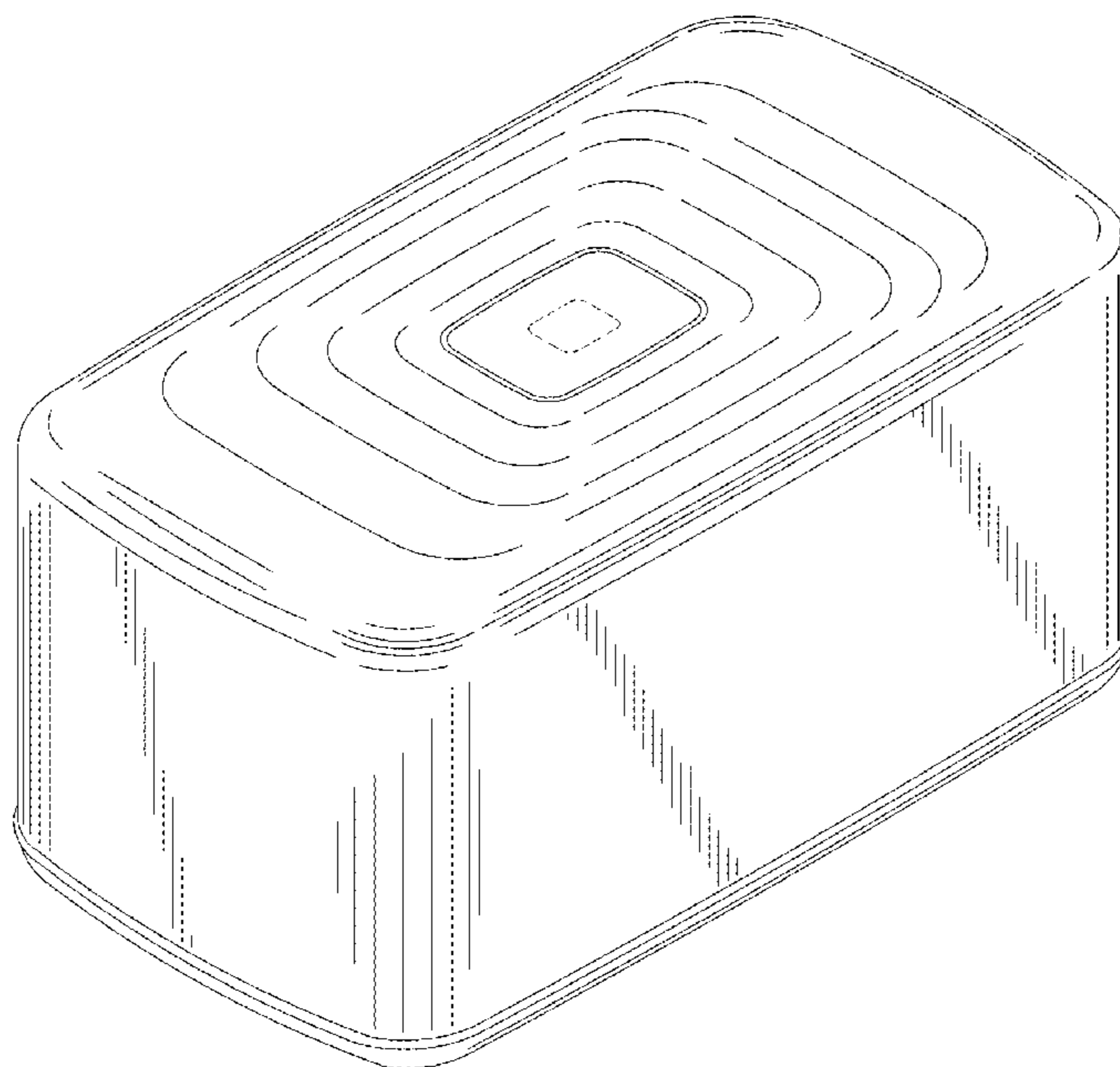
(57) **CLAIM**

The ornamental design for a loudspeaker, as shown and described.

DESCRIPTION

FIG. 1 is a perspective view of a loudspeaker, showing my new design.
FIG. 2 is a front elevational view thereof.
FIG. 3 is a rear elevational view thereof.
FIG. 4 is a bottom view thereof.
FIG. 5 is a top view thereof; and,
FIG. 6 is a right side elevational view thereof, the left side elevational view being a mirror image thereof.
The broken lines in the figures illustrate the portions of the design that form no part of the claimed design.

1 Claim, 4 Drawing Sheets



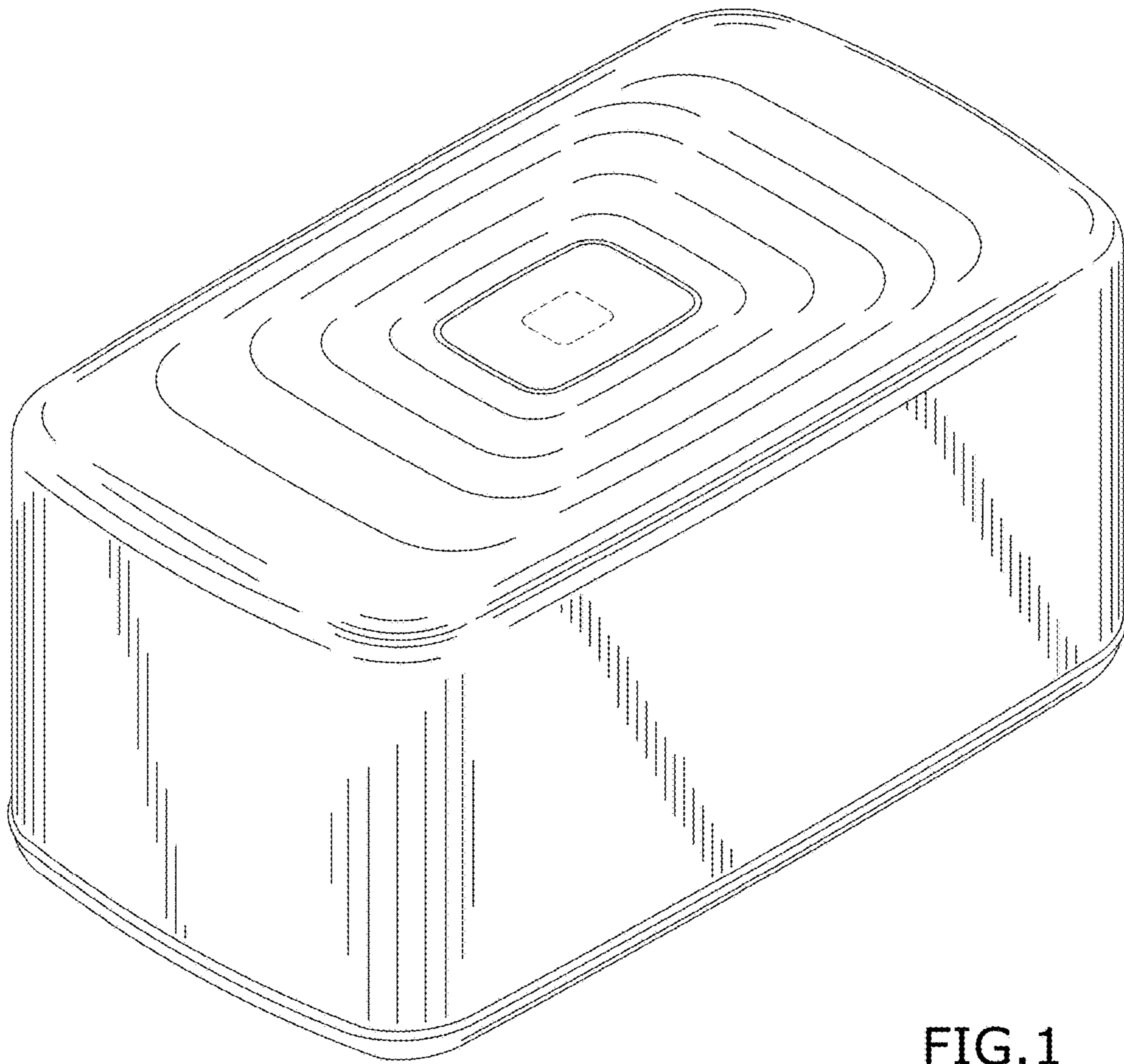


FIG. 1



FIG. 2

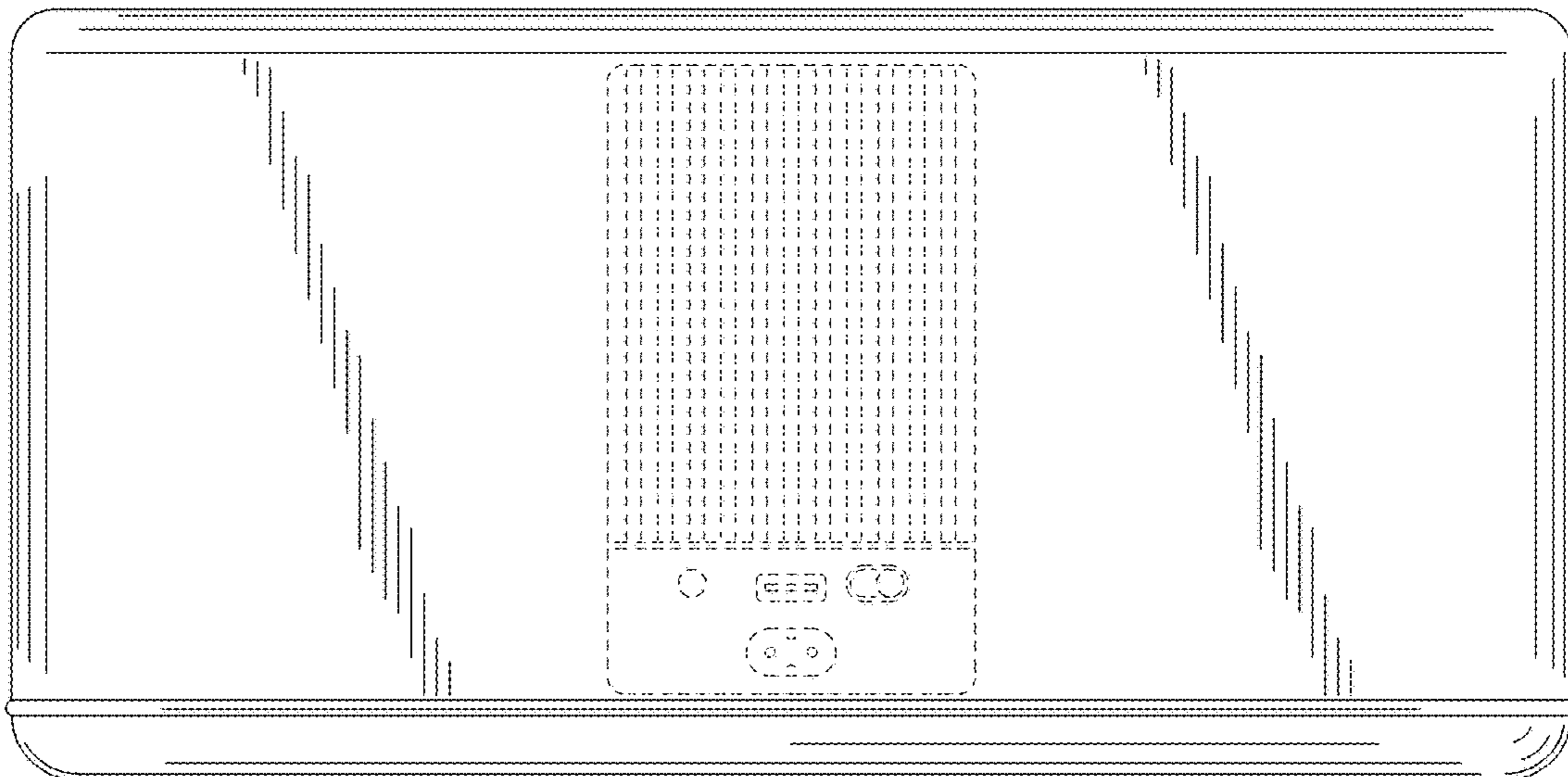


FIG. 3

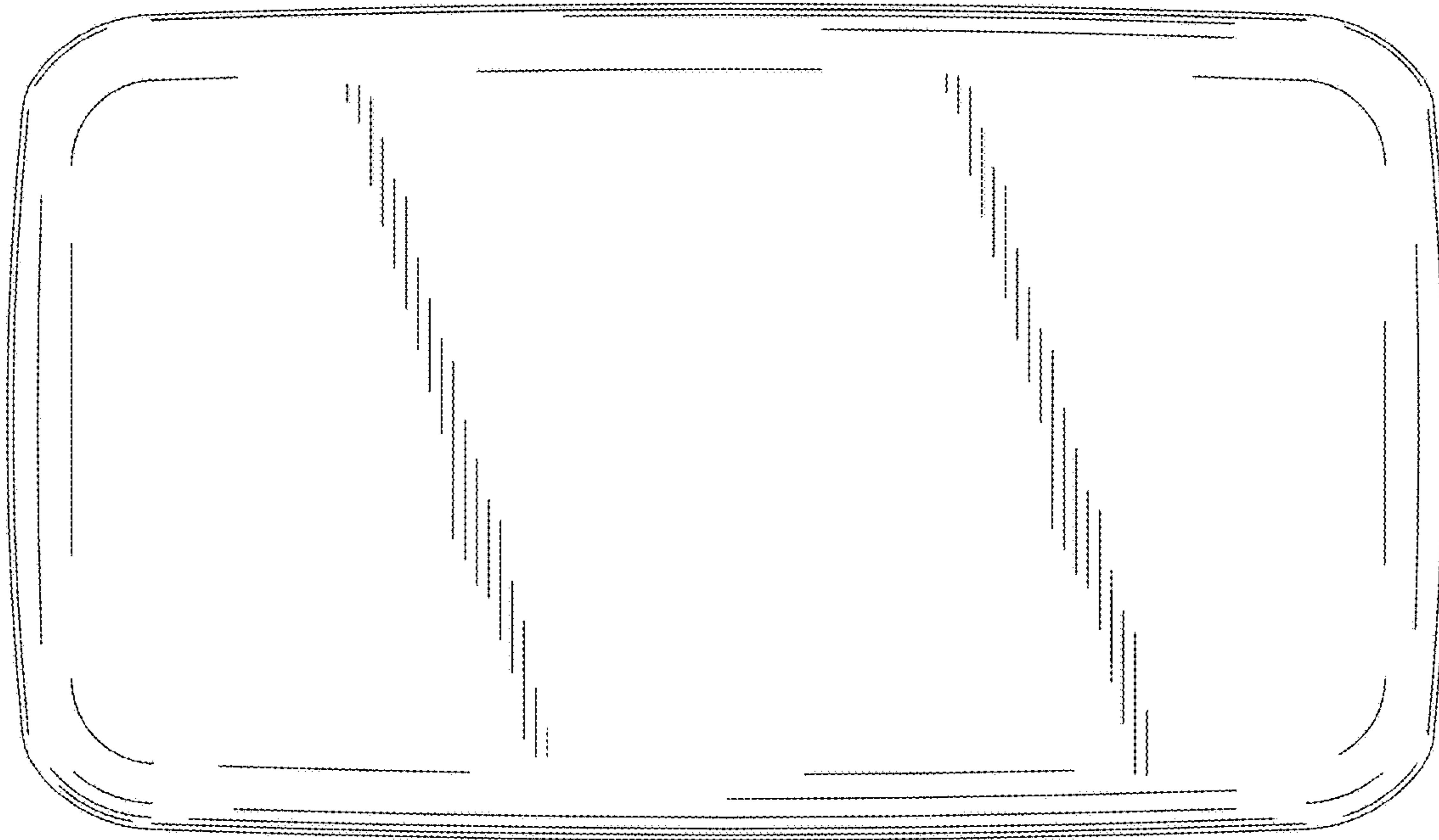


FIG. 4

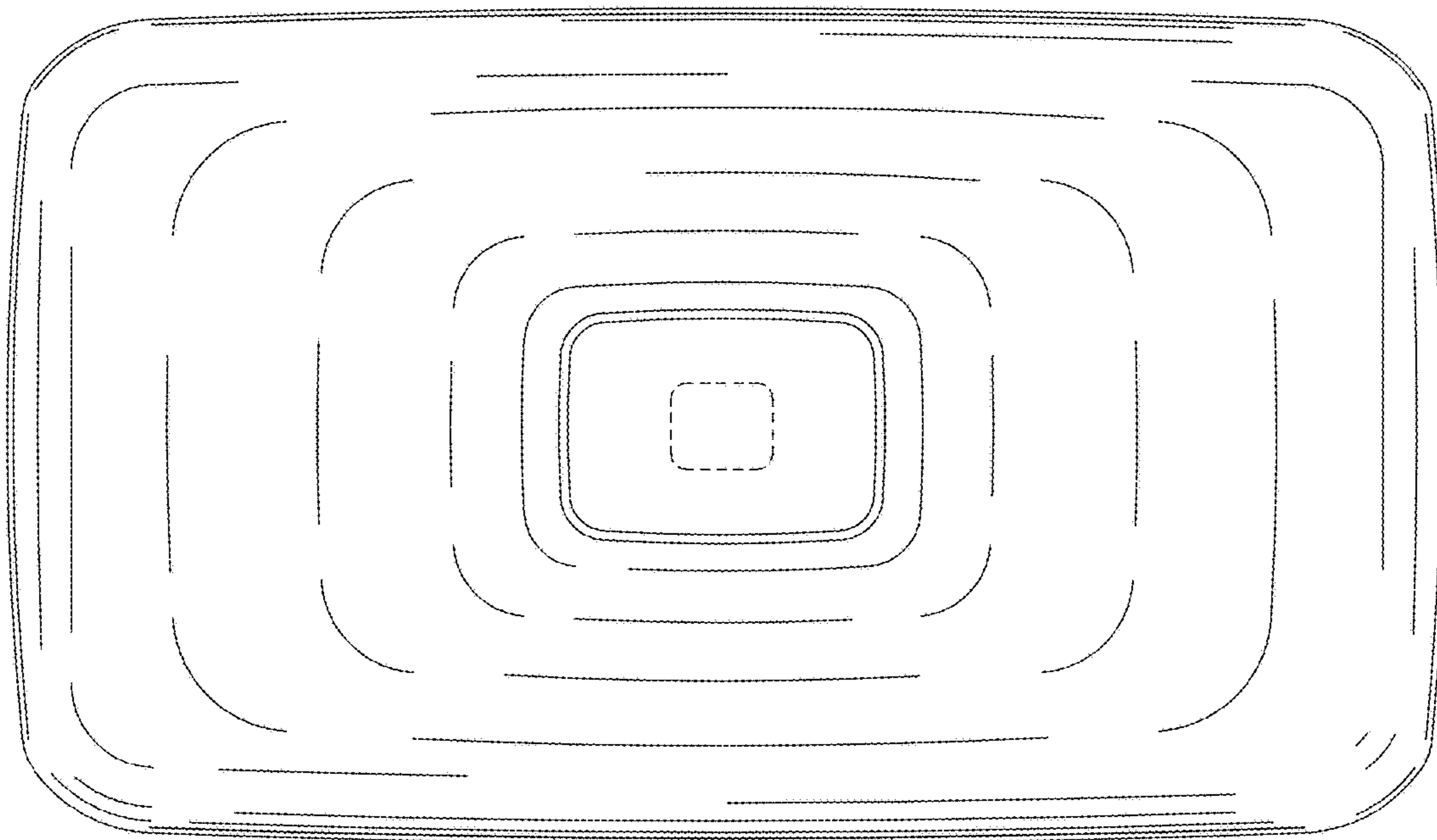


FIG. 5

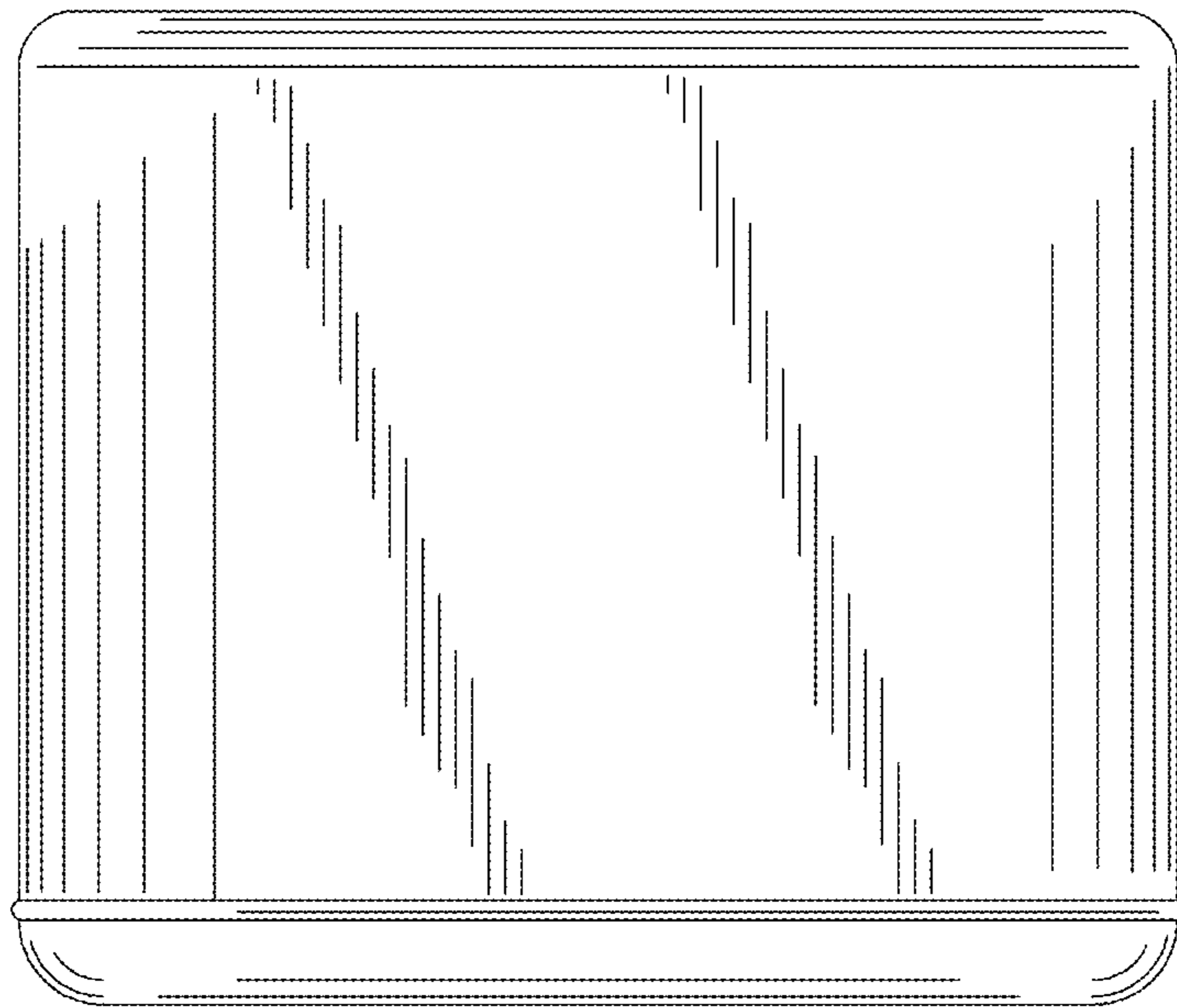


FIG. 6