



US00D828816S

(12) **United States Design Patent** (10) **Patent No.:** **US D828,816 S**
Spors et al. (45) **Date of Patent:** **** Sep. 18, 2018**

(54) **BUILDING AUTOMATION DEVICE** 3/0489; G05D 23/1902; G05D 23/1905;
 G05D 23/1931; G02F 1/33308; H01H

(71) Applicant: **Johnson Controls Technology Company**, Plymouth, MI (US) 9/02; H05B 37/02
 See application file for complete search history.

(72) Inventors: **Daniel J. Spors**, West Bend, WI (US);
Michael F. Kornacki, Oak Creek, WI (US);
Steven J. Grobschmidt, Glendale, WI (US);
Vineet Sinha, Milwaukee, WI (US);
Mark Thoni, Milwaukee, WI (US);
Scott Holland, Milwaukee, WI (US);
Hyunchul Kim, Chicago, IL (US);
Michael Lemon, Chicago, IL (US);
Nikhil Mathew, Vernon Hills, IL (US);
Holly Prouty, Chicago, IL (US)

(56)

References Cited

U.S. PATENT DOCUMENTS

D333,574 S *	3/1993	Ackeret	D6/300
D518,744 S	4/2006	Rosen	
D556,061 S	11/2007	Rosen	
D560,686 S *	1/2008	Kim	D14/496
D582,802 S	12/2008	Branson et al.	
D592,982 S	5/2009	Burt et al.	
D606,537 S *	12/2009	Ferrari	D14/341
D637,992 S *	5/2011	Tom	D14/138 G
D648,641 S	11/2011	Wallaert et al.	
D648,642 S	11/2011	Wallaert et al.	
D652,034 S *	1/2012	Ferrari	D14/341
8,149,222 B2 *	4/2012	Hsieh	G06F 3/041 345/173
D666,198 S *	8/2012	Van Den Nieuwenhuizen	D14/341
D666,510 S	9/2012	Beland et al.	
D672,666 S	12/2012	Rhodes et al.	
D673,467 S *	1/2013	Lee	D10/50
D675,204 S *	1/2013	Hofer	D14/138 G
D676,768 S	2/2013	Eyring et al.	
D676,769 S	2/2013	Eyring et al.	
D677,660 S *	3/2013	Groene	D14/341
D678,084 S	3/2013	Beland et al.	
D679,205 S	4/2013	Eyring et al.	
D684,872 S *	6/2013	Bias	D10/49
D687,388 S *	8/2013	Baumgartner	D13/162
D688,955 S	9/2013	Deligiannis et al.	
D694,195 S *	11/2013	Gammon	D13/162
D694,718 S *	12/2013	Baumgartner	D13/168
D699,130 S	2/2014	Rhodes et al.	
D705,094 S	5/2014	Eyring et al.	
D708,977 S *	7/2014	Corso	D10/104.1
D715,165 S	10/2014	Deligiannis et al.	
D715,166 S	10/2014	Rhodes	
D717,673 S	11/2014	Eyring et al.	
D727,180 S	4/2015	Lai et al.	
D729,793 S *	5/2015	Hickok	D14/126
D733,591 S	7/2015	Golden et al.	
D734,179 S	7/2015	Golden et al.	
D737,155 S	8/2015	Gmyr et al.	
D738,232 S	9/2015	Eyring et al.	
D738,755 S	9/2015	Druce	
D738,756 S	9/2015	Jiang et al.	

(73) Assignee: **Johnson Controls Technology Company**, Auburn Hills, MI (US)

(**) Term: **15 Years**

(21) Appl. No.: **29/602,691**

(22) Filed: **May 2, 2017**

Related U.S. Application Data

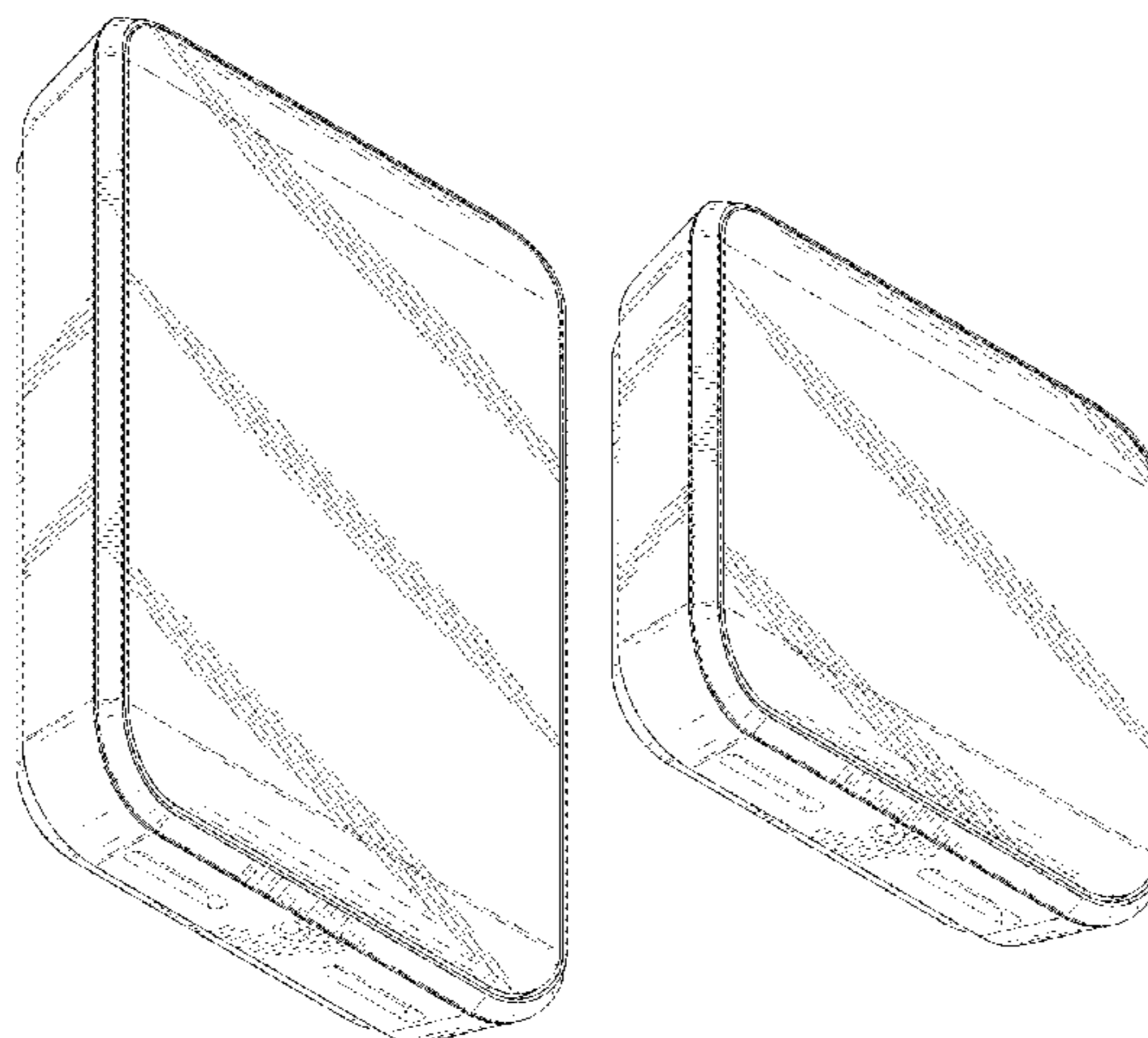
(63) Continuation-in-part of application No. 29/590,757, filed on Jan. 12, 2017.

(51) **LOC (11) Cl.** **13-03**

(52) **U.S. Cl.**
 USPC **D13/162; D13/168; D10/50**

(58) **Field of Classification Search**
 USPC **D13/162, 168; D10/49, 50, 104.1, 106.1, D10/106.95; D14/218, 336, 341, 371, D14/375**

CPC **F24F 11/00; F24F 11/0012; F24F 11/0086; F24F 11/0009; F24F 2011/0057; F24F 2011/0073; F24F 2011/0091; G05B 19/0426; G05B 19/409; G05B 15/02; G06F 1/1601; G06F 3/041; G06F 3/044; G06F 3/0482; G06F 3/0488; G06F**



US D828,816 S

Page 2

D743,349	S	*	11/2015	Leeland	D10/50	CN	303653904	4/2016
D744,433	S		12/2015	Baumgartner et al.			CN	303709538	6/2016
D748,082	S	*	1/2016	Lee	D14/248	CN	303717815	6/2016
D751,426	S		3/2016	Edgar			CN	303717816	6/2016
D752,568	S	*	3/2016	Kang	D14/248	CN	303717817	6/2016
D753,106	S	*	4/2016	Chao	D14/341	CN	303717819	6/2016
D758,217	S		6/2016	Kumfer et al.			CN	303717823	6/2016
D763,707	S		8/2016	Sinha et al.			CN	303726743	6/2016
D769,231	S	*	10/2016	Kwak	D14/242	CN	303726744	6/2016
D770,449	S	*	11/2016	Bae	D14/341	CN	303737244	7/2016
D772,735	S		11/2016	Mansueto et al.			CN	303737245	7/2016
D778,245	S	*	2/2017	Feldstein	D13/162	CN	303789869	8/2016
D787,465	S	*	5/2017	Levi	D14/138 G	CN	303814825	8/2016
D796,352	S	*	9/2017	Morneau	D10/49	EM	941031-001	2/1994
D801,288	S	*	10/2017	Kim	D13/168	EM	946447-001	11/1994
D812,048	S	*	3/2018	Mazz	D14/341	EM	946448-001	11/1994
2012/0298330	A1		11/2012	Mysse			EM	000907720-0001	4/2008
2013/0161489	A1*		6/2013	Gardner, Jr.	G09G 3/3406 250/208.1	EM	001944638-0001	11/2011
							EM	002016436-00	3/2012
2013/0279142	A1*		10/2013	Wang	H05K 7/02 361/809	EM	001345771-0031	9/2012
							EM	002103713-0001	9/2012
2014/0043256	A1*		2/2014	Wu	H01H 9/02 345/173	EM	002165068-0001	1/2013
							EM	002165068-001	1/2013
2014/0300567	A1*		10/2014	Inata	G06F 3/0488 345/173	EM	002221440-0004	4/2013
							EM	002297606-0001	8/2013
							EM	002299909-0002	8/2013
2015/0021064	A1*		1/2015	Wang	H05K 5/0243 174/50	EM	002379198-0001	12/2013
							EM	002418830-0040	3/2014
2015/0062087	A1*		3/2015	Cho	G02F 1/13338 345/175	EM	002433060-0005	3/2014
							EM	002476010-001	6/2014
2016/0324026	A1*		11/2016	Kang	A45C 5/02	EM	002476010-00001	6/2014
							EM	002526251-003	8/2014
							EM	002609768-0001	1/2015
							EM	002763698-0016	9/2015
							EM	002767970-0003	9/2015
							EM	002842880-004	10/2015
							EM	003074640-0003	4/2016
							EM	003339936-0001	8/2016
							IN	239736-0001	9/2011
							JP	D1527751	5/2015
							KR	300513953	12/2008
							KR	300559936	4/2010
							KR	300559937	4/2010
							KR	300559937.0000	4/2010
							KR	300563103	5/2010
							KR	300563104	5/2010
							KR	300597072	4/2011
							KR	300597075	4/2011
							KR	300597078	4/2011
							KR	300597085	4/2011
							KR	300597095	4/2011
							KR	300597103	4/2011
							KR	300597104	4/2011
							KR	300597105	4/2011
							KR	300597106	4/2011
							KR	300597109	4/2011
							KR	300743169	5/2014
							KR	300788997	3/2015
							KR	300803551	6/2015
							KR	300810461	8/2015
							WO	WO D075763-002	3/2011
							WO	WO D088823-003	11/2015

FOREIGN PATENT DOCUMENTS

CN	302042137	8/2005
CN	3677789	8/2007
CN	300763793	4/2008
CN	301076701	12/2009
CN	301262175	6/2010
CN	301318189	8/2010
CN	301318218	8/2010
CN	301318220	8/2010
CN	301367662	10/2010
CN	301379502	11/2010
CN	301425146	12/2010
CN	301437651	1/2011
CN	301596683	6/2011
CN	301640279	8/2011
CN	301671557	9/2011
CN	301900552	5/2012
CN	301936315	5/2012
CN	301936316	5/2012
CN	301966054	6/2012
CN	301966088	6/2012
CN	302009181	7/2012
CN	302009186	7/2012
CN	302042060	8/2012
CN	302042135	8/2012
CN	302062604	9/2012
CN	302244026	12/2012
CN	302269957	1/2013
CN	302313577	2/2013
CN	302360122	3/2013
CN	302503612	7/2013
CN	302517156	7/2013
CN	302908442	8/2014
CN	302908443	8/2014
CN	303030615	12/2014
CN	301936456	5/2015
CN	303238413	6/2015
CN	303246894	6/2015
CN	303255433	6/2015
CN	303255434	6/2015
CN	303337349	8/2015
CN	303375958	9/2015
CN	303385632	9/2015
CN	303394163	9/2015
CN	303451296	11/2015
CN	303603907	3/2016

OTHER PUBLICATIONS

Extended Search Report for European Application No. 17186332.7, dated Jan. 30, 2018, 8 pages.

* cited by examiner

Primary Examiner — Selina Sikder
(74) *Attorney, Agent, or Firm* — Foley & Lardner LLP

(57) CLAIM

We claim the ornamental design for a building automation device, as shown and described.

DESCRIPTION

FIG. 1 is a bottom, front, left perspective view of an embodiment of the claimed design;
FIG. 2 is a top, rear, left perspective view thereof;
FIG. 3 is a front view thereof;
FIG. 4 is a rear view thereof;
FIG. 5 is a cross-section view thereof along line 5-5 in FIG. 4;
FIG. 6 is a top view thereof;
FIG. 7 is a bottom view thereof;
FIG. 8 is a left side view thereof;
FIG. 9 is a right side view thereof;
FIG. 10 is a bottom, front, left perspective view of an embodiment of the claimed design;
FIG. 11 is a top, rear, left perspective view thereof;
FIG. 12 is a front view thereof;
FIG. 13 is a rear view thereof;
FIG. 14 is a cross-section view thereof along line 14-14 in FIG. 3;
FIG. 15 is a top view thereof;
FIG. 16 is a bottom view thereof;
FIG. 17 is a left side view thereof;

FIG. 18 is a right side view thereof;
FIG. 19 is a bottom, front, left perspective view of an embodiment of the claimed design;
FIG. 20 is a top, rear, left perspective view thereof;
FIG. 21 is a front view thereof;
FIG. 22 is a rear view thereof;
FIG. 23 is a cross-section view thereof along line 23-23 in FIG. 22;
FIG. 24 is a top view thereof;
FIG. 25 is a bottom view thereof;
FIG. 26 is a left side view thereof; and,
FIG. 27 is a right side view thereof.

The broken lines depict portions of building automation device that form no part the claimed design. The building automation device is shown broken away in FIGS. 19-27 of the drawing to indicate indeterminate length, it being understood that it has a uniform shape and appearance through its length.

Building automation devices include, but are not limited to, thermostats, sensors, lighting controls, building controls, and heating, ventilation, air-conditioning, and refrigeration equipment controls.

1 Claim, 21 Drawing Sheets

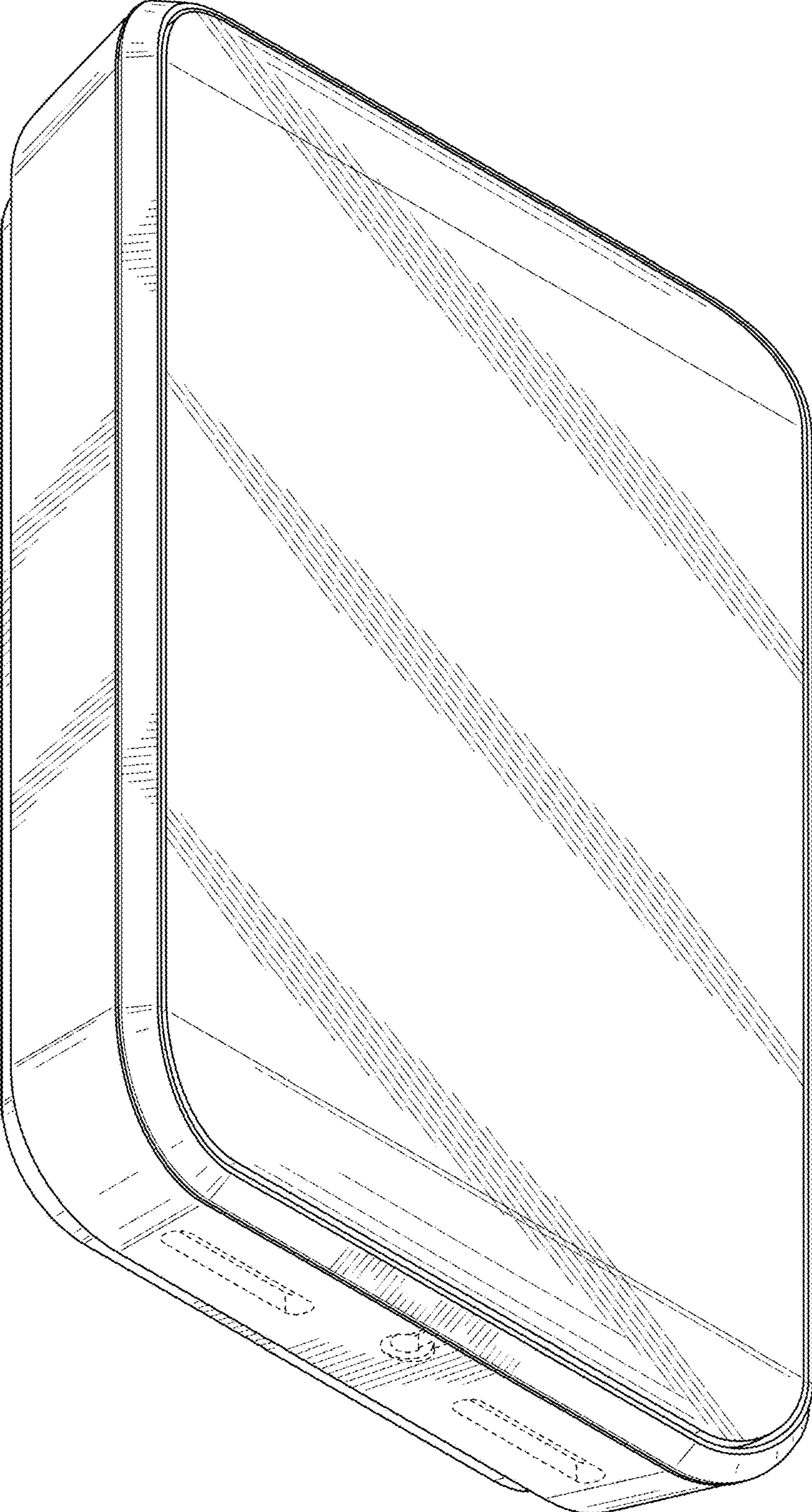


FIG. 1

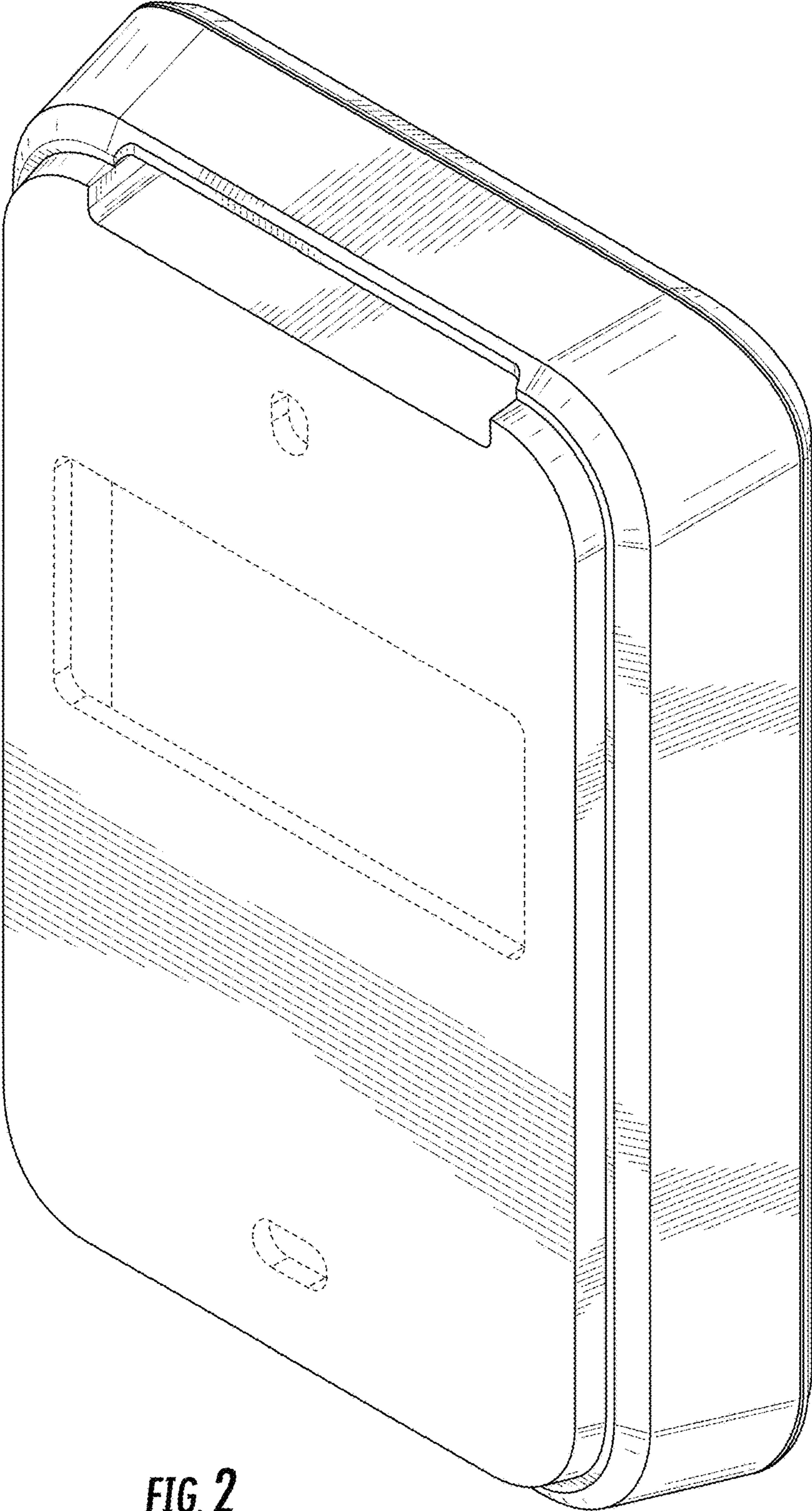


FIG. 2

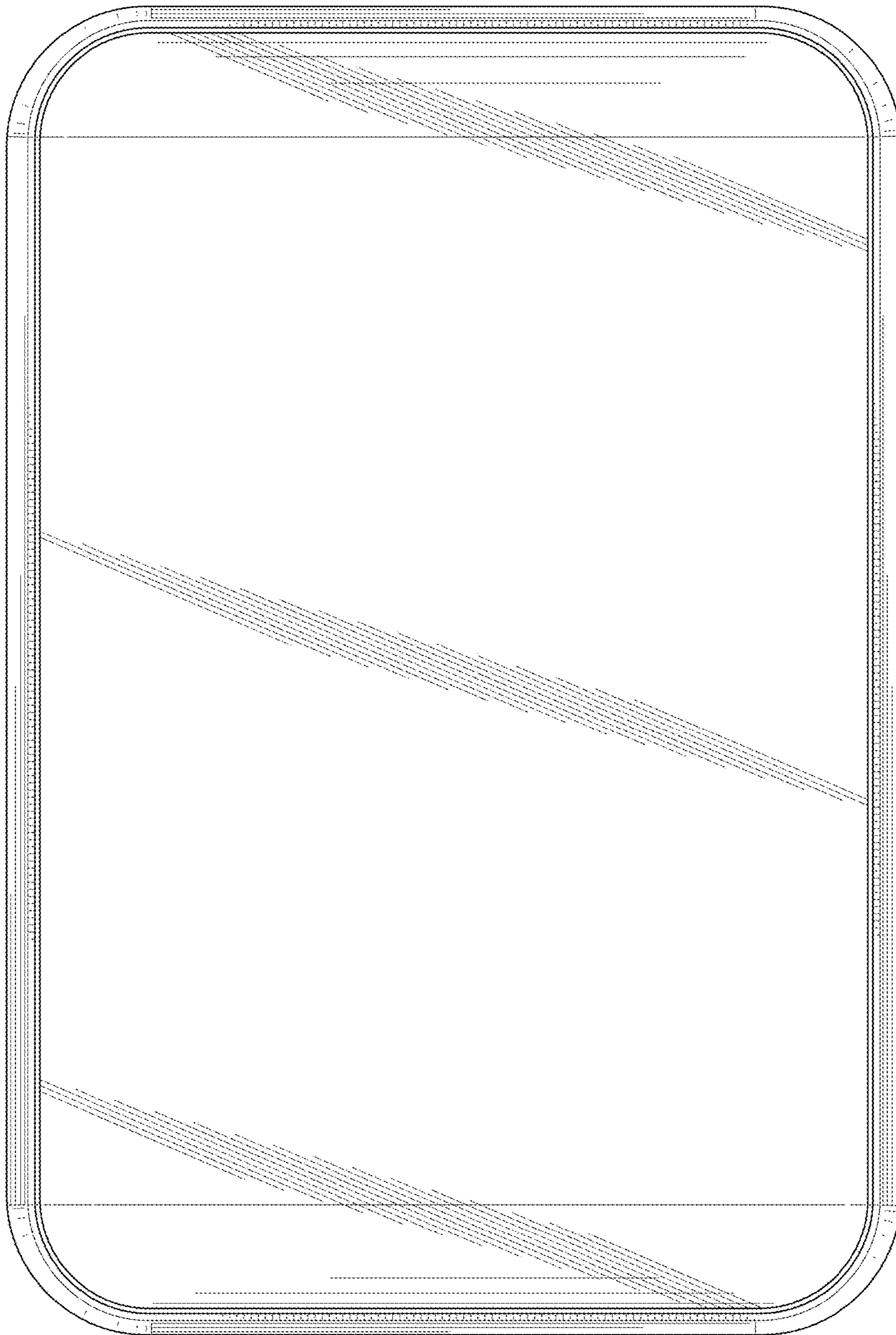


FIG. 3

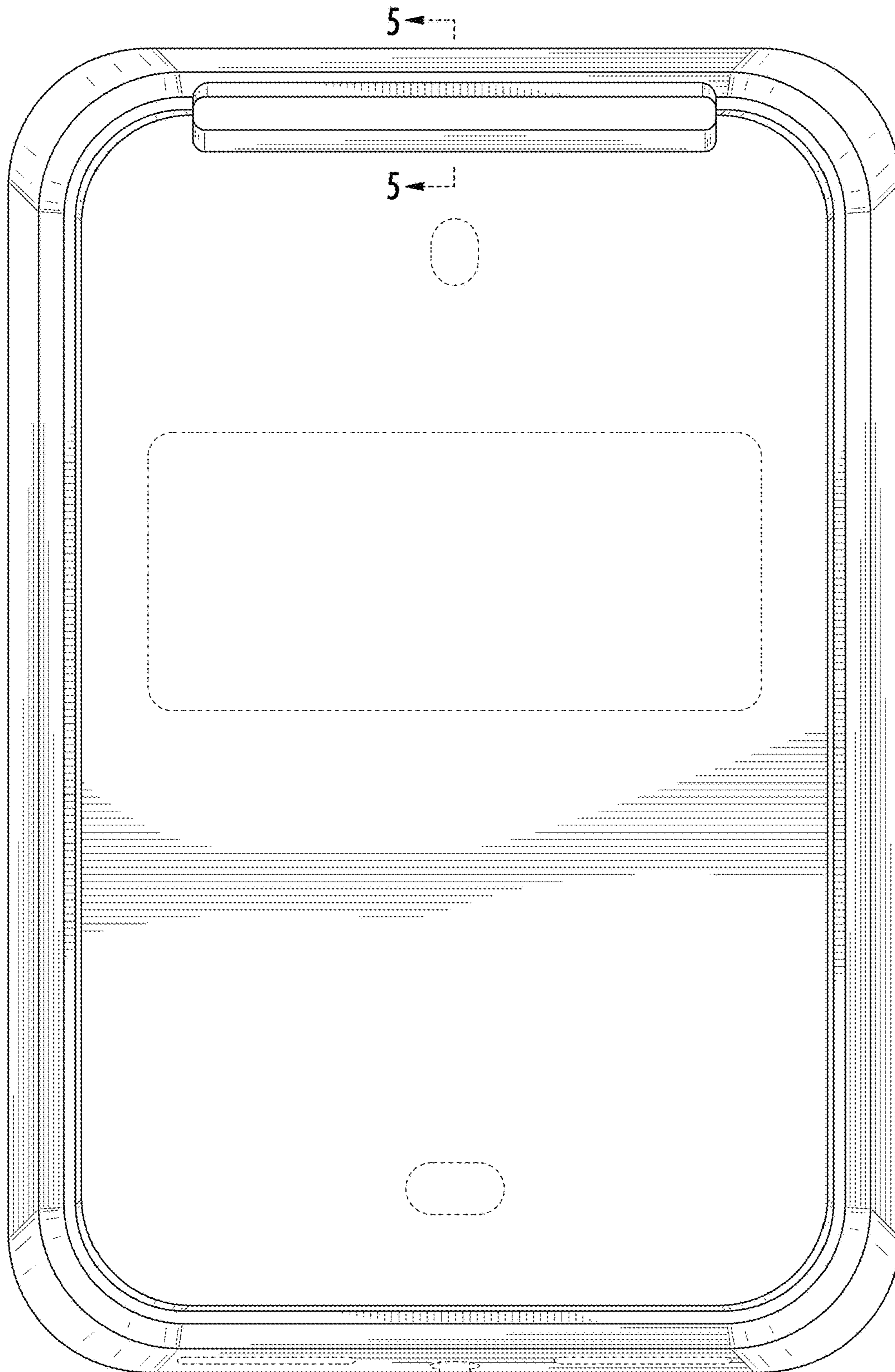


FIG. 4

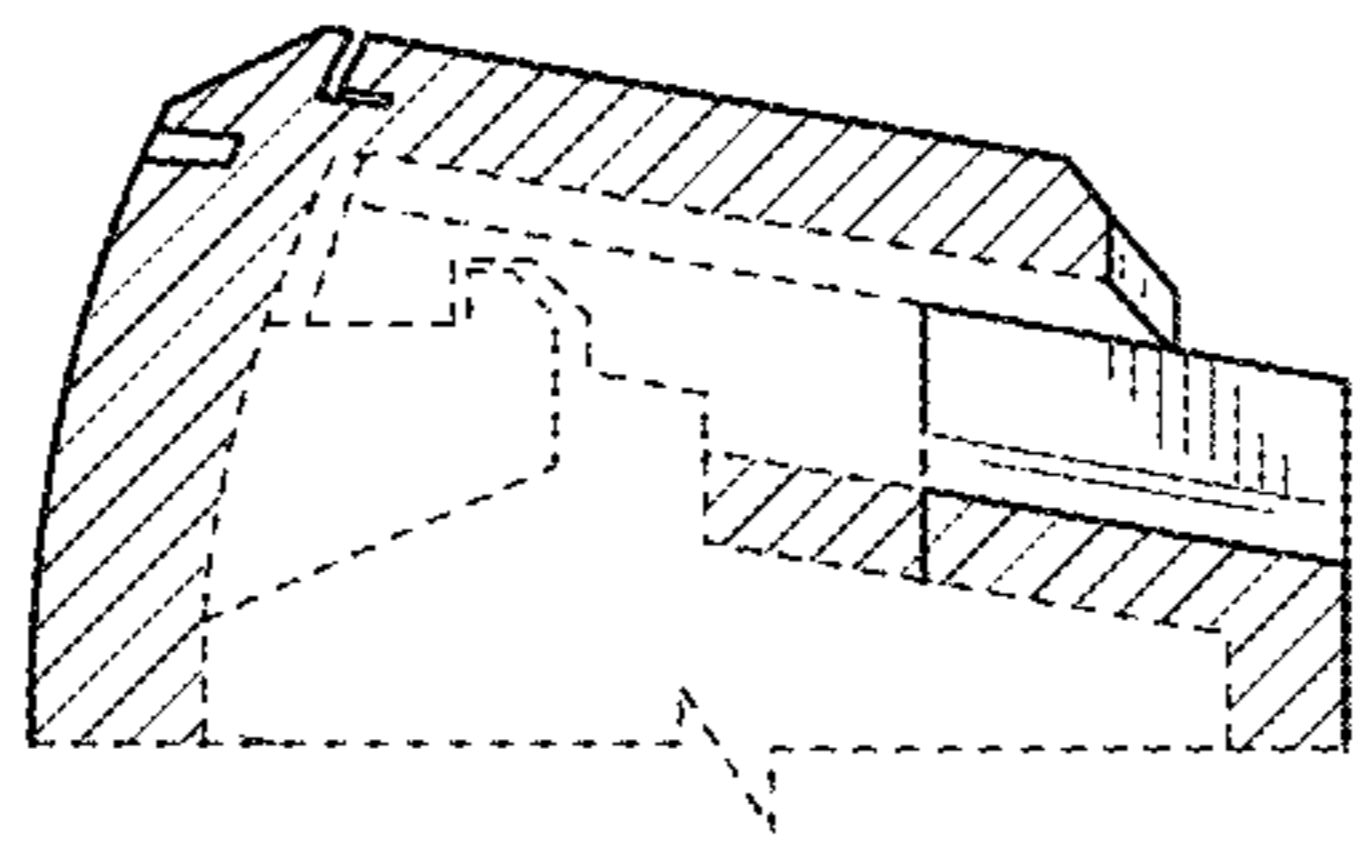


FIG. 5

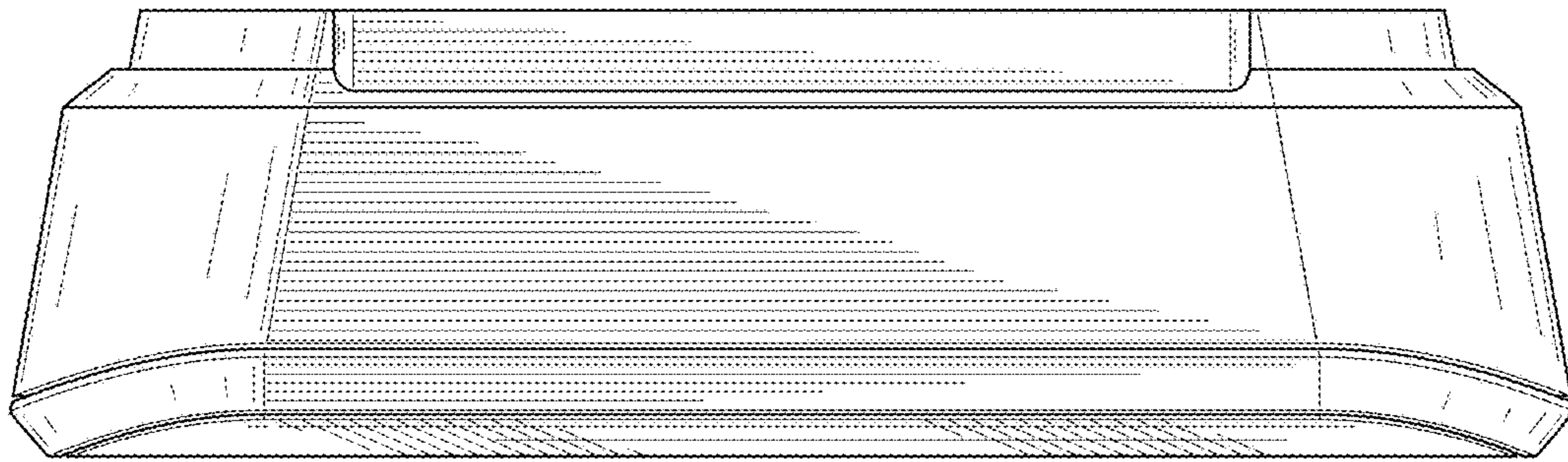


FIG. 6

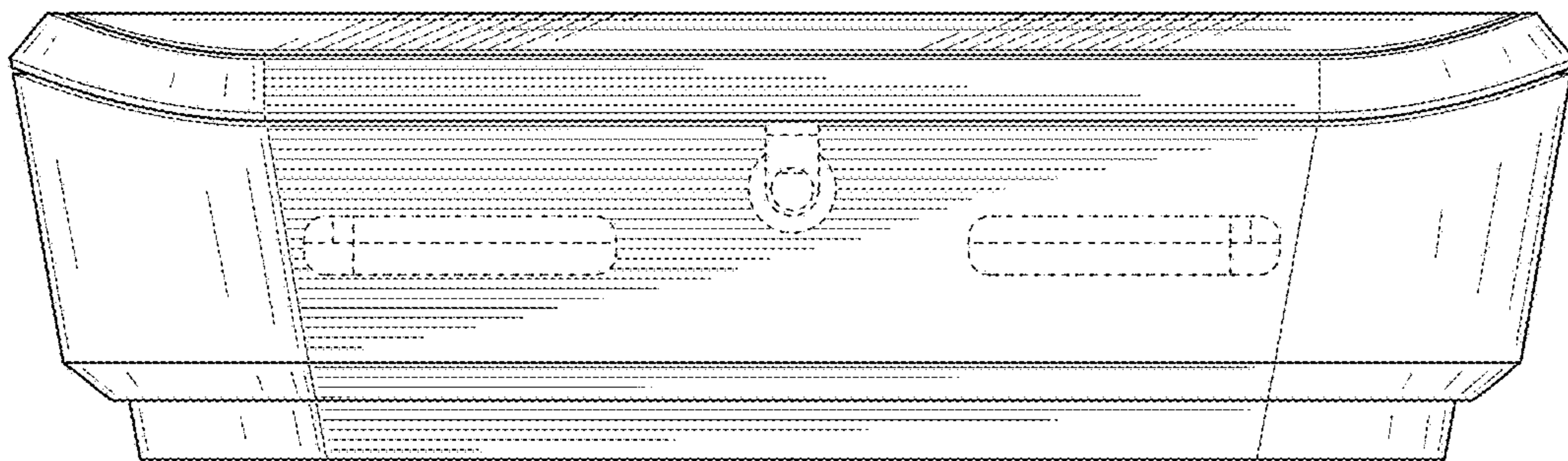


FIG. 7

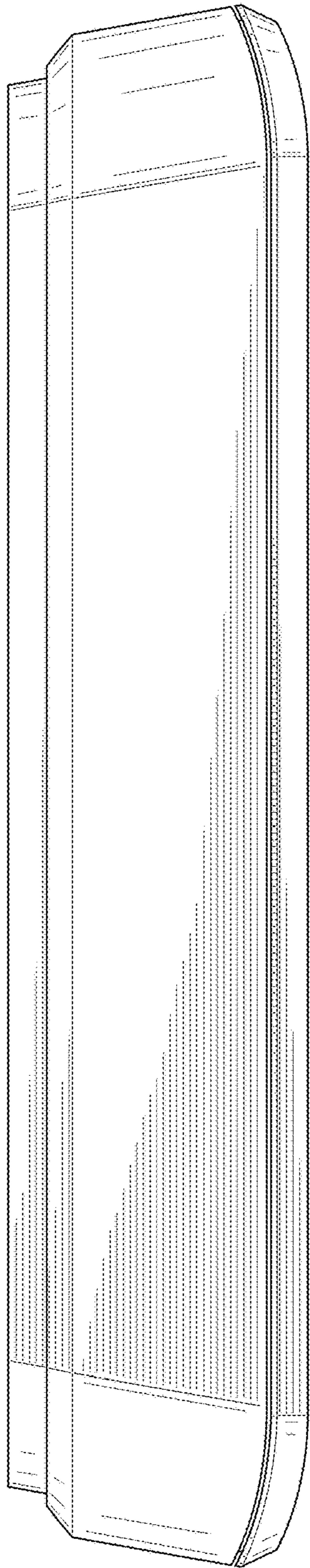


FIG. 8

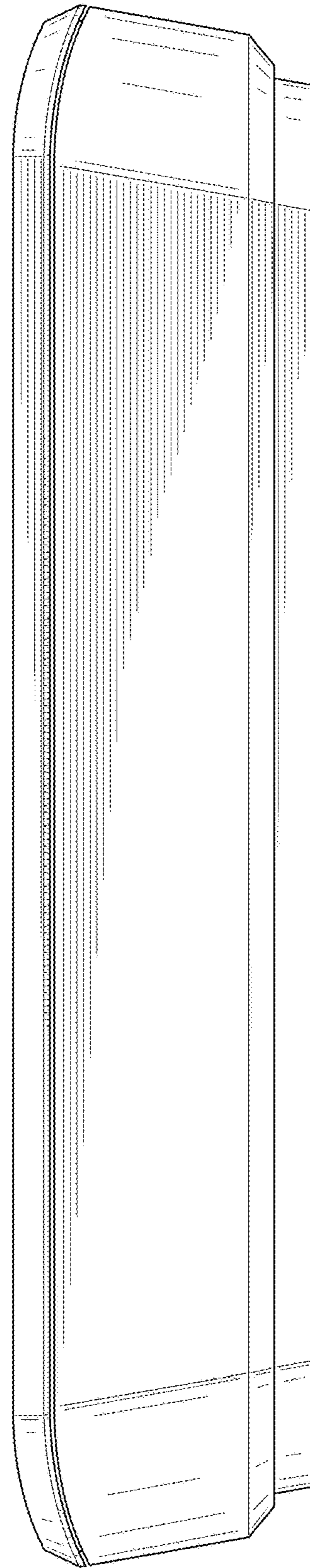


FIG. 9

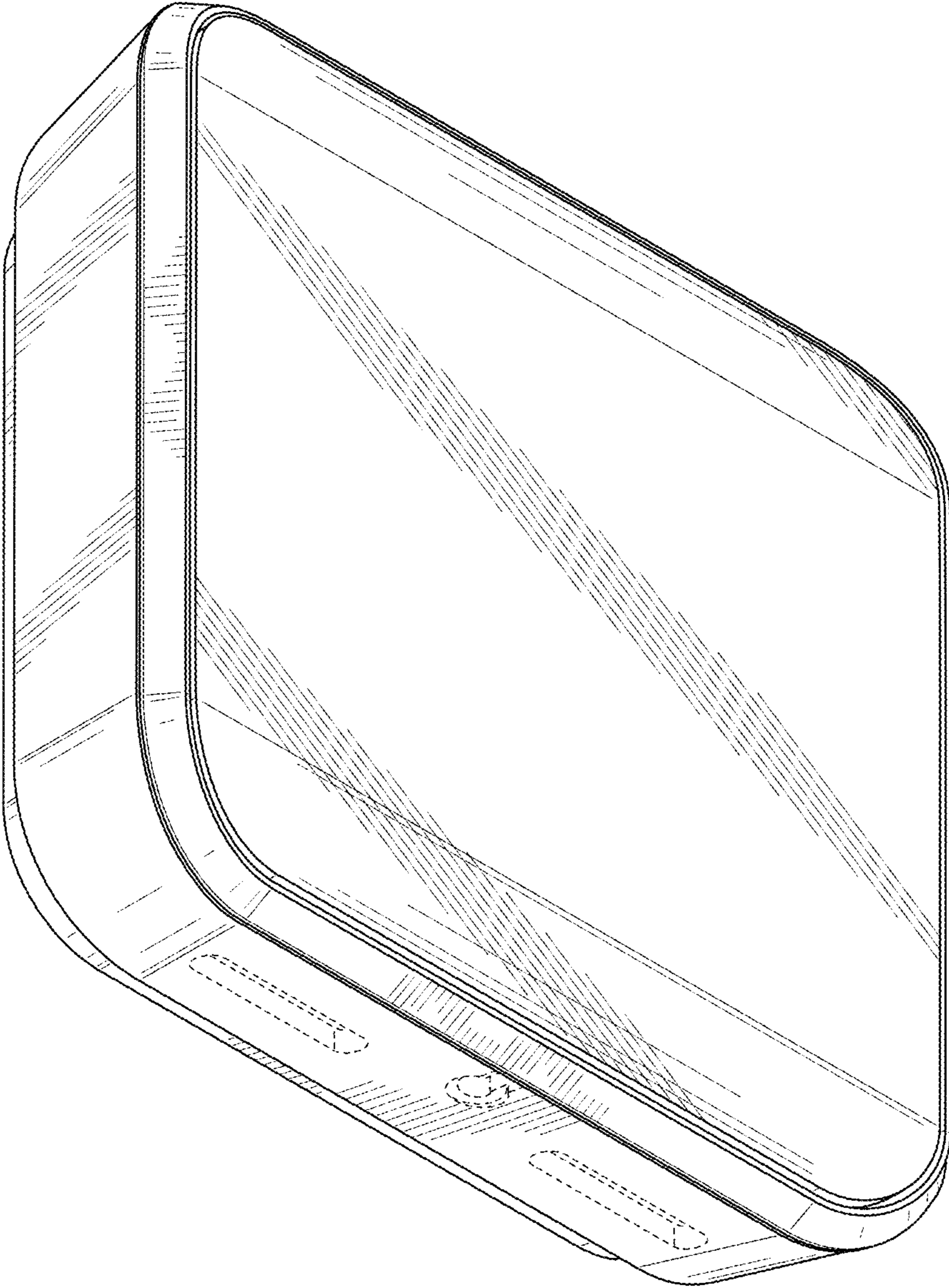


FIG. 10

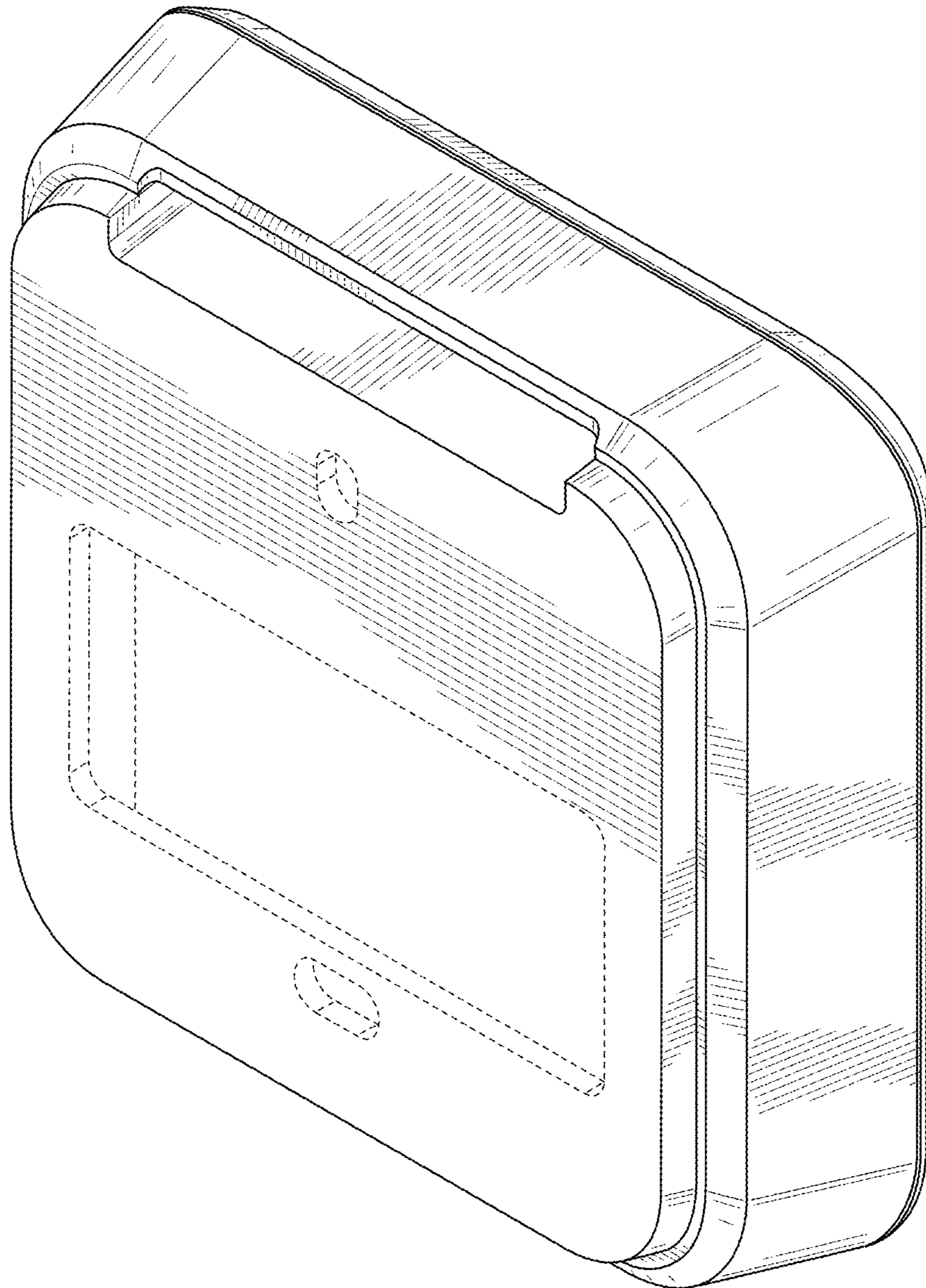


FIG. 11

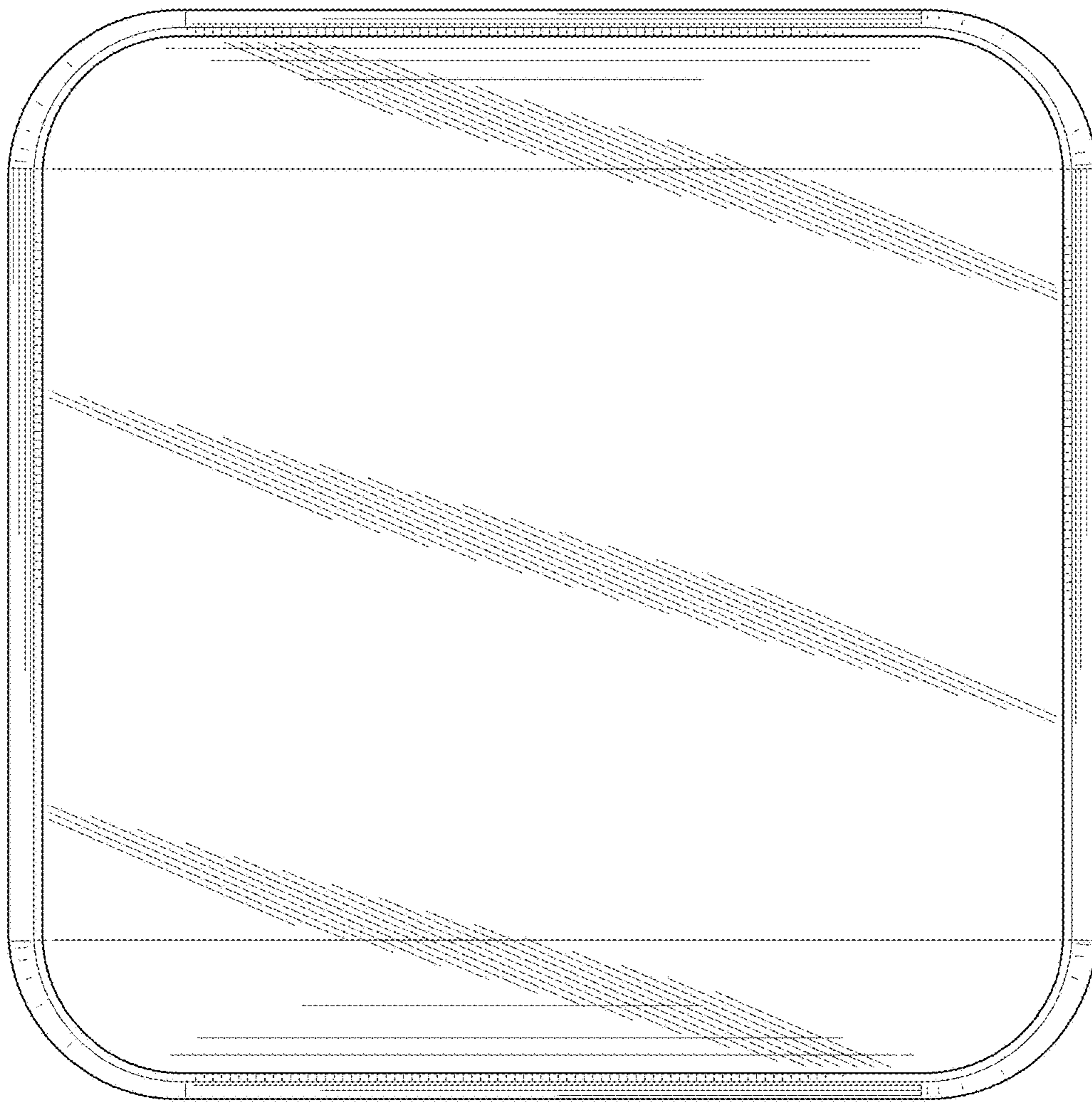


FIG. 12

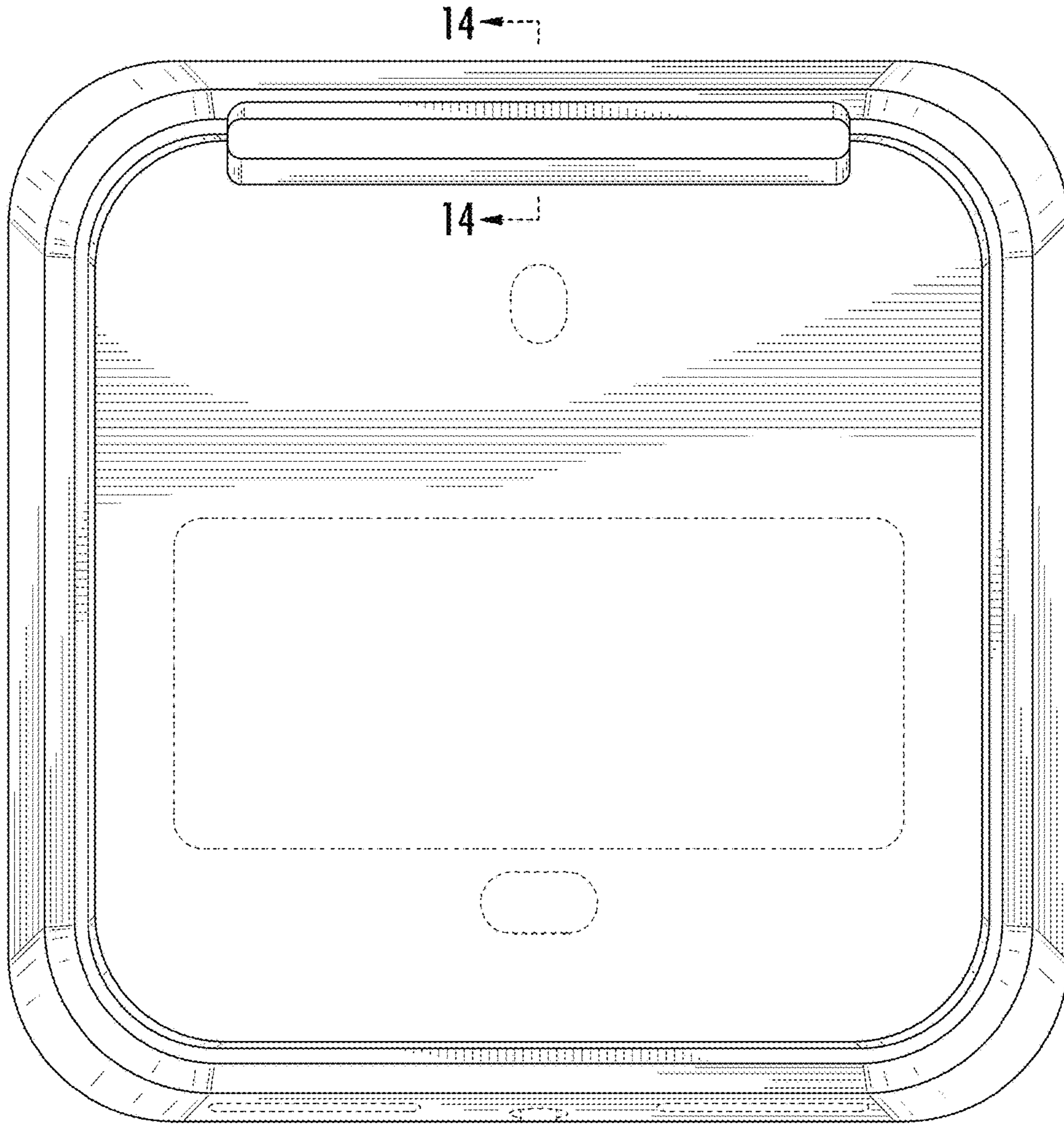


FIG. 13

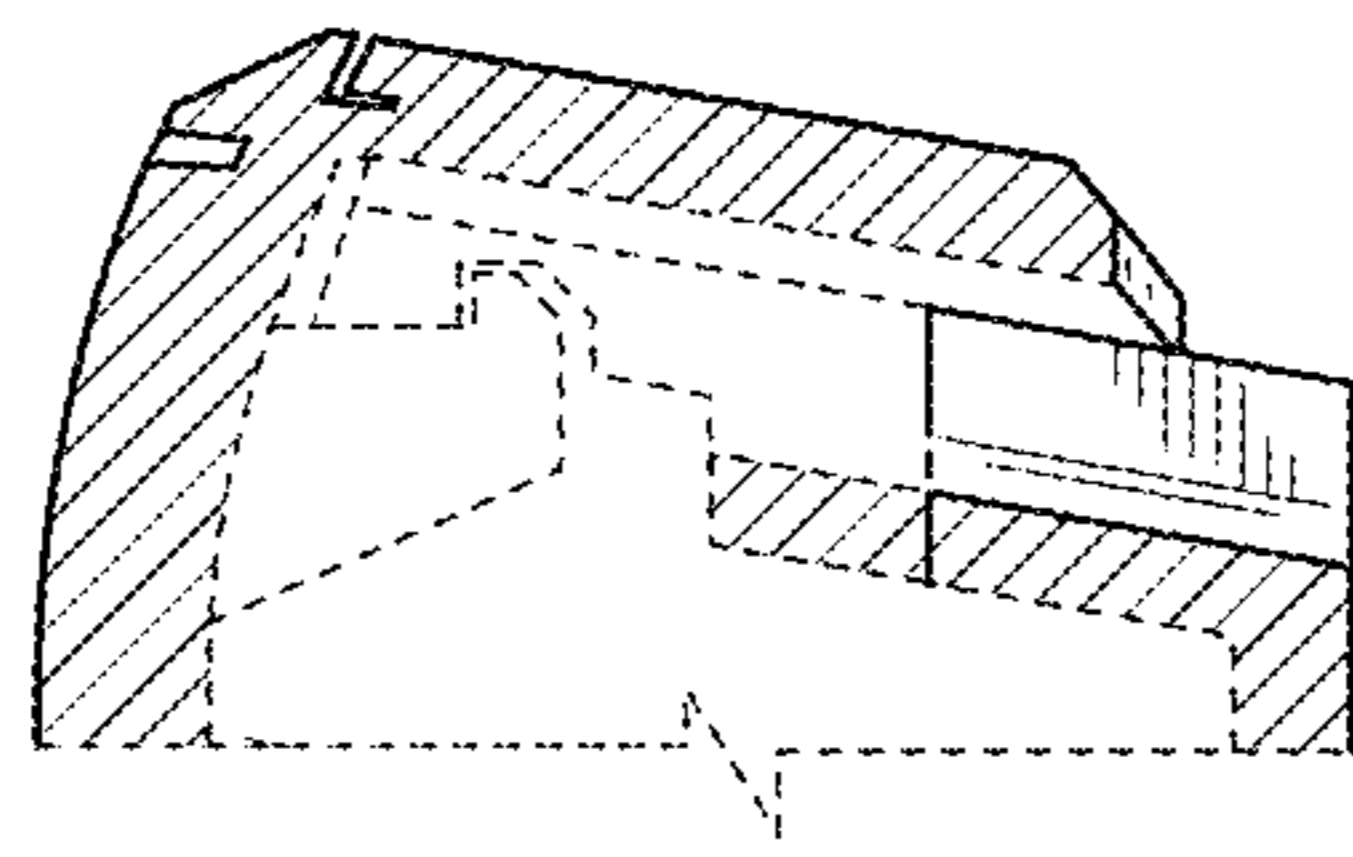


FIG. 14

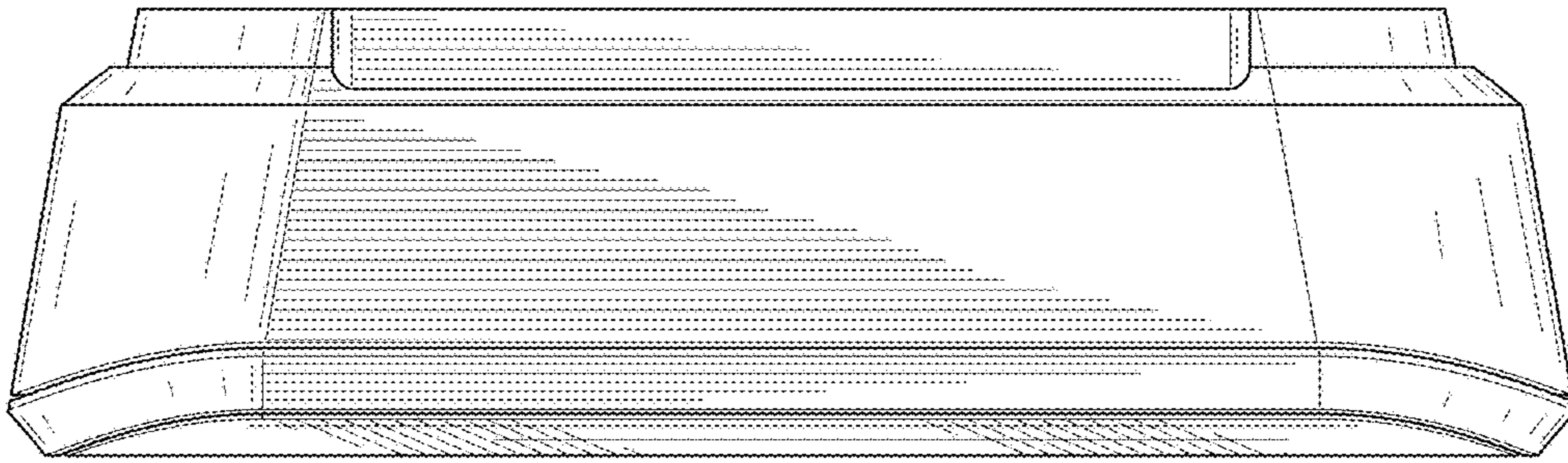


FIG. 15

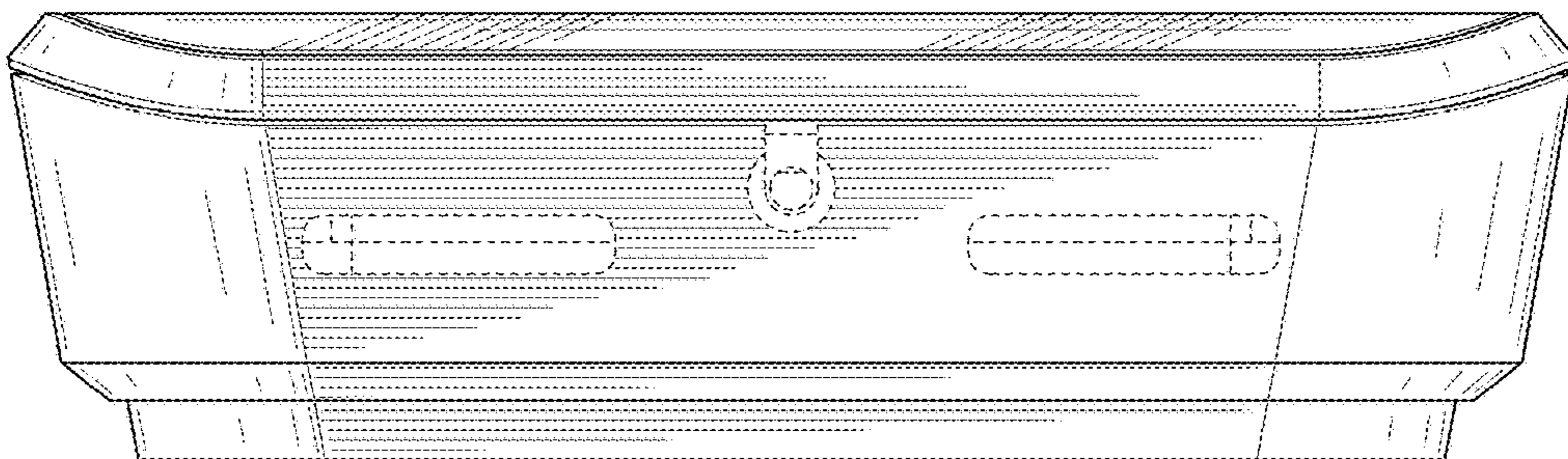


FIG. 16

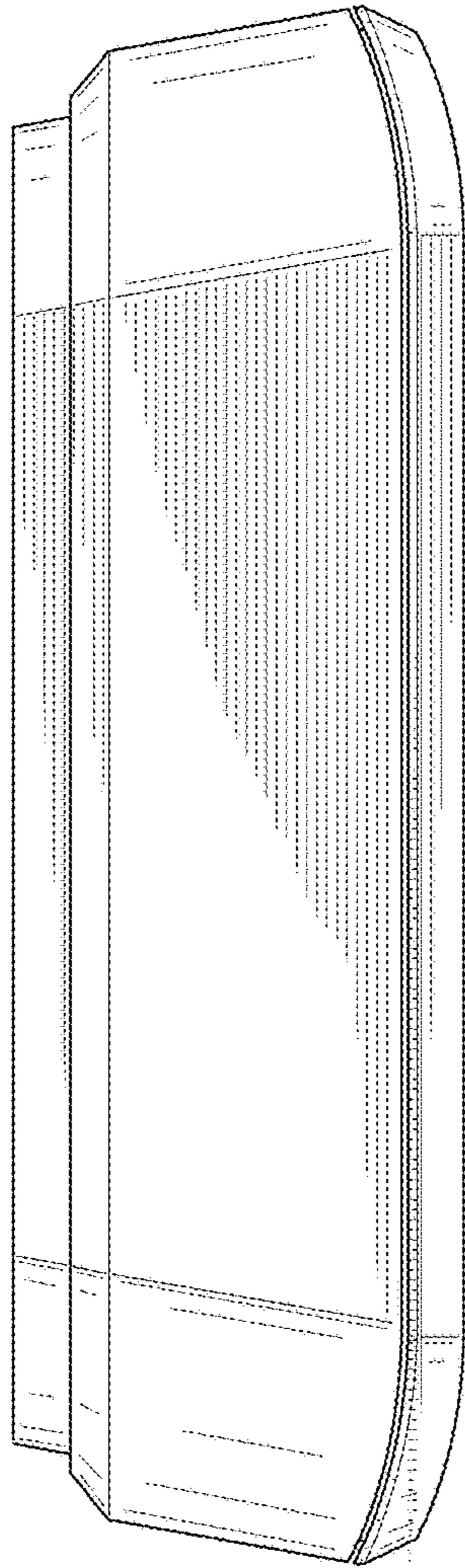


FIG. 17

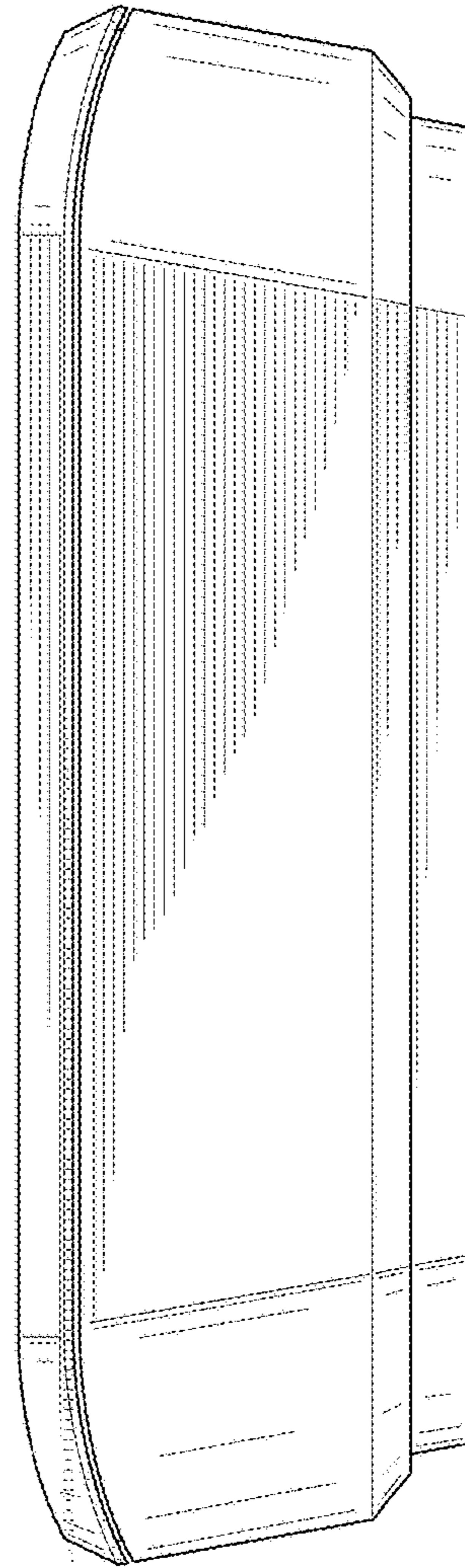


FIG. 18

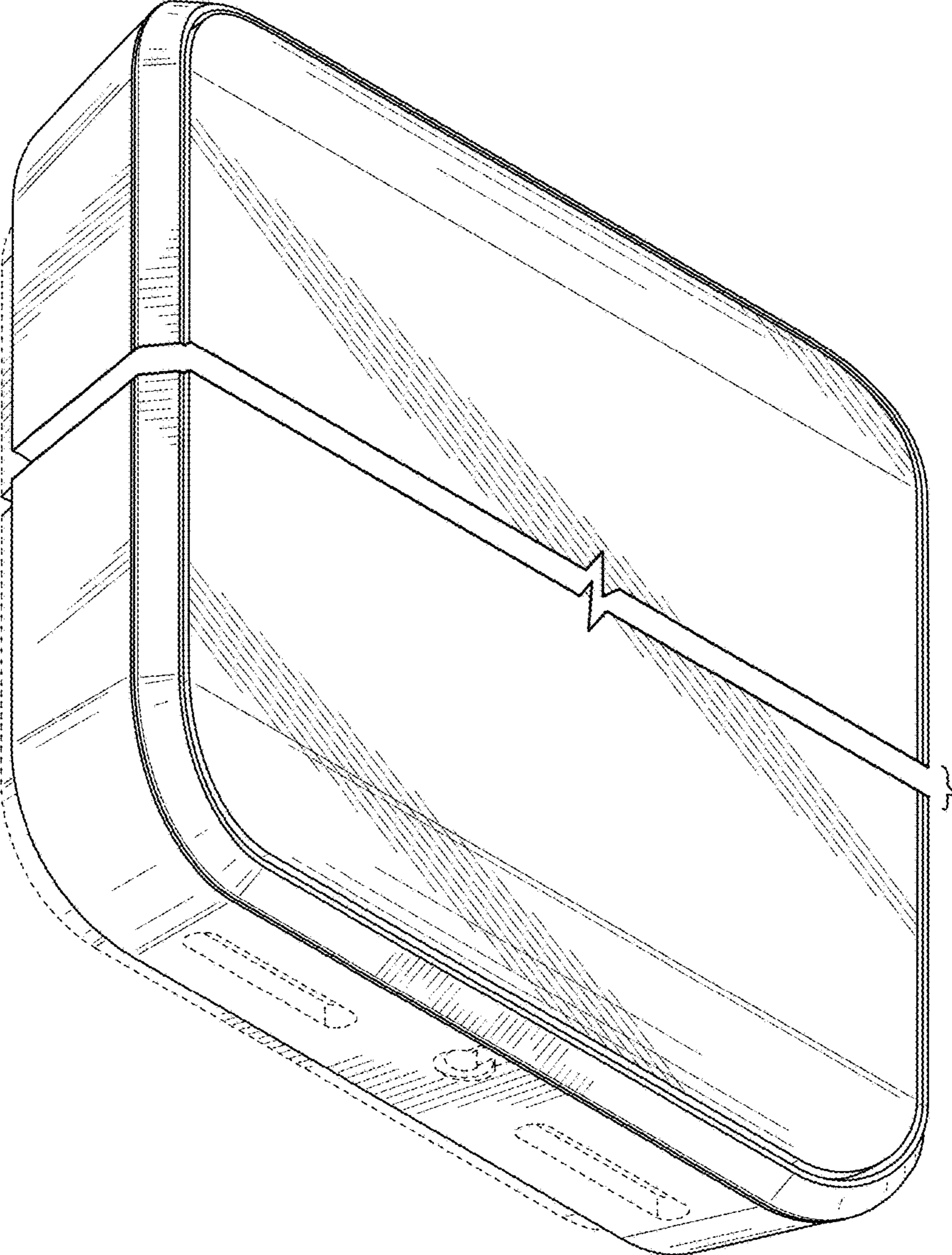


FIG. 19

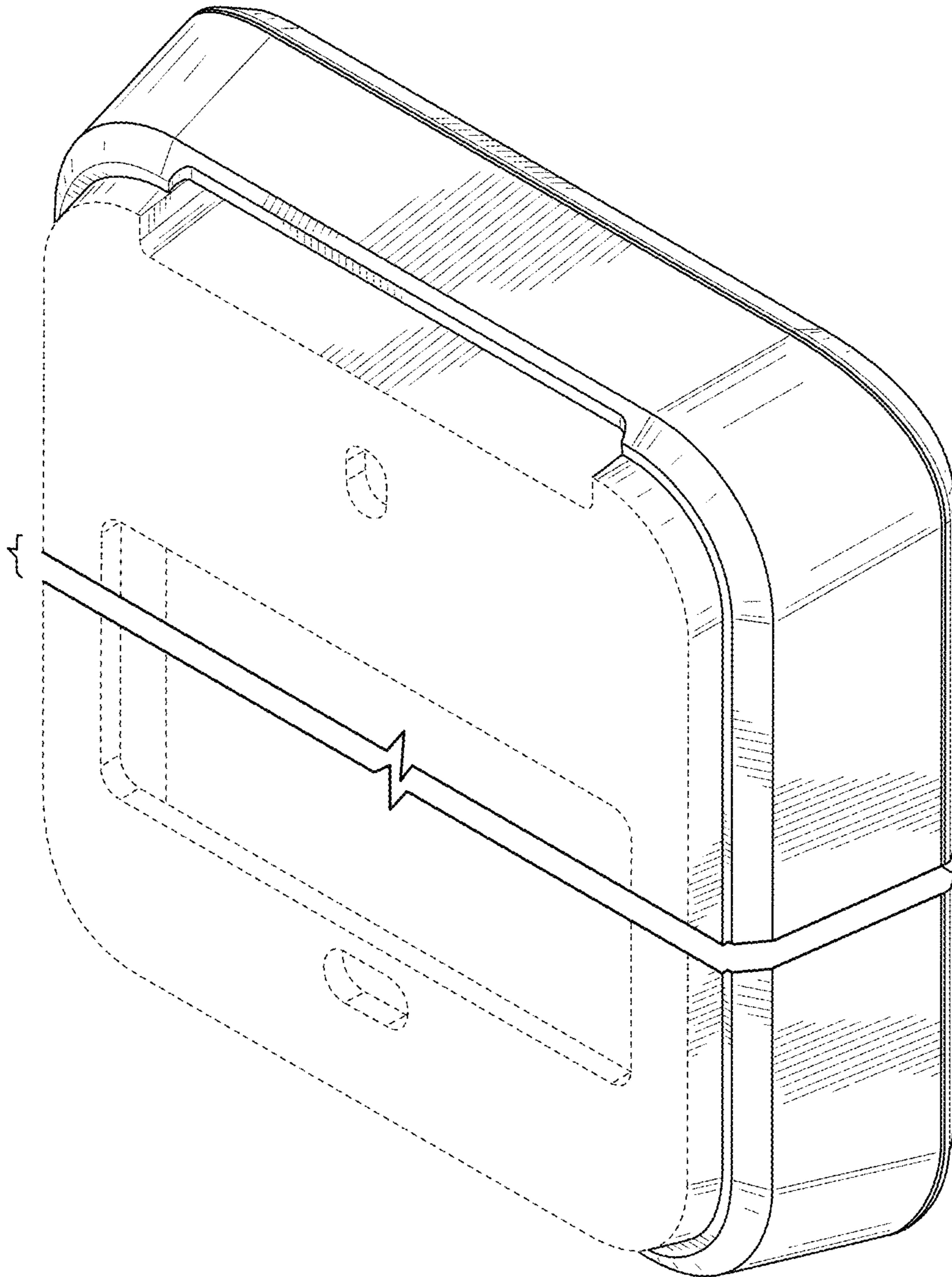


FIG. 20

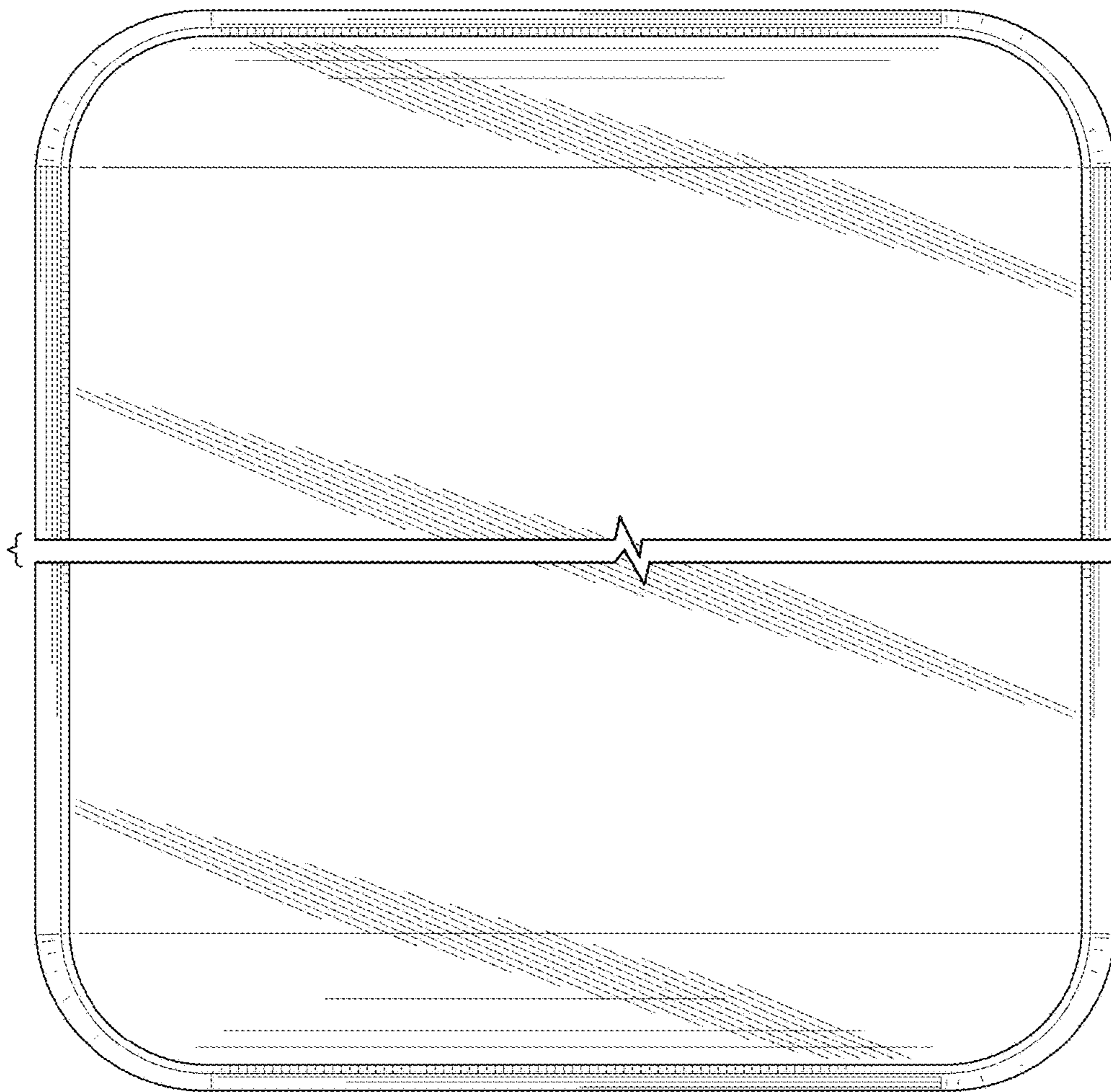


FIG. 21

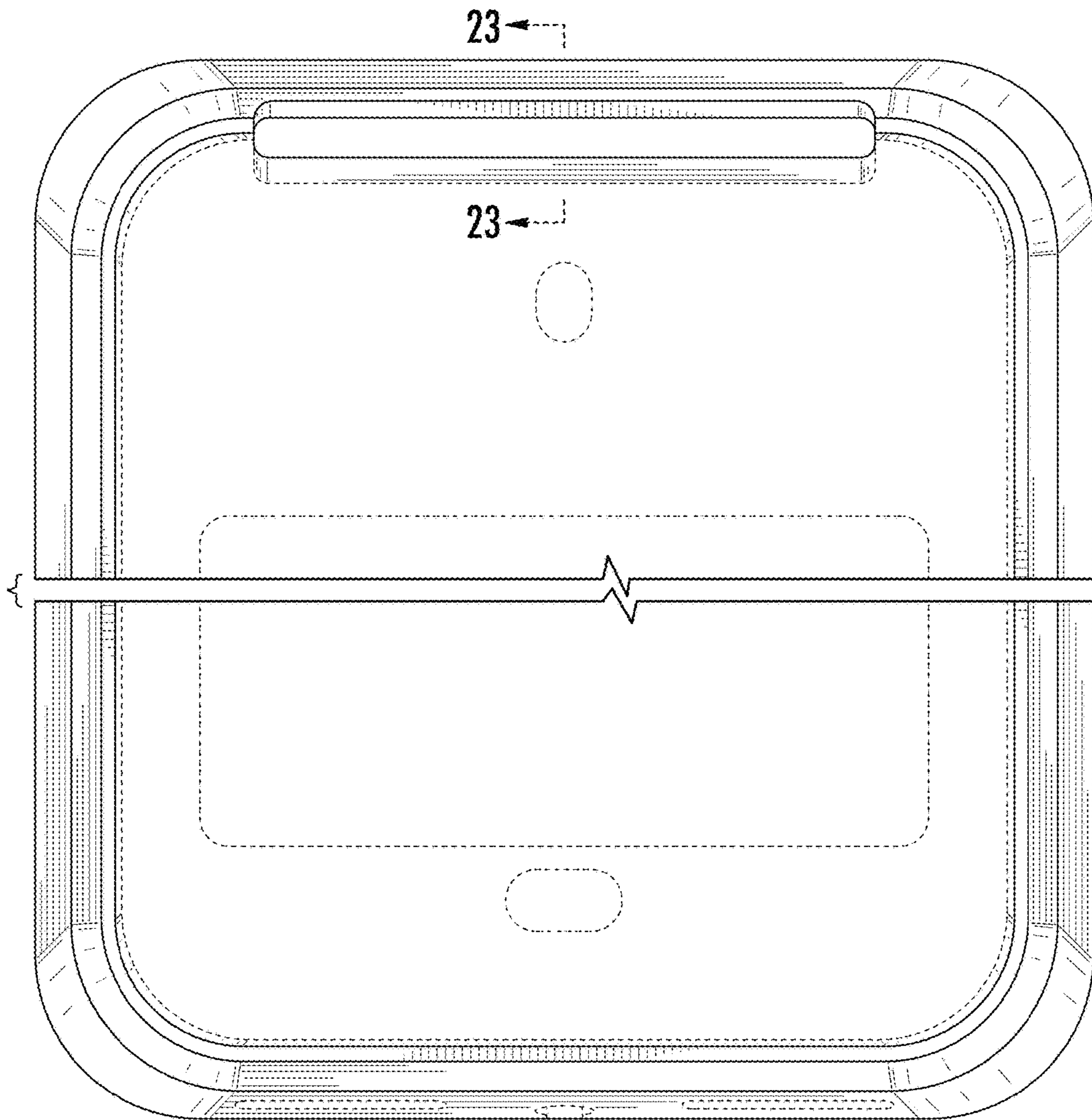


FIG. 22

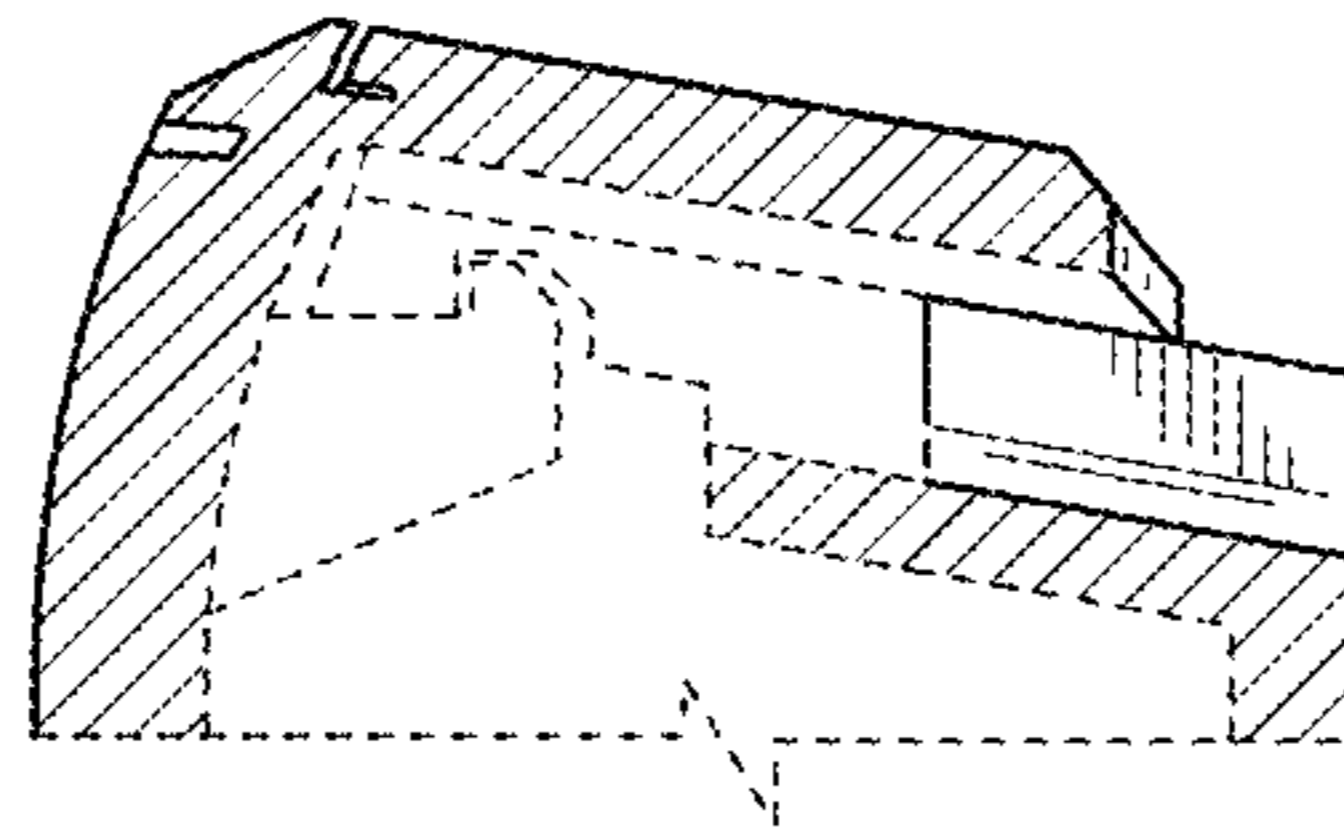


FIG. 23

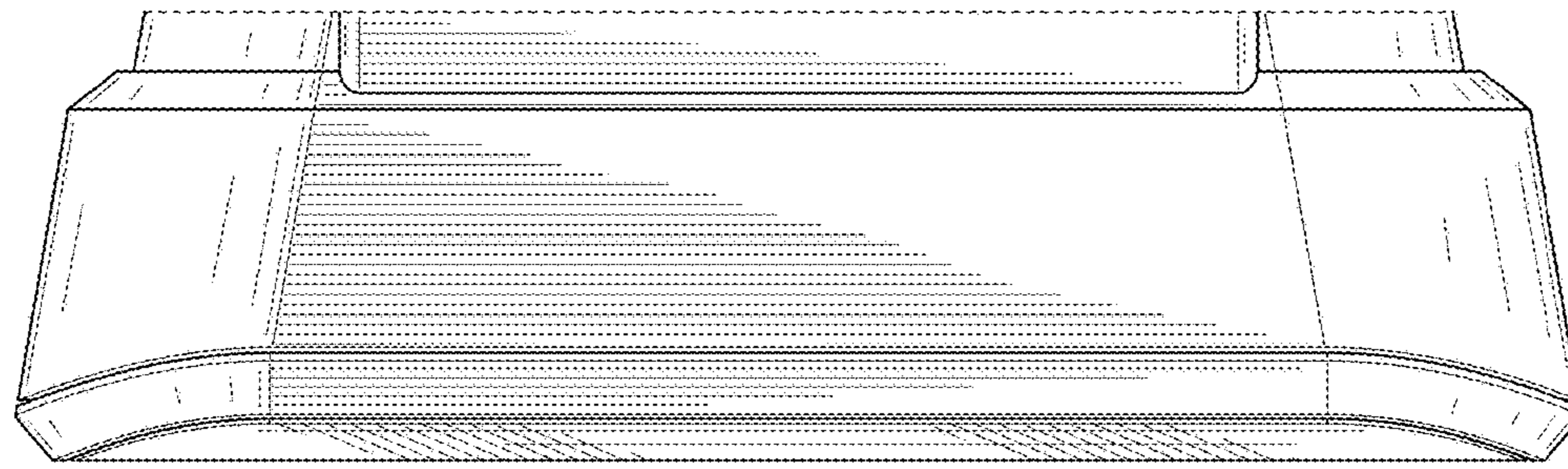


FIG. 24

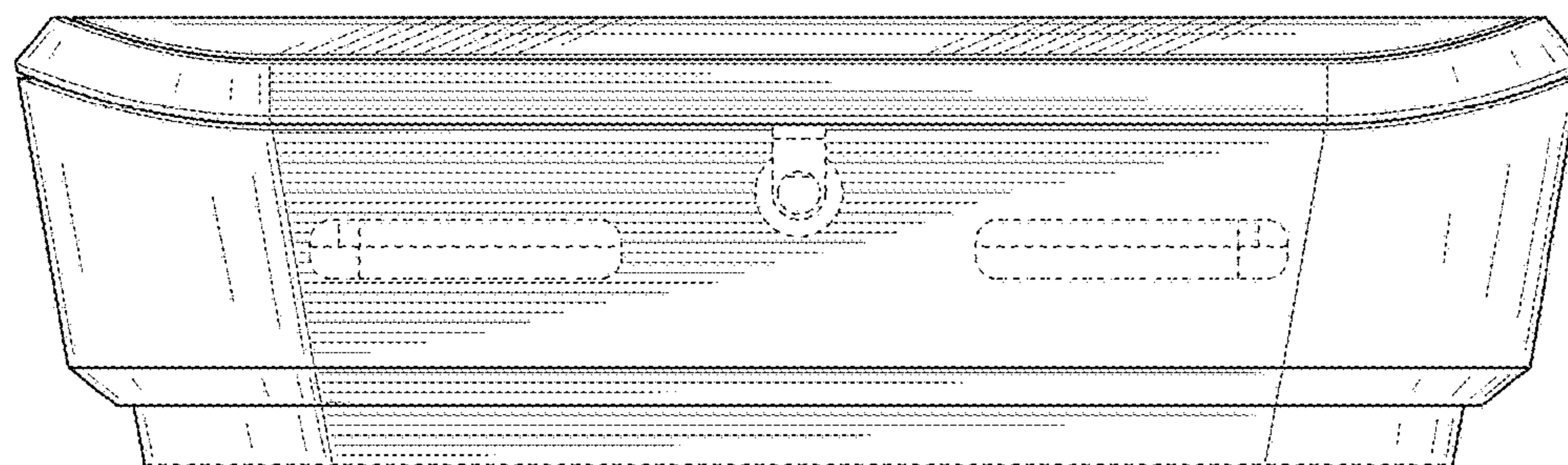


FIG. 25

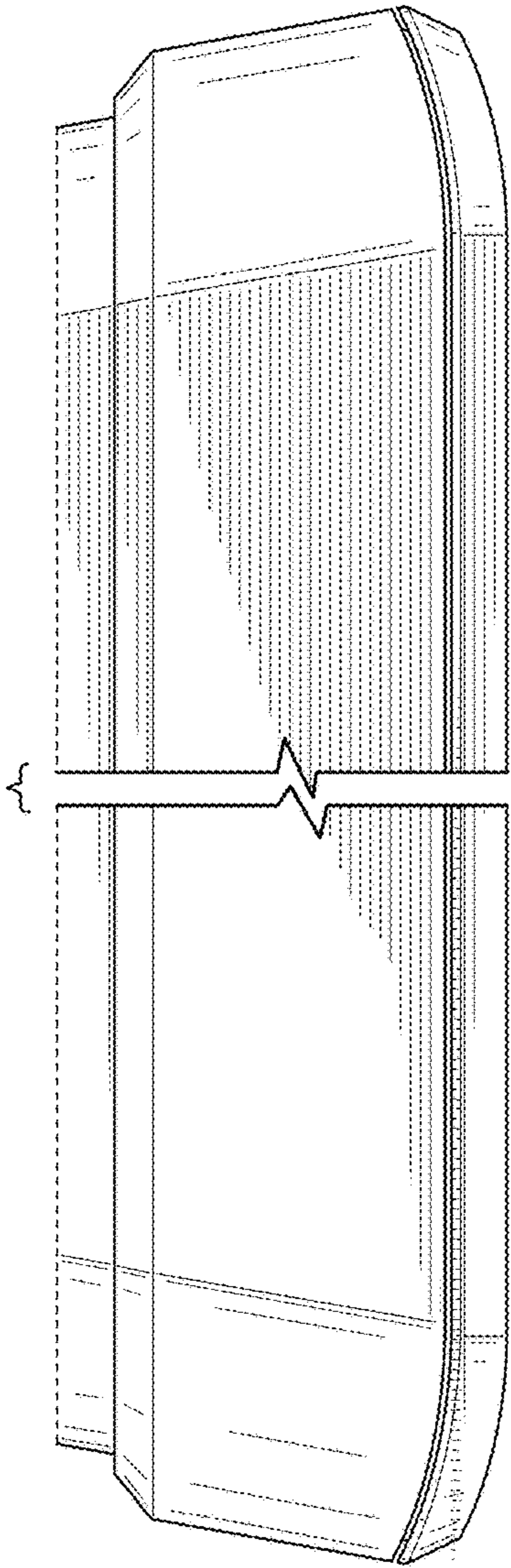


FIG. 26

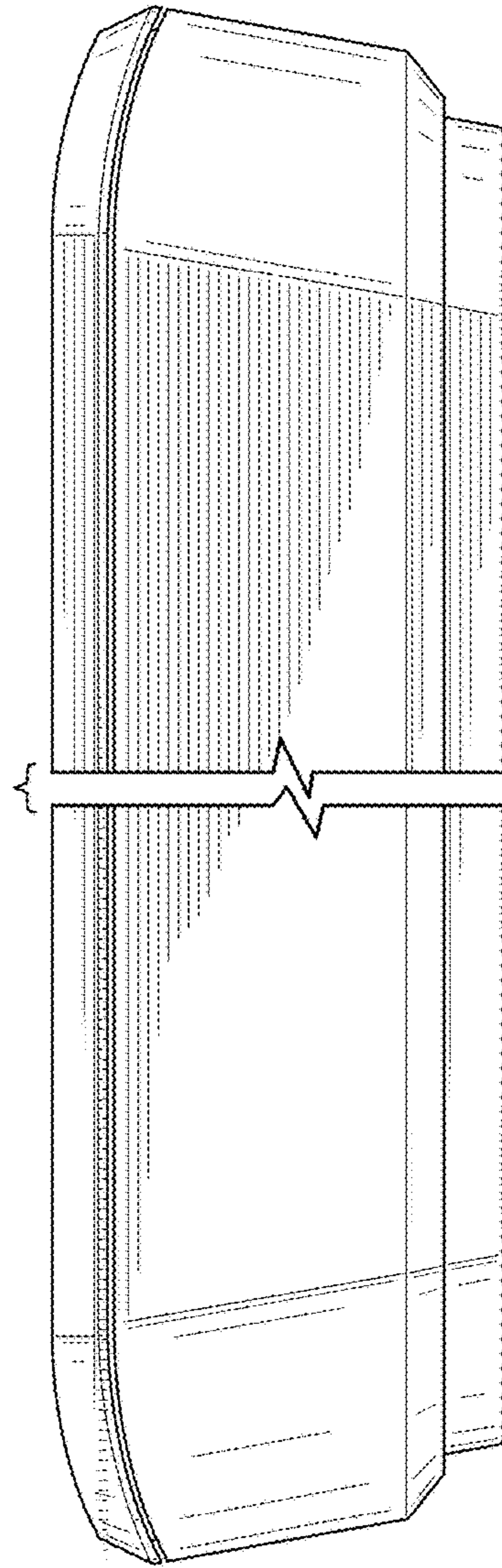


FIG. 27