



US00D828815S

(12) **United States Design Patent**  
**Hata et al.**

(10) **Patent No.:** **US D828,815 S**  
(45) **Date of Patent:** **\*\* Sep. 18, 2018**

(54) **ELECTRIC CONNECTOR**

- (71) Applicant: **KYOCERA Corporation**, Kyoto-shi, Kyoto (JP)
- (72) Inventors: **Tetsuya Hata**, Yokohama (JP); **Shigeki Ohara**, Isehara (JP)
- (73) Assignee: **KYOCERA Corporation**, Kyoto-shi, Kyoto (JP)

(\*\*) Term: **15 Years**

(21) Appl. No.: **29/623,245**

(22) Filed: **Oct. 24, 2017**

(30) **Foreign Application Priority Data**

Aug. 4, 2017 (JP) ..... 2017-016949

(51) **LOC (11) Cl.** ..... **13-03**

(52) **U.S. Cl.**  
USPC ..... **D13/149**

(58) **Field of Classification Search**  
USPC ..... D13/118-120, 122, 123, 133, 145-149,  
D13/151, 153, 154-157, 173, 184, 199  
CPC . F16J 15/24; H01R 4/24; H01R 13/52; H01R  
13/56; H01R 31/02; H01R 31/06;  
(Continued)

(56) **References Cited**

**U.S. PATENT DOCUMENTS**

- 5,562,478 A \* 10/1996 Yamamoto ..... H01R 4/2433  
439/402
- 5,690,505 A \* 11/1997 Hirata ..... H01R 4/2433  
439/402

(Continued)

**FOREIGN PATENT DOCUMENTS**

- JP H08306428 A 11/1996
- JP H11204192 A 7/1999

(Continued)

**OTHER PUBLICATIONS**

Trace-Safe Connectors, dated Jul. 17, 2013, [online], [site visited Jul. 17, 2018]. Available from Internet, <URL: <http://www.trace-safe.com/connectors.html>> (Year: 2013).\*

(Continued)

*Primary Examiner* — Angela J Lee

*Assistant Examiner* — Shawn T Gingrich

(74) *Attorney, Agent, or Firm* — Kenja IP Law PC

(57) **CLAIM**

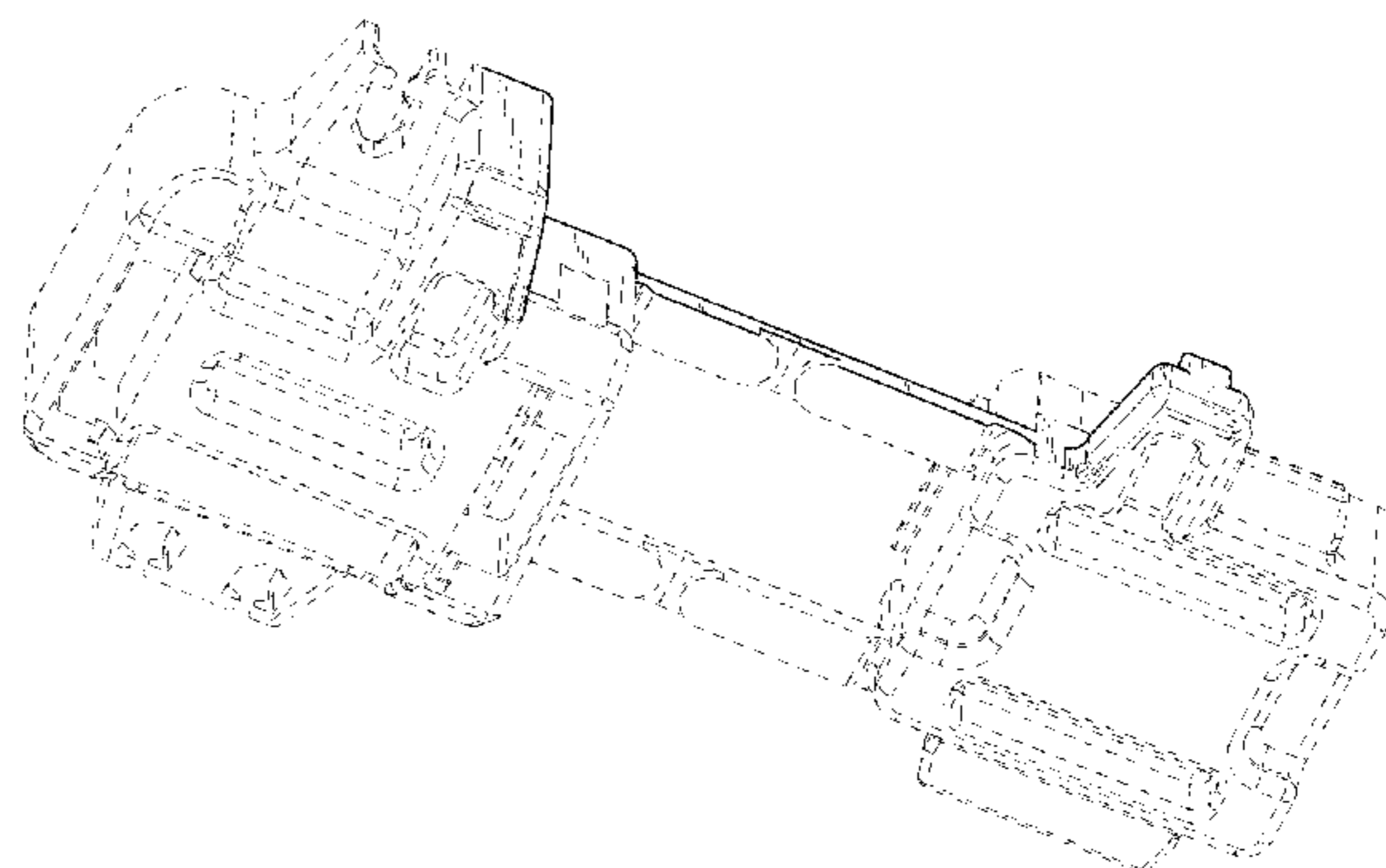
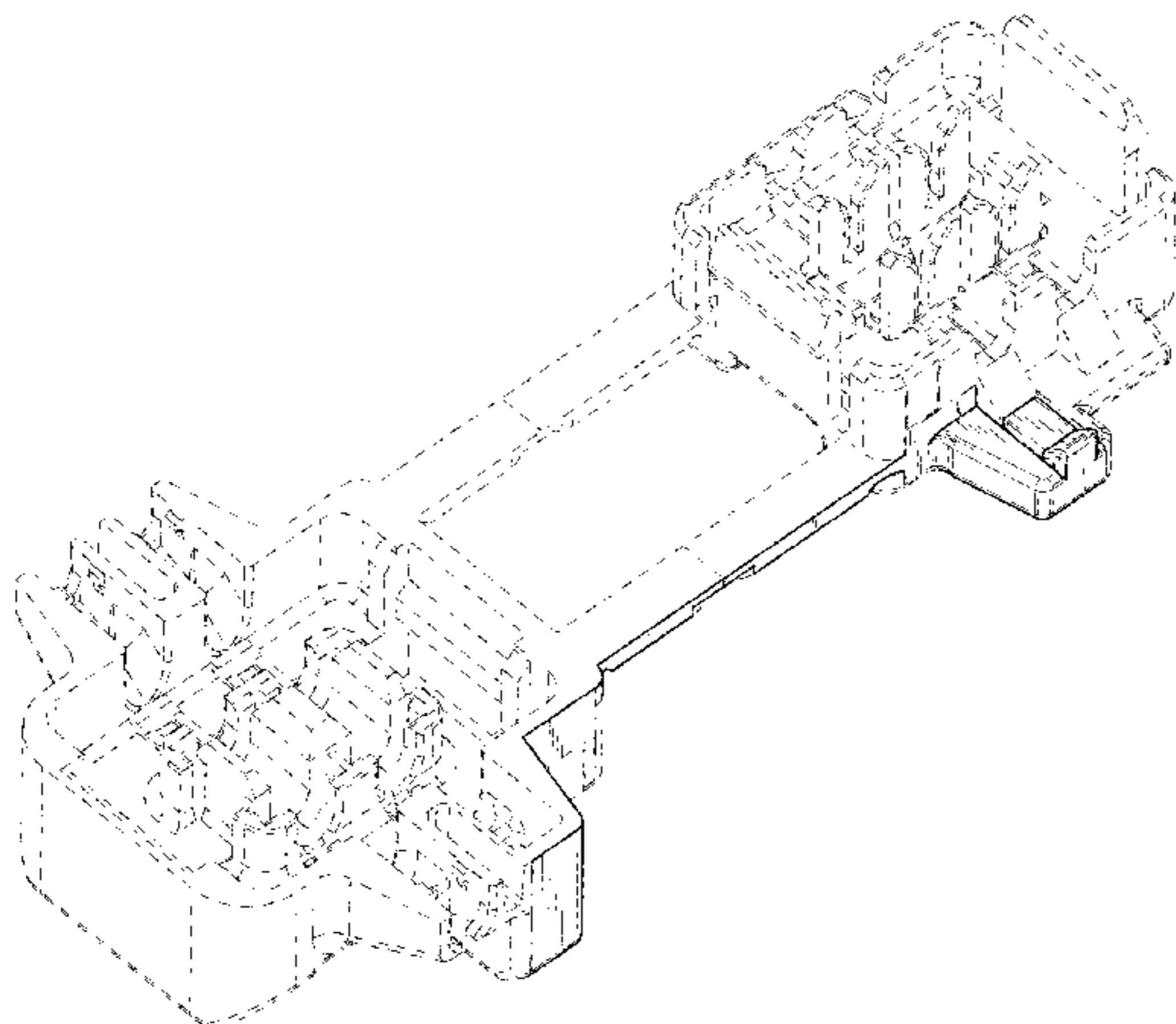
The ornamental design for an electric connector, as shown and described.

**DESCRIPTION**

FIG. 1 is a front perspective view of an electric connector showing our new design;  
 FIG. 2 is a rear perspective view thereof;  
 FIG. 3 is a front view thereof;  
 FIG. 4 is a top view thereof;  
 FIG. 5 is a right side view thereof;  
 FIG. 6 is a left side view thereof;  
 FIG. 7 is a rear view thereof;  
 FIG. 8 is a bottom view thereof.  
 FIG. 9 is a section view taken along line 9-9 in FIG. 8;  
 FIG. 10 is a section view taken along line 10-10 in FIG. 8;  
 and,  
 FIG. 11 is a bottom view thereof in a folded state in an environment of use.

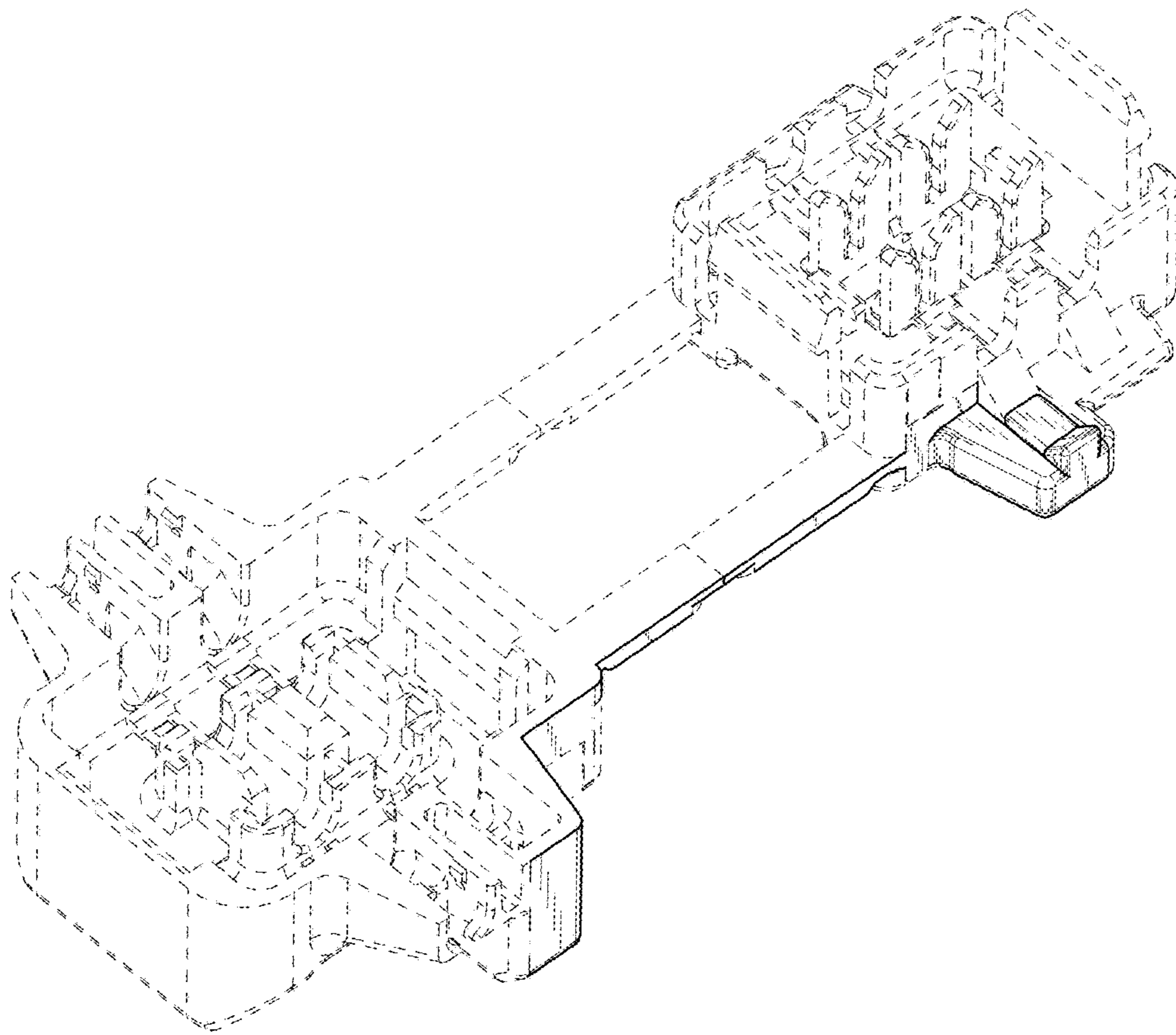
The broken lines shown in the drawings are portions of the article that form no part of the claimed design. The dash-dot-dash broken lines are used to show the boundary between unclaimed and claimed subject matter, and thus form no part of the claimed design. The wires shown in broken lines in FIG. 11 represent environment and form no part of the claimed design.

**1 Claim, 11 Drawing Sheets**

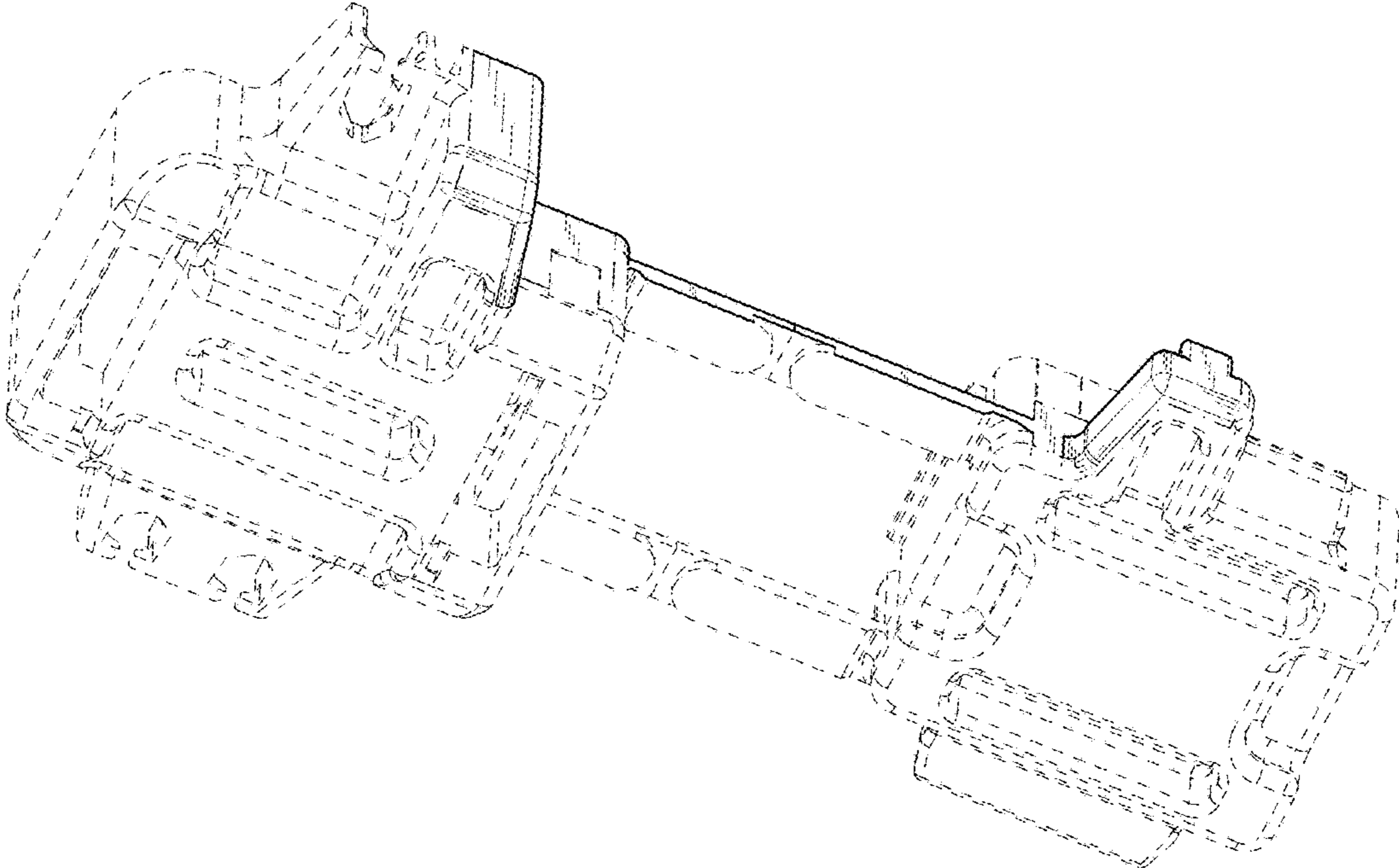




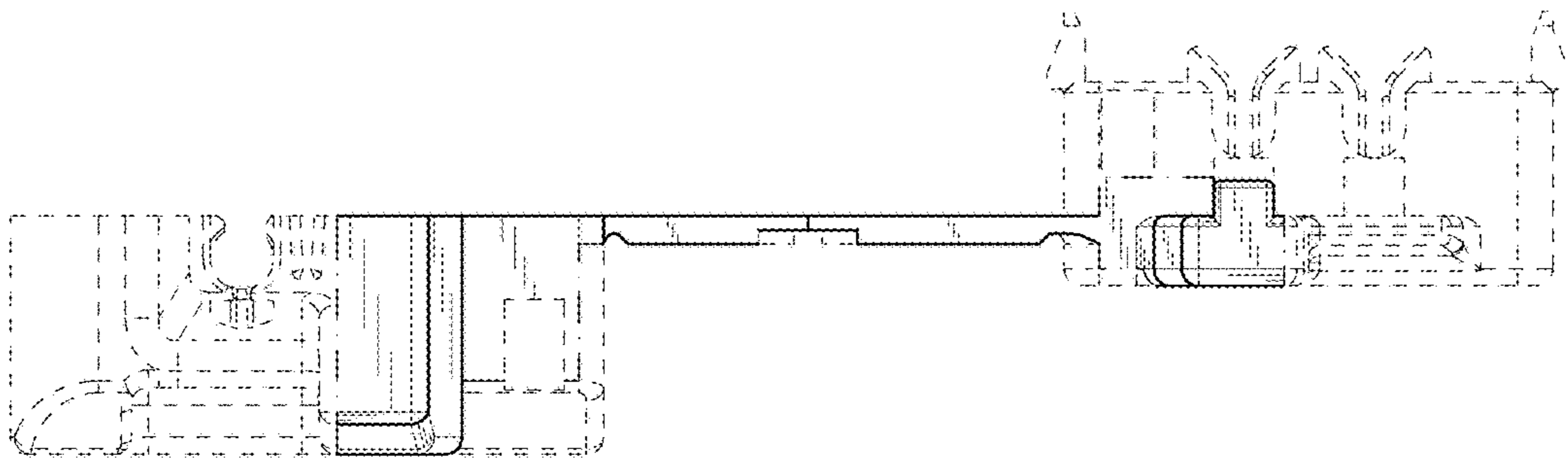
*FIG. 1*



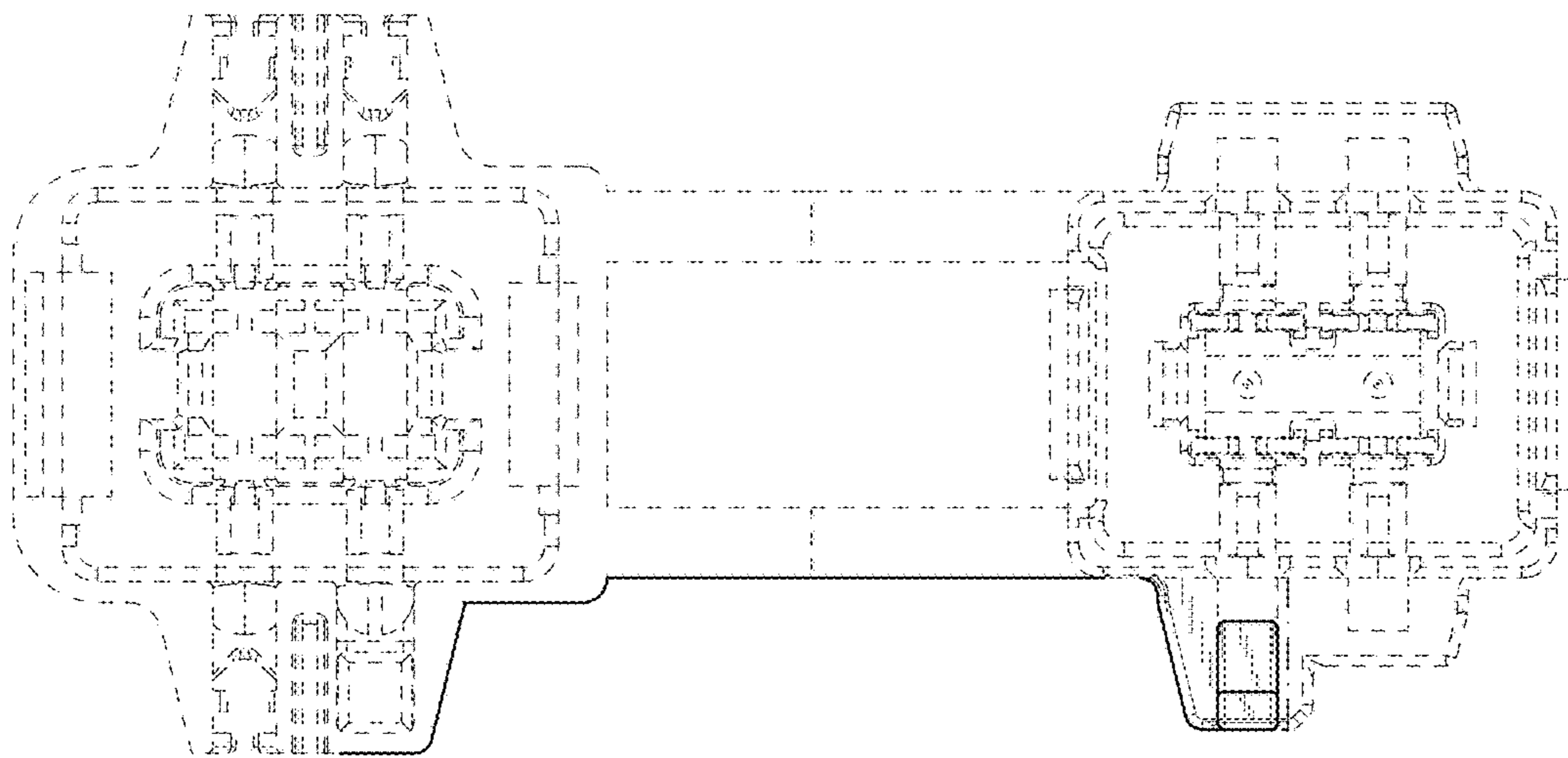
*FIG. 2*



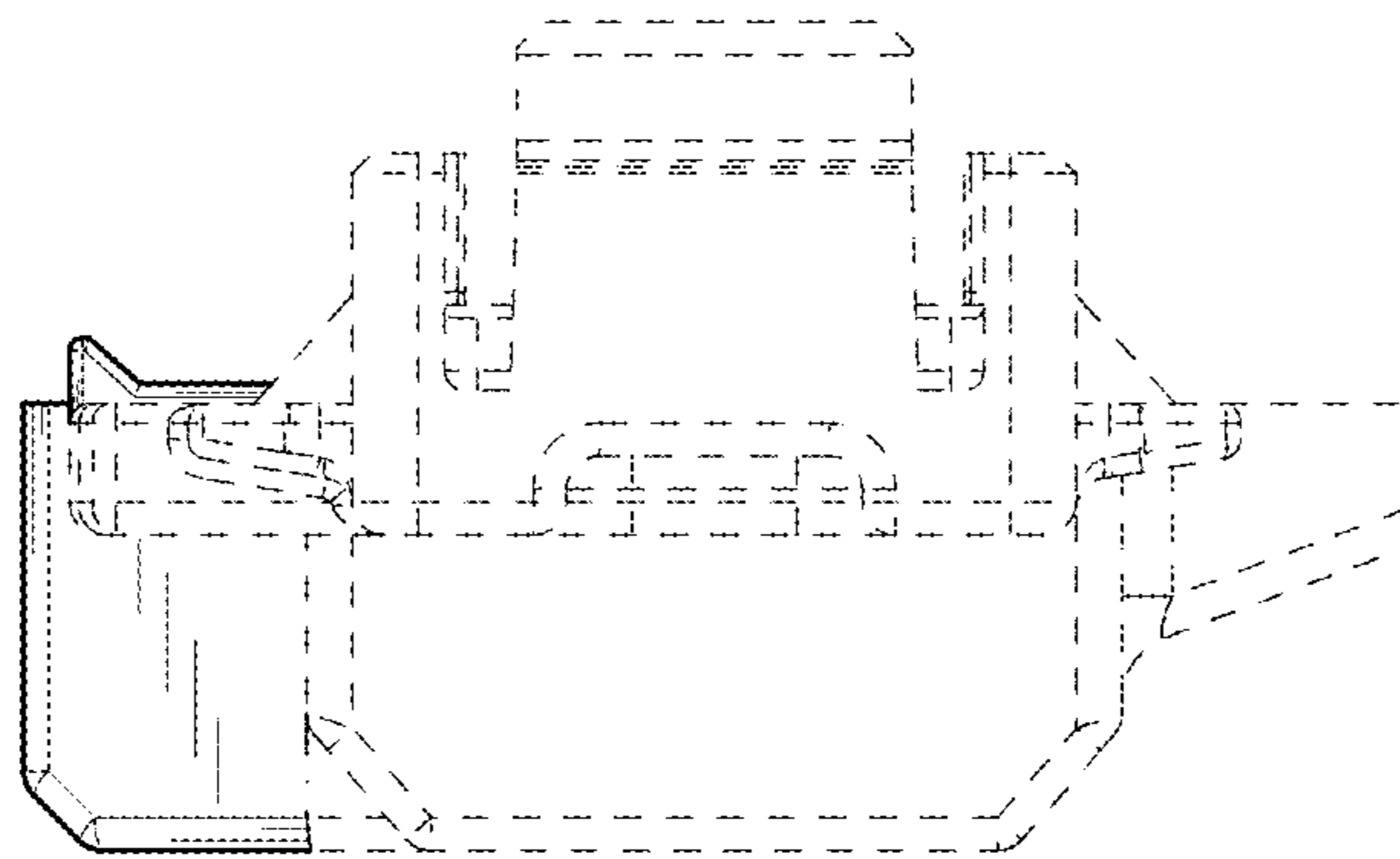
*FIG. 3*



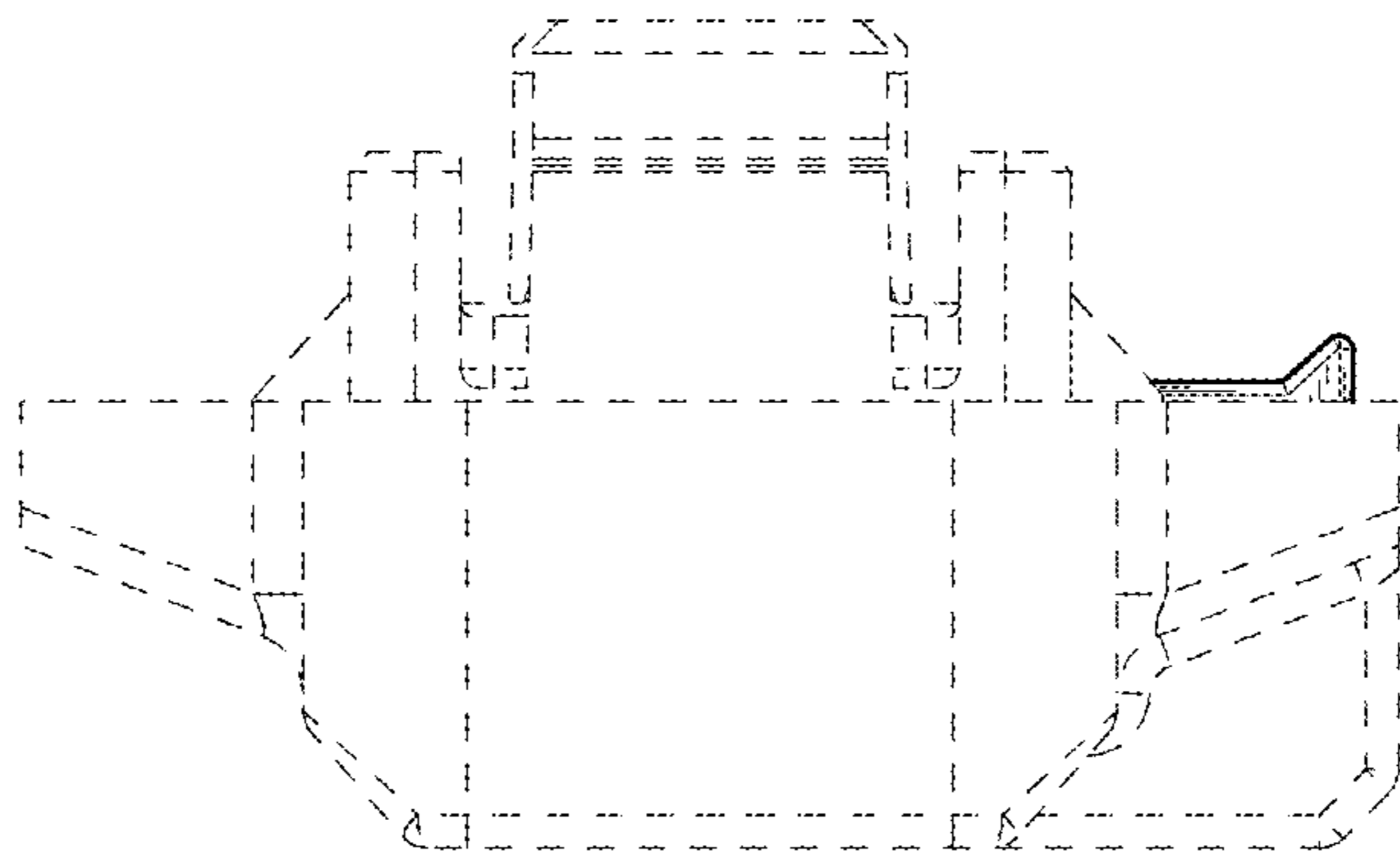
*FIG. 4*



*FIG. 5*

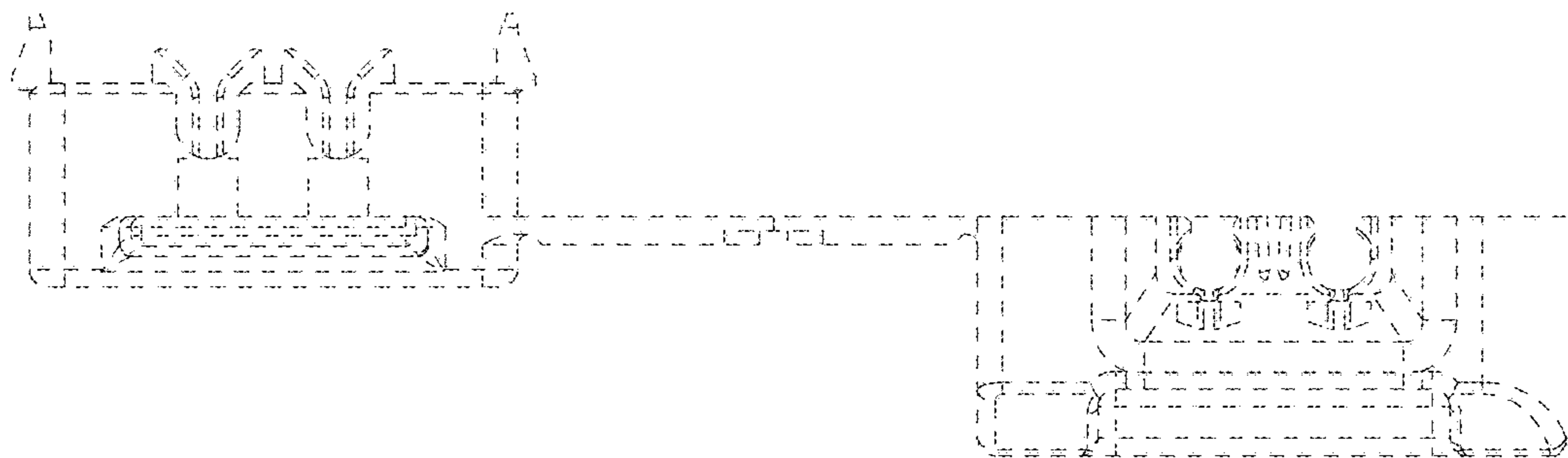


*FIG. 6*

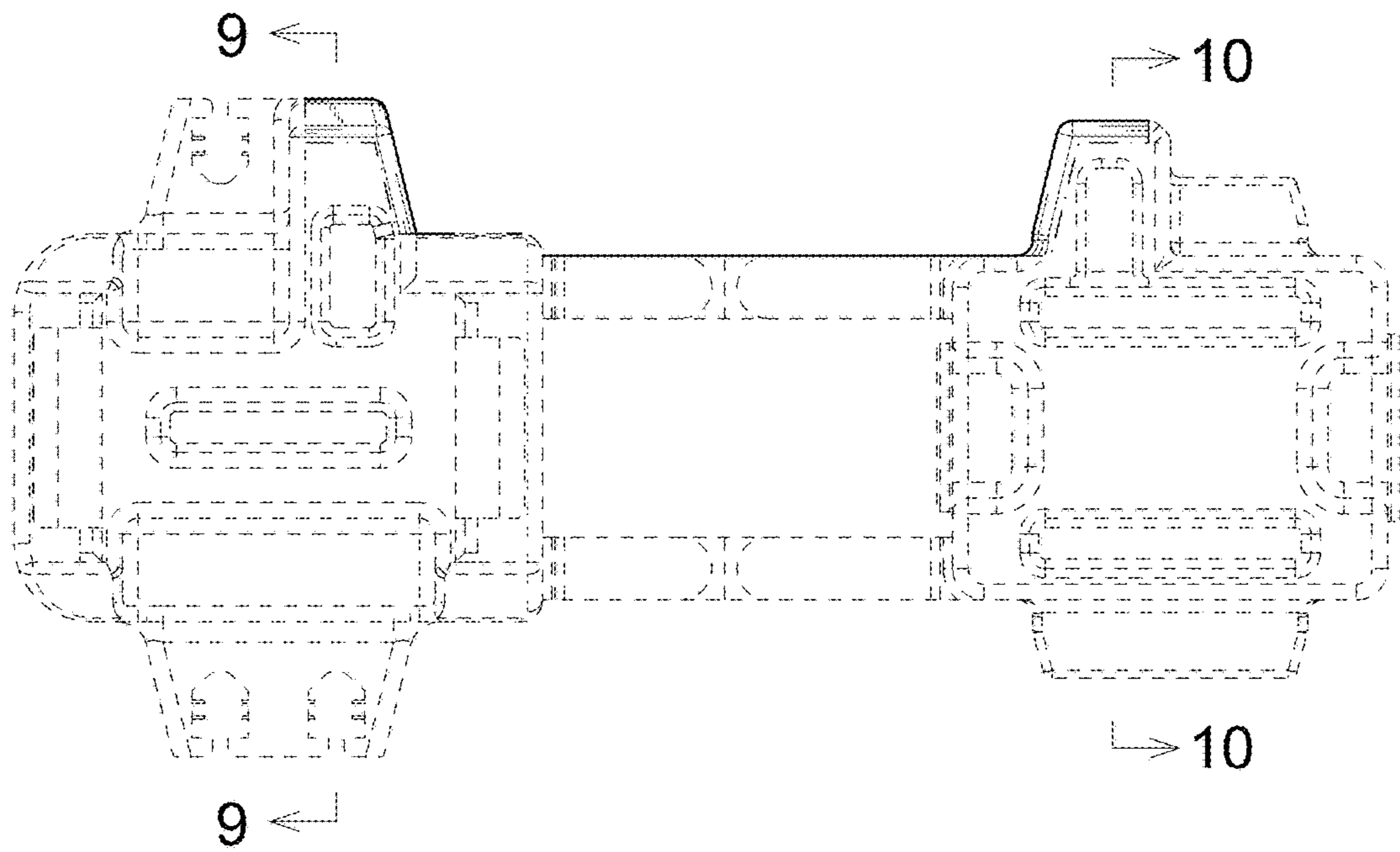




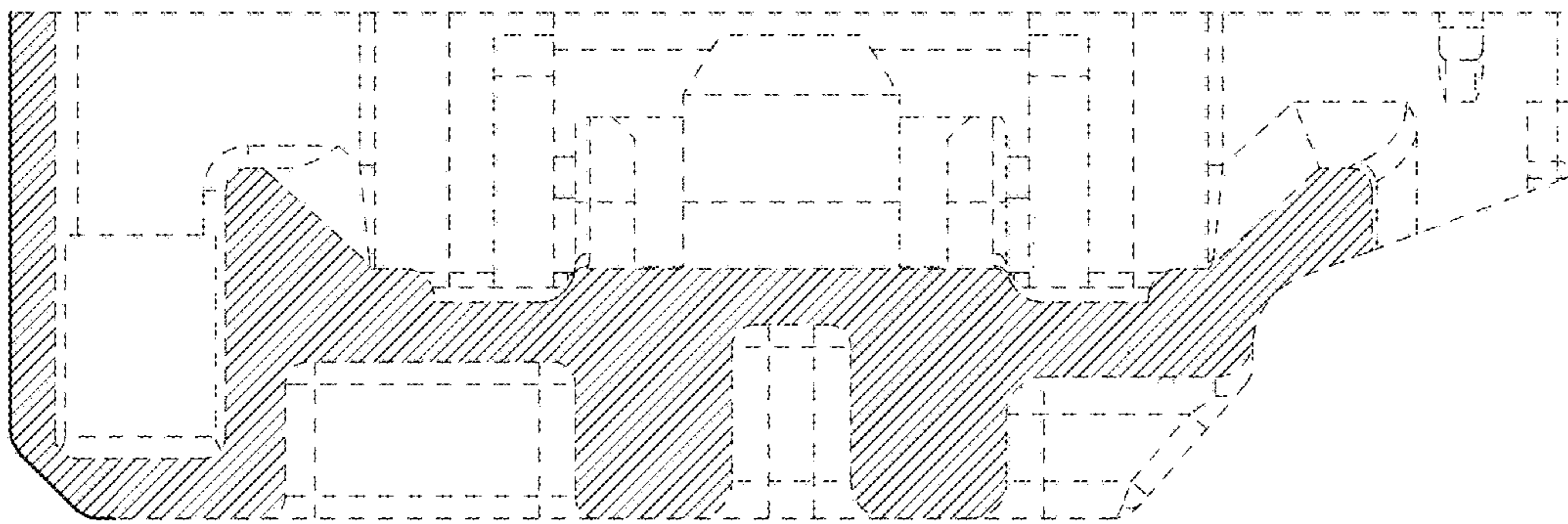
*FIG. 7*



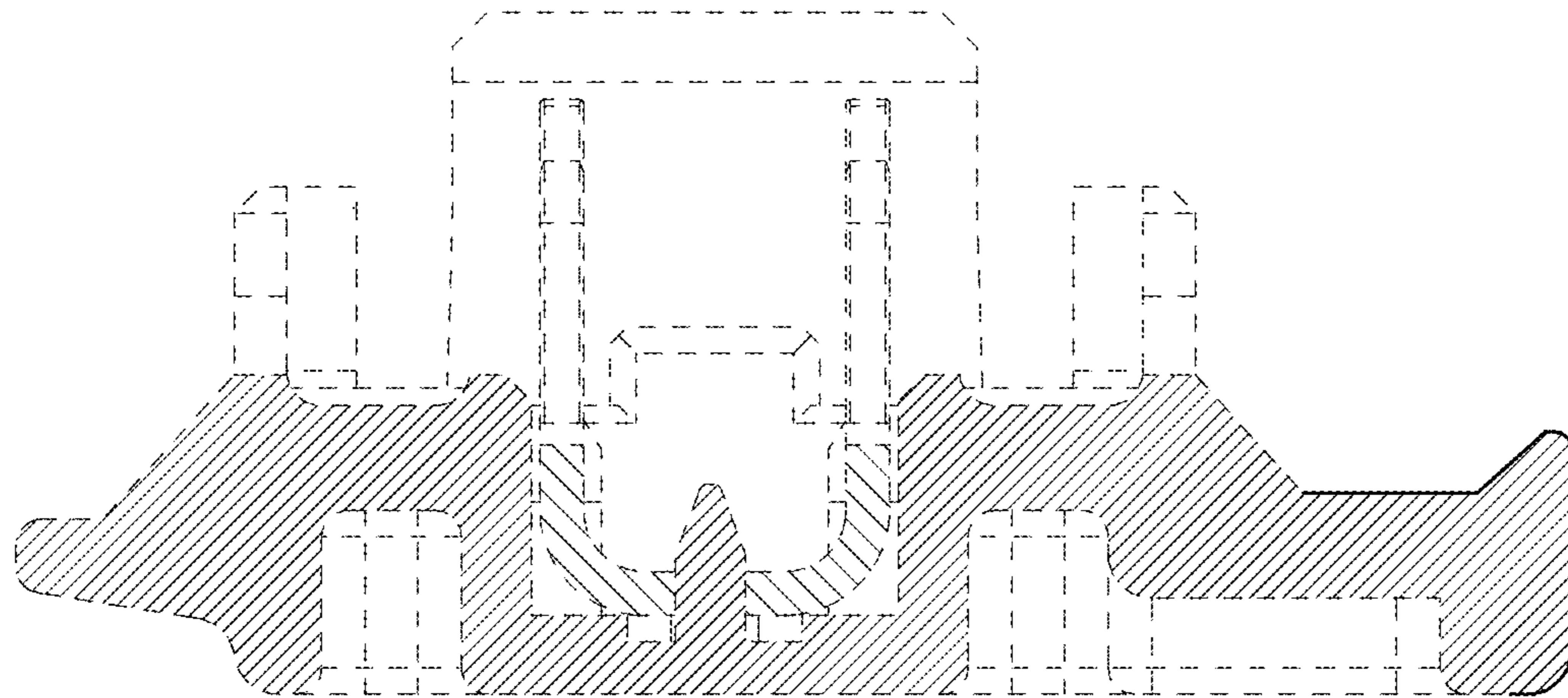
*FIG. 8*



*FIG. 9*



*FIG. 10*



*FIG. 11*

