



US00D828814S

(12) **United States Design Patent**
Senofsky et al.

(10) **Patent No.:** **US D828,814 S**
(45) **Date of Patent:** **** Sep. 18, 2018**

(54) **ELECTRICAL CONNECTOR SYSTEM**

(71) Applicant: **LED Inspirations, LLC**, Cypress, TX (US)

(72) Inventors: **Nicholas William Senofsky**, Cypress, TX (US); **Reed Jeffrey Holland**, Tomball, TX (US); **John Tyler Stenz**, Cypress, TX (US); **James Christopher Koonce**, Cypress, TX (US)

(73) Assignee: **LED Inspirations, LLC**, Cypress, TX (US)

(**) Term: **15 Years**

(21) Appl. No.: **29/562,246**

(22) Filed: **Apr. 24, 2016**

(51) **LOC (11) Cl.** **13-03**

(52) **U.S. Cl.**
USPC **D13/147**

(58) **Field of Classification Search**
USPC D13/123, 133, 146, 147, 154, 184, 199
(Continued)

(56) **References Cited**

U.S. PATENT DOCUMENTS

D563,321 S * 3/2008 Kondas D13/133
D572,194 S * 7/2008 Lin D13/133
(Continued)

OTHER PUBLICATIONS

International Search Report of the International Searching Authority (USPTO) for international application PCT/US2016/029091 dated Jul. 26, 2016.

(Continued)

Primary Examiner — Daniel Bui

(74) *Attorney, Agent, or Firm* — Basil M. Angelo; Angelo Mikeska PLLC

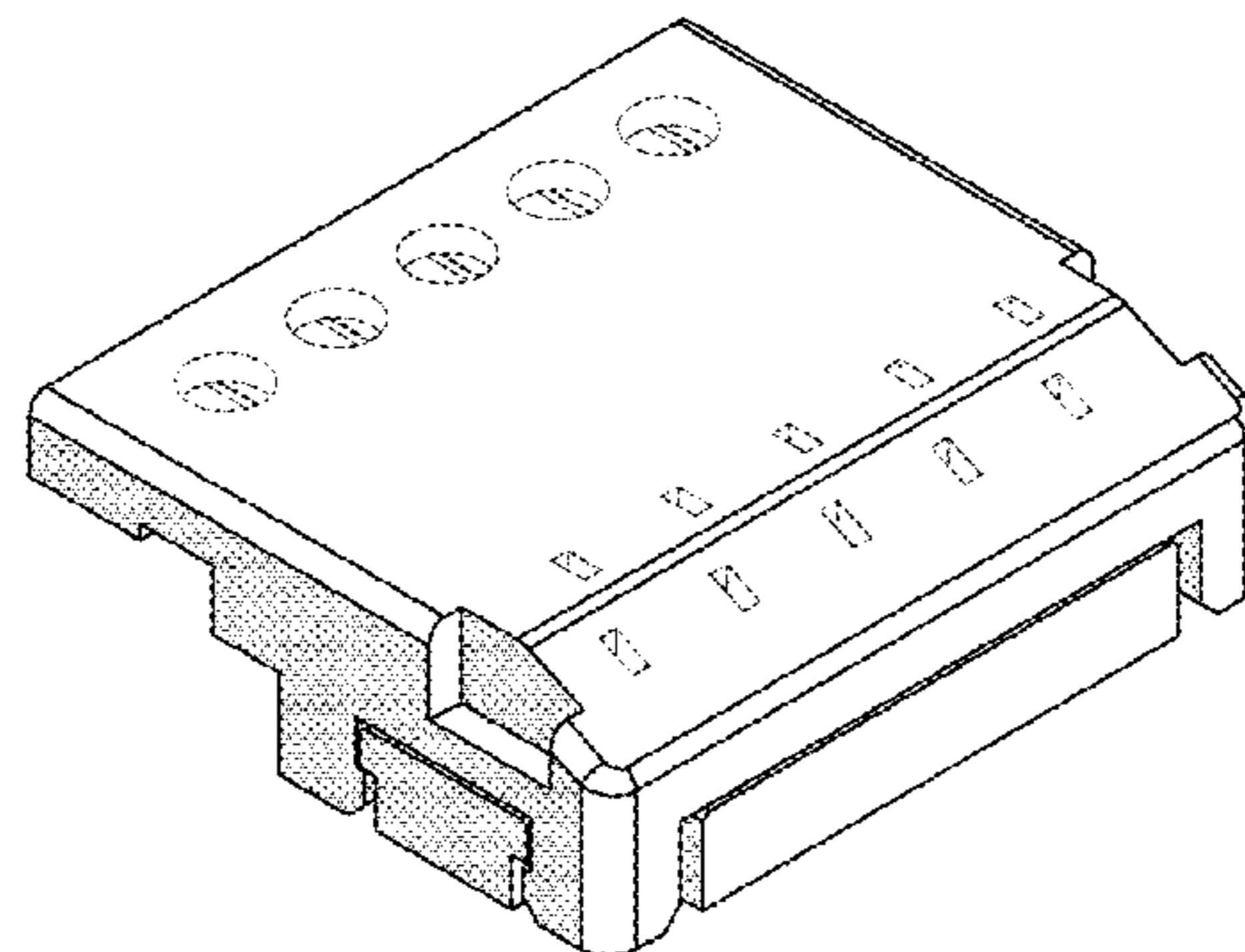
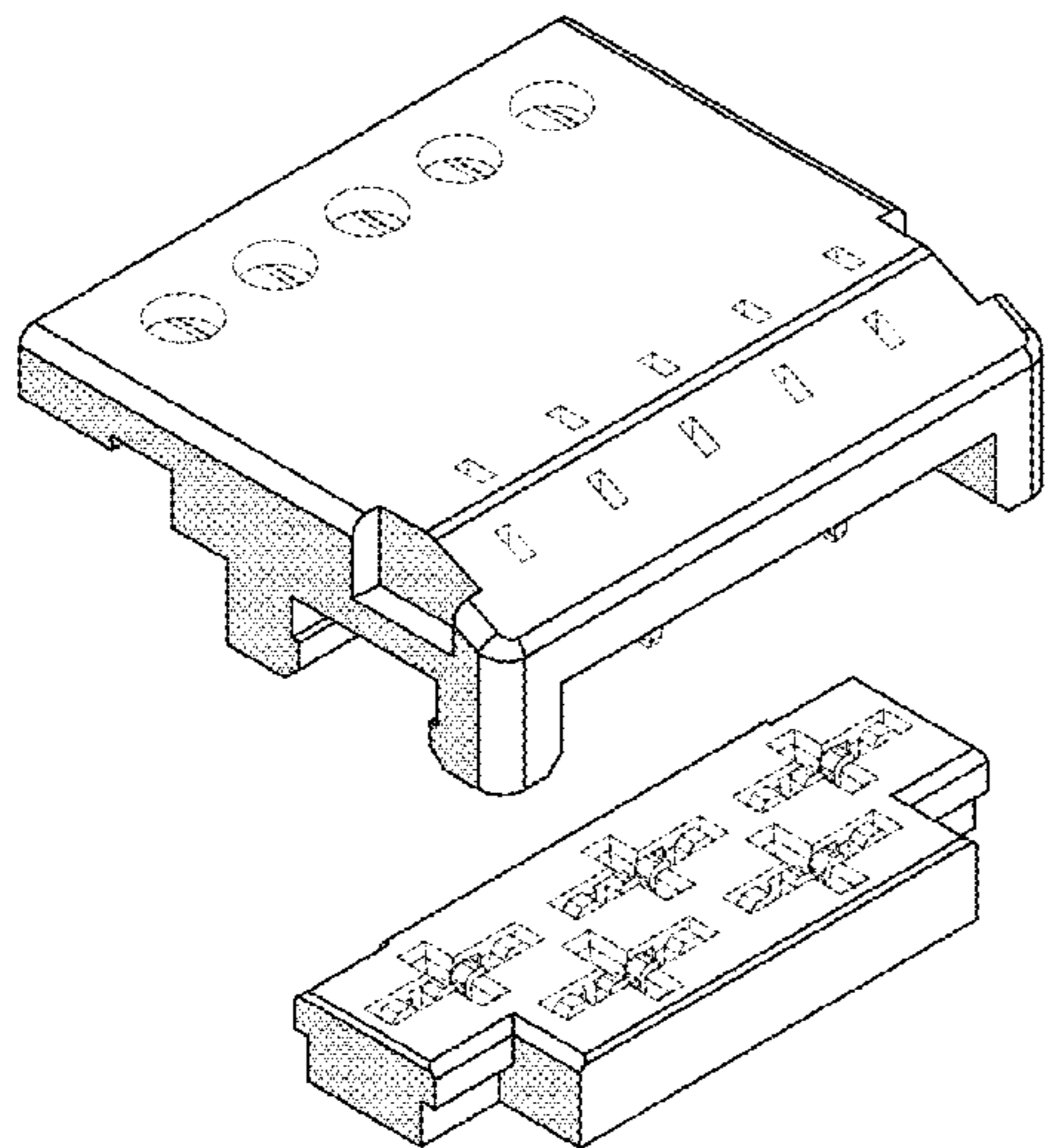
(57) **CLAIM**

The ornamental design for an electrical connector system, as shown and described.

DESCRIPTION

FIG. 1 is a top and left side perspective view of an electrical connector system, which consists of a connector and a header in a disconnected state, showing our new design; FIG. 2 is a top and left side perspective view thereof, in a connected state; FIG. 3 is a top and left side perspective view of the connector of the electrical connector system thereof; FIG. 4 is a bottom perspective view thereof; FIG. 5 is a top plan view thereof; FIG. 6 is a bottom plan view thereof; FIG. 7 is a front elevation view thereof; FIG. 8 is a rear elevation view thereof; FIG. 9 is a right side elevation view thereof; FIG. 10 is a left side elevation view thereof; FIG. 11 is a top and left side perspective view of the header of the electrical connector system thereof; FIG. 12 is a bottom perspective view thereof; FIG. 13 is a top plan view thereof; FIG. 14 is a bottom plan view thereof; FIG. 15 is a front elevation view thereof; FIG. 16 is a rear elevation view thereof; FIG. 17 is a right side elevation view thereof; FIG. 18 is a left side elevation view thereof; FIG. 19 is a top and right side perspective view of an electrical connector system, which consists of a connector and a header in a disconnected state and in use condition; and, FIG. 20 is a top and right side perspective view of an electrical connector system, which consists of a connector and a header in a connected state and in use condition. The broken lines in the figures show portions of the electrical connector system, or environmental structure, which form no part of the claimed design.

1 Claim, 16 Drawing Sheets



(58) **Field of Classification Search**

CPC H01R 12/24; H01R 12/71; H01R 13/04;
H01R 13/10; H01R 13/502; H01R
13/514; H01R 23/7068; H01R 23/7073
See application file for complete search history.

(56) **References Cited**

U.S. PATENT DOCUMENTS

7,841,872 B2 * 11/2010 Zhang H01R 12/712
439/79
D635,978 S * 4/2011 Chen D14/434
8,206,159 B2 * 6/2012 Naito H01R 12/7082
439/65
9,531,121 B1 * 12/2016 Senofsky H01R 12/716
9,742,109 B1 * 8/2017 Senofsky H01R 13/6273
9,948,022 B2 * 4/2018 Arai H01R 13/5202

OTHER PUBLICATIONS

Written Opinion of the International Searching Authority (USPTO)
for international application PCT/US2016/029091 dated Jul. 26,
2016.

* cited by examiner

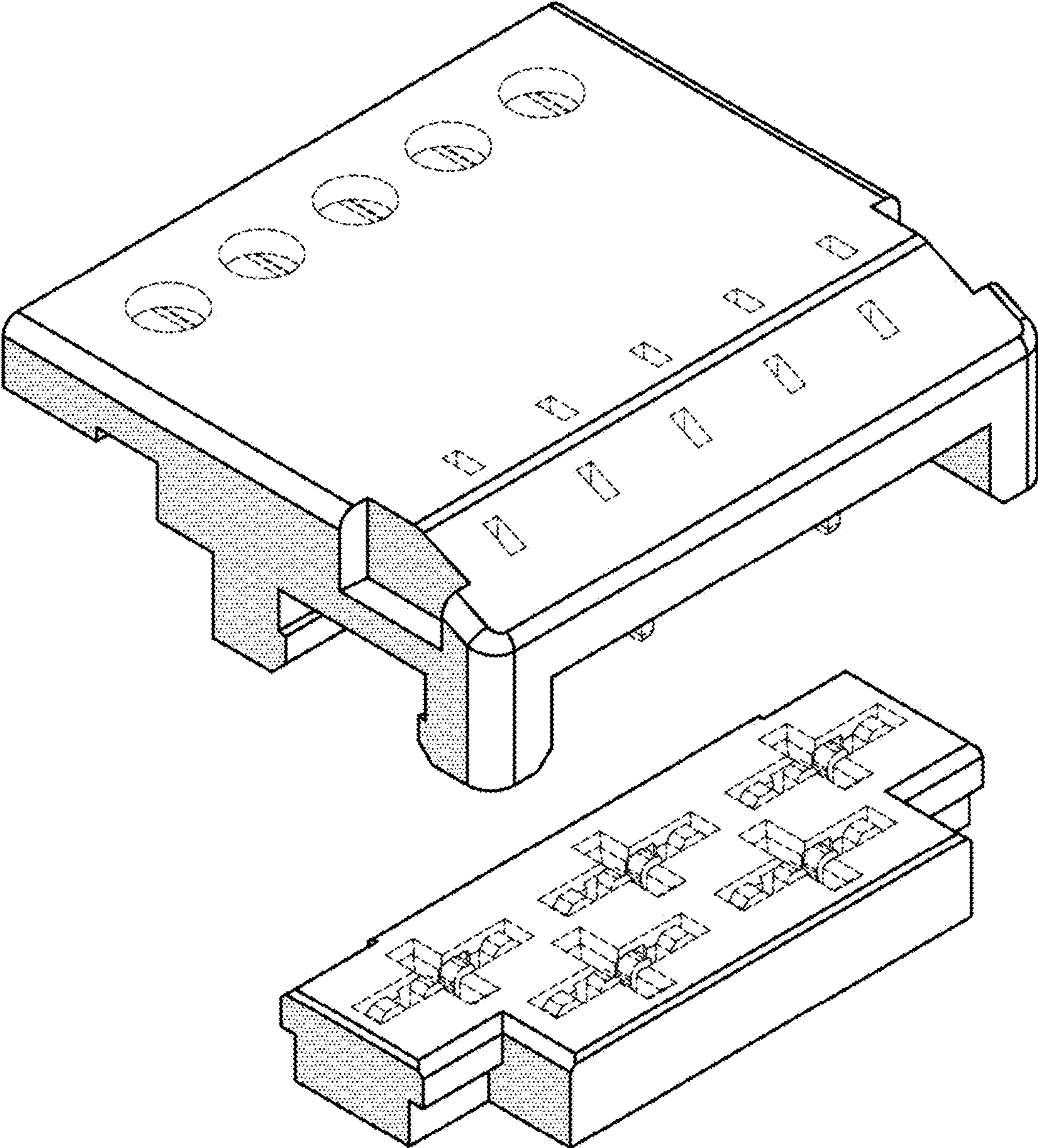


FIG. 1

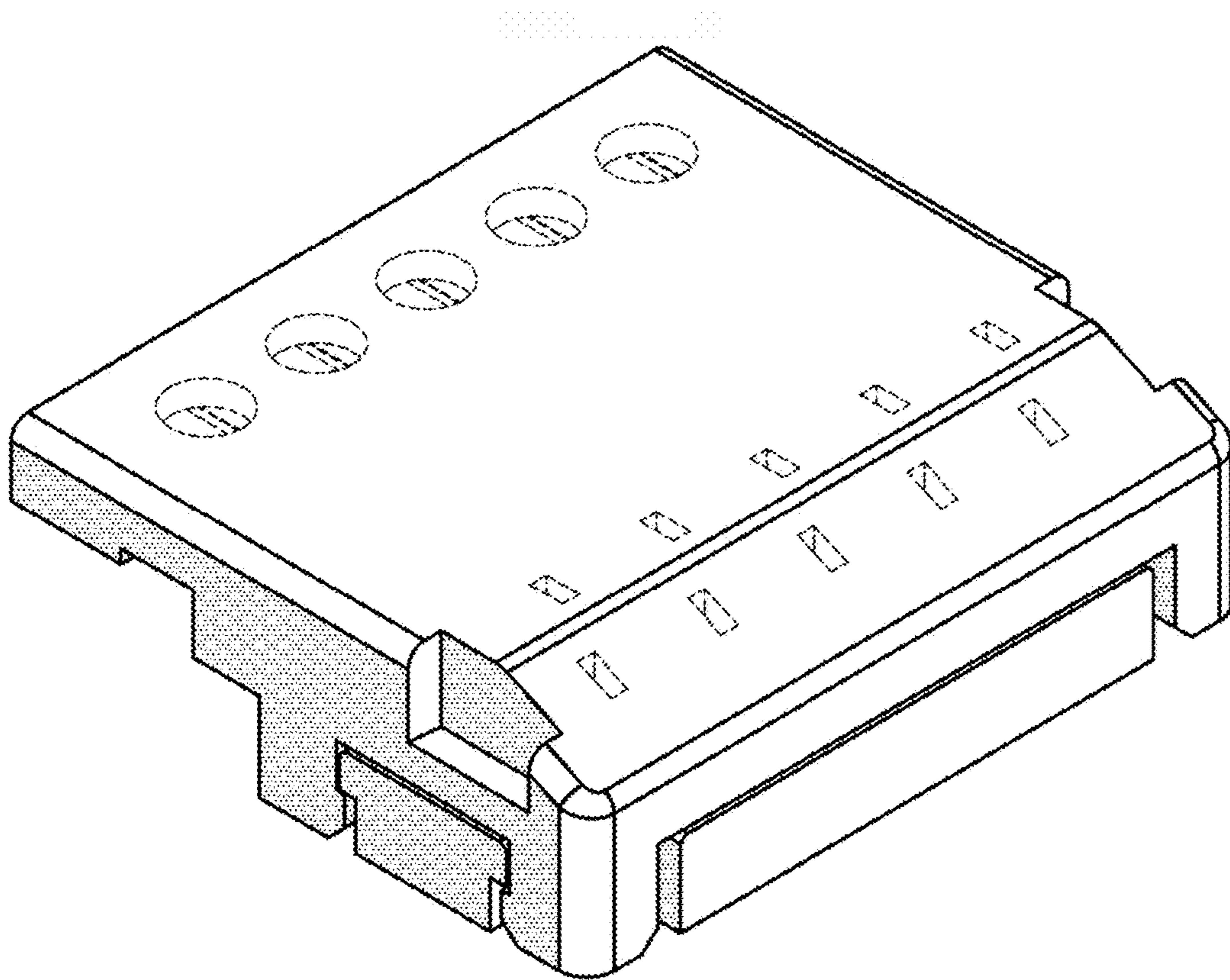


FIG. 2

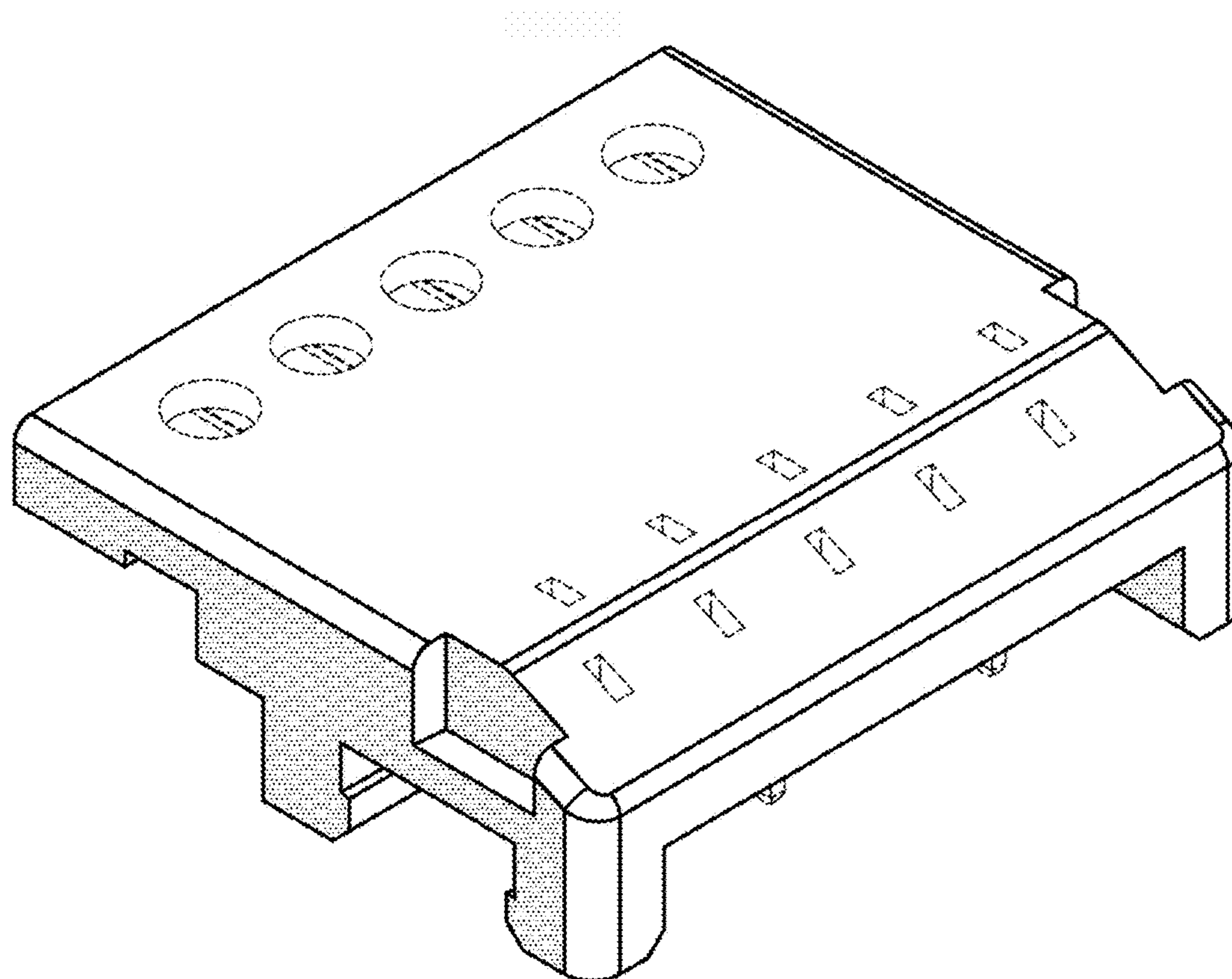


FIG. 3

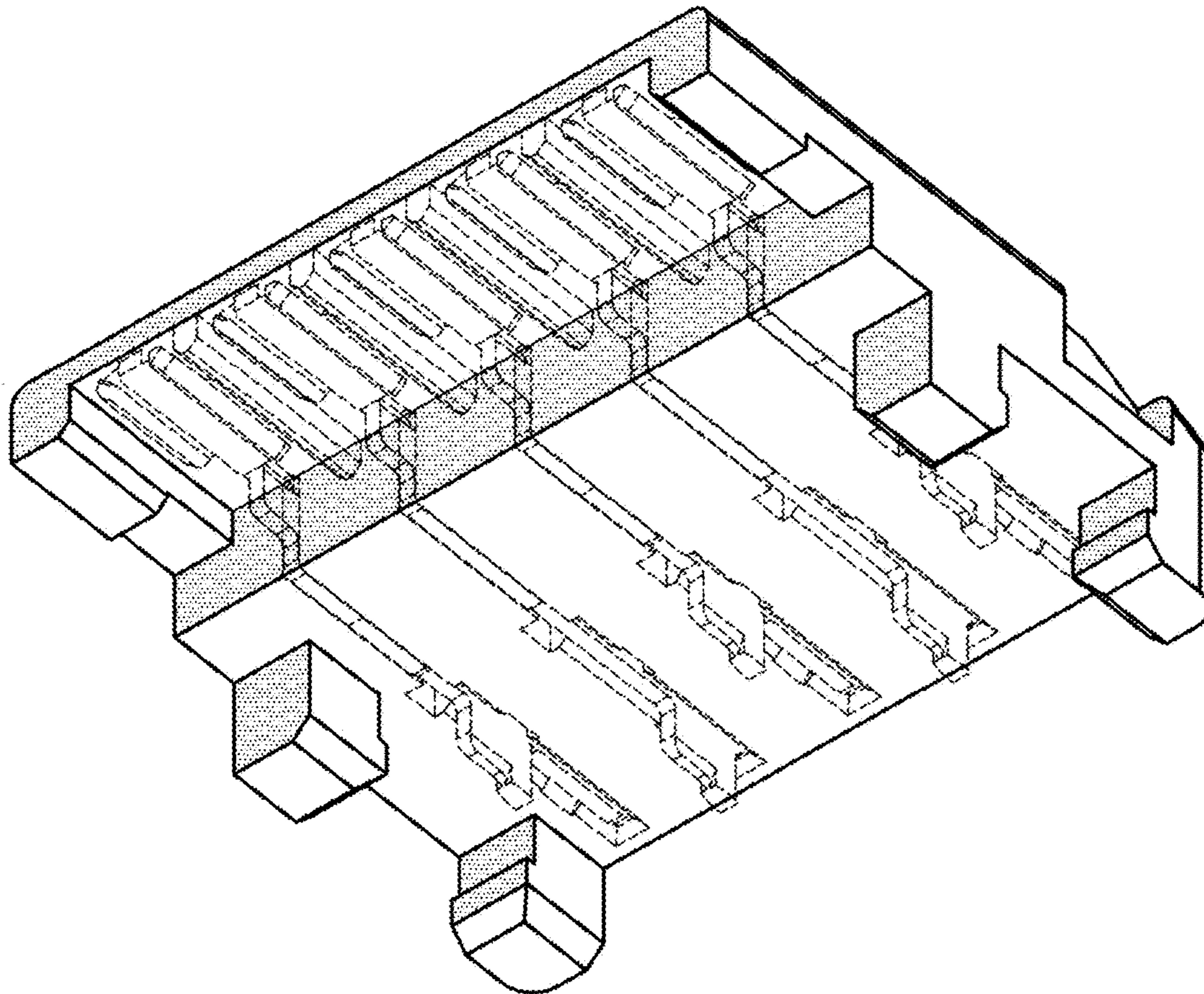


FIG. 4

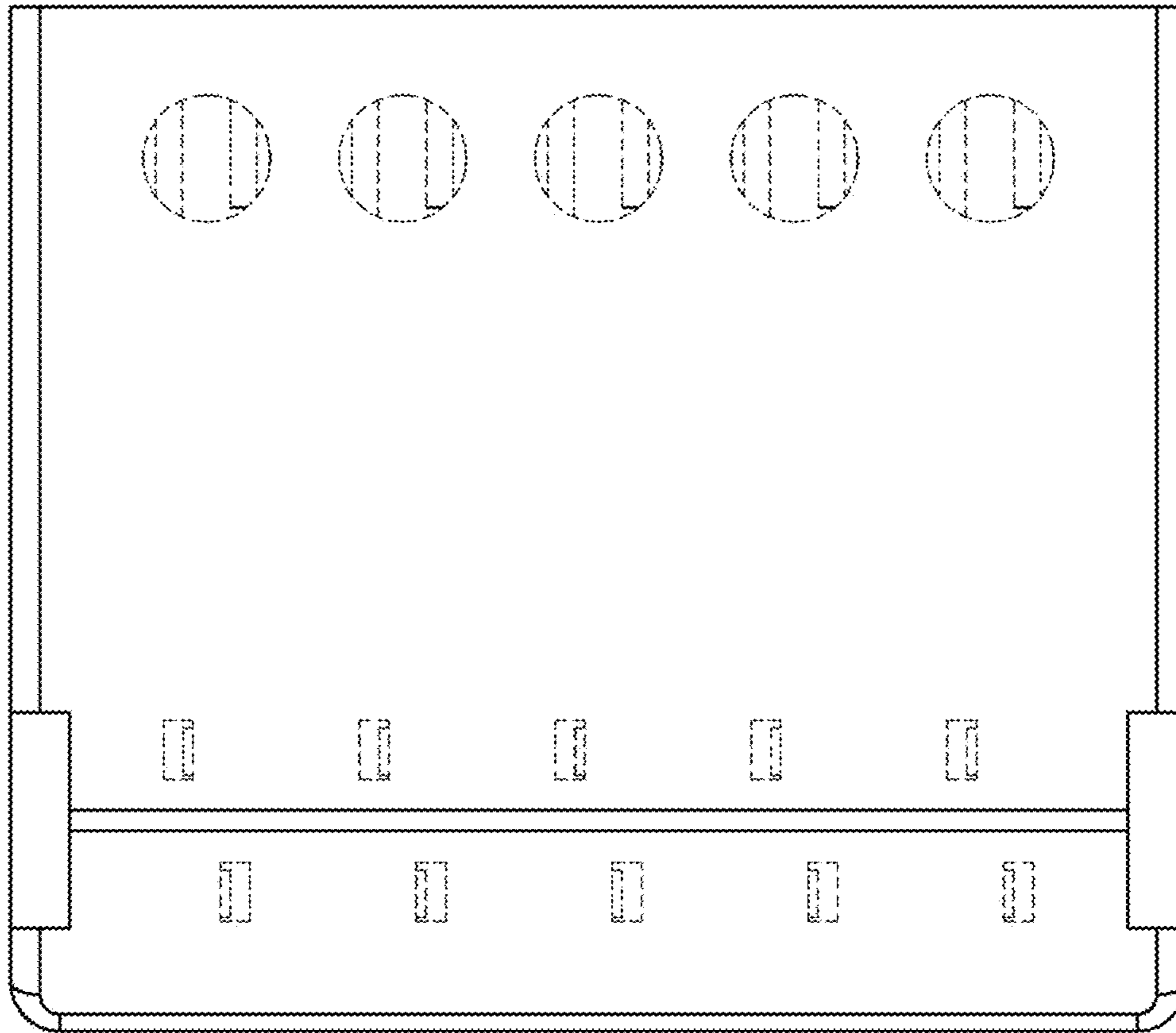


FIG. 5

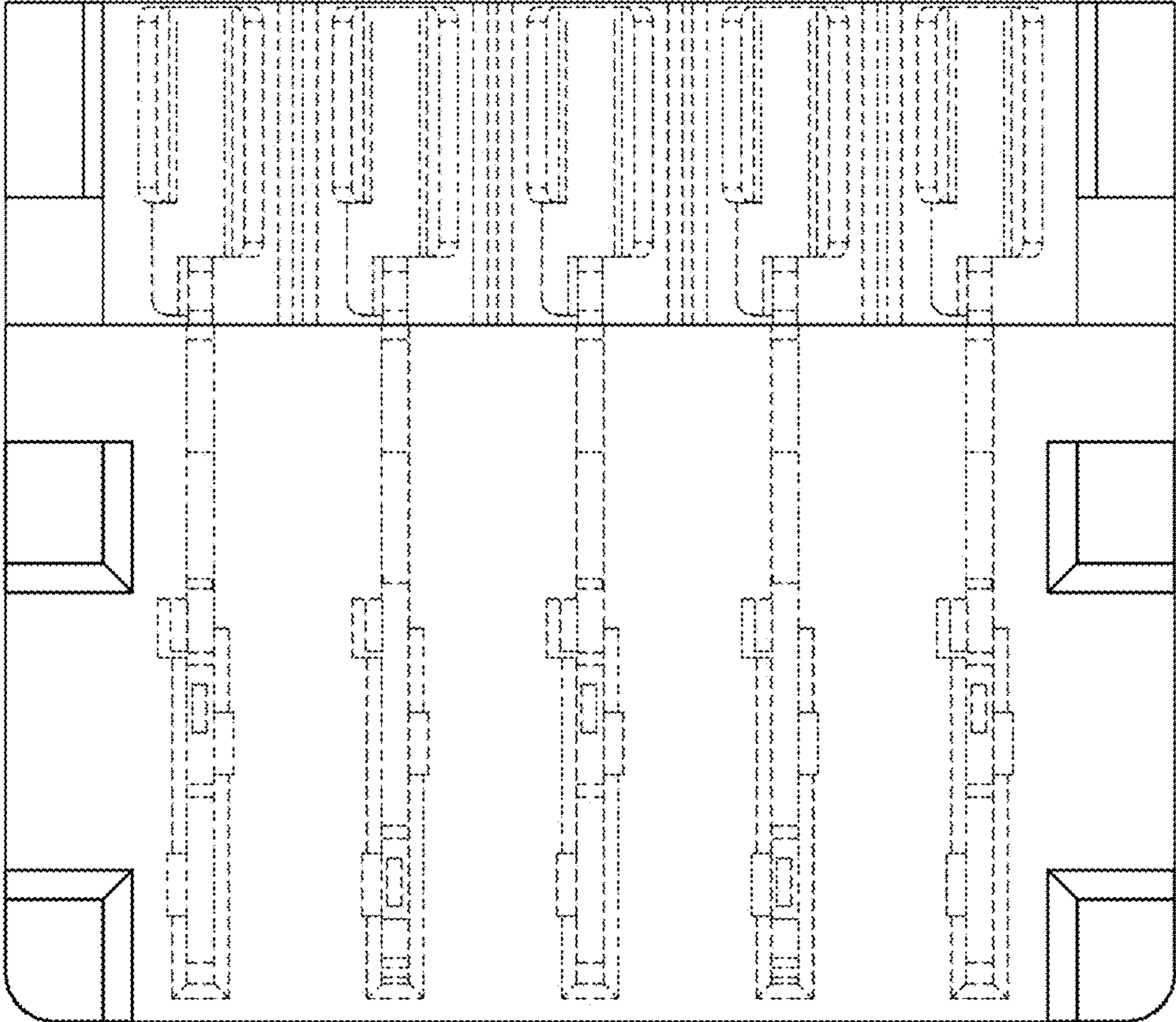


FIG. 6

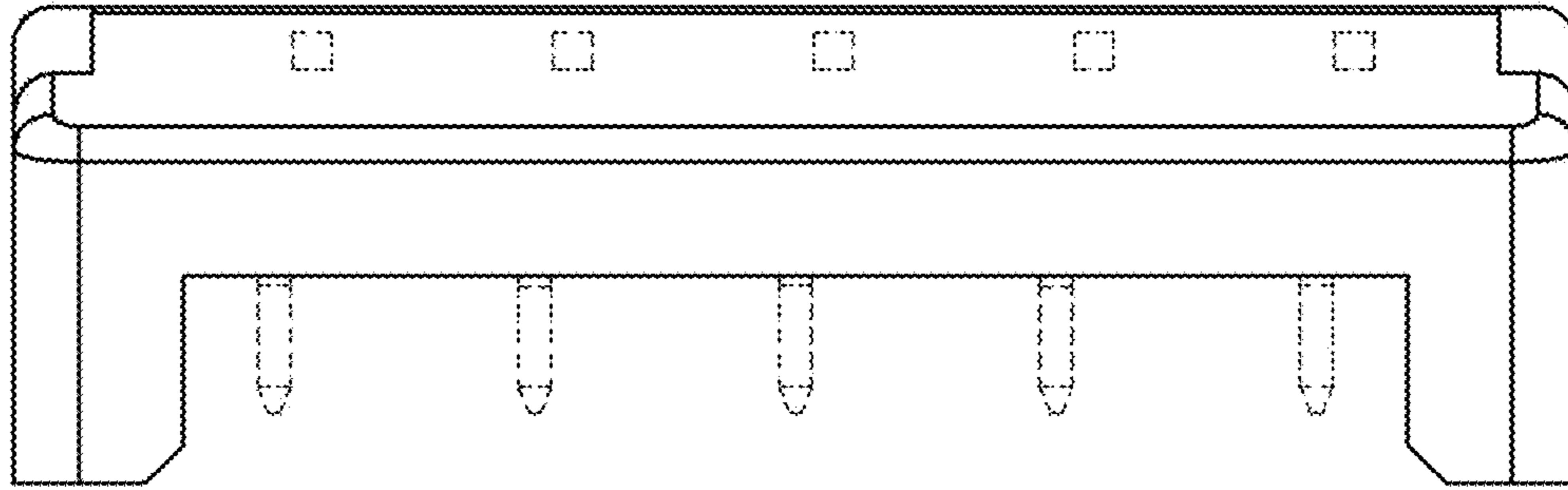


FIG. 7

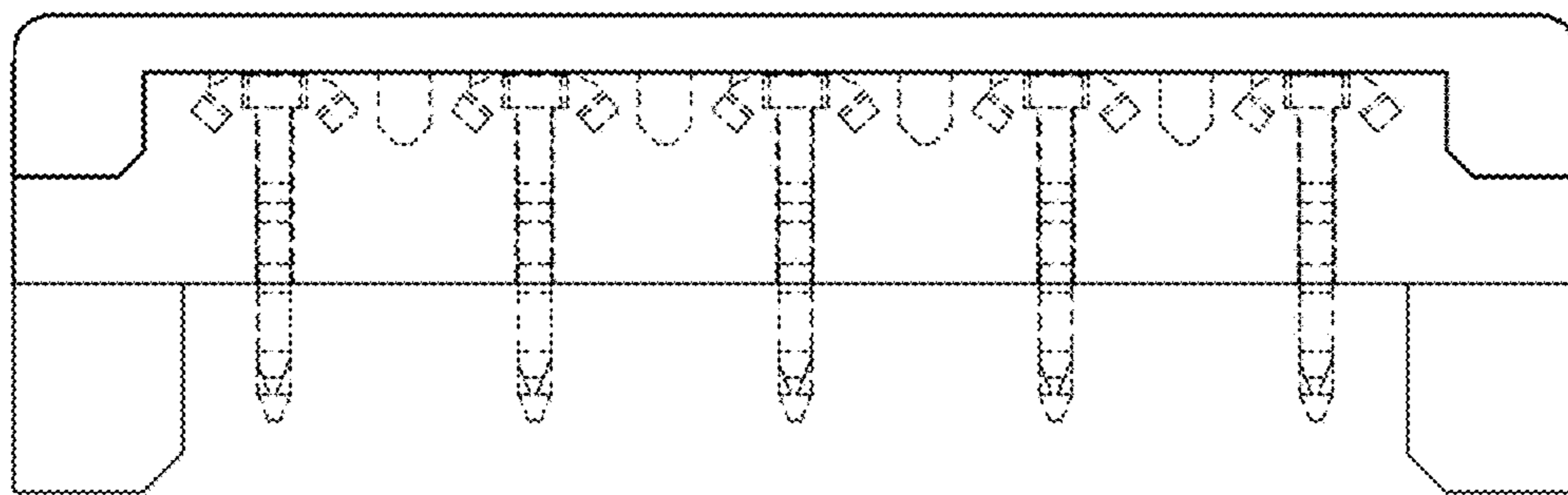


FIG. 8

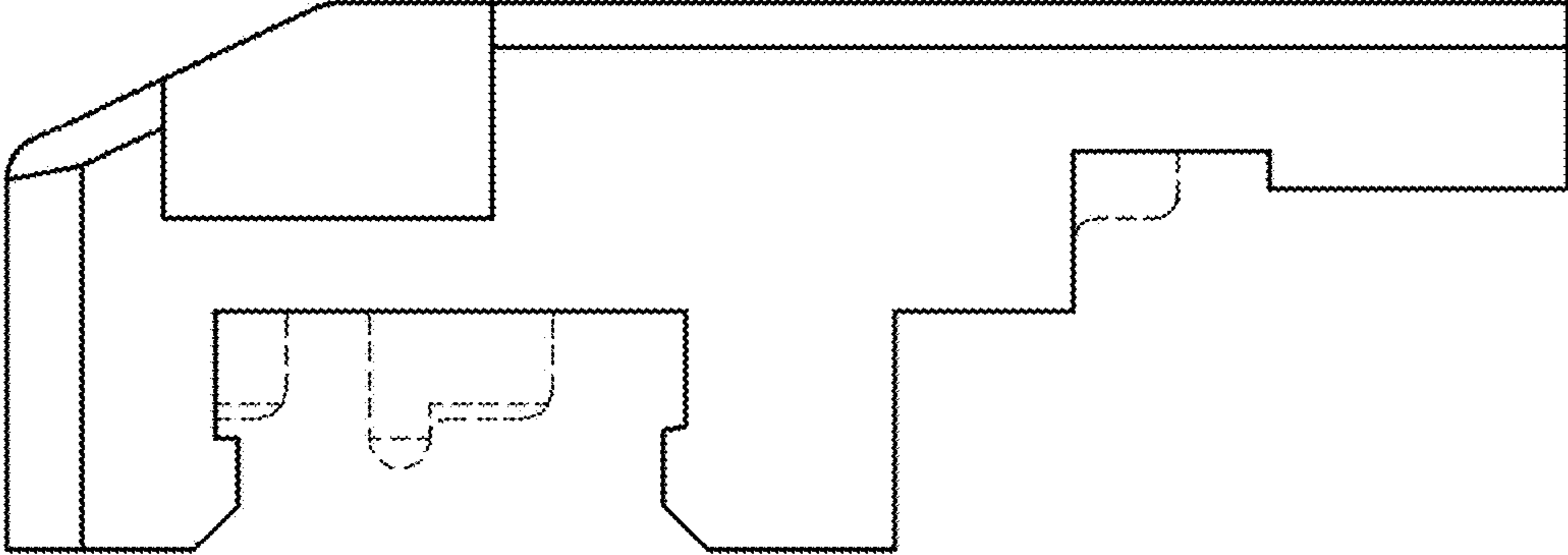


FIG. 9

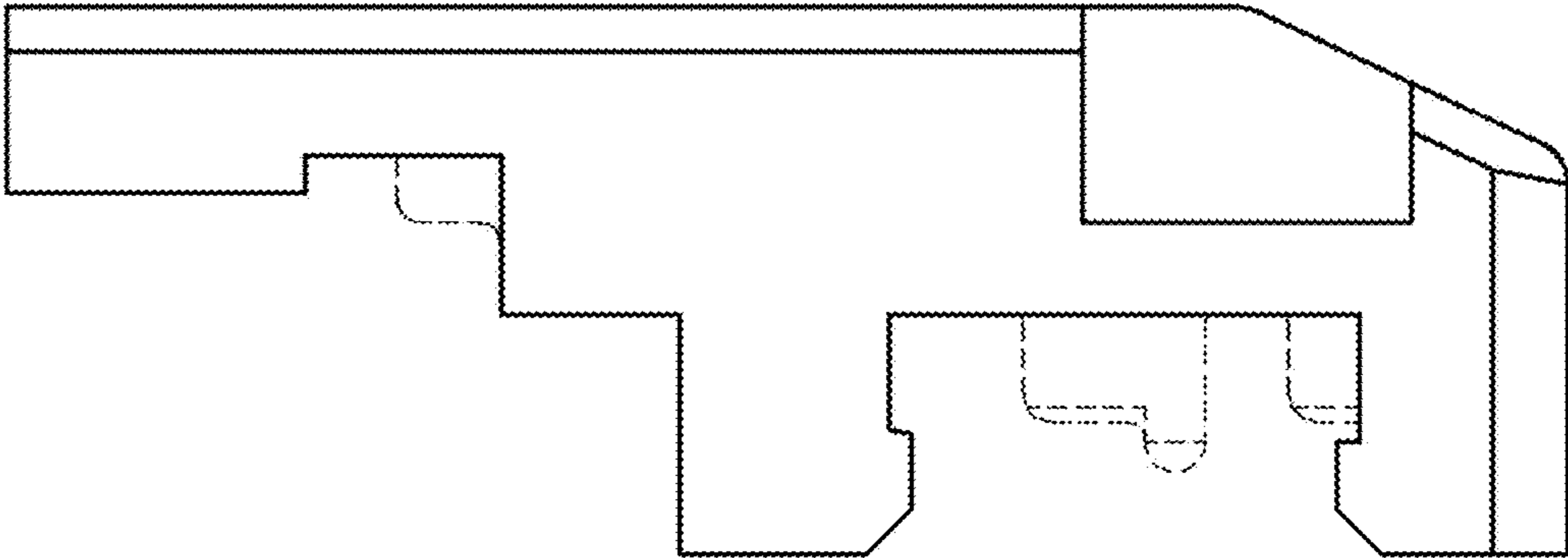


FIG. 10

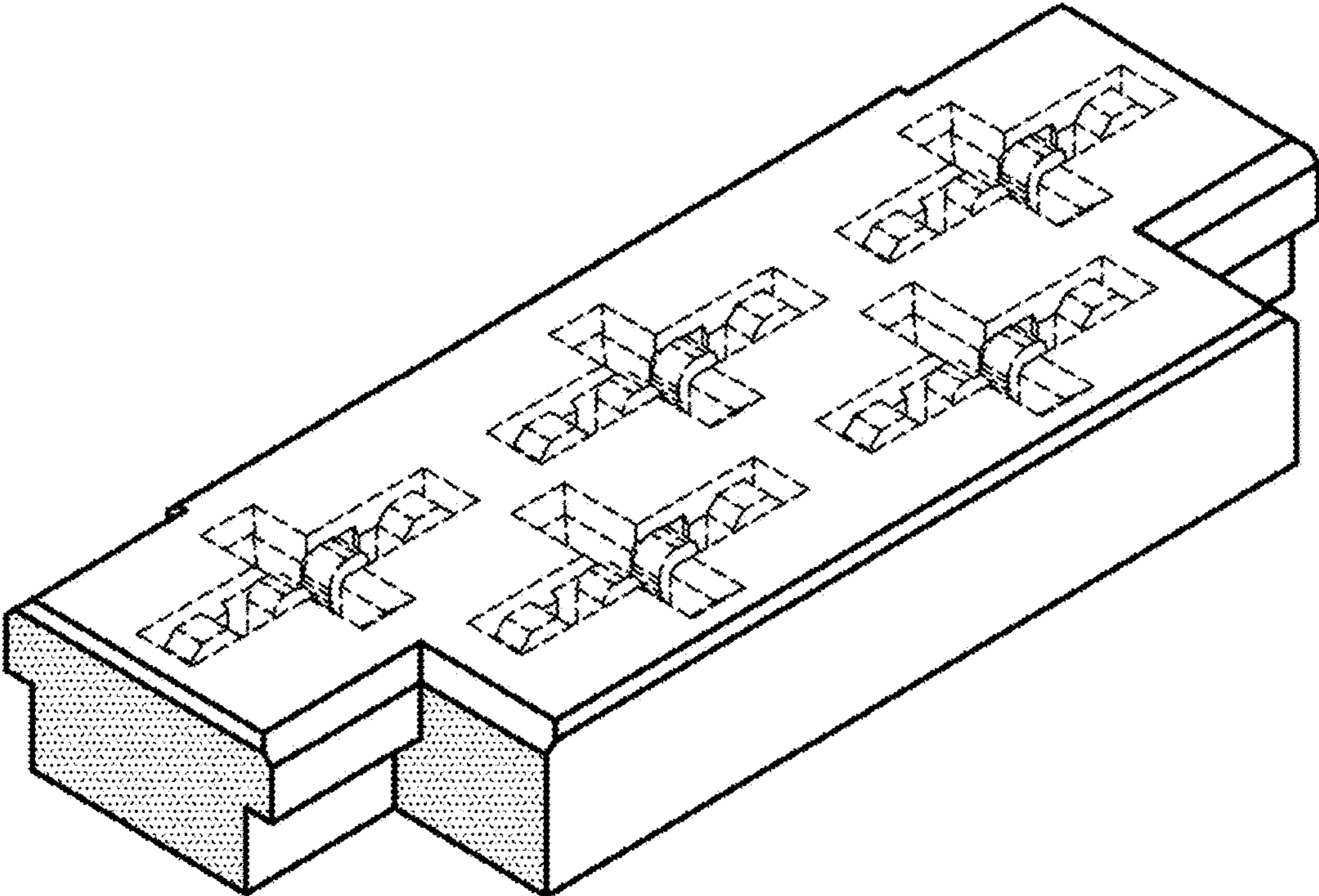


FIG. 11

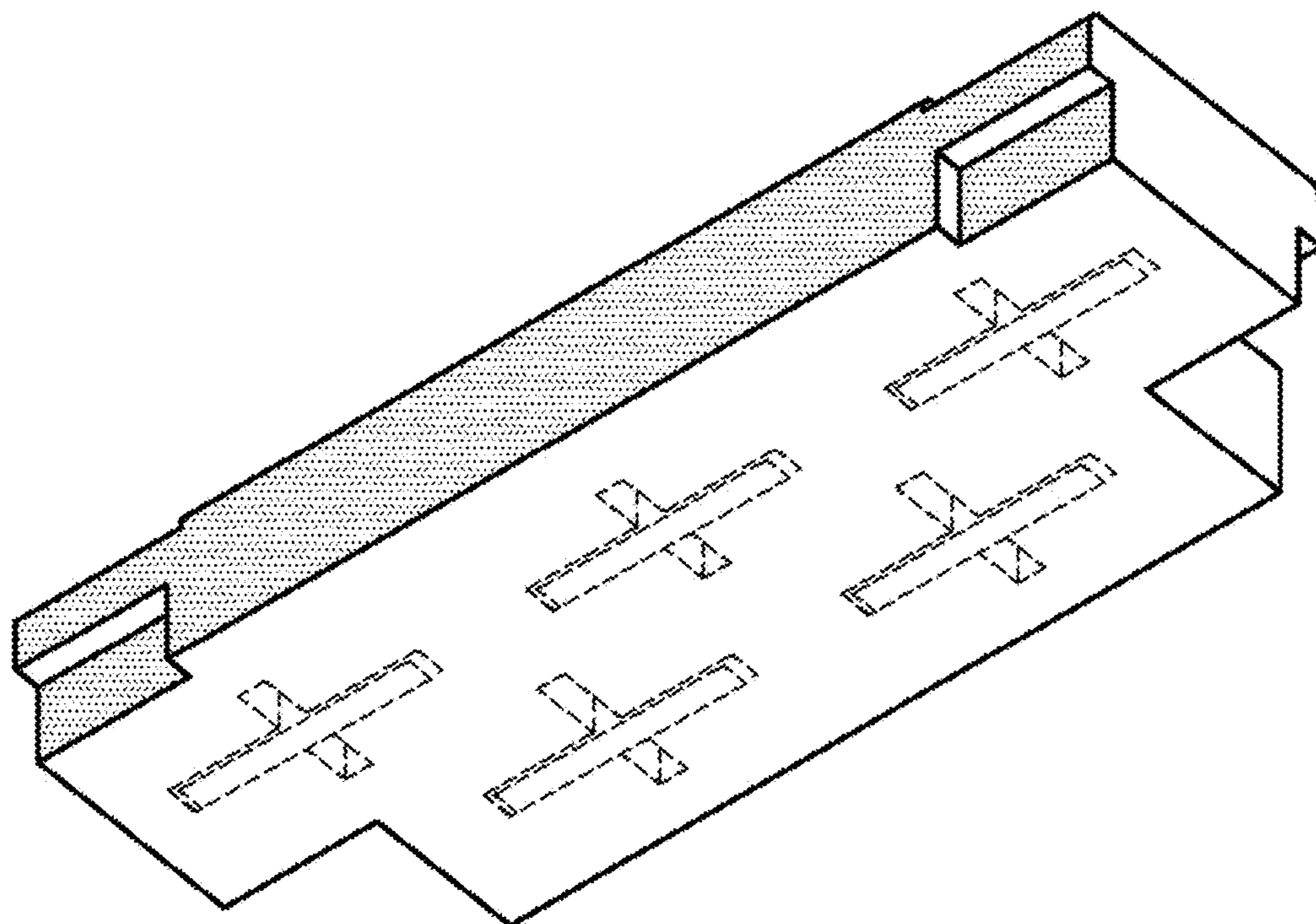


FIG. 12

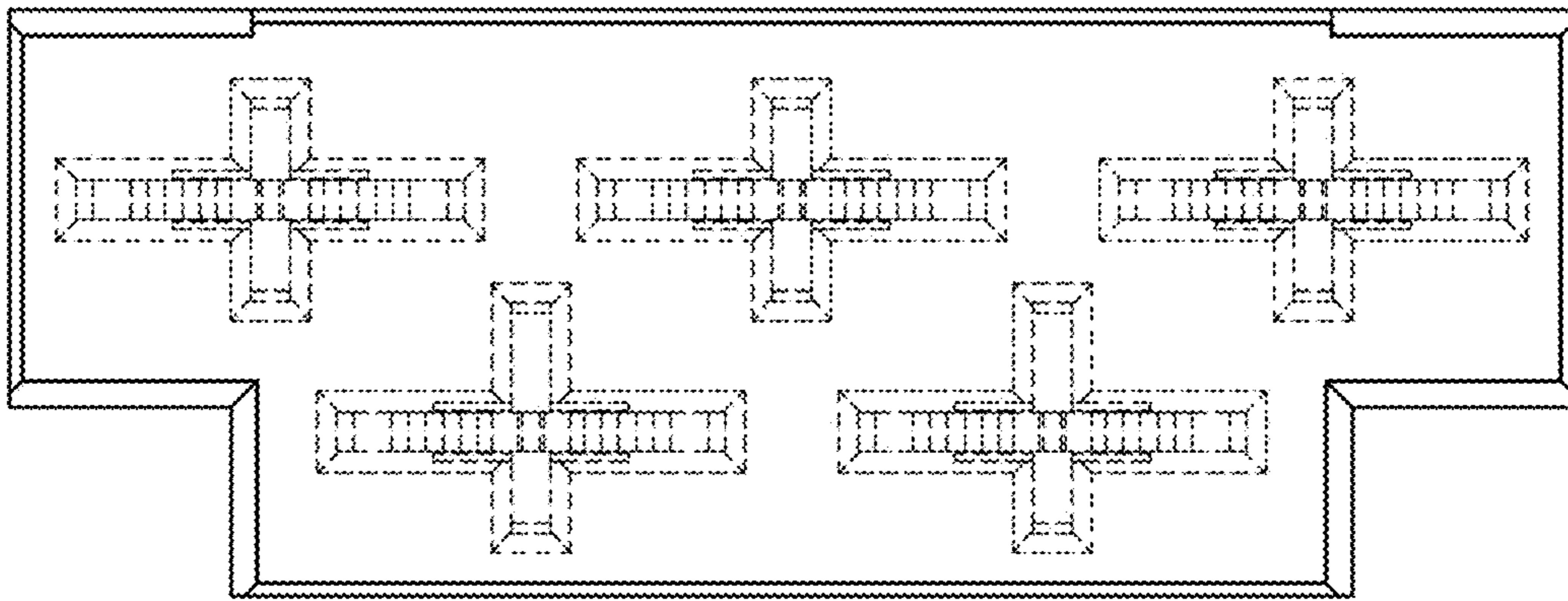


FIG. 13

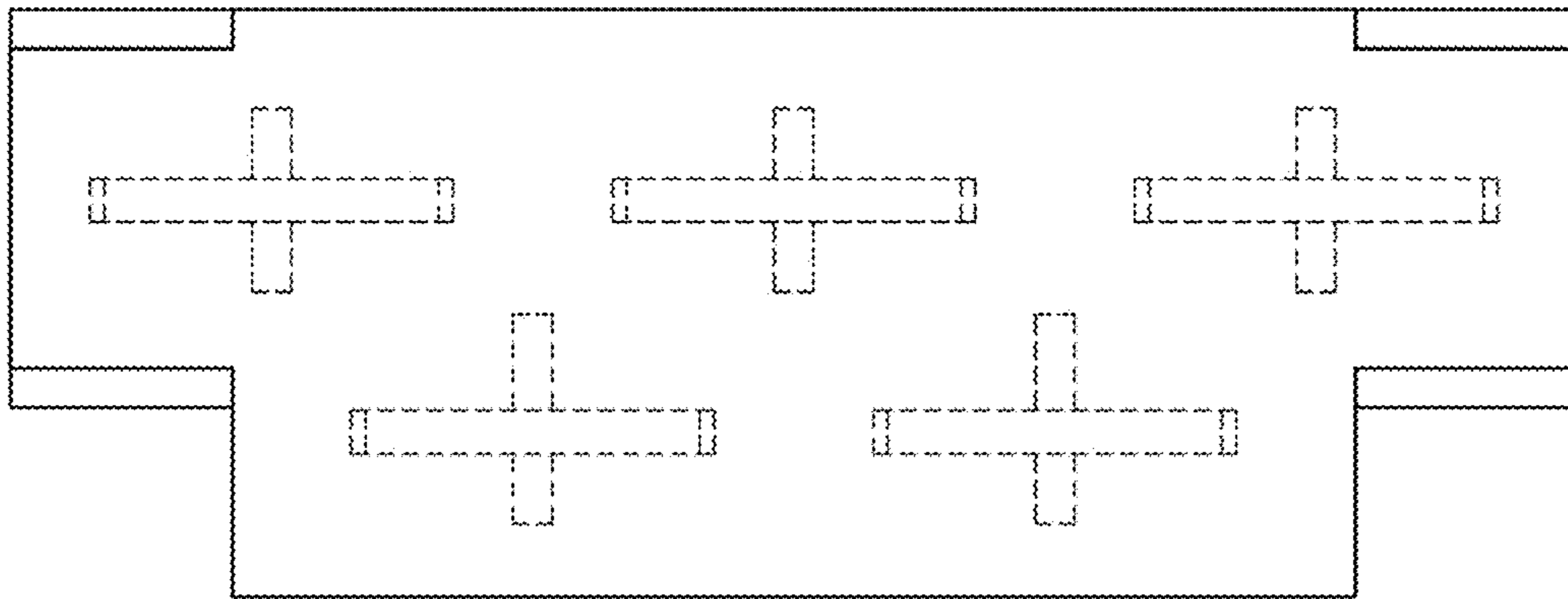


FIG. 14

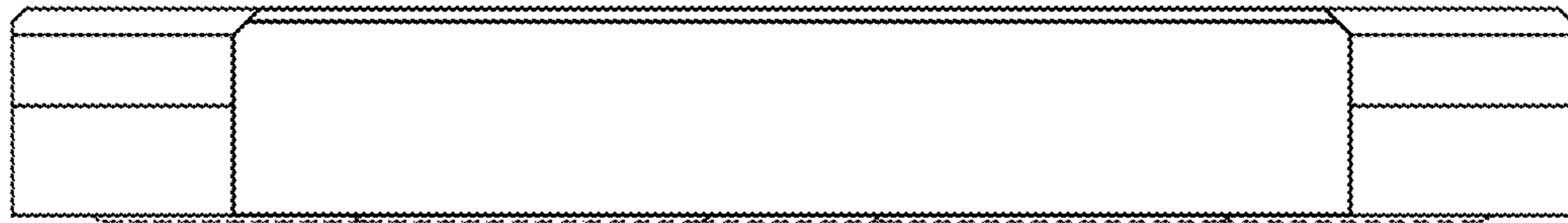


FIG. 15

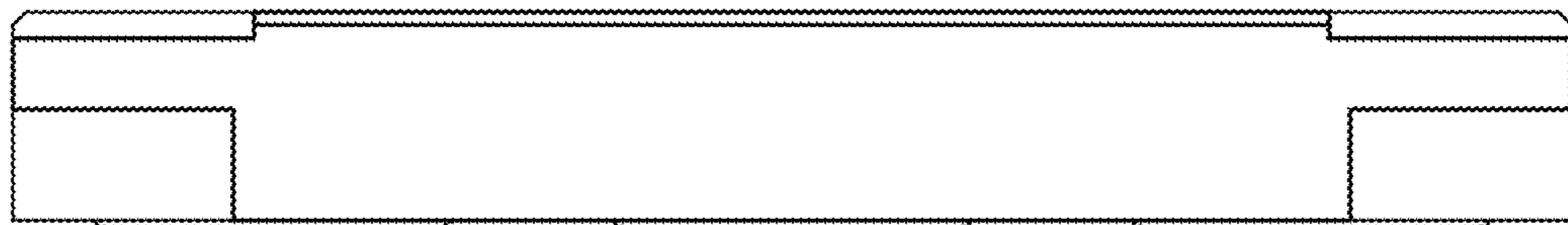


FIG. 16

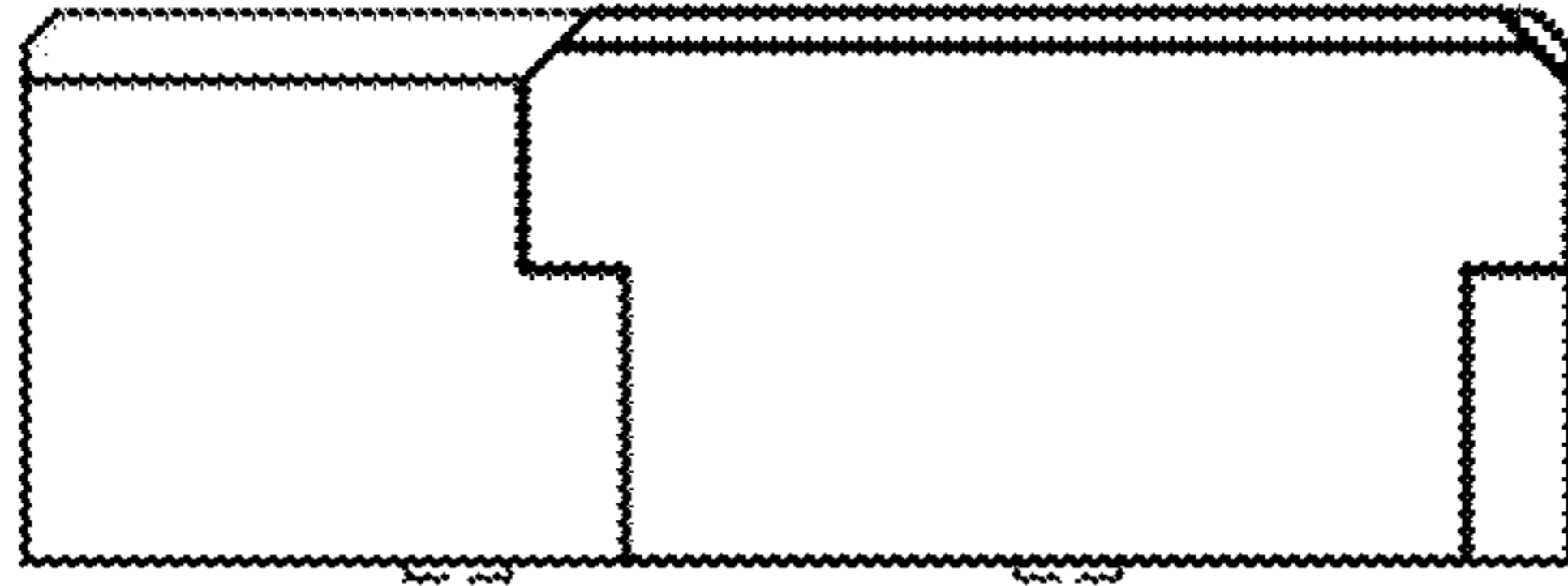


FIG. 17

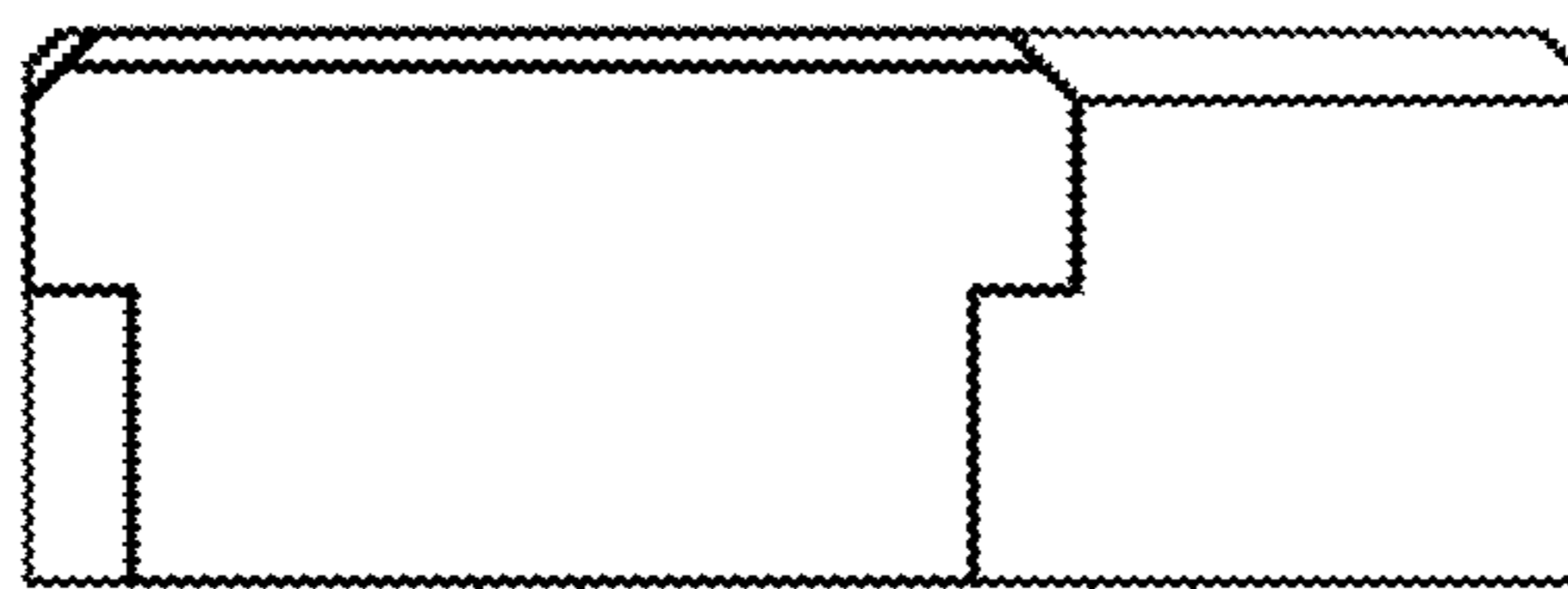


FIG. 18

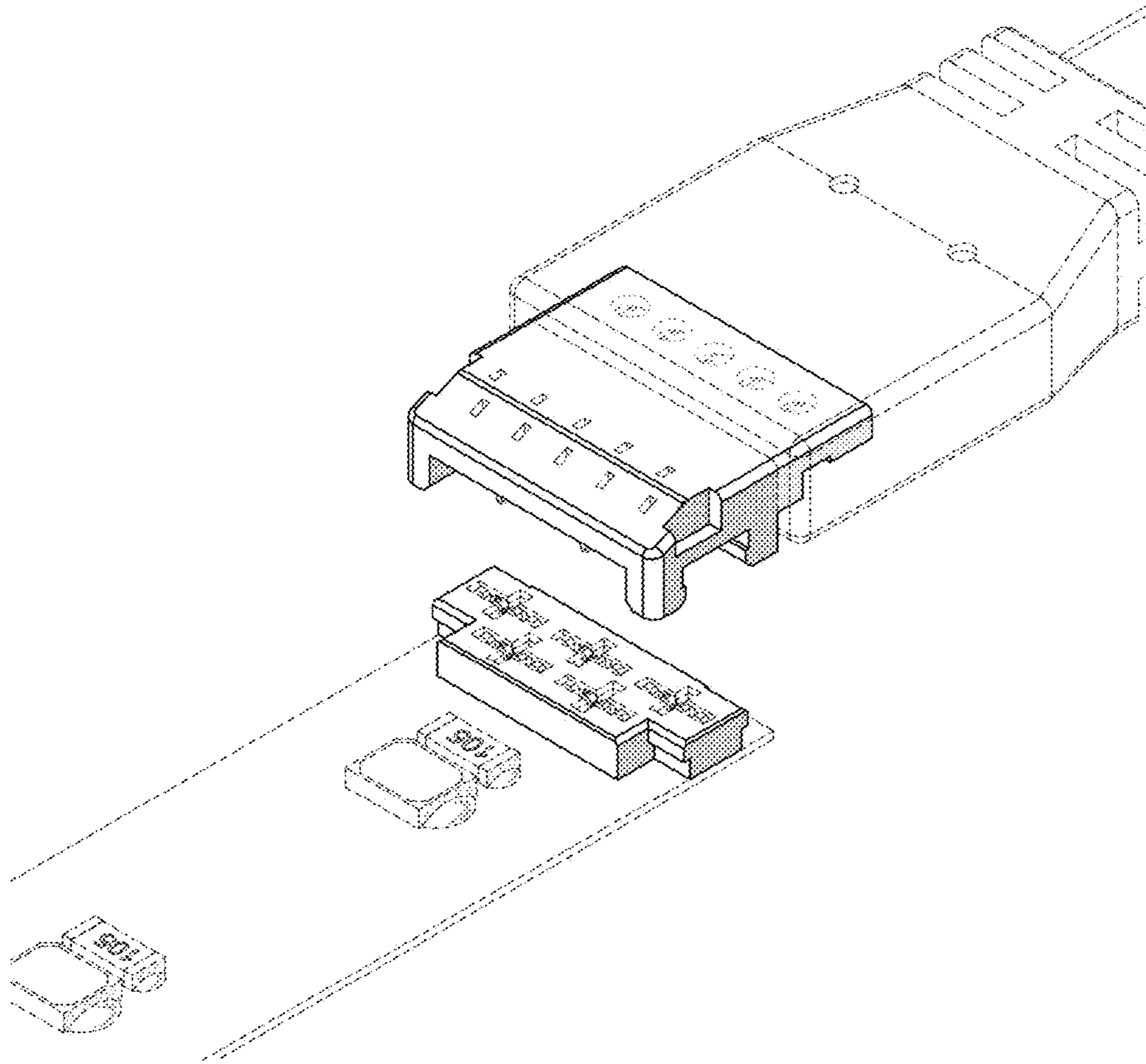


FIG. 19

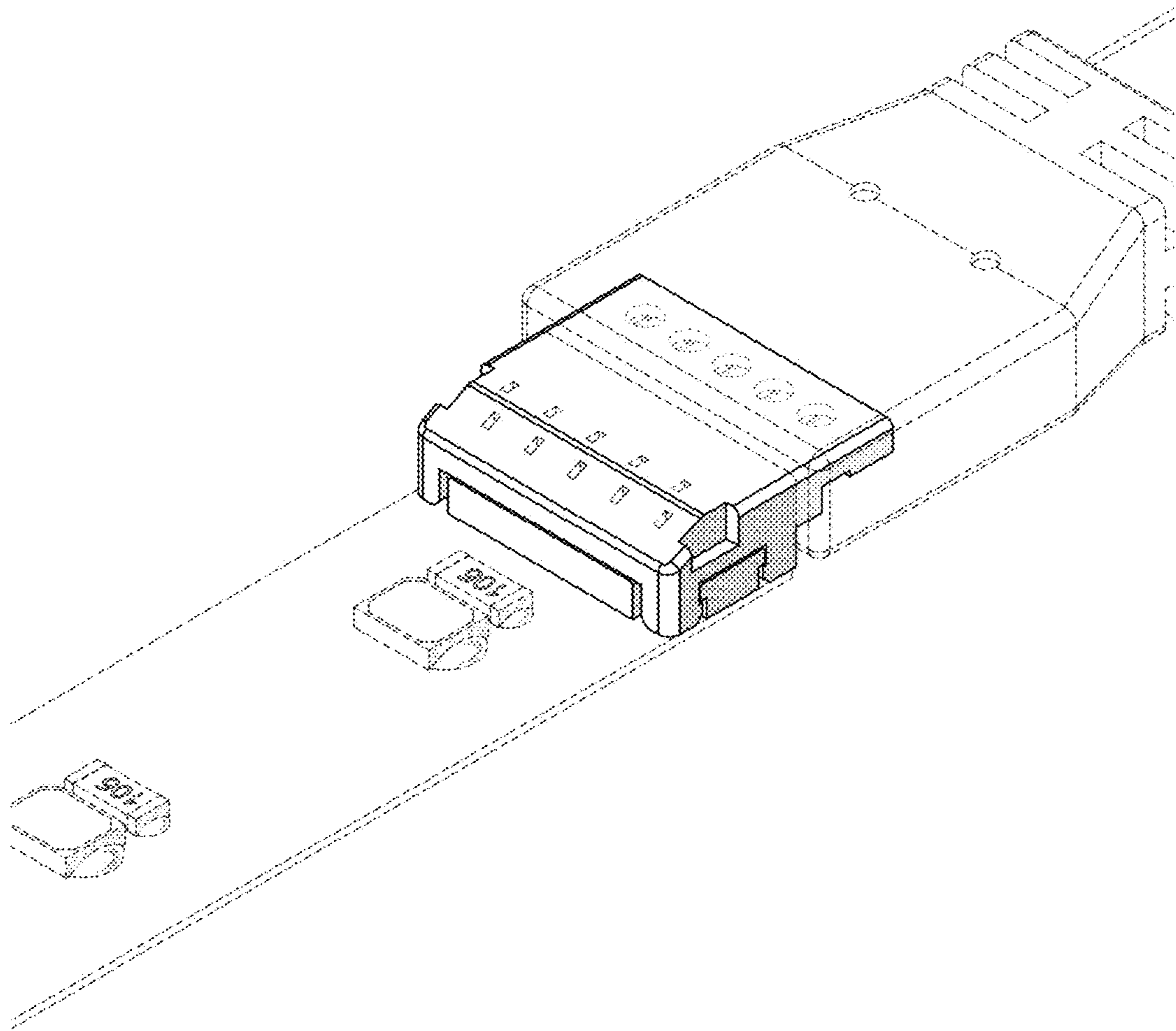


FIG. 20