



US00D828813S

(12) **United States Design Patent** (10) **Patent No.:** **US D828,813 S**
Liu (45) **Date of Patent:** **** Sep. 18, 2018**

(54) **CAR CHARGER**

(71) Applicant: **Shenzhen City Jie Xin Te TECHNOLOGY Co., Ltd**, Shenzhen (CN)

(72) Inventor: **Cheng Huang Liu**, Shenzhen (CN)

(**) Term: **15 Years**

(21) Appl. No.: **29/606,168**

(22) Filed: **Jun. 2, 2017**

(51) **LOC (11) Cl.** **13-03**

(52) **U.S. Cl.**
USPC **D13/144**

(58) **Field of Classification Search**
USPC D13/144, 107, 110, 118, 119, 120, 133, D13/154, 184, 199; D14/155, 217, 433; 320/65, 107, 108, 109; 363/13, 146; 439/300, 620, 638, 668, 669, 675, 825
CPC H01R 24/58; H01R 2201/26; H01R 31/02
See application file for complete search history.

(56) **References Cited**

U.S. PATENT DOCUMENTS

D243,537 S *	3/1977	Wahl	D14/155
D418,213 S *	12/1999	Colandro	D23/366
D481,355 S *	10/2003	Lee	D13/108
D525,937 S *	8/2006	Seil	D13/144
D541,254 S *	4/2007	Dayan	D14/155
D597,938 S *	8/2009	Lee	D13/108
D652,384 S *	1/2012	Lee	D13/144
D673,504 S *	1/2013	Esses	D13/144
D691,954 S *	10/2013	Lee	D13/144
8,784,137 B2 *	7/2014	Yang	H01H 85/542 439/620.28

D711,524 S *	8/2014	Hsiao	D23/366
D711,830 S *	8/2014	Liu	D13/144
D756,779 S *	5/2016	Kang	D9/454
D778,822 S *	2/2017	Broadhurst	D13/107

OTHER PUBLICATIONS

Amazon.com. Anker USB C Car Charger. 2017_0608. Date accessed: 2018_0620. https://www.amazon.com/dp/B071WYF9HP/ref=sr_1_10?camp=217145&creative=399373&creativeASIN=B071WYF9HP&ie=UTF8&linkCode=as2&sr=1-10&tag=anker_google_brand-20.*

* cited by examiner

Primary Examiner — Derrick Holland
Assistant Examiner — Jennifer O King

(74) *Attorney, Agent, or Firm* — Wayne & King LLC

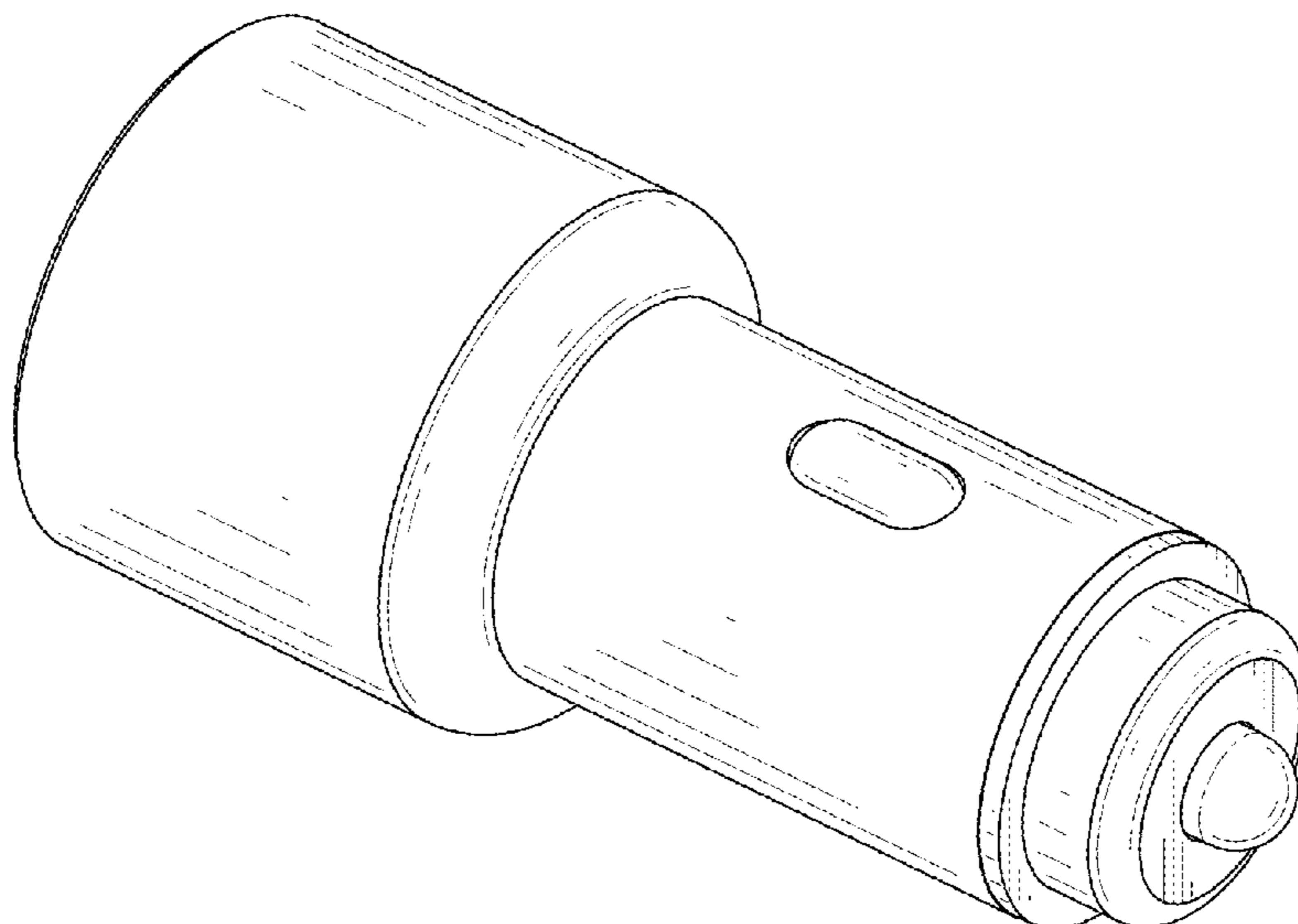
(57) **CLAIM**

The ornamental design for a car charger, as shown and described.

DESCRIPTION

FIG. 1 is a perspective view of a car charger showing my design;
FIG. 2 is another perspective view thereof;
FIG. 3 is a front view thereof;
FIG. 4 is a back view thereof;
FIG. 5 is a left side view thereof;
FIG. 6 is a right side view thereof;
FIG. 7 is a top plan view thereof; and,
FIG. 8 is a bottom plan view thereof.
The broken lines shown represent portions of the car charger that form no part of the claimed design.

1 Claim, 8 Drawing Sheets



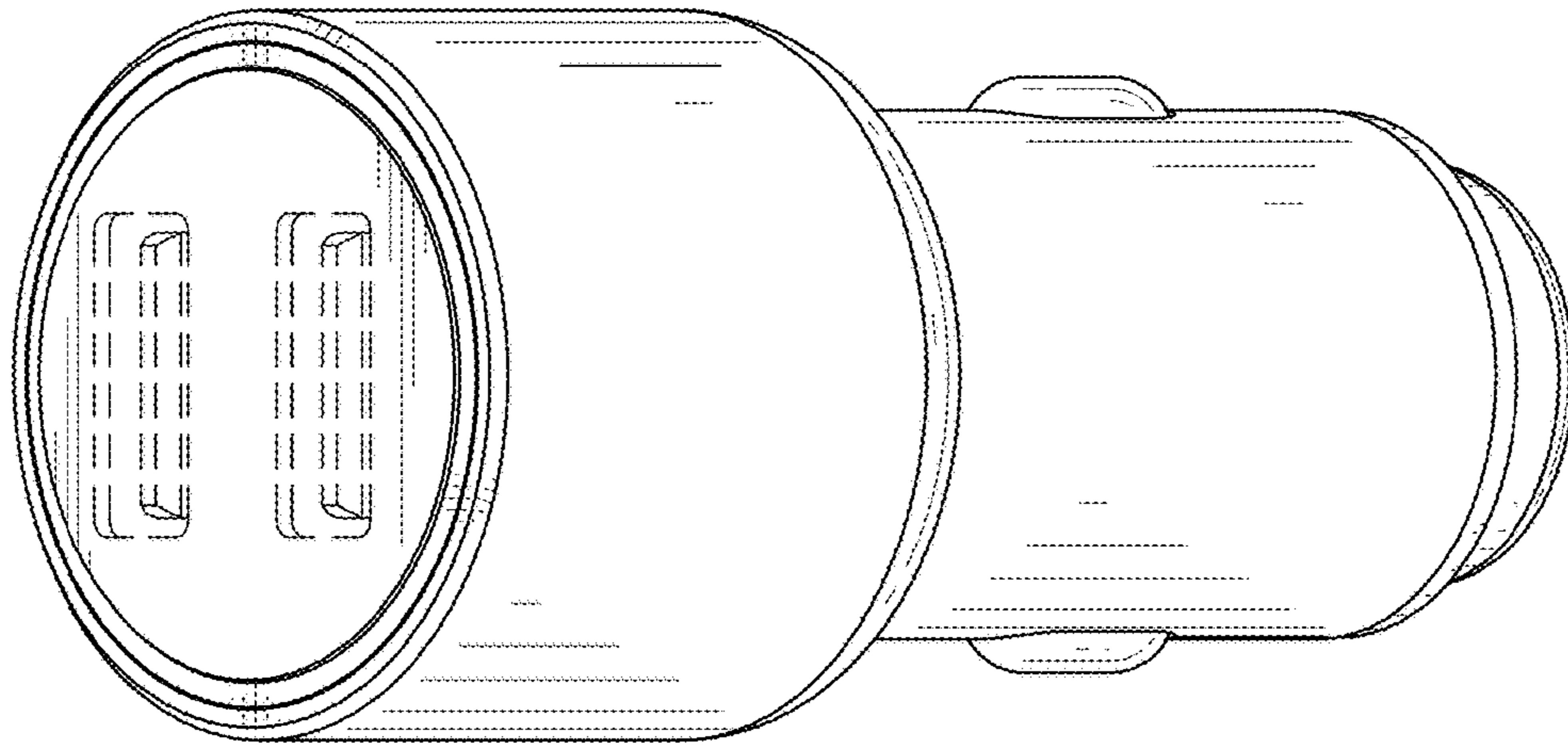


FIG. 1

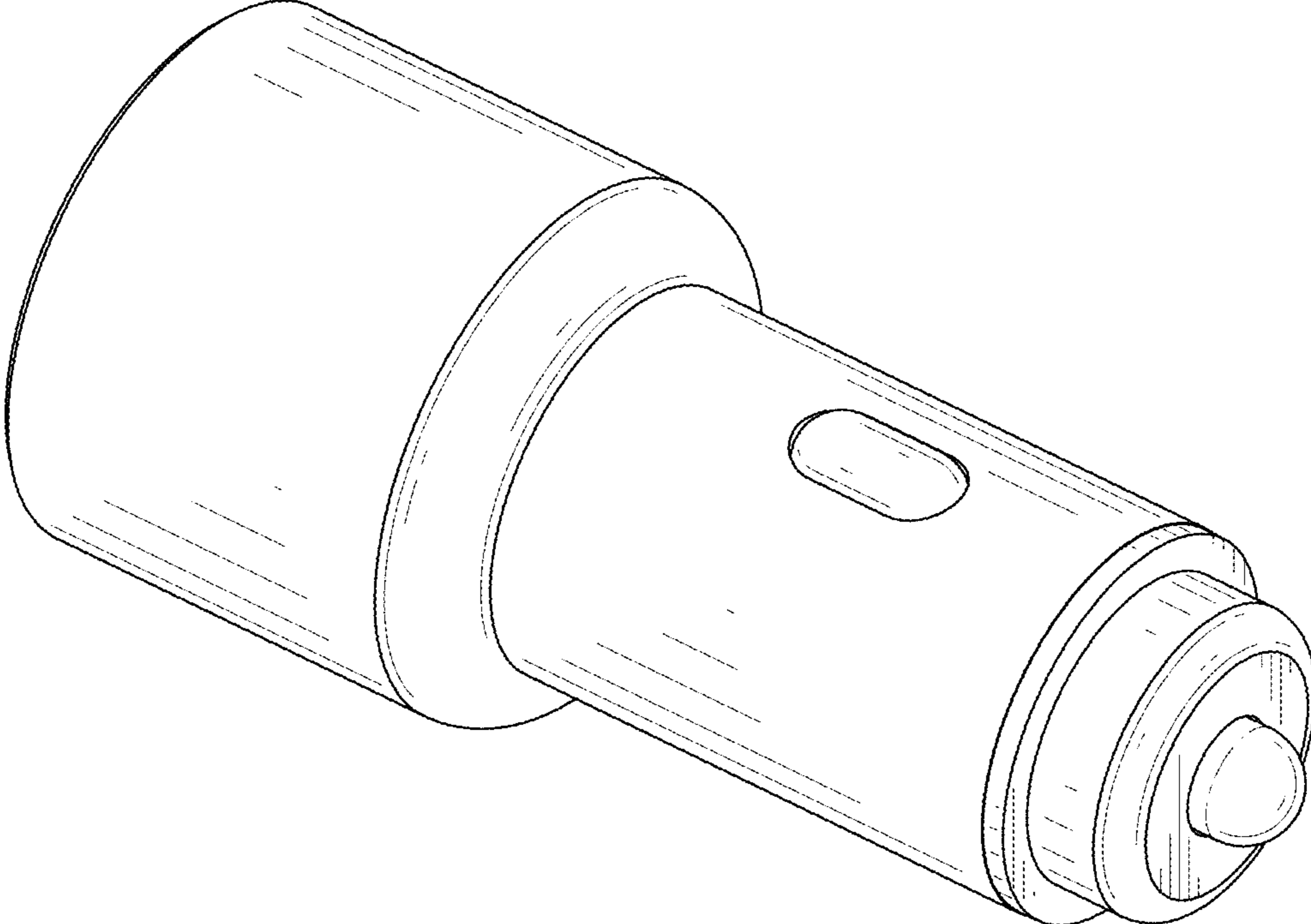


FIG. 2

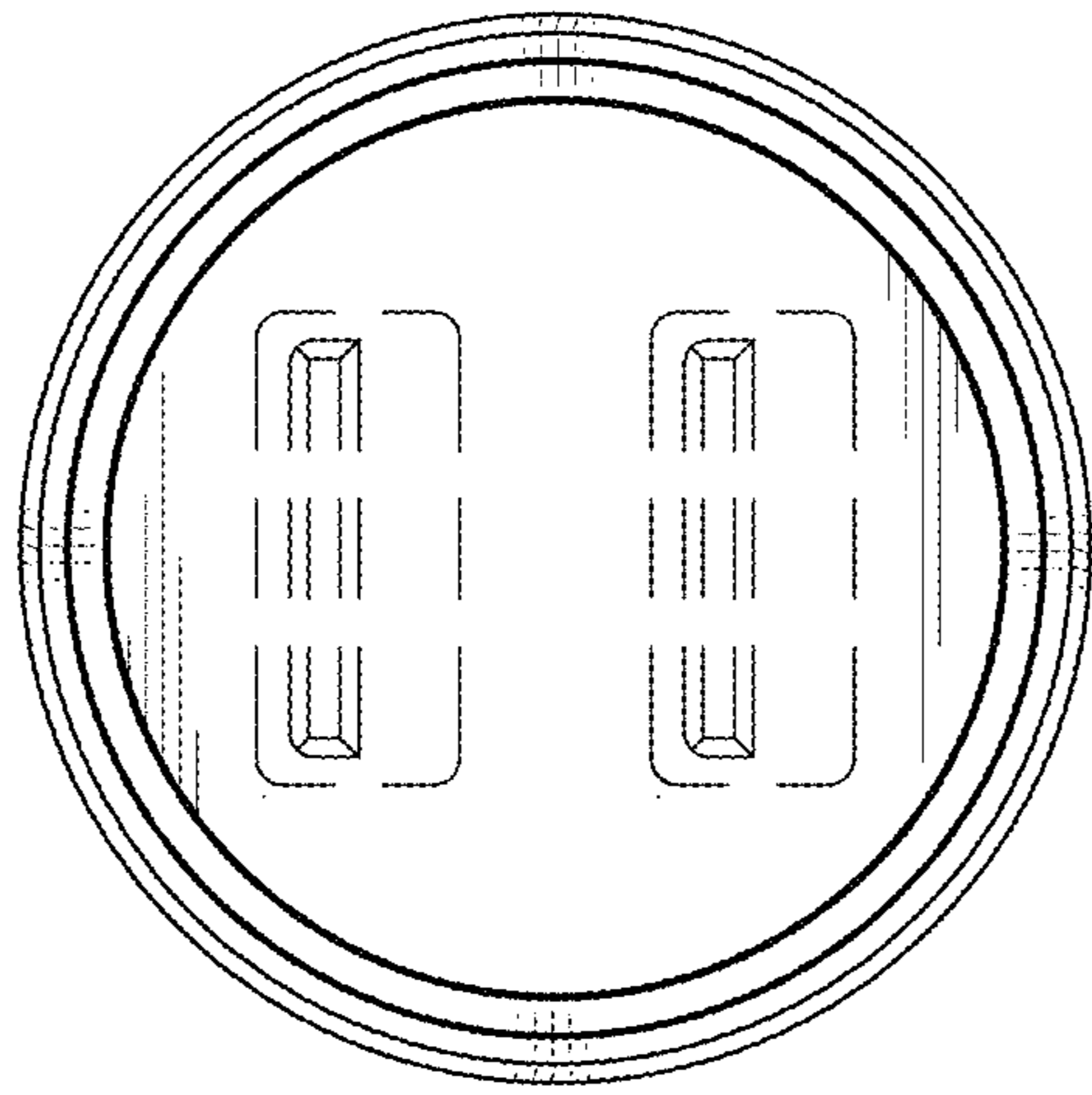


FIG. 3

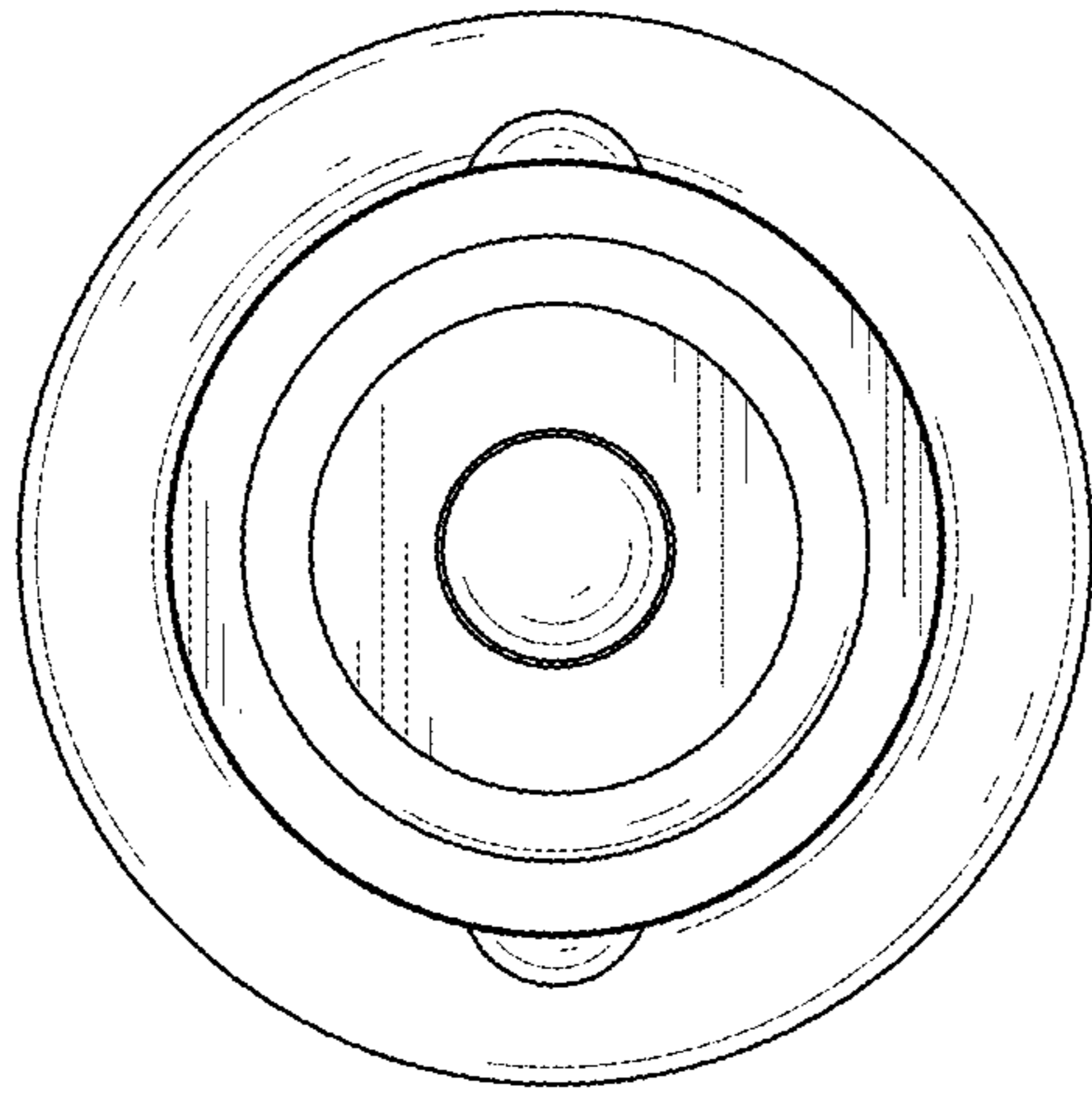


FIG. 4

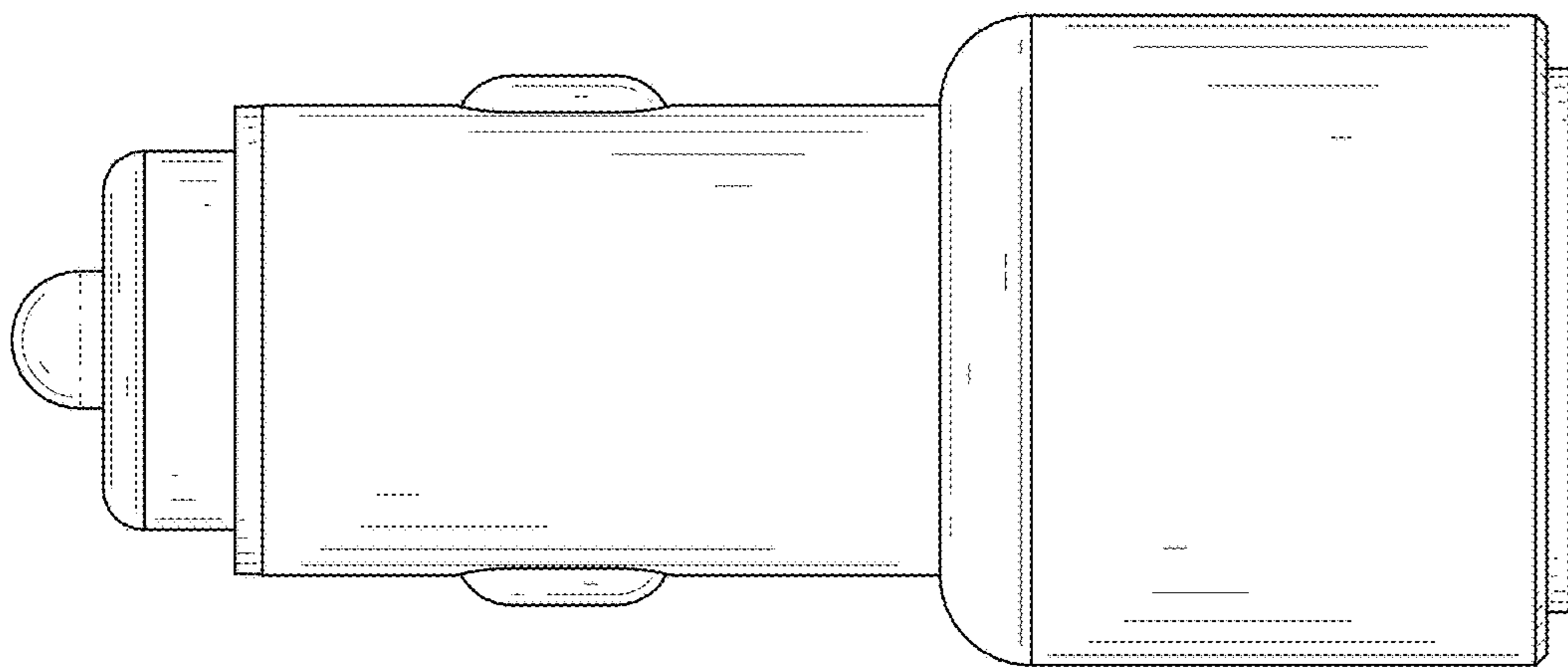


FIG. 5

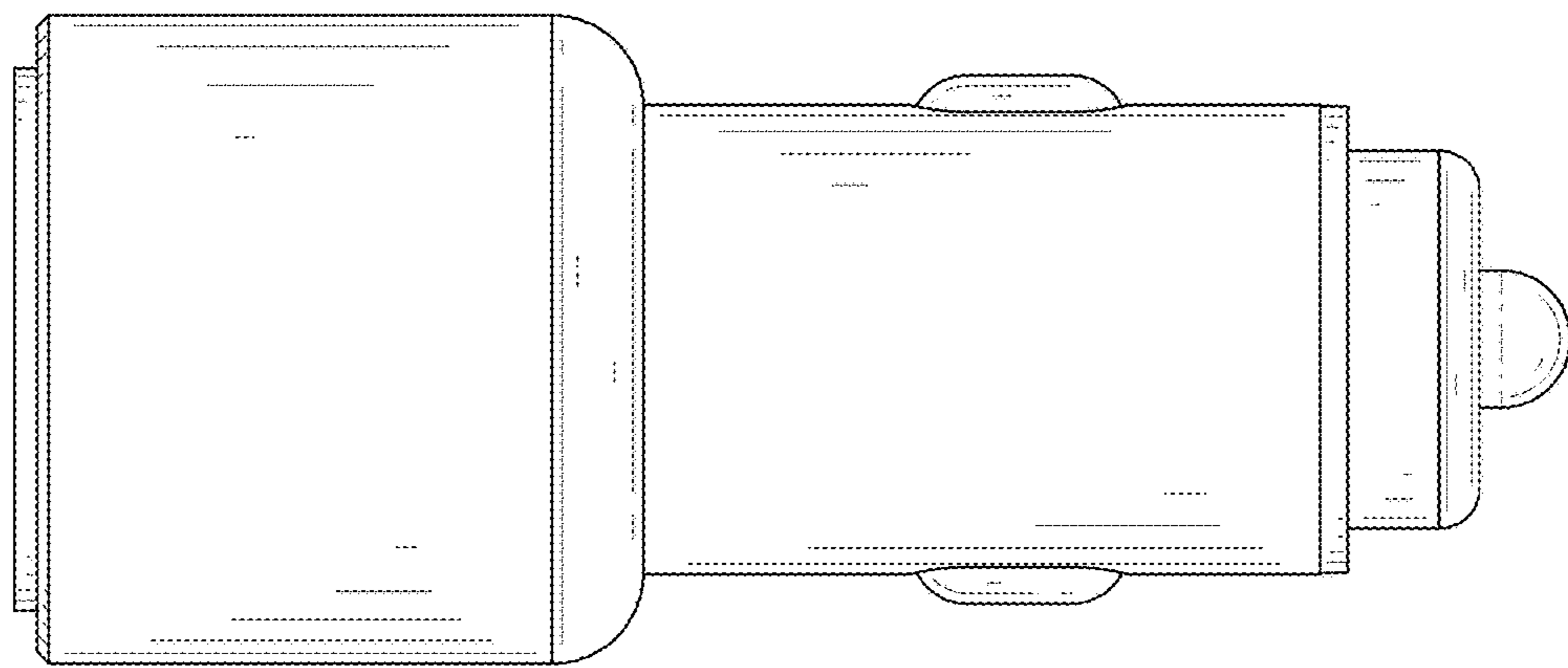


FIG. 6

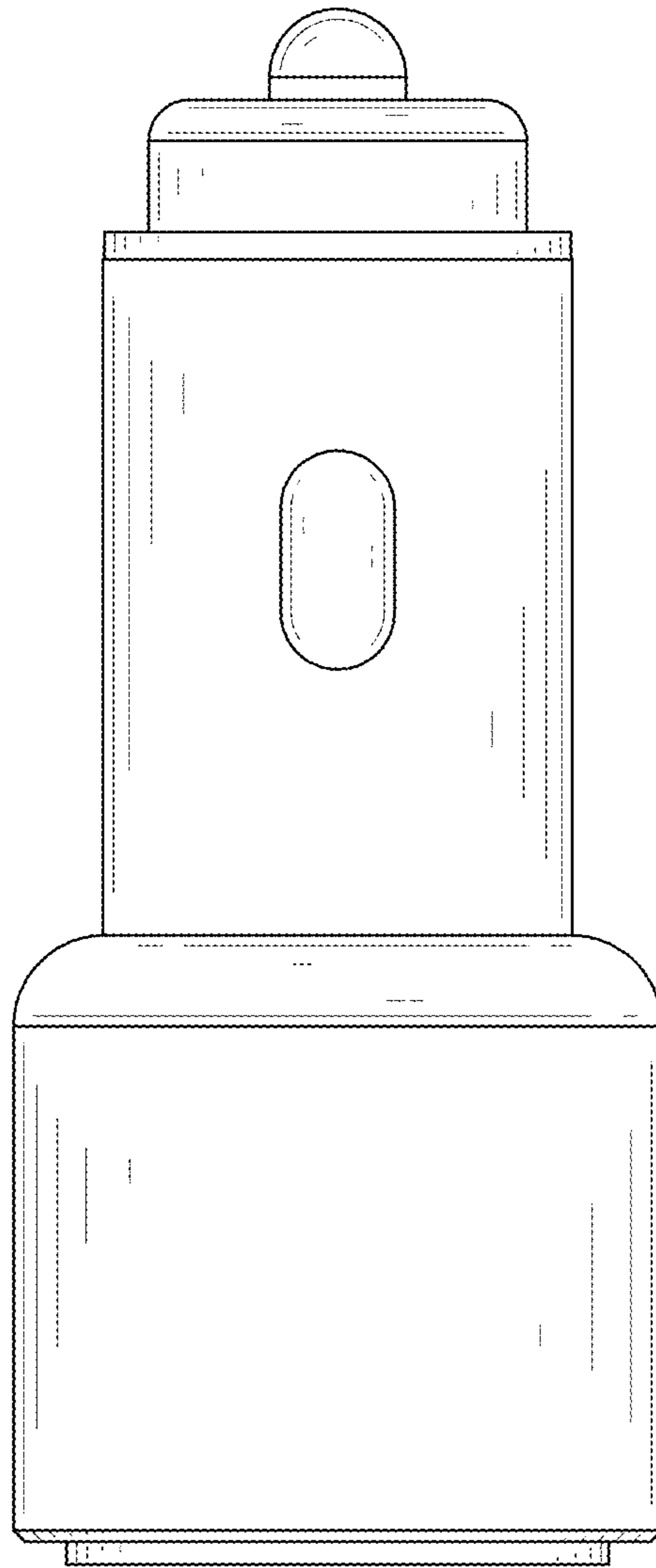


FIG. 7

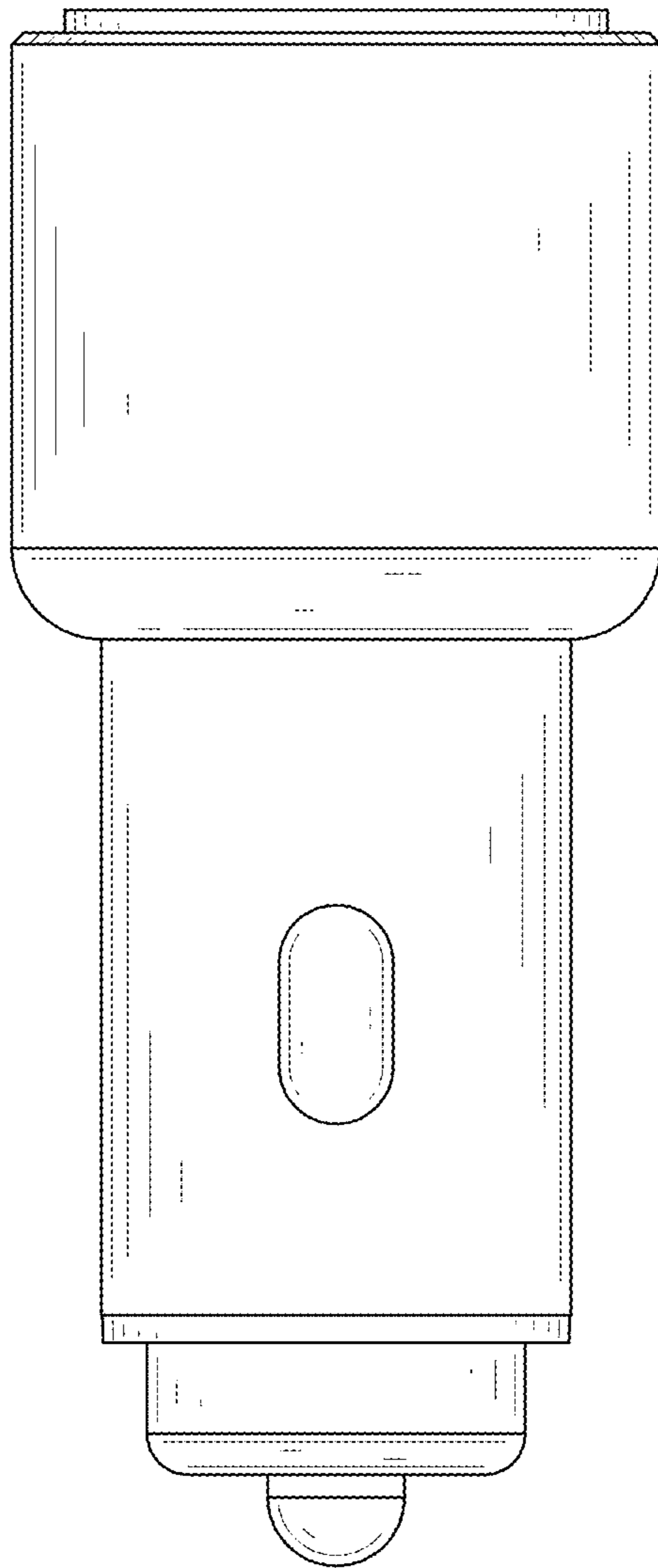


FIG. 8