



US00D828811S

(12) **United States Design Patent** (10) **Patent No.:** **US D828,811 S**
Aoshima et al. (45) **Date of Patent:** **** Sep. 18, 2018**

(54) **HOUSING FOR AN OPTICAL FIBER CONNECTOR**

(71) Applicant: **SEI Optifrontier Co., Ltd.**,
Yokohama-shi, Kanagawa (JP)
(72) Inventors: **Yohei Aoshima**, Yokohama (JP); **Yuji Suzuki**, Yokohama (JP); **Tomoyuki Yokokawa**, Yokohama (JP)
(73) Assignee: **SEI OPTIFRONTIER CO., LTD.**,
Yokohama-shi, Kanagawa (JP)

(**) Term: **15 Years**
(21) Appl. No.: **29/611,585**
(22) Filed: **Jul. 24, 2017**

(30) **Foreign Application Priority Data**

Jan. 31, 2017 (JP) 2017-001662
(51) **LOC (11) Cl.** **13-03**
(52) **U.S. Cl.**
USPC **D13/133**
(58) **Field of Classification Search**
USPC D13/123, 133, 146, 147, 154, 184, 199
CPC H01R 12/51; H01R 12/52; H01R 12/57;
H01R 12/592; H01R 12/61; H01R 12/63;
H01R 12/7005; H01R 12/716; H01R
12/72; H01R 12/732; H01R 12/777;
H01R 12/79; H01R 12/87; H01R 12/89;
H01R 13/213; H01R 13/2464; H01R
13/2492; H01R 13/26; H01R 13/28;
H01R 13/428; H01R 13/434; H01R
13/4362; H01R 13/4534; H01R 13/506;
H01R 13/508; H01R 13/5804; H01R
13/5816; H01R 13/585; H01R 13/6271;
H01R 13/635

See application file for complete search history.

(56) **References Cited**

U.S. PATENT DOCUMENTS

D670,652 S * 11/2012 Chen D13/133
D680,075 S * 4/2013 Yang D13/133
D735,140 S * 7/2015 Liao D13/147
2010/0296778 A1* 11/2010 Katagiyama G02B 6/3838
385/60
2012/0243831 A1* 9/2012 Chen G02B 6/3825
385/55
2013/0051734 A1* 2/2013 Shen G02B 6/3821
385/78

(Continued)

Primary Examiner — Daniel Bui
(74) *Attorney, Agent, or Firm* — Drinker Biddle & Reath LLP

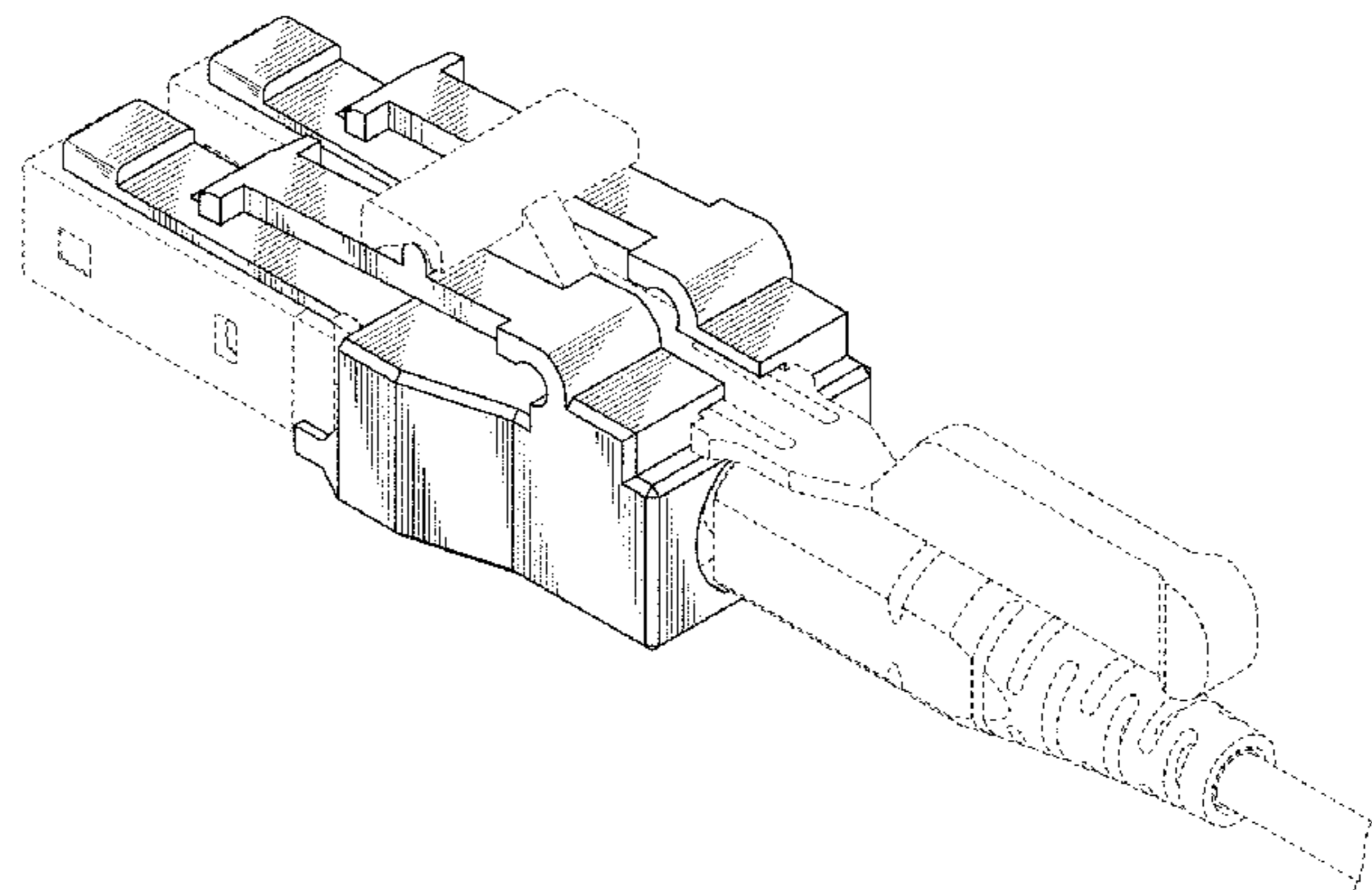
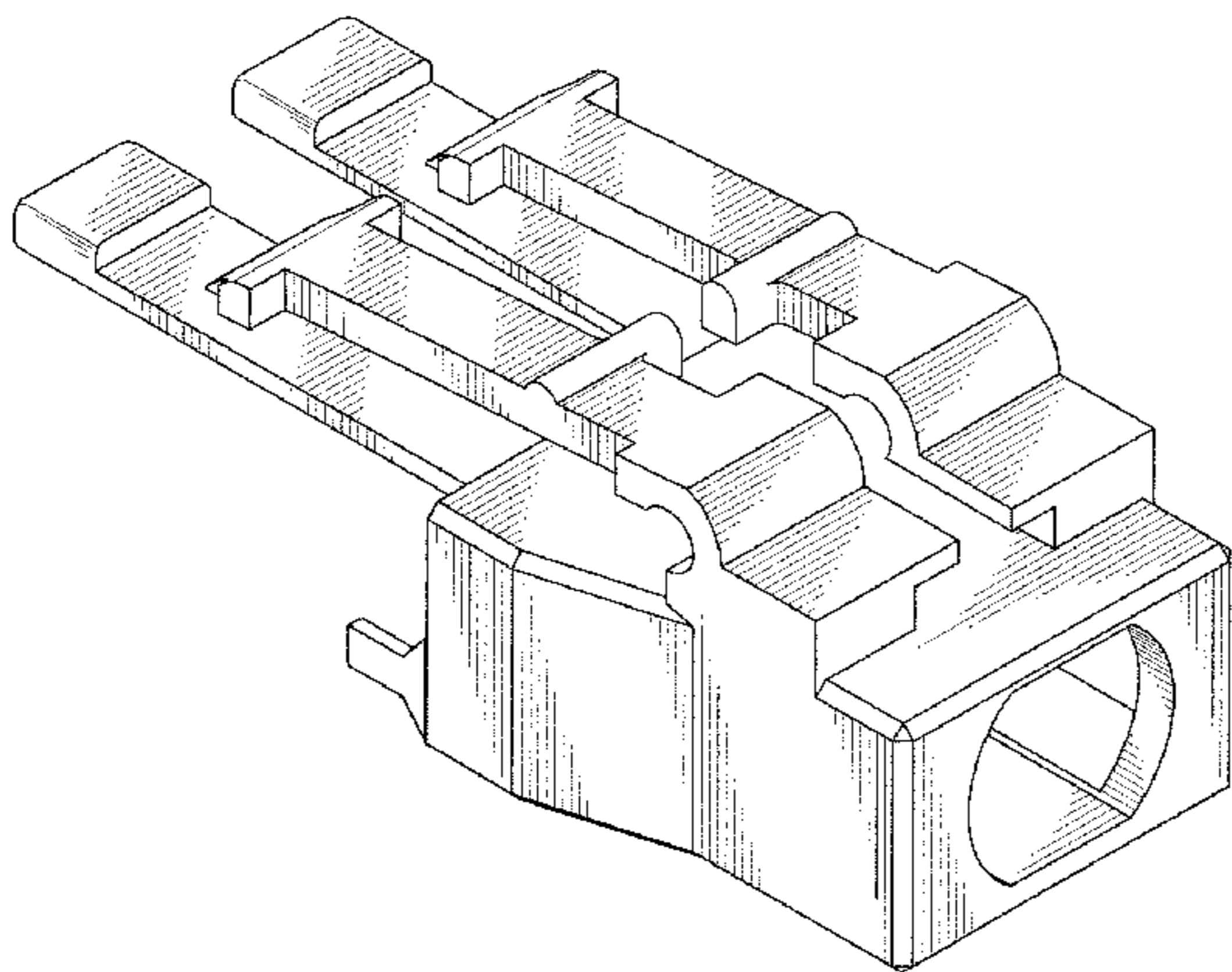
(57) **CLAIM**

The ornamental design for a housing for an optical fiber connector, as shown and described.

DESCRIPTION

FIG. 1 is a front elevational view of a housing for an optical fiber connector showing our new invention. FIG. 2 is a rear elevational view thereof. FIG. 3 is a top plan view thereof. FIG. 4 is a bottom plan view thereof. FIG. 5 is a right side elevational view thereof. FIG. 6 is a left side elevational view thereof. FIG. 7 is a top, front and left side perspective view thereof. FIG. 8 is a top, front and right side perspective view thereof. FIG. 9 is a cross-sectional view thereof, taken along line 9-9 of FIG. 3. FIG. 10 is a cross-sectional view thereof, taken along line 10-10 of FIG. 5; and, FIG. 11 is a top, front and right side perspective view thereof, in use condition. The broken line shown in the drawing represents unclaimed environmental subject matter only and forms no part of the claimed design.

1 Claim, 11 Drawing Sheets



(56)

References Cited

U.S. PATENT DOCUMENTS

2013/0216188 A1* 8/2013 Lin G02B 6/3893
385/77
2014/0270646 A1* 9/2014 Haley G02B 6/3893
385/70
2018/0024300 A1* 1/2018 Wu G02B 6/3636

* cited by examiner

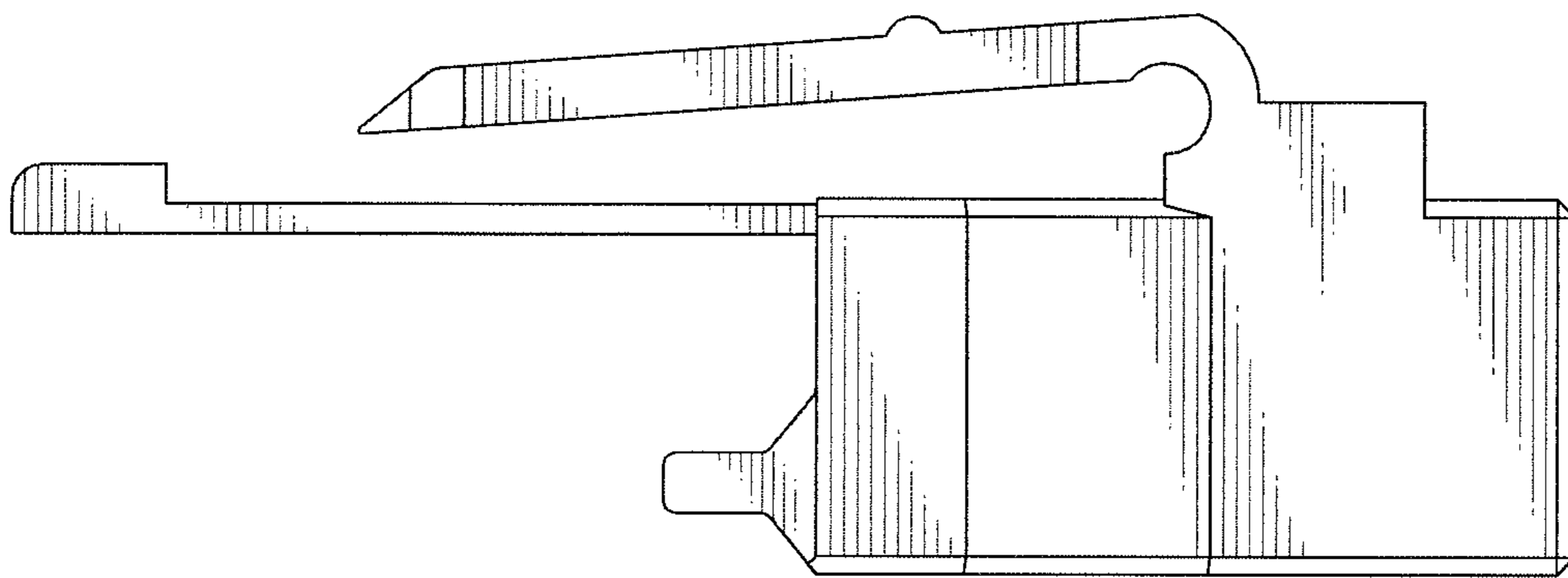


Fig. 1

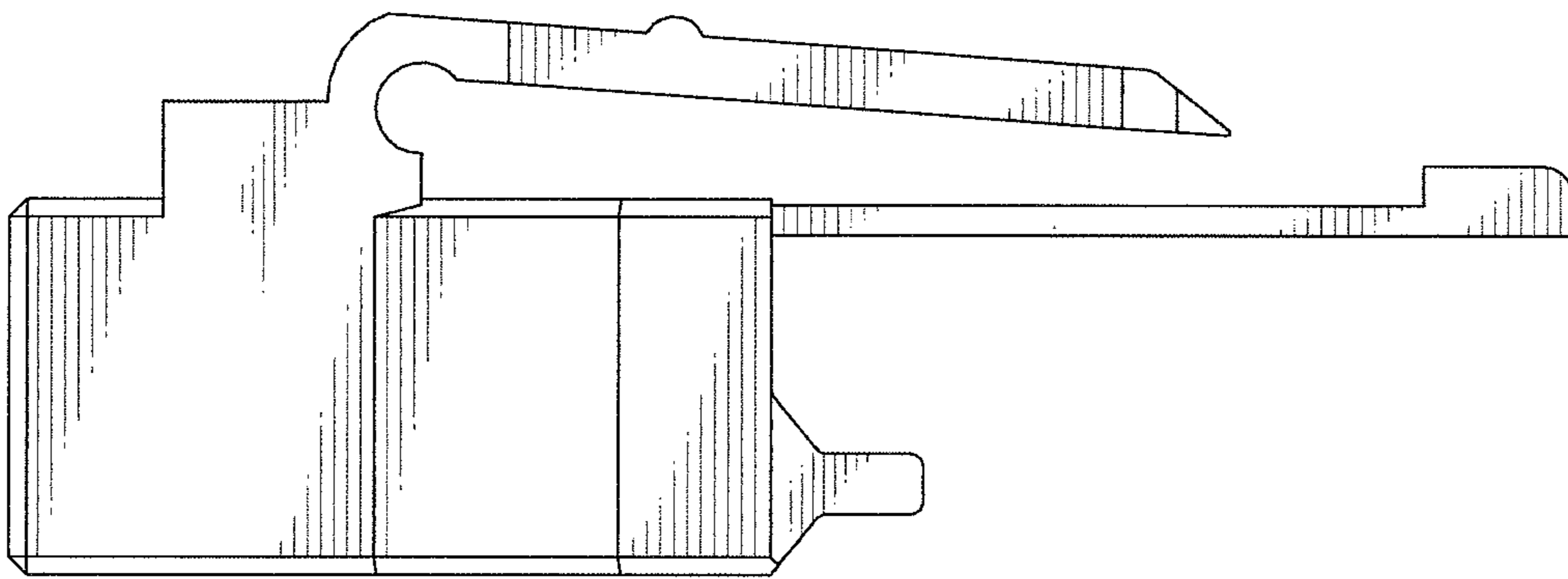


Fig. 2

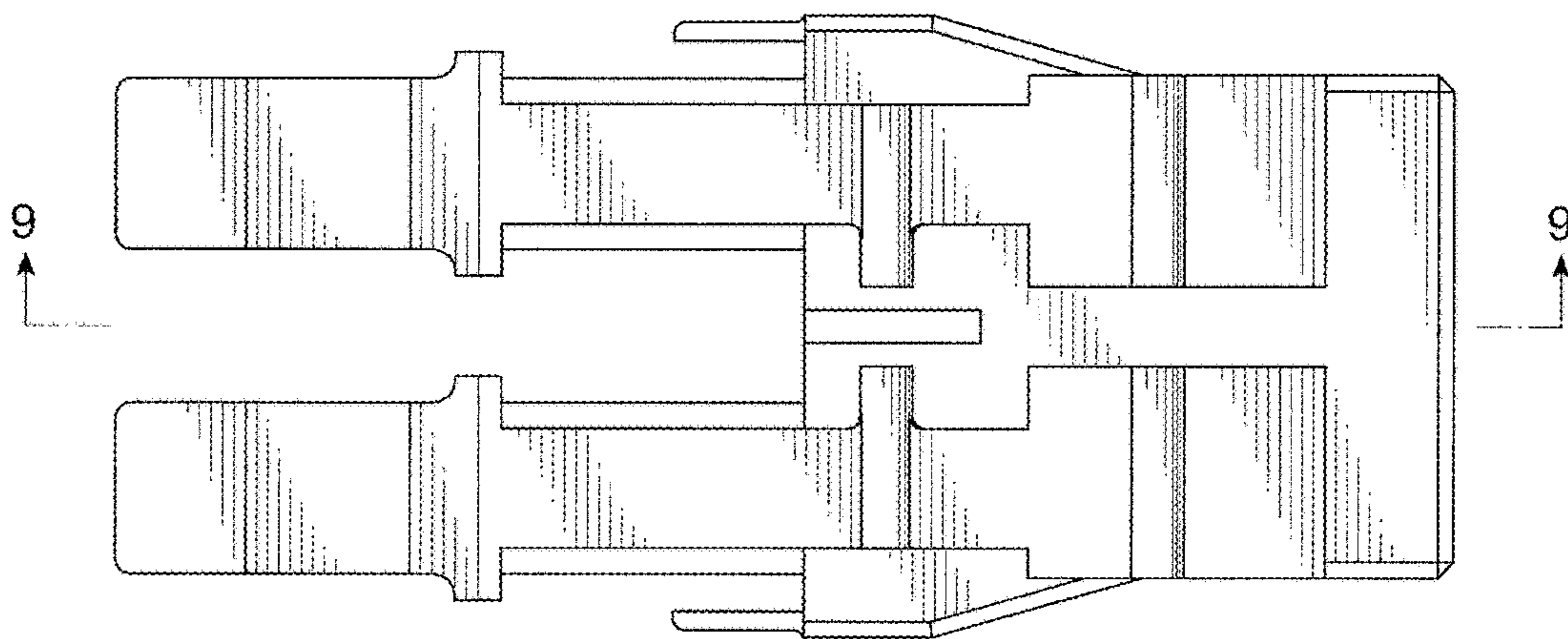


Fig. 3

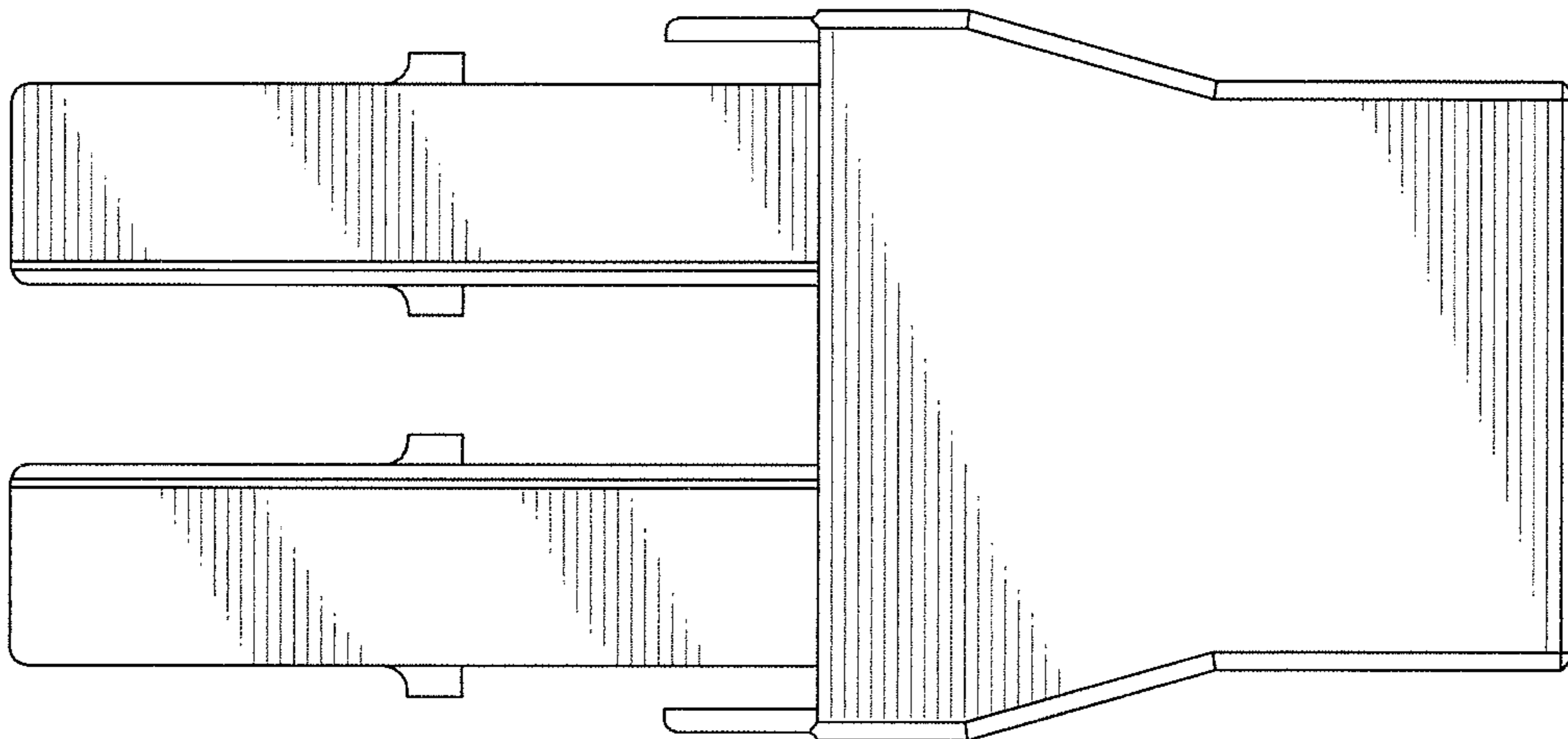


Fig. 4

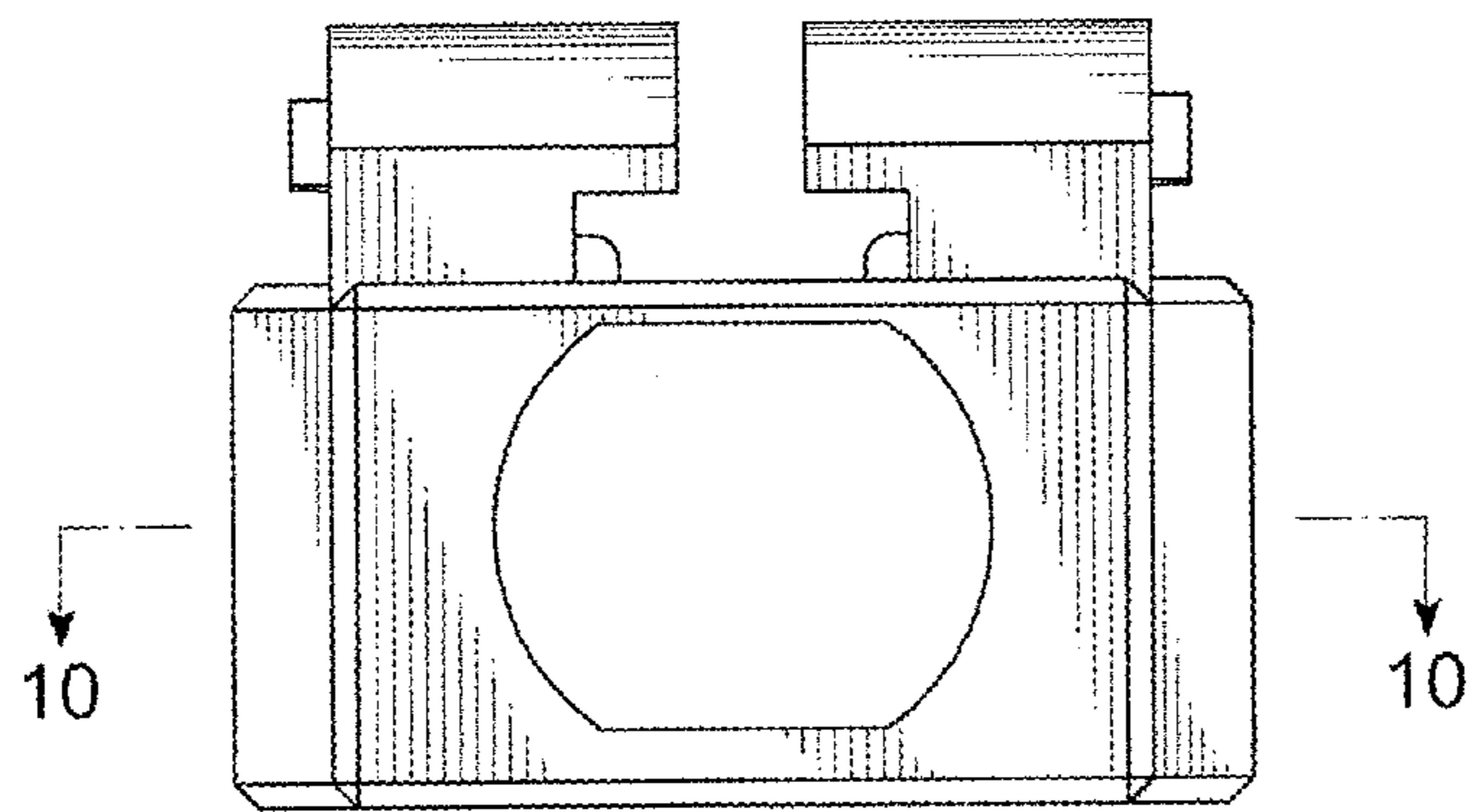


Fig. 5

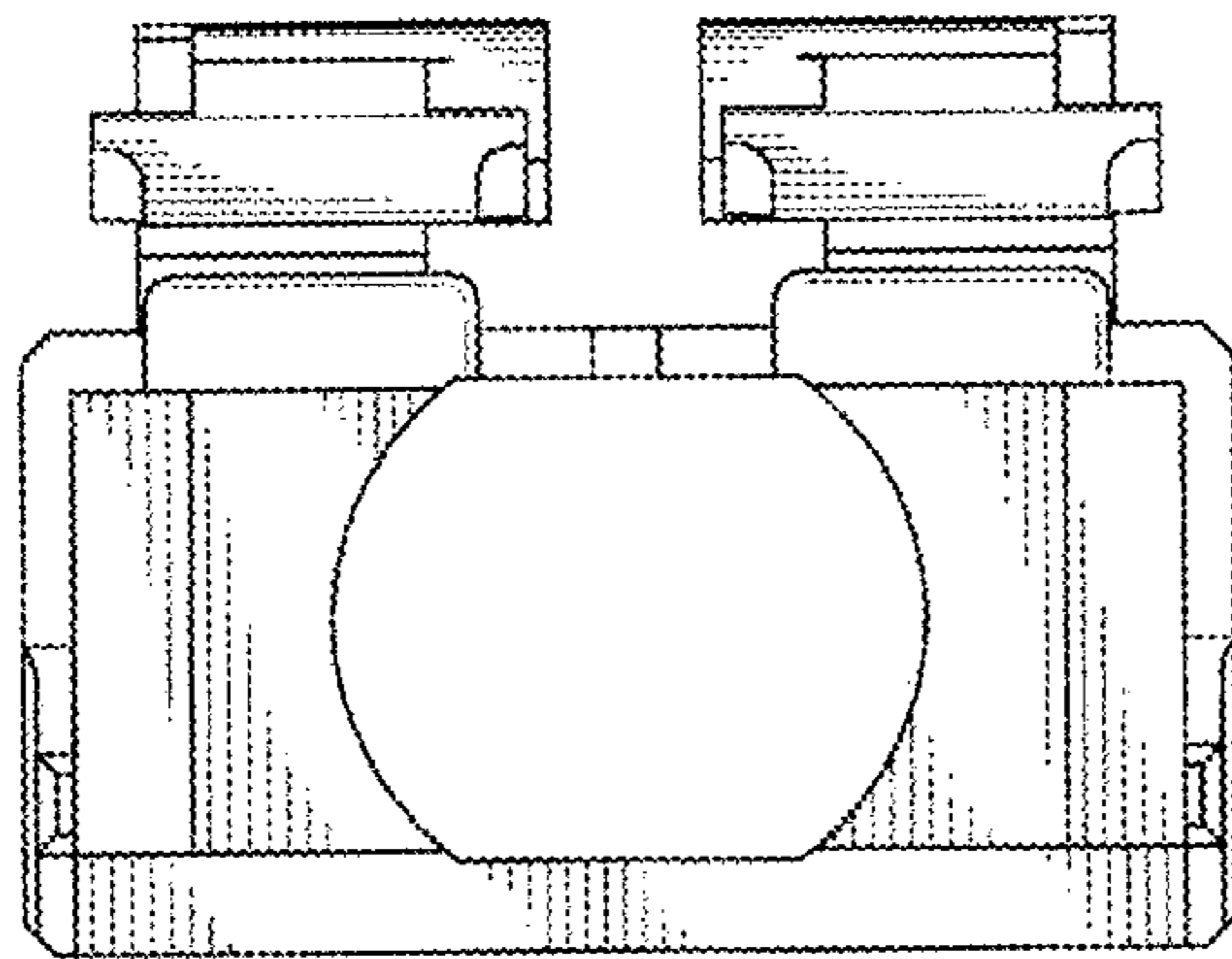


Fig. 6

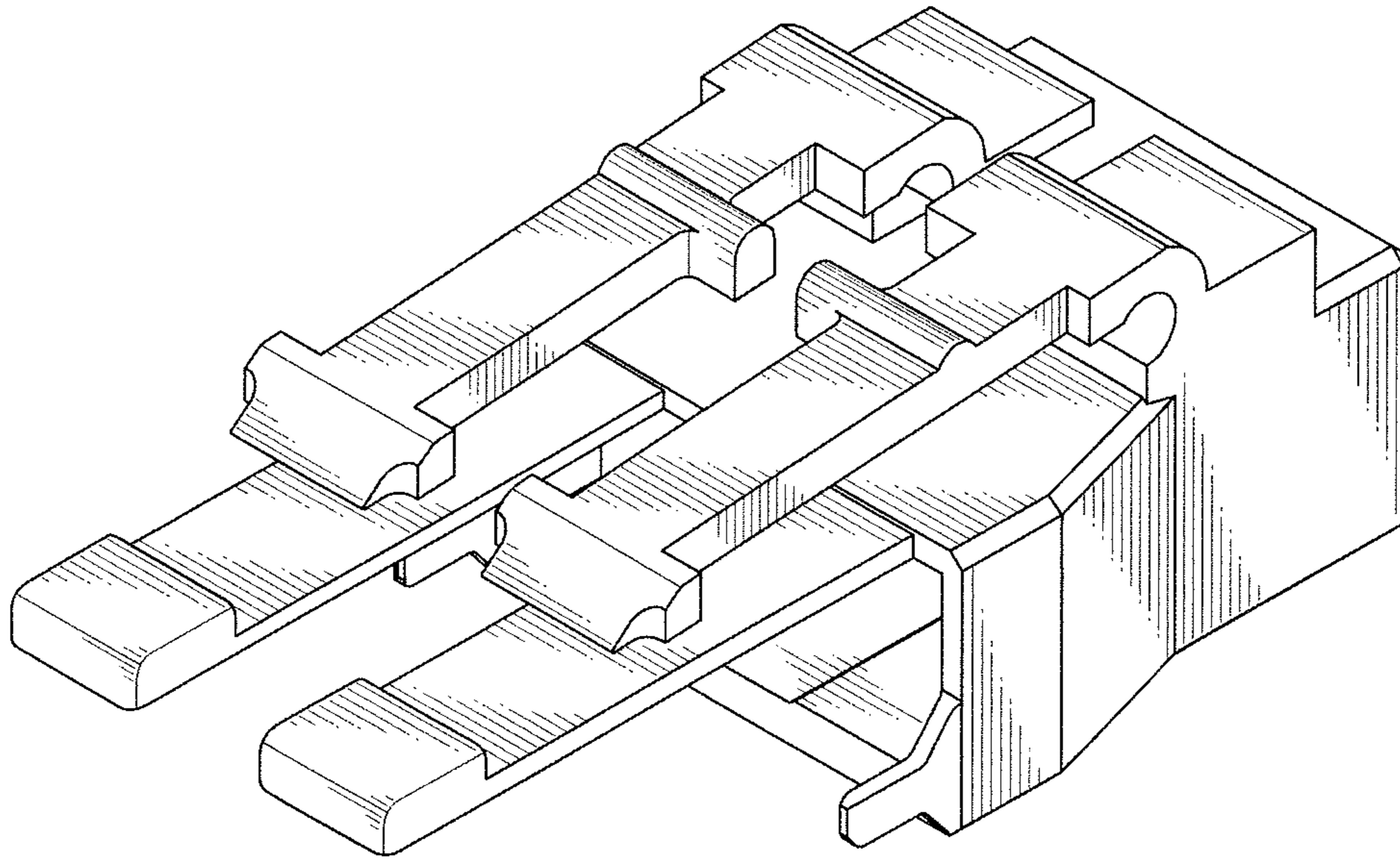


Fig. 7

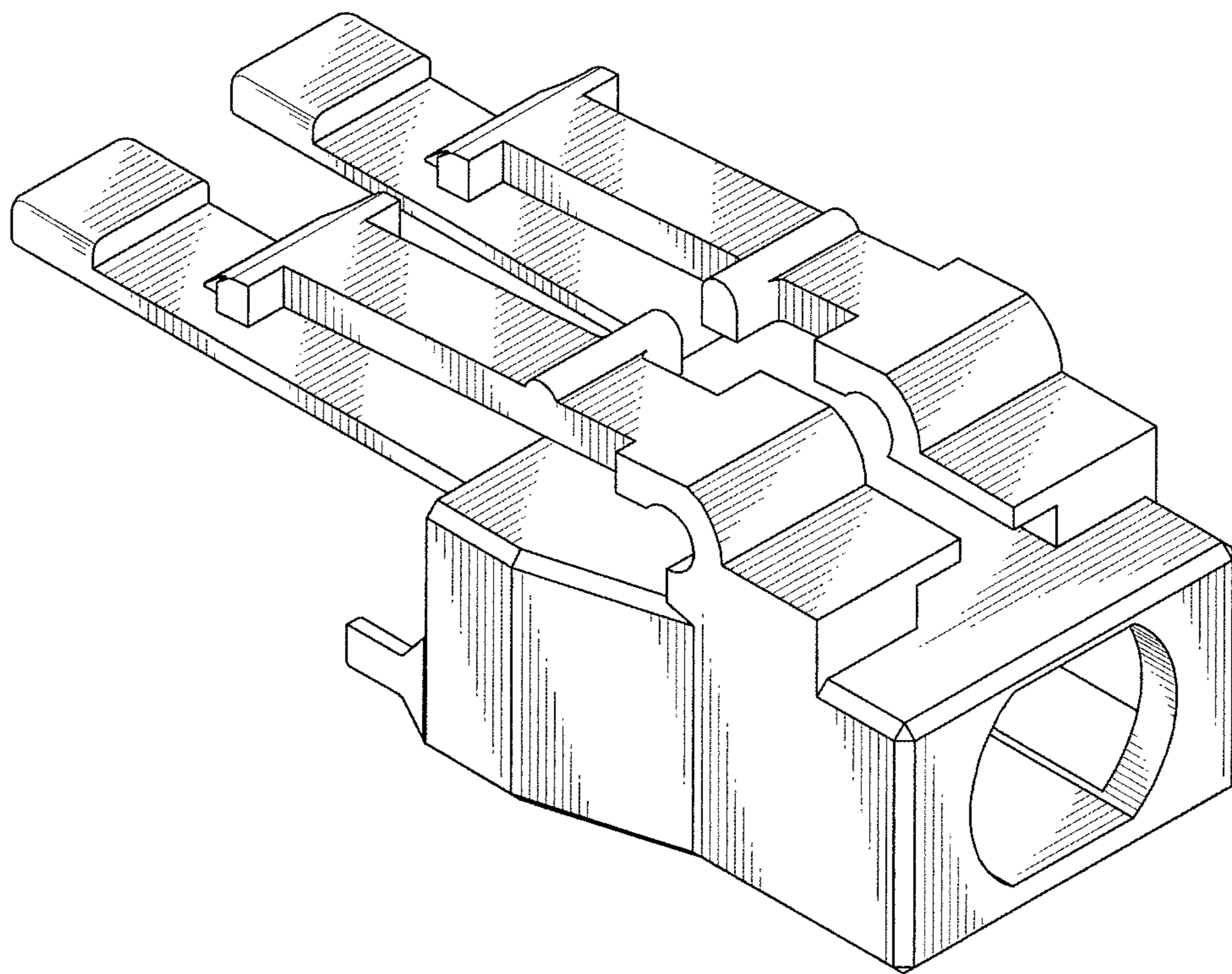


Fig. 8

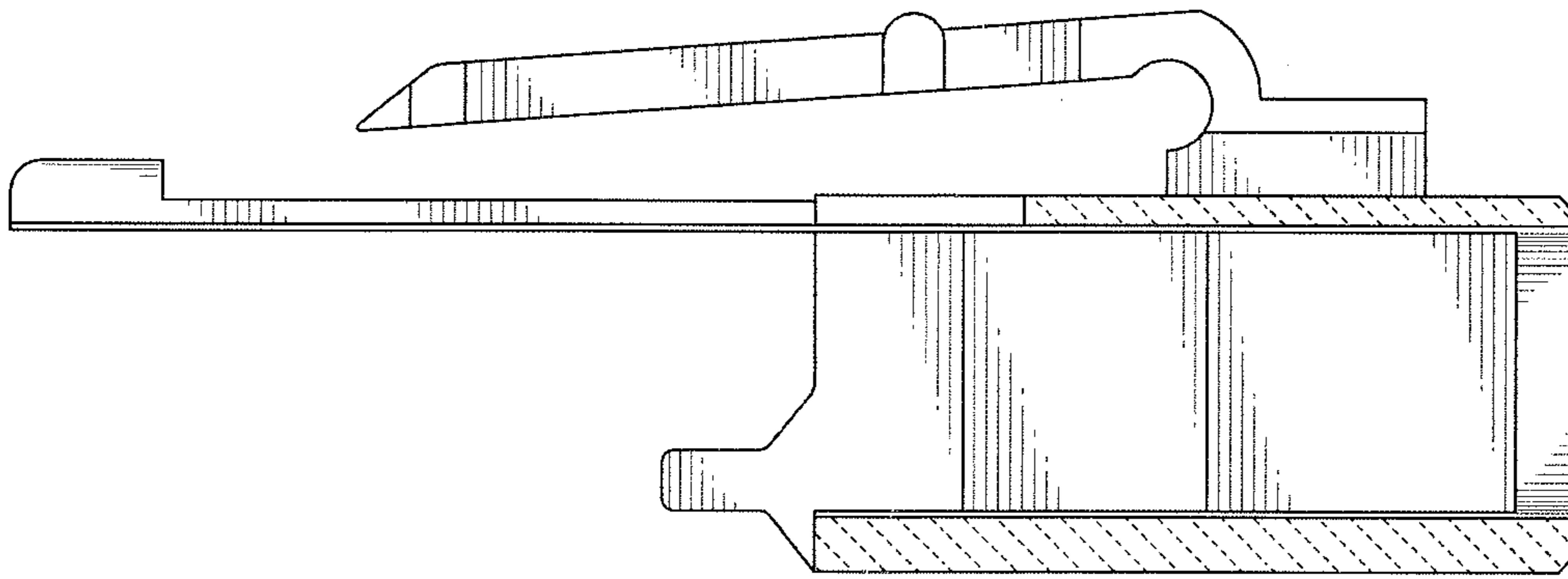


Fig. 9

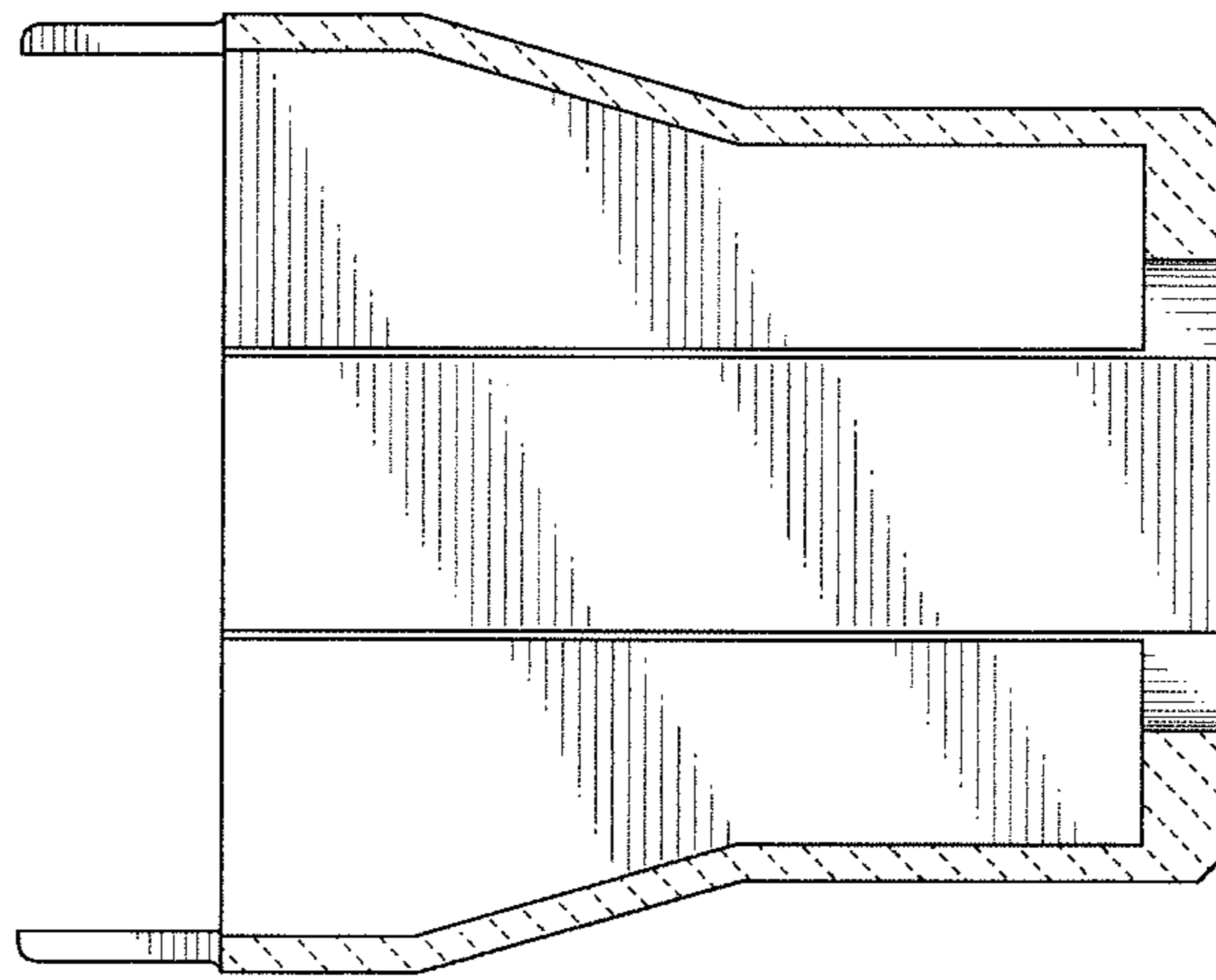


Fig. 10

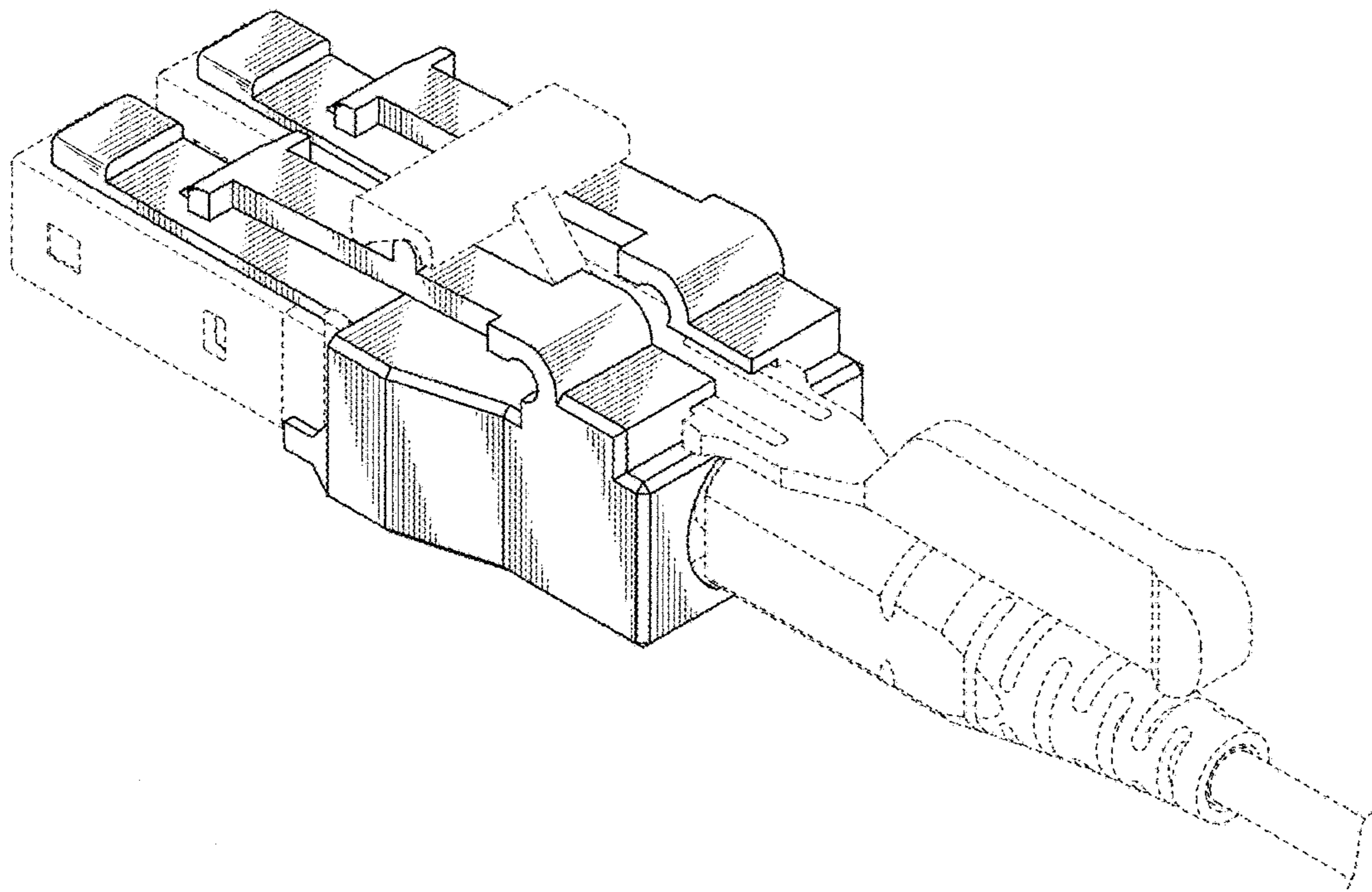


Fig. 11