



US00D828810S

(12) **United States Design Patent**
Zhang

(10) **Patent No.:** **US D828,810 S**

(45) **Date of Patent:** **** Sep. 18, 2018**

(54) **CHARGER ADAPTER HOLDER AND CONNECTOR**

(71) Applicant: **Zhiguang Zhang**, Guangzhou (CN)

(72) Inventor: **Zhiguang Zhang**, Guangzhou (CN)

(**) Term: **15 Years**

(21) Appl. No.: **29/566,380**

(22) Filed: **May 28, 2016**

(51) **LOC (11) Cl.** **13-03**

(52) **U.S. Cl.**
USPC **D13/133**

(58) **Field of Classification Search**
USPC D13/133, 146, 147, 154, 184, 199
CPC H01R 13/58; H01R 13/5845; H01R 13/02;
H01R 13/03; H01R 13/405; H01R 13/648; H01R 13/506; H01R 13/516;
H01R 12/57; H01R 13/6585; H01R 24/60; H01R 2107/00; H01R 13/518;
H01R 13/627; H01R 13/6315; H01R 13/6453; H01R 13/6586; H01R 13/6597;
B29C 70/84; B29C 70/88; B29C 70/885
See application file for complete search history.

(56) **References Cited**

U.S. PATENT DOCUMENTS

- 7,894,615 B1 * 2/2011 McKiel, Jr. H03F 3/181
330/284
- D702,691 S * 4/2014 Lee D14/435.1
- D711,383 S * 8/2014 Lam D14/433
- D719,526 S 12/2014 Martinek
- D727,907 S * 4/2015 Higashi D14/433

- D739,824 S * 9/2015 Lin D13/146
- D802,595 S * 11/2017 Bo D14/435.1
- D811,343 S * 2/2018 Lau D13/147
- 2008/0223308 A1 * 9/2008 Stern A01K 27/004
119/720
- 2012/0259173 A1 * 10/2012 Waldron A61B 1/00073
600/109
- 2015/0257369 A1 * 9/2015 van Leeuwen A01K 27/003
119/770

* cited by examiner

Primary Examiner — Daniel Bui

(74) *Attorney, Agent, or Firm* — Novoclaims Patent Services LLC; Mei Lin Wong

(57) **CLAIM**

The ornamental design for a charger adapter holder and connector, as shown and described.

DESCRIPTION

FIG. 1 is a perspective view of a charger adapter holder and connector showing my new design.

FIG. 2 is a front view thereof.

FIG. 3 is a rear view thereof.

FIG. 4 is a left end view thereof.

FIG. 5 is a right end view thereof.

FIG. 6 is a top view thereof.

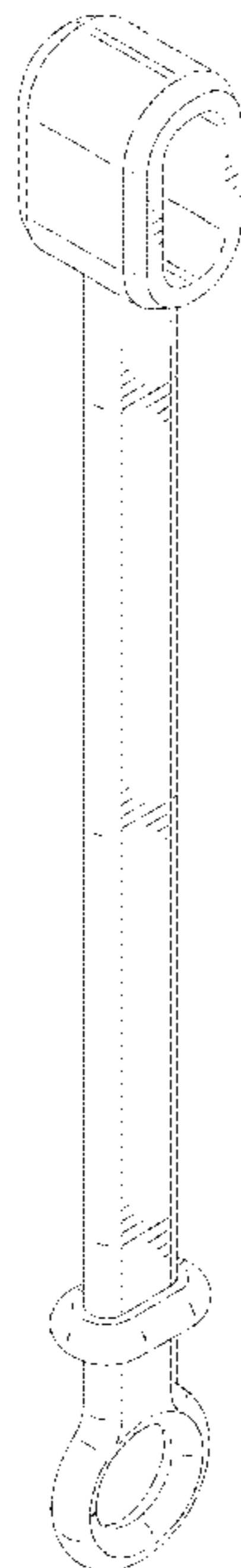
FIG. 7 is a bottom view thereof.

FIG. 8 is a perspective view shown in a first position of use; and,

FIG. 9 is a perspective view shown in a second position of use.

The broken lines in the drawings represent unclaimed environmental subject matter and form no part of the claim.

1 Claim, 9 Drawing Sheets



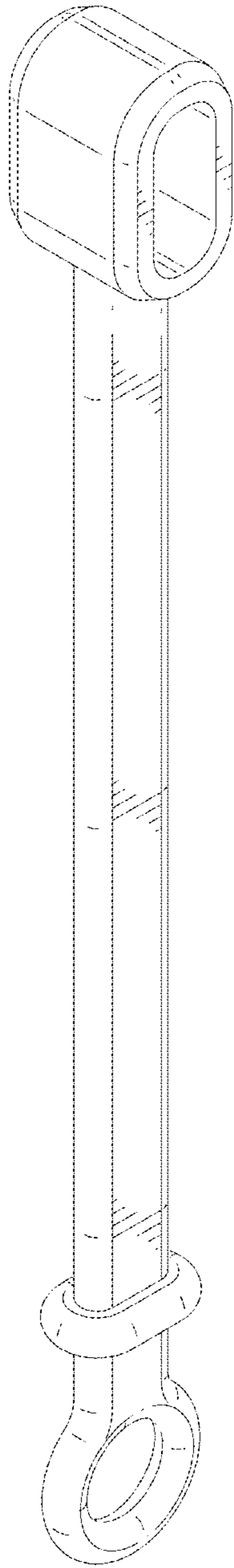


FIG.1

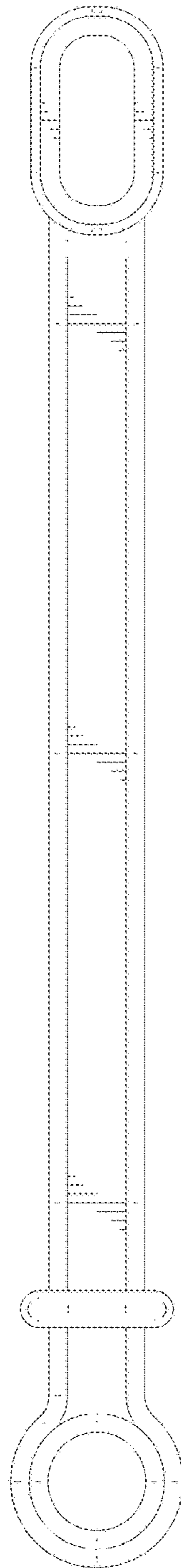


FIG.2

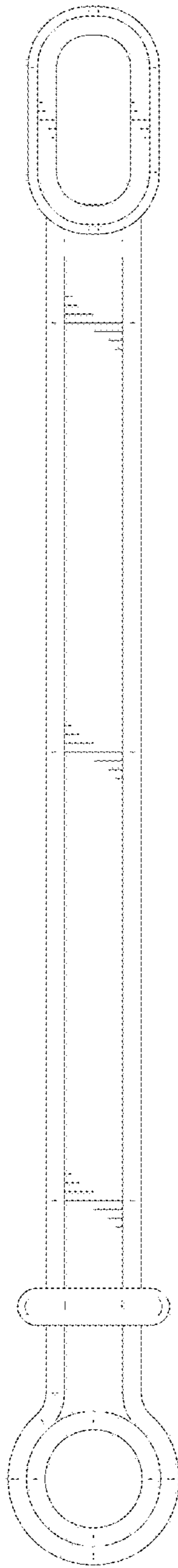


FIG.3

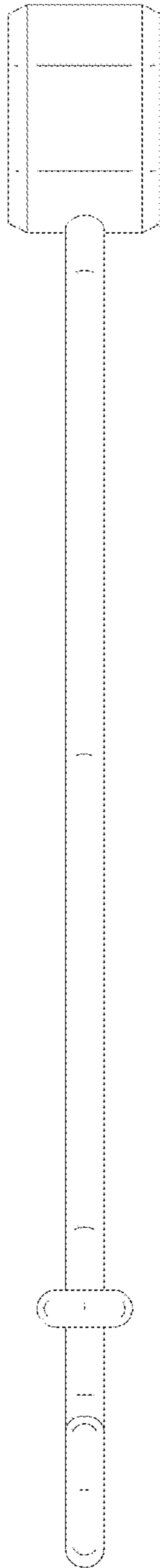


FIG.4

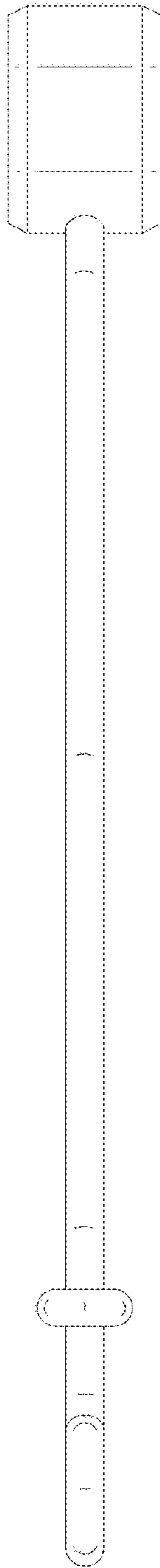


FIG.5

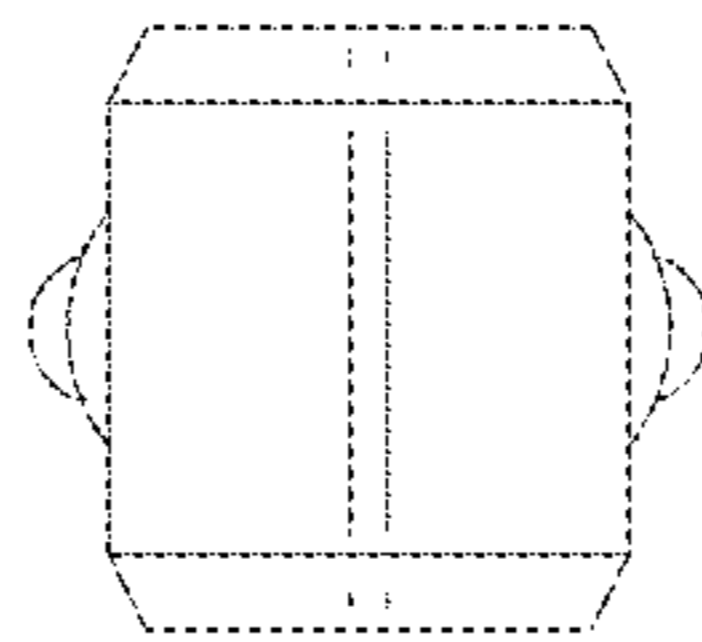


FIG.6

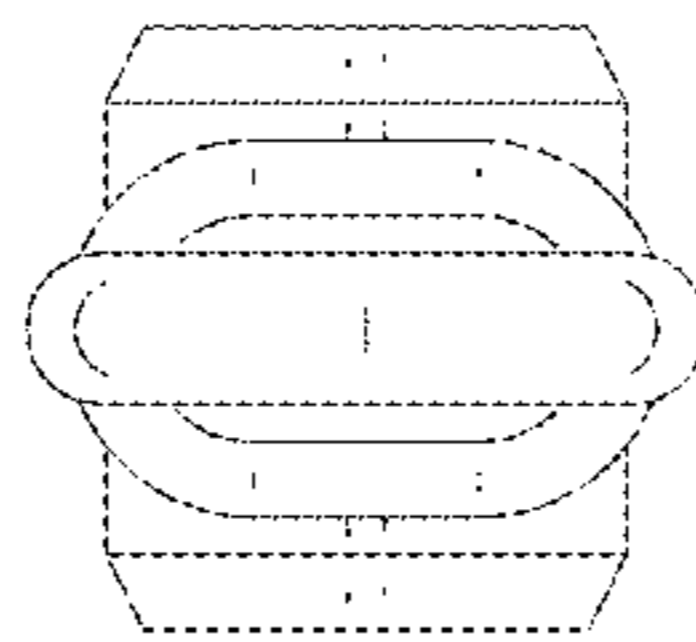


FIG.7

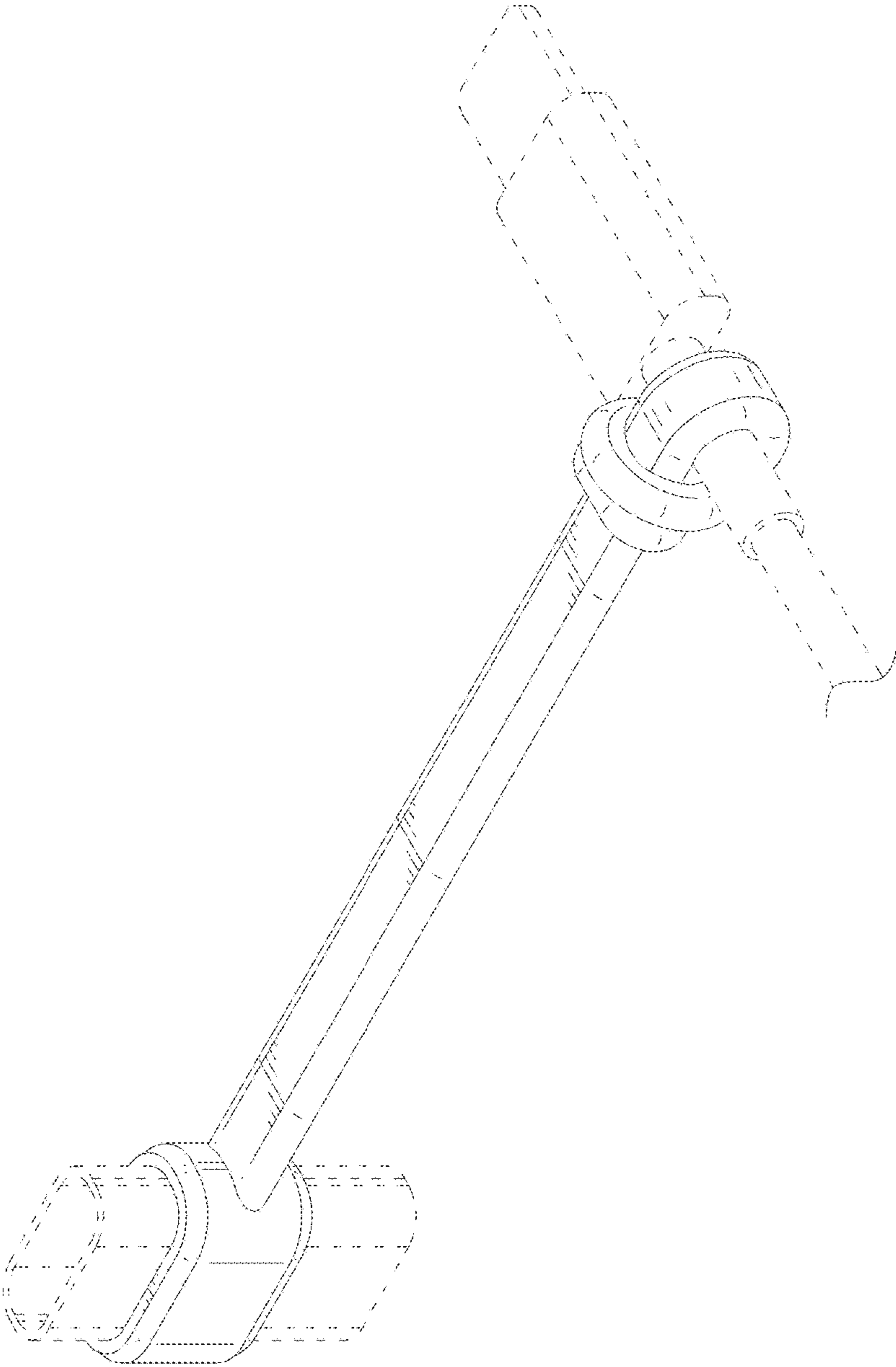


FIG.8

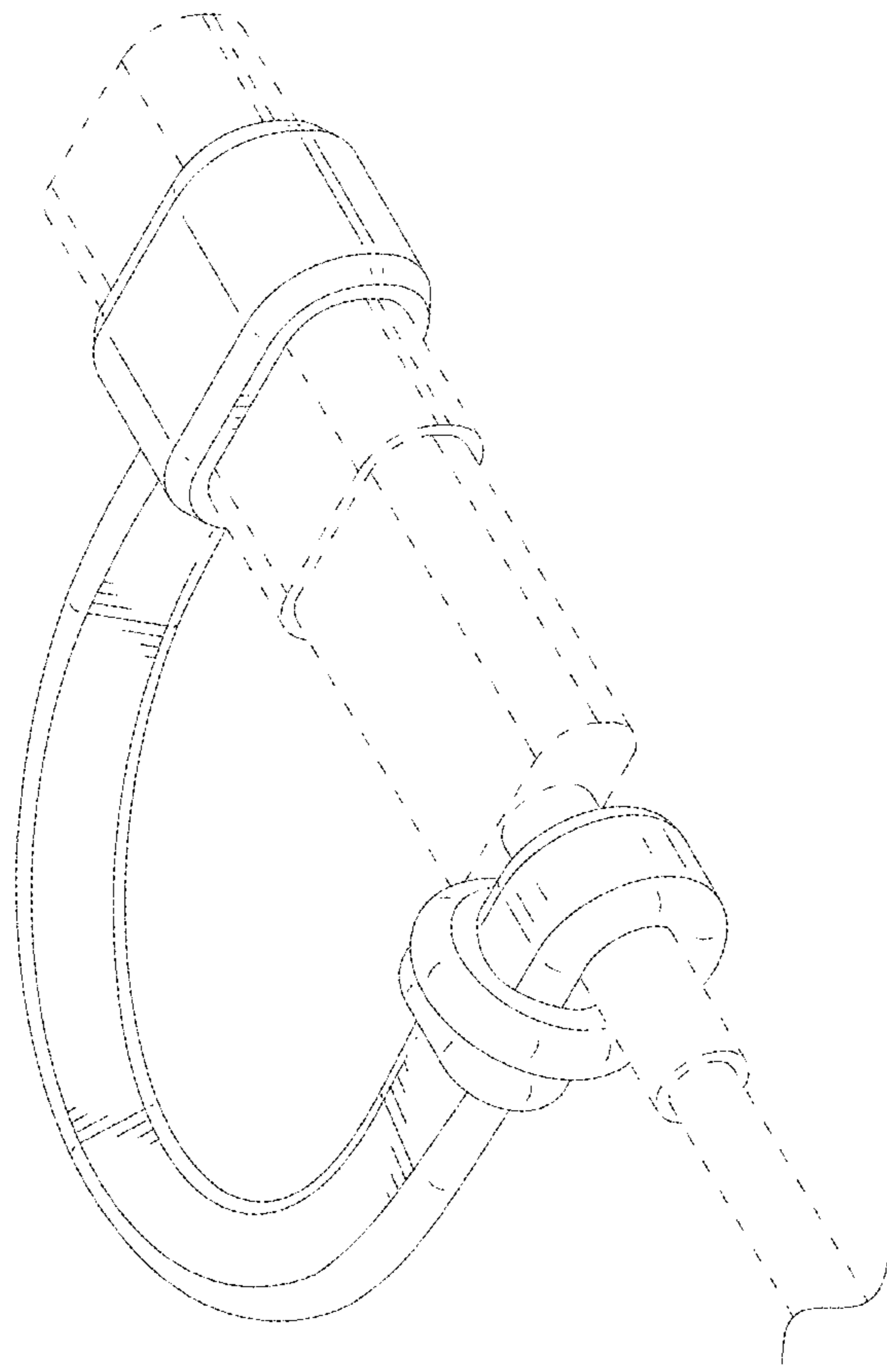


FIG.9