

US00D828809S

(12) **United States Design Patent** (10) **Patent No.:** **US D828,809 S**
Kameda et al. (45) **Date of Patent:** **** Sep. 18, 2018**

(54) **ROTOR CORE PLATE FOR ELECTRIC MOTOR**

(71) Applicant: **NHK SPRING CO., LTD.**,
Yokohama-shi, Kanagawa (JP)

(72) Inventors: **Yohei Kameda**, Yokohama (JP);
Yoshiki Ono, Yokohama (JP);
Kazuhisa Matsumoto, Yokohama (JP)

(73) Assignee: **NHK Spring Co., Ltd.**, Kanagawa (JP)

(**) Term: **15 Years**

(21) Appl. No.: **29/568,307**

(22) Filed: **Jun. 16, 2016**

(51) **LOC (11) Cl.** **13-02**

(52) **U.S. Cl.**
USPC **D13/122**

(58) **Field of Classification Search**
USPC D13/107, 108, 109, 110, 112, 114, 117,
D13/118, 119, 121, 122, 126, 128, 130,
D13/132, 148, 173, 184; D15/1, 2, 5, 9,
D15/29, 132, 133, 136, 139, 143, 199;
D25/61, 138, 199
CPC H02P 5/505; H02P 6/06; H02P 6/08; H02P
6/10; H02P 7/20; H02P 7/24; H02P 7/30;
H02P 21/12; H02P 25/24; H02P 25/26;
H02P 25/28; H02P 27/024; H02P 27/048;
H02P 27/05; H02P 22/07
See application file for complete search history.

(56) **References Cited**

U.S. PATENT DOCUMENTS

D557,830 S *	12/2007	Lee	D25/199
D690,650 S *	10/2013	Lin	D13/122
D696,628 S *	12/2013	Hutchinson	D13/114
D703,249 S *	4/2014	Pinchot	D15/139
D705,165 S *	5/2014	Canon	D13/114
D736,420 S *	8/2015	Somerfield	D25/199
D739,039 S *	9/2015	Gomes	D25/138

D741,921 S *	10/2015	Jarvius	D15/136
D741,922 S *	10/2015	Cowley	D15/136
D768,220 S *	10/2016	Kinoshita	D15/199
D777,212 S *	1/2017	Turuvekere Gurudatt	D15/5
D786,936 S *	5/2017	Manning	D15/5
D788,944 S *	6/2017	Gomes	D25/61

(Continued)

FOREIGN PATENT DOCUMENTS

JP	2014-093859 A	5/2014
JP	2014-093860 A	5/2014

Primary Examiner — Susan B Hattan

Assistant Examiner — Suzanne E Tisdell

(74) *Attorney, Agent, or Firm* — Norris McLaughlin & Marcus, P.A.

(57) **CLAIM**

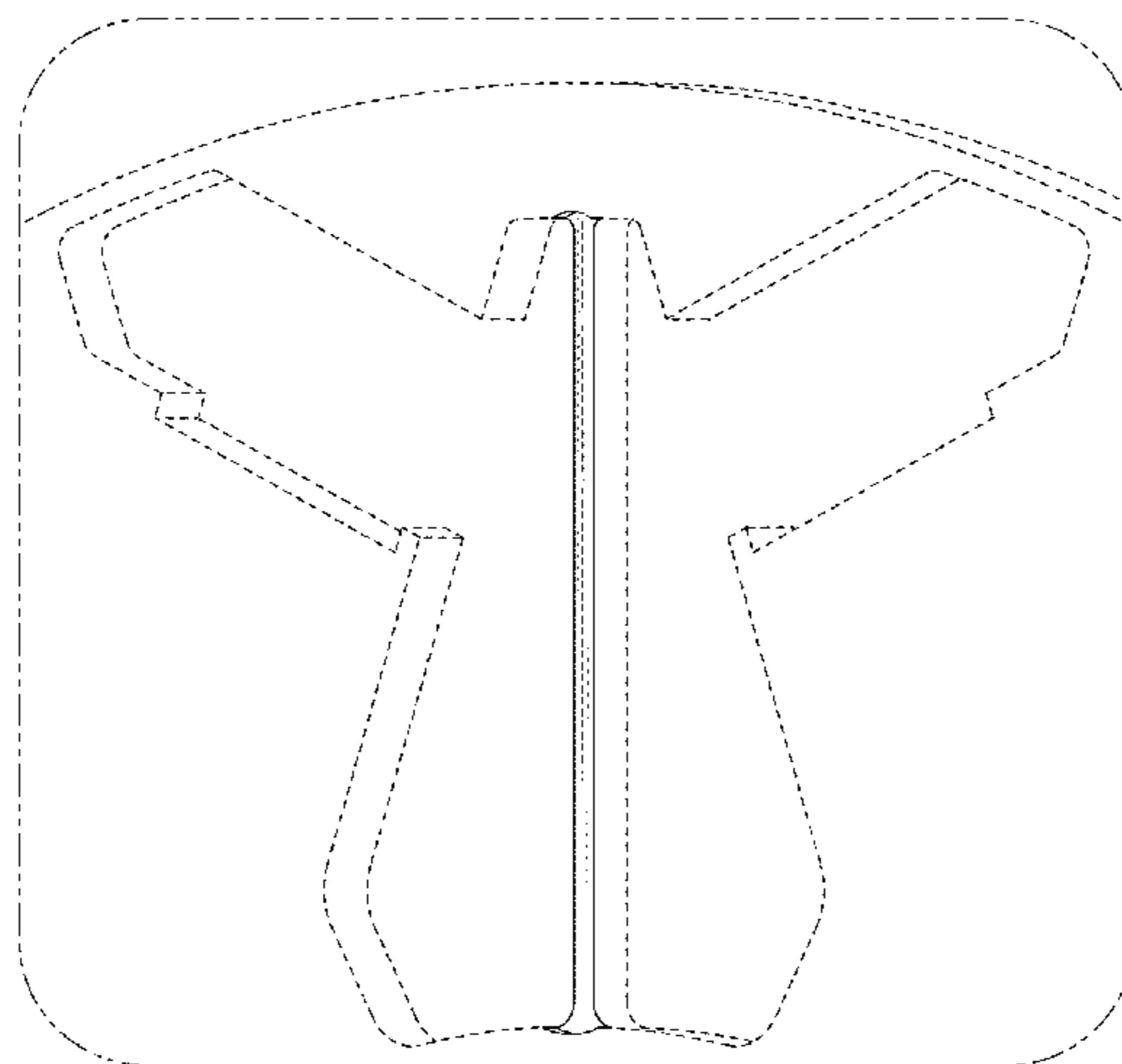
The ornamental design for a rotor core plate for an electric motor, as shown and described.

DESCRIPTION

FIG. 1 is a perspective view of a rotor core plate showing our new design;
 FIG. 2 is an enlarged view of part of FIG. 1 surrounded by a two-dash chain line;
 FIG. 3 is a front elevational view of FIG. 1;
 FIG. 4 is an enlarged view of part of FIG. 3 surrounded by a two-dash chain line;
 FIG. 5 is a rear elevational view of FIG. 3;
 FIG. 6 is a left side view of FIG. 3; the right side view being a mirror image thereof;
 FIG. 7 is a top plan view of FIG. 3; the bottom plan view being a mirror image thereof; and,
 FIG. 8 is a cross-sectional view of FIG. 3 taken along the 8-8' line.

The evenly spaced broken lines show environment and form no part of the claimed design and the two-dash chain lines depict the extent of the enlarged views and form no part of the claimed design.

1 Claim, 8 Drawing Sheets



(56)

References Cited

U.S. PATENT DOCUMENTS

D792,911	S *	7/2017	Kendall	D15/5
2007/0007848	A1 *	1/2007	Takeuchi	F04D 25/066 310/268
2009/0189552	A1 *	7/2009	Mizumaki	H02P 6/08 318/400.1
2010/0052590	A1 *	3/2010	Brattoli	G01R 21/06 318/490
2011/0037422	A1 *	2/2011	Pollock	H02P 6/10 318/400.34
2012/0119690	A1 *	5/2012	Nishiyama	H02K 1/146 318/724
2013/0093265	A1 *	4/2013	Hunter	H02K 41/0356 310/12.15
2014/0125182	A1	5/2014	Takahashi		
2014/0125183	A1	5/2014	Takahashi		
2015/0115851	A1 *	4/2015	Zhao	H02P 6/08 318/400.06
2015/0207439	A1 *	7/2015	Ye	H02P 25/098 318/400.23
2015/0365023	A1 *	12/2015	Schock	H02P 6/085 318/400.3
2016/0079889	A1 *	3/2016	Pietromonaco	H02K 11/22 318/400.3
2016/0079894	A1 *	3/2016	Nessel	H02P 6/16 318/400.26
2016/0082772	A1 *	3/2016	Biderman	A61G 5/045 301/6.5
2016/0291445	A1 *	10/2016	Fisher, Sr.	G03B 15/006
2017/0163181	A1 *	6/2017	Namuduri	H02P 6/06

* cited by examiner

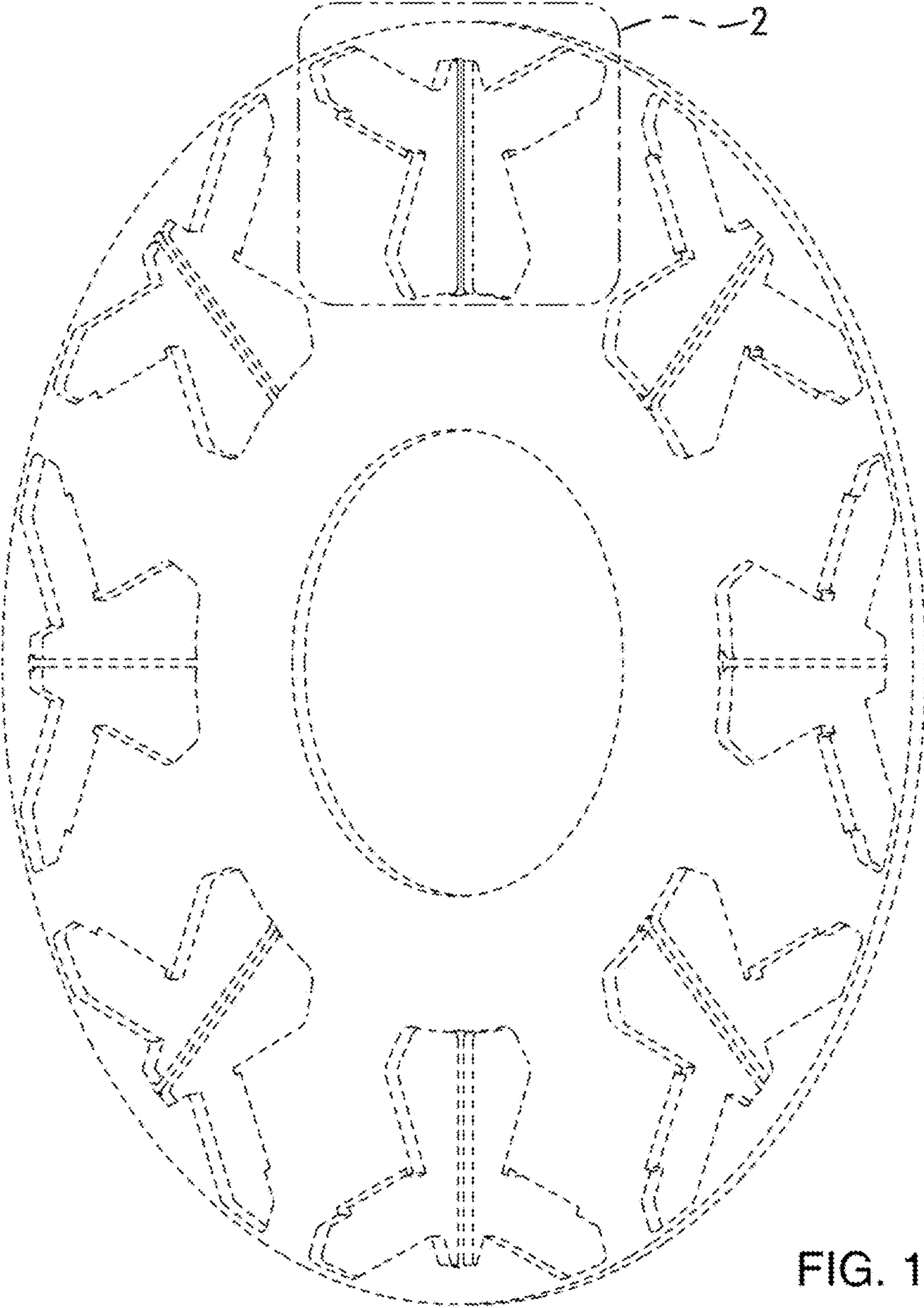


FIG. 1

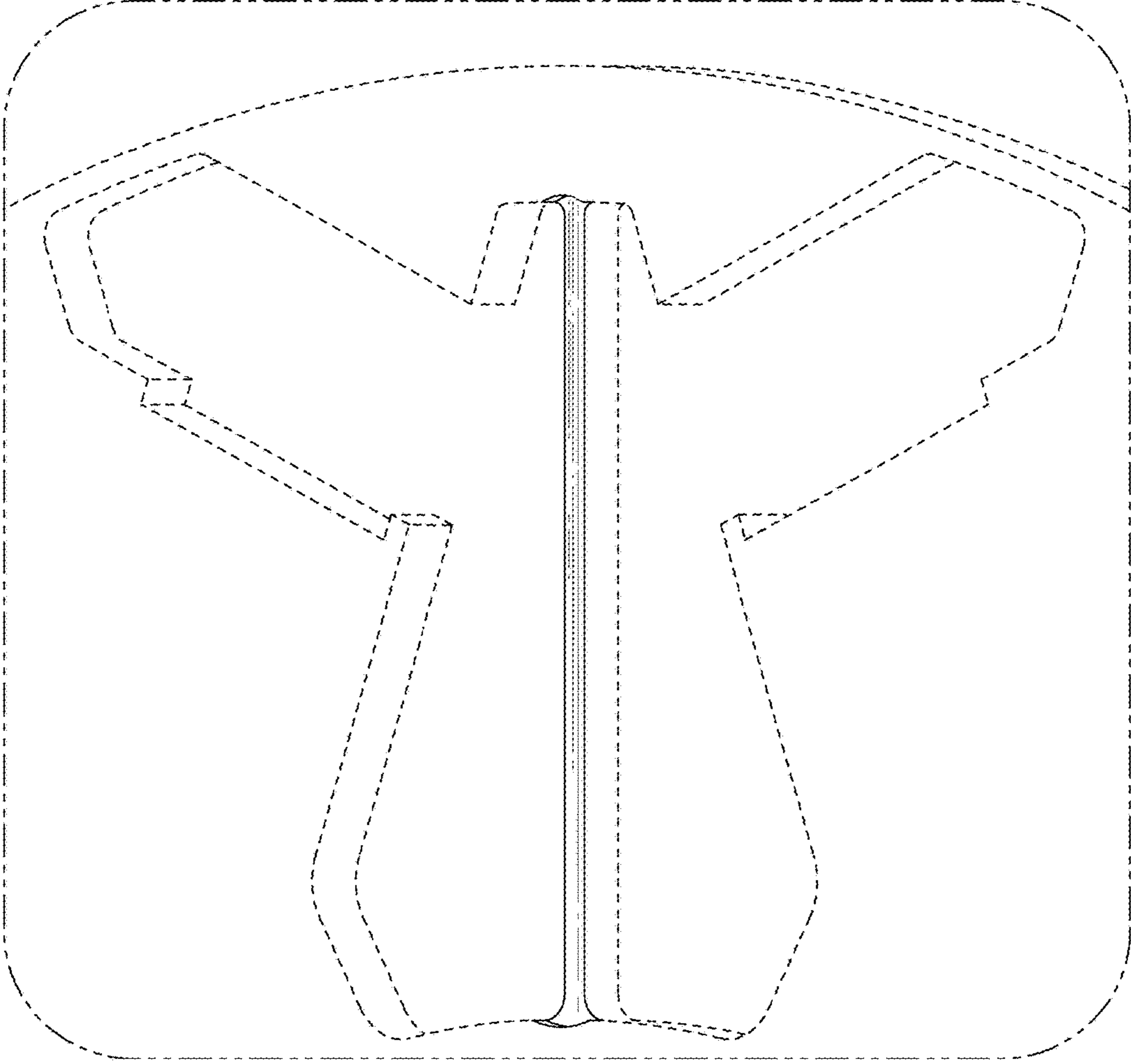


FIG. 2

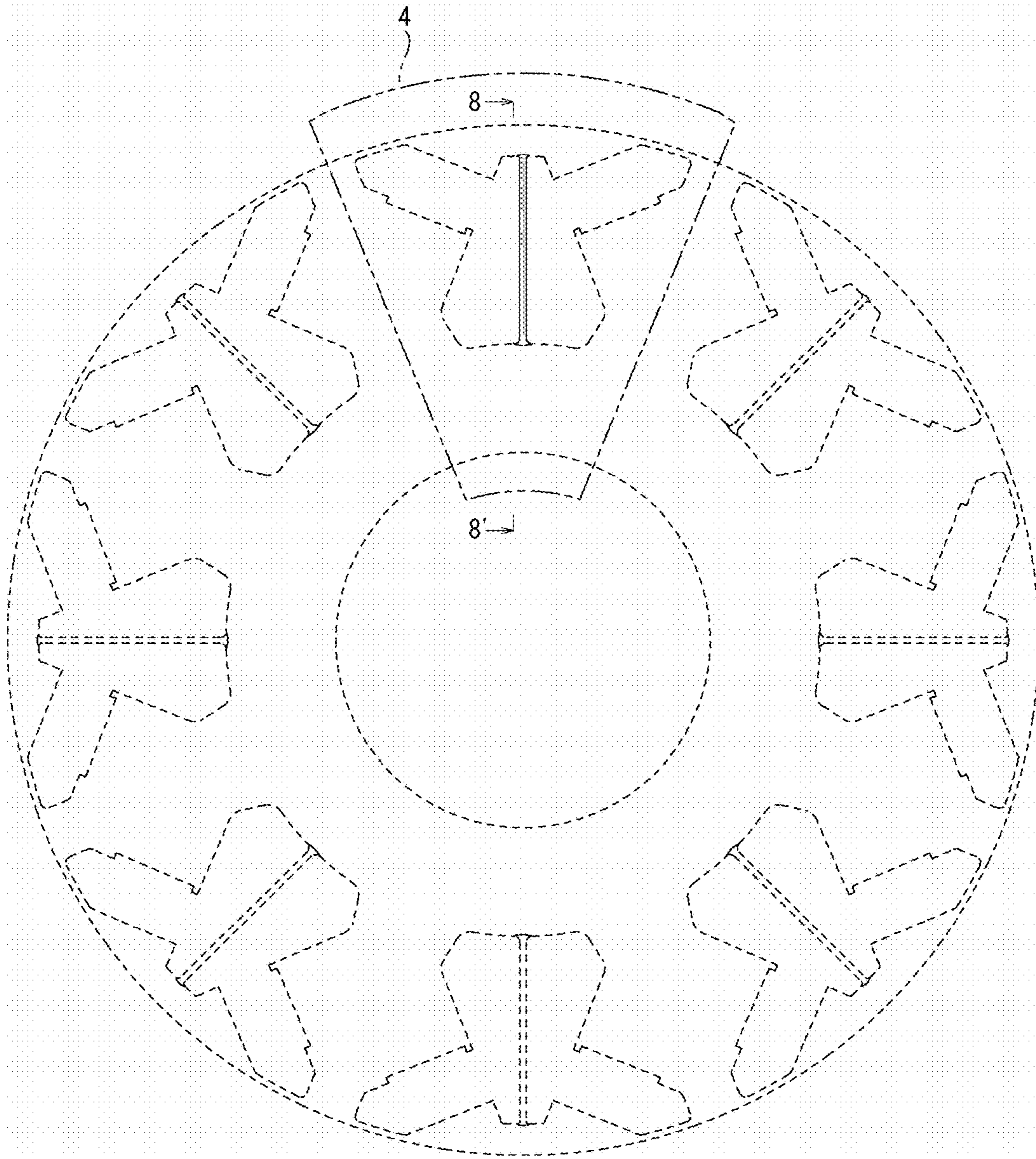


FIG. 3

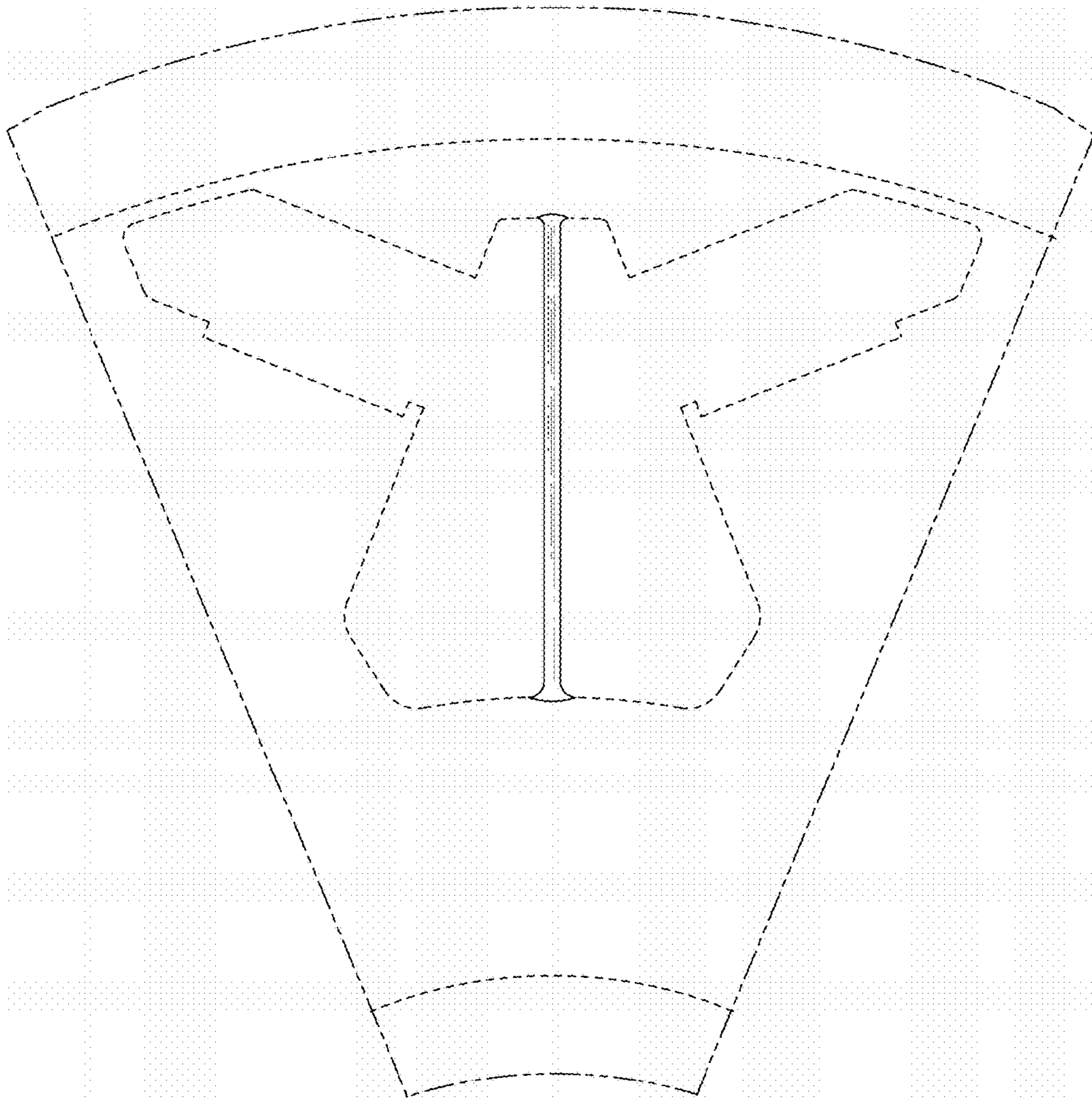


FIG. 4

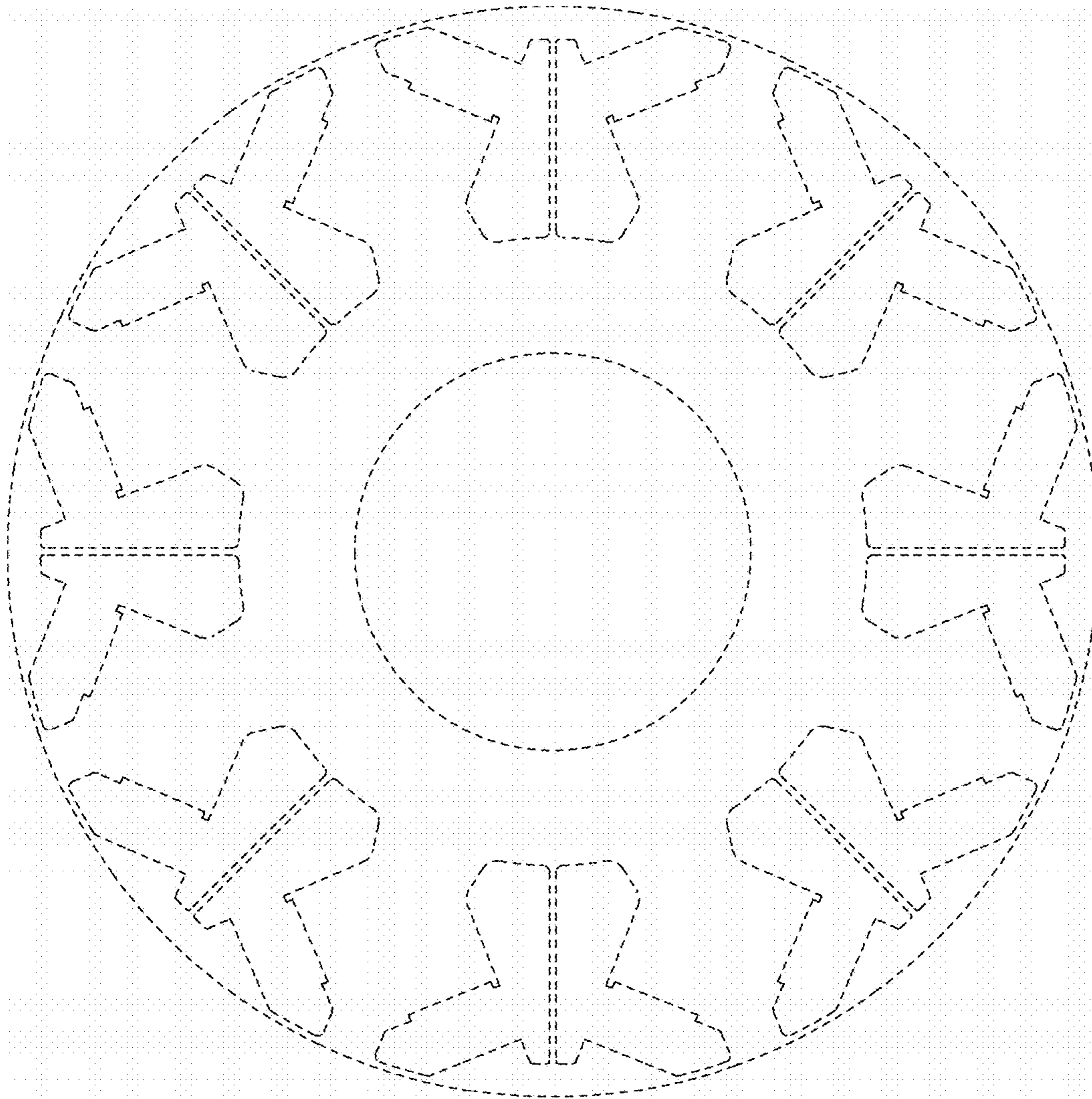


FIG. 5

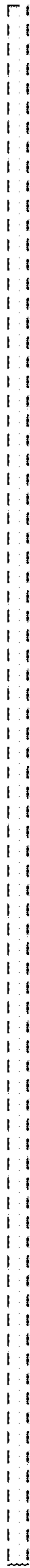


FIG. 6



FIG.7

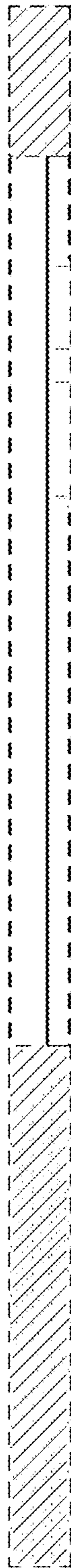


FIG.8