



US00D828808S

(12) **United States Design Patent** (10) **Patent No.:** **US D828,808 S**
Kameda et al. (45) **Date of Patent:** **** Sep. 18, 2018**

(54) **ROTOR CORE PLATE FOR ELECTRIC MOTOR**

(71) Applicant: **NHK SPRING CO., LTD.**,
Yokohama-shi, Kanagawa (JP)

(72) Inventors: **Yohei Kameda**, Yokohama (JP);
Yoshiki Ono, Yokohama (JP);
Kazuhisa Matsumoto, Yokohama (JP)

(73) Assignee: **NHK Co., Ltd.**, Kanagawa (JP)

(**) Term: **15 Years**

(21) Appl. No.: **29/568,306**

(22) Filed: **Jun. 16, 2016**

(51) **LOC (11) Cl.** **13-02**

(52) **U.S. Cl.**
USPC **D13/122**

(58) **Field of Classification Search**
USPC D13/107, 108, 109, 110, 112, 114, 117,
D13/118, 119, 121, 122, 126, 128, 130,
D13/132, 148, 173, 184; D15/1, 2, 5, 9,
D15/29, 132, 133, 136, 139, 143, 199;
D25/61, 138, 199
CPC H02P 5/505; H02P 6/06; H02P 6/08; H02P
6/10; H02P 7/20; H02P 7/24; H02P 7/30;
H02P 21/12; H02P 25/24; H02P 25/26;
H02P 25/28; H02P 27/024; H02P 27/048;
H02P 27/05; H02P 22/07
See application file for complete search history.

(56) **References Cited**

U.S. PATENT DOCUMENTS

D557,830 S	*	12/2007	Lee	D25/199
D690,650 S	*	10/2013	Lin	D13/122
D696,628 S	*	12/2013	Hutchinson	D13/114
D703,249 S	*	4/2014	Pinchot	D15/139
D705,165 S	*	5/2014	Canon	D13/114
D736,420 S	*	8/2015	Somerfield	D25/199
D739,039 S	*	9/2015	Gomes	D25/138

D741,921 S	*	10/2015	Jarvius	D15/136
D741,922 S	*	10/2015	Cowley	D15/136
D768,220 S	*	10/2016	Kinoshita	D15/199
D777,212 S	*	1/2017	Turuvekere Gurudatt	D15/5
D786,936 S	*	5/2017	Manning	D15/5
D788,944 S	*	6/2017	Gomes	D25/61

(Continued)

Primary Examiner — Marianne N Pandozzi

Assistant Examiner — Suzanne E Tisdell

(74) *Attorney, Agent, or Firm* — Norris McLaughlin & Marcus, P.A.

(57) **CLAIM**

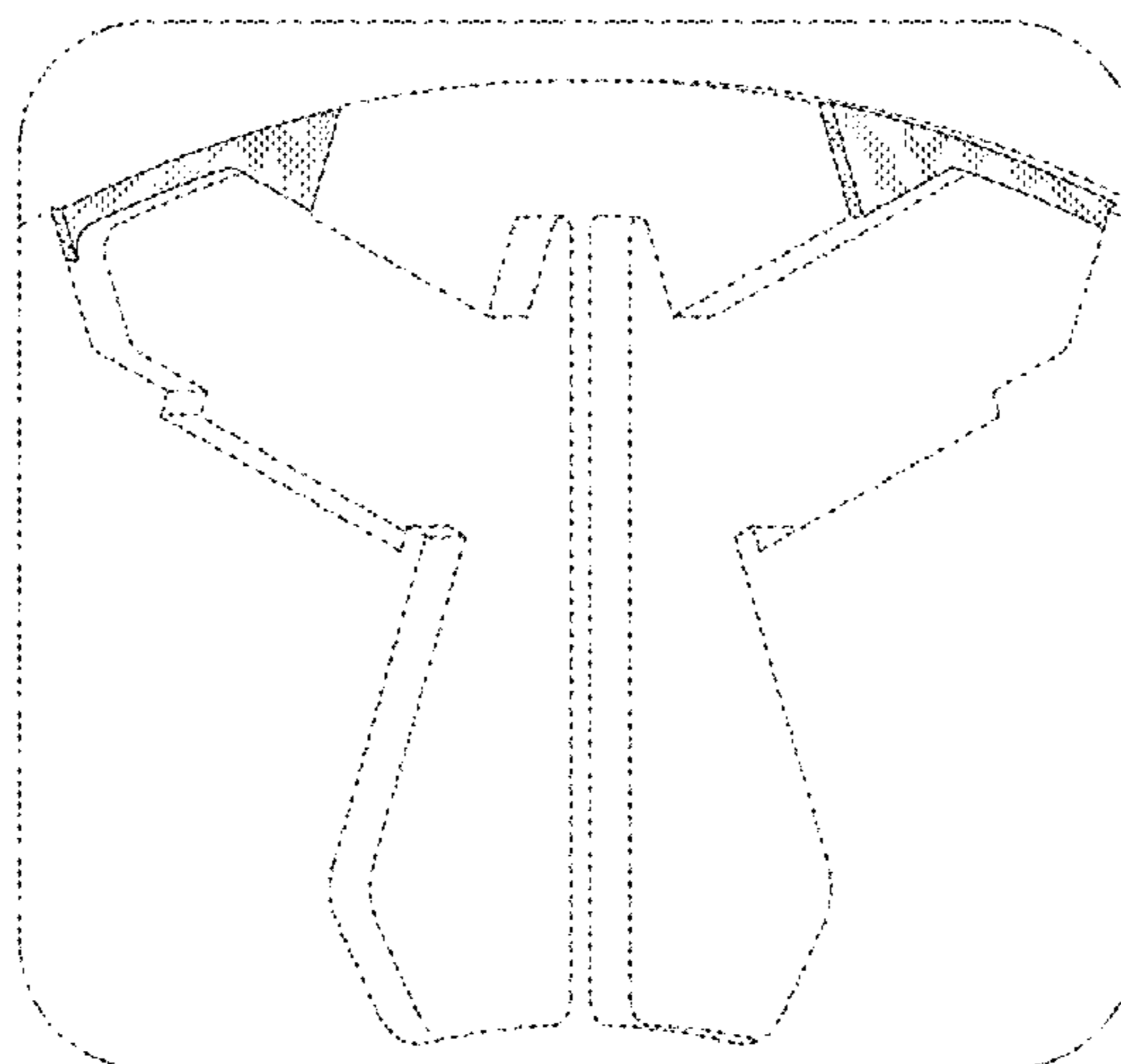
The ornamental design for a rotor core plate for an electric motor, as shown and described.

DESCRIPTION

FIG. 1 is a perspective view of a rotor core plate showing our new design;
FIG. 2 is an enlarged view of part of FIG. 1 surrounded by a broken line;
FIG. 3 is a front elevational view of FIG. 1;
FIG. 4 is an enlarged view of part of FIG. 3 surrounded by a two-dash chain line;
FIG. 5 is a rear elevational view of FIG. 1;
FIG. 6 is a left side view of FIG. 1; the right side view being a mirror image thereof;
FIG. 7 is an enlarged view of part of FIG. 6 surrounded by a two-dash chain line;
FIG. 8 is a top plan view of FIG. 1;
FIG. 9 is an enlarged view of part of FIG. 8 surrounded by a two-dash chain line;
FIG. 10 is a bottom plan view of FIG. 1; and,
FIG. 11 is a cross-sectional view of FIG. 3 taken along the 11-11' line.

The evenly spaced broken lines show environment and form no part of the claimed design and the two-dash chain lines depict the extent of the enlarged views and form no part of the claimed design.

1 Claim, 11 Drawing Sheets



(56)

References Cited

U.S. PATENT DOCUMENTS

D792,911 S * 7/2017 Kendall D15/5
2007/0007848 A1 * 1/2007 Takeuchi F04D 25/066
310/268
2009/0189552 A1 * 7/2009 Mizumaki H02P 6/08
318/400.1
2010/0052590 A1 * 3/2010 Brattoli G01R 21/06
318/490
2011/0037422 A1 * 2/2011 Pollock H02P 6/10
318/400.34
2012/0119690 A1 * 5/2012 Nishiyama H02K 1/146
318/724
2013/0093265 A1 * 4/2013 Hunter H02K 41/0356
310/12.15
2015/0115851 A1 * 4/2015 Zhao H02P 6/08
318/400.06
2015/0207439 A1 * 7/2015 Ye H02P 25/098
318/400.23
2015/0365023 A1 * 12/2015 Schock H02P 6/085
318/400.3
2016/0079889 A1 * 3/2016 Pietromonaco H02K 11/22
318/400.3
2016/0079894 A1 * 3/2016 Nessel H02P 6/16
318/400.26
2016/0082772 A1 * 3/2016 Biderman A61G 5/045
301/6.5
2016/0291445 A1 * 10/2016 Fisher, Sr. G03B 15/006
2017/0163181 A1 * 6/2017 Namuduri H02P 6/06

* cited by examiner

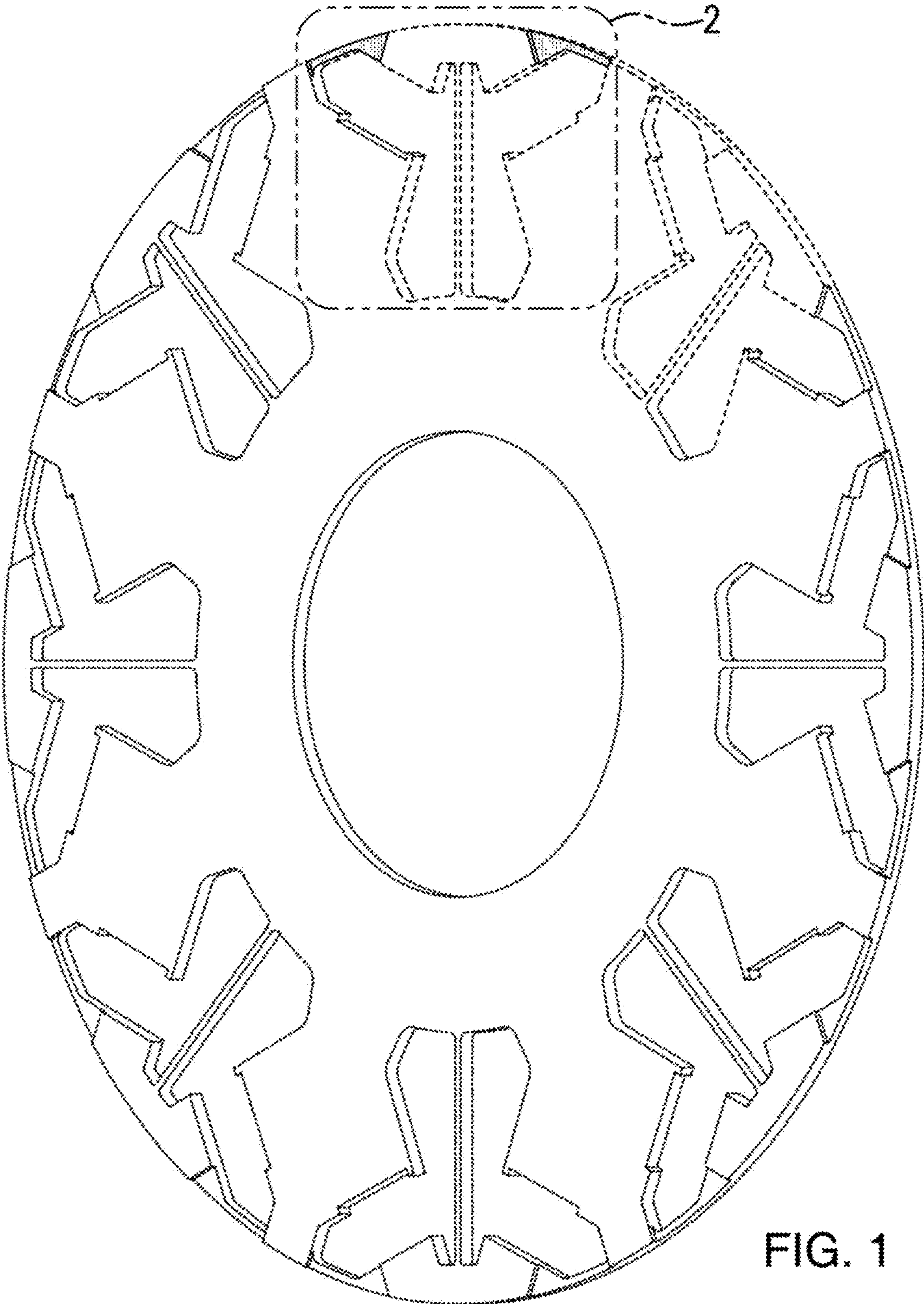


FIG. 1

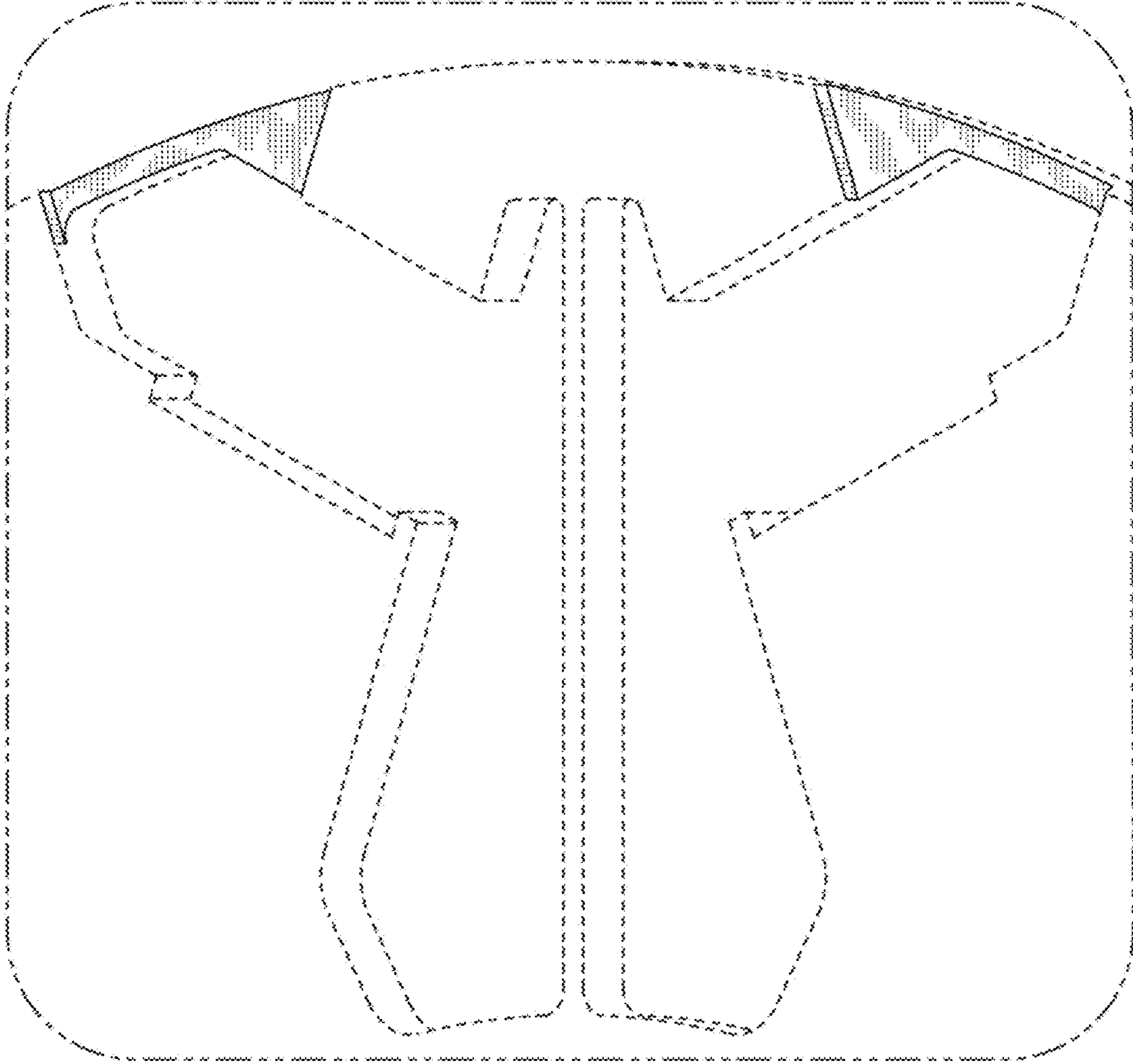


FIG. 2

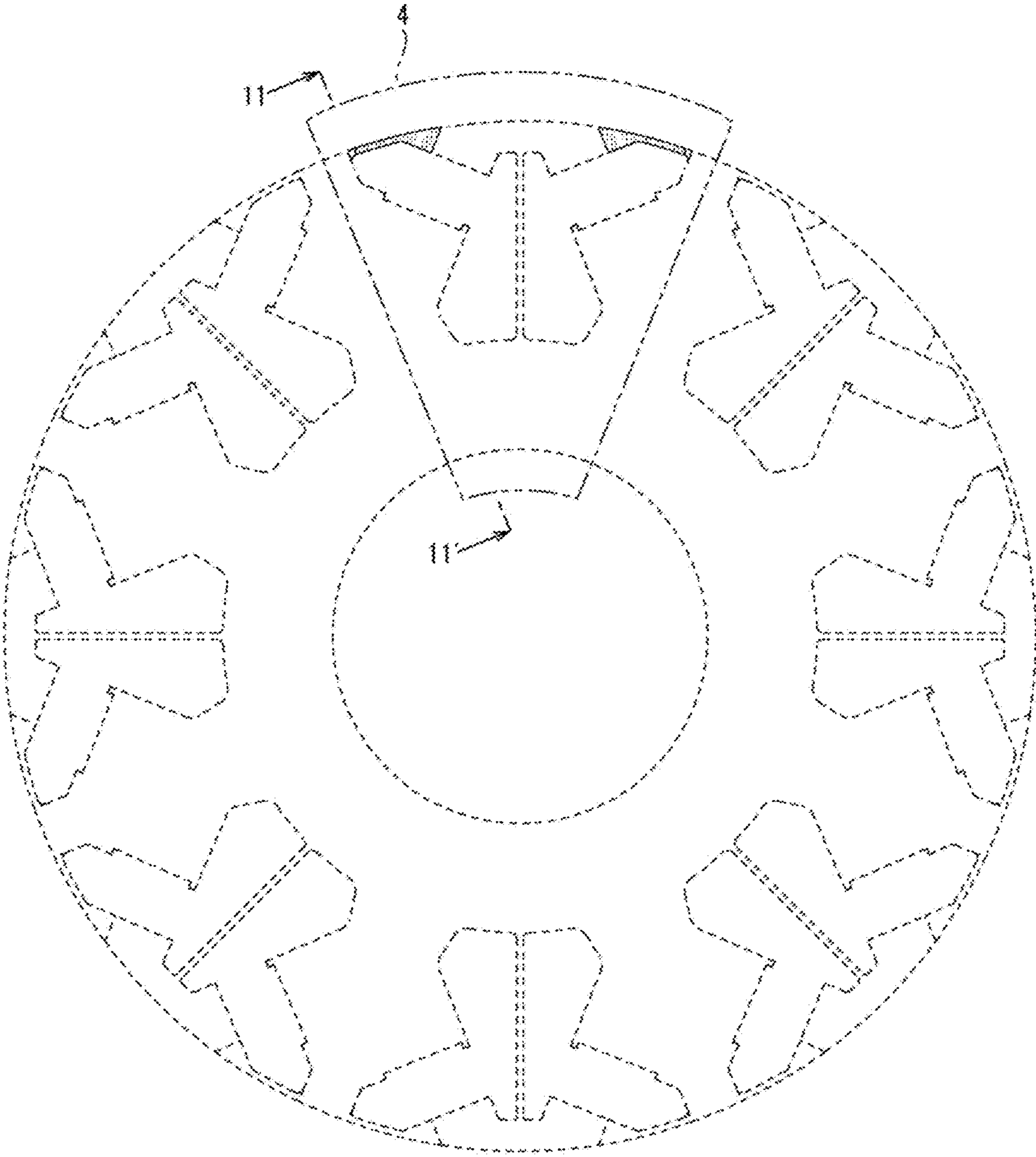


FIG. 3

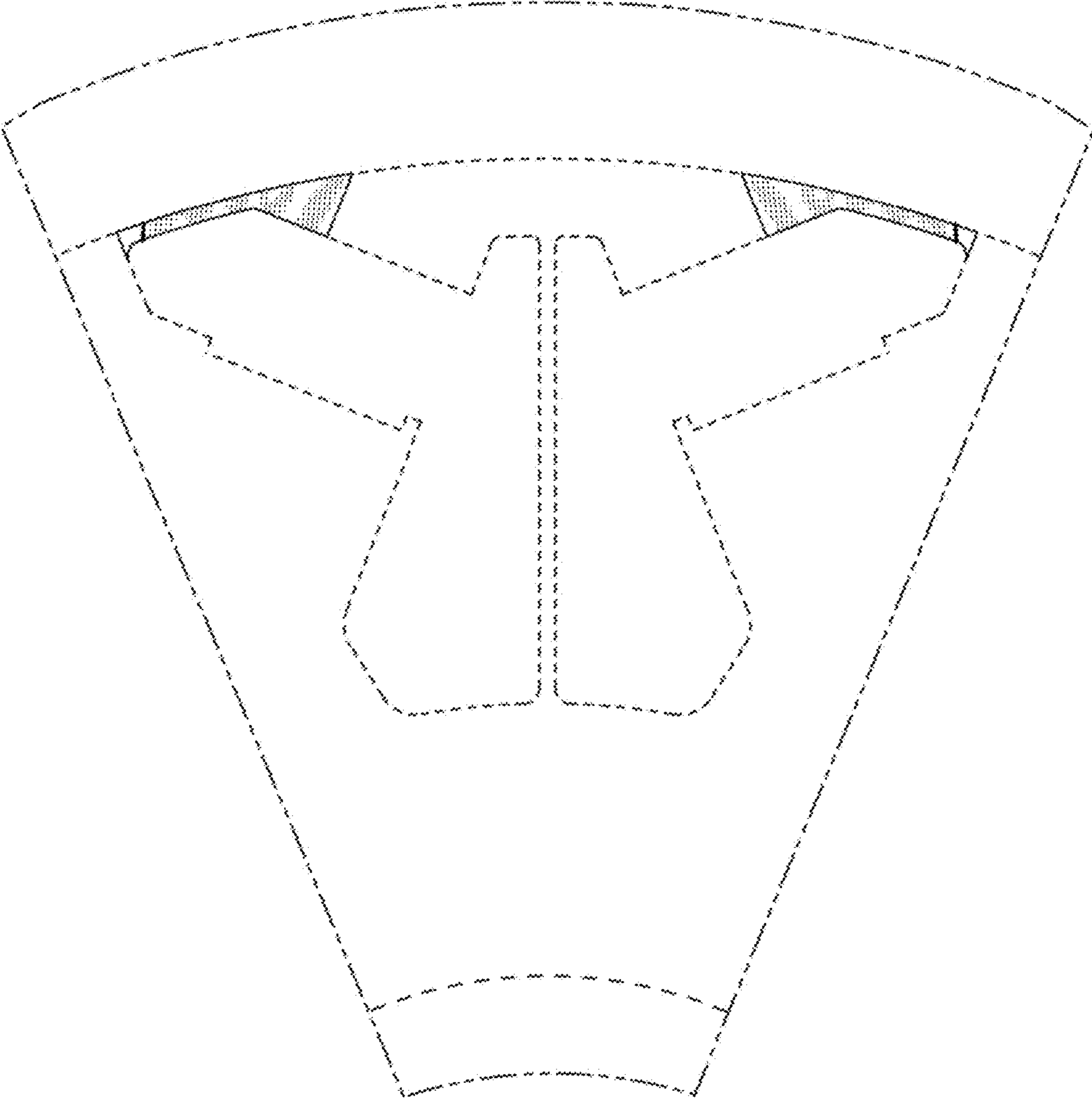


FIG. 4

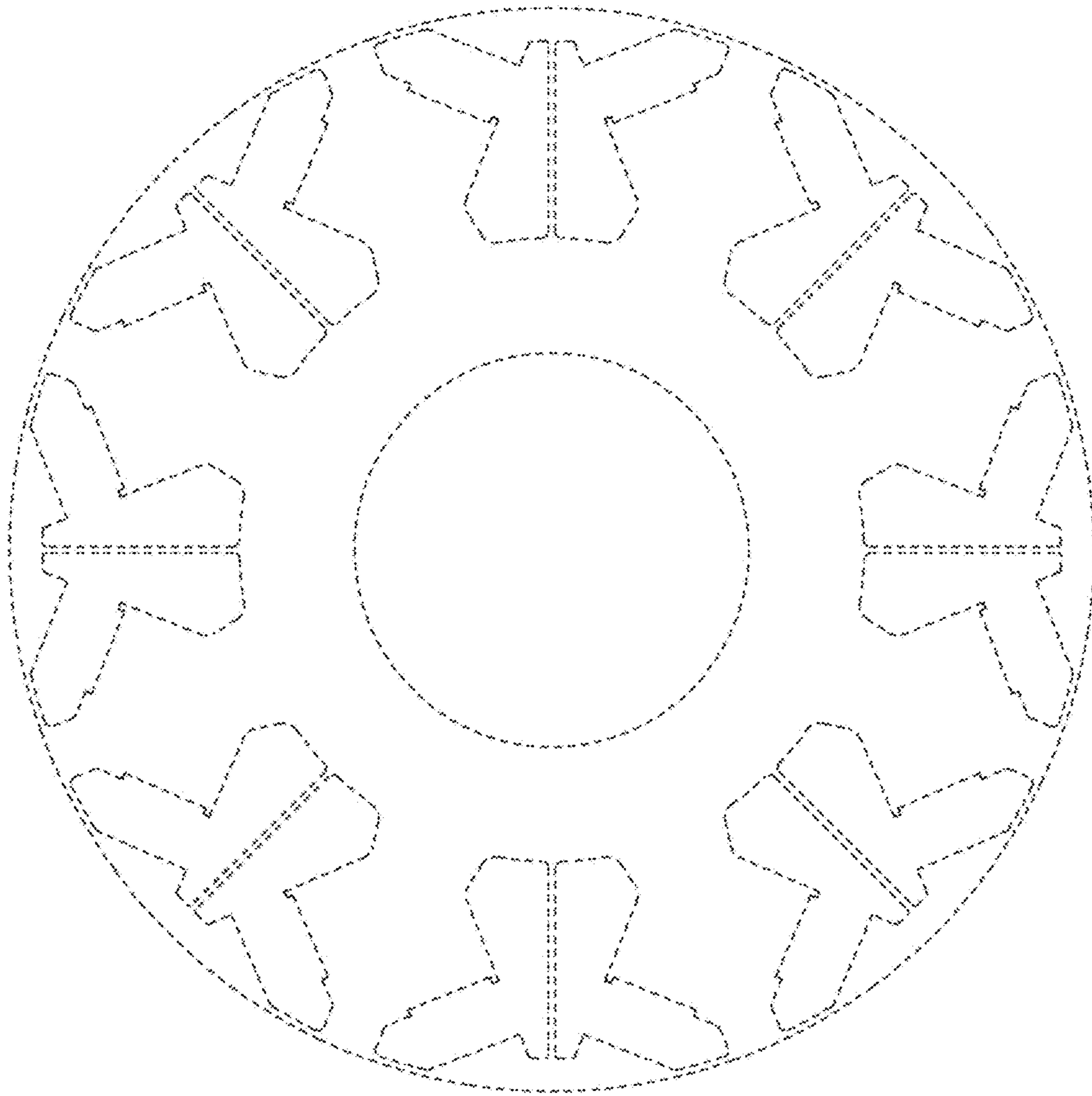


FIG. 5

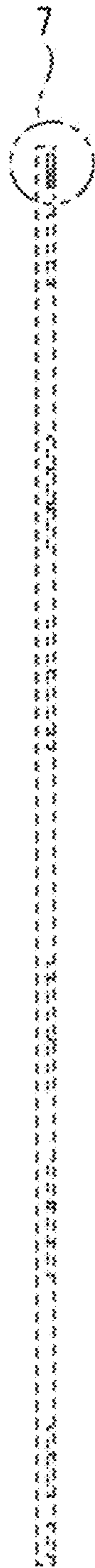


FIG. 6

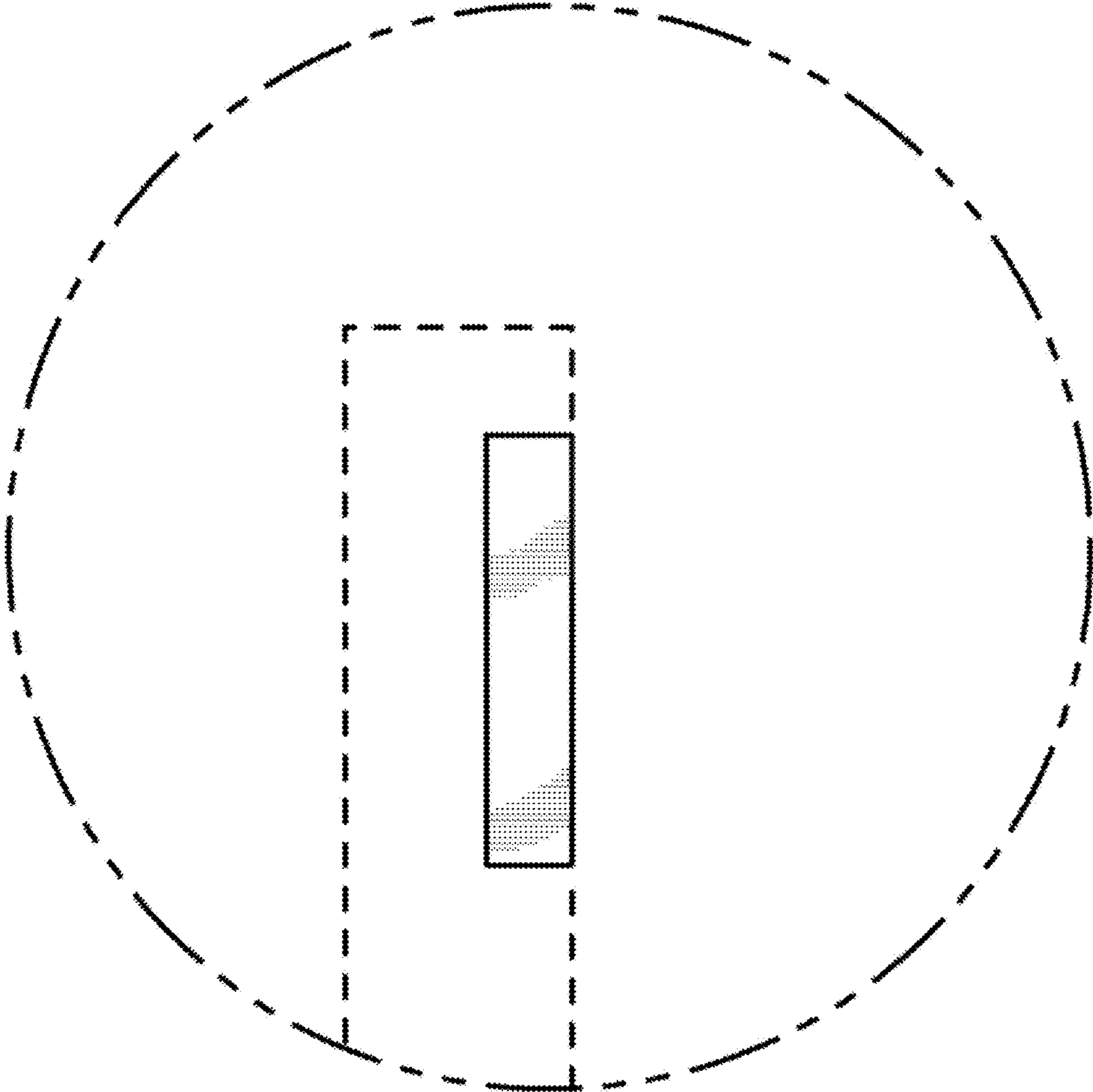


FIG. 7

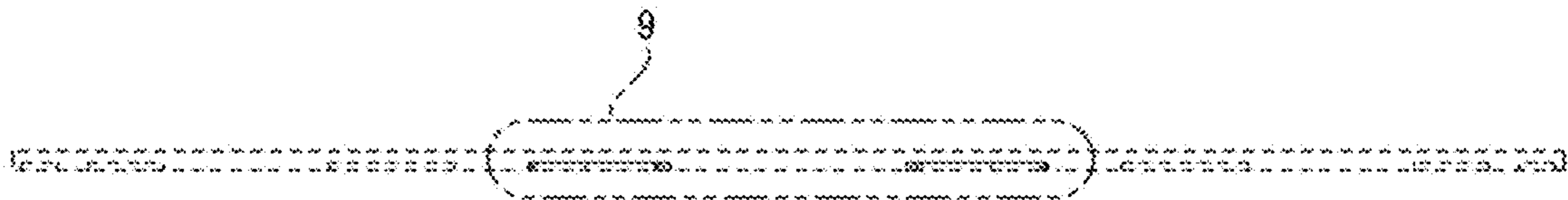


FIG. 8

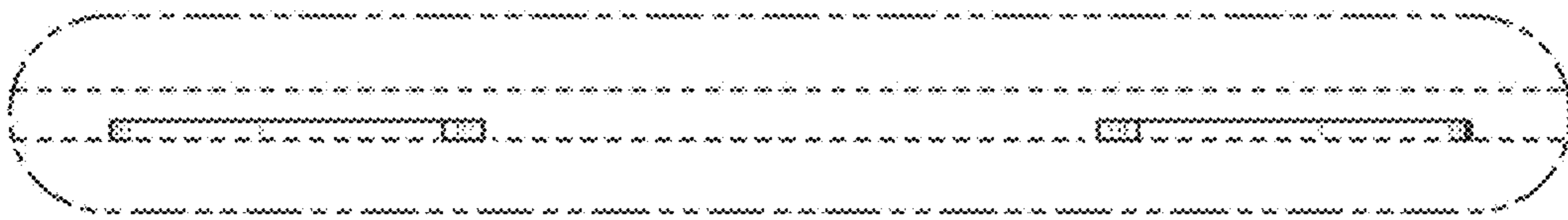


FIG. 9

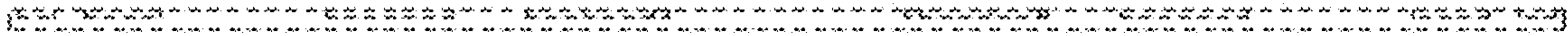


FIG. 10



FIG. 11