



US00D828804S

(12) **United States Design Patent** (10) **Patent No.:** **US D828,804 S**  
**Wilkes et al.** (45) **Date of Patent:** **\*\* Sep. 18, 2018**

(54) **PERIMETER SECURITY BULWARK FOR VESSEL OR MARINE INSTALLATION**

(56) **References Cited**

U.S. PATENT DOCUMENTS

(71) Applicant: **GRAY PAGE MARINE SYSTEMS LIMITED**, Oxford (GB)  
 (72) Inventors: **James Edward Wilkes**, Longworth (GB); **William Schofield**, Preston (GB)  
 (73) Assignee: **Gray Page Marine Systems Limited**, Oxford (GB)

D133,909 S *	9/1942	Harvey	224/406
D178,362 S *	7/1956	Grinnell	114/361
D230,644 S *	3/1974	Lange	D12/307
D236,194 S *	8/1975	Hendrickson	D12/317
D253,734 S *	12/1979	Howard	D12/317
4,895,096 A *	1/1990	Goodwin	B63B 23/66 114/259
6,604,482 B1 *	8/2003	Martello	B63B 59/02 114/218
D712,341 S *	9/2014	Lefgren	B63B 59/02 D12/317

(\*\*) Term: **15 Years**

\* cited by examiner

(21) Appl. No.: **35/503,458**

*Primary Examiner* — George D. Kirschbaum

(22) Filed: **Feb. 1, 2017**

*Assistant Examiner* — Joseph J Kukella

(80) **Hague Agreement Data**

Int. Filing Date: **Feb. 1, 2017**  
 Int. Reg. No.: **DM/095070**  
 Int. Reg. Date: **Feb. 1, 2017**  
 Int. Reg. Pub. Date: **Aug. 4, 2017**

(74) *Attorney, Agent, or Firm* — Banner & Witcoff, Ltd.

(57) **CLAIM**

The ornamental design for a perimeter security bulwark for vessel or marine installation, as shown and described.

(30) **Foreign Application Priority Data**

Aug. 1, 2016 (EM) ..... 003326743-0004

**DESCRIPTION**

(51) **LOC (11) Cl.** ..... **12-06**

(52) **U.S. Cl.**  
 USPC ..... **D12/317**

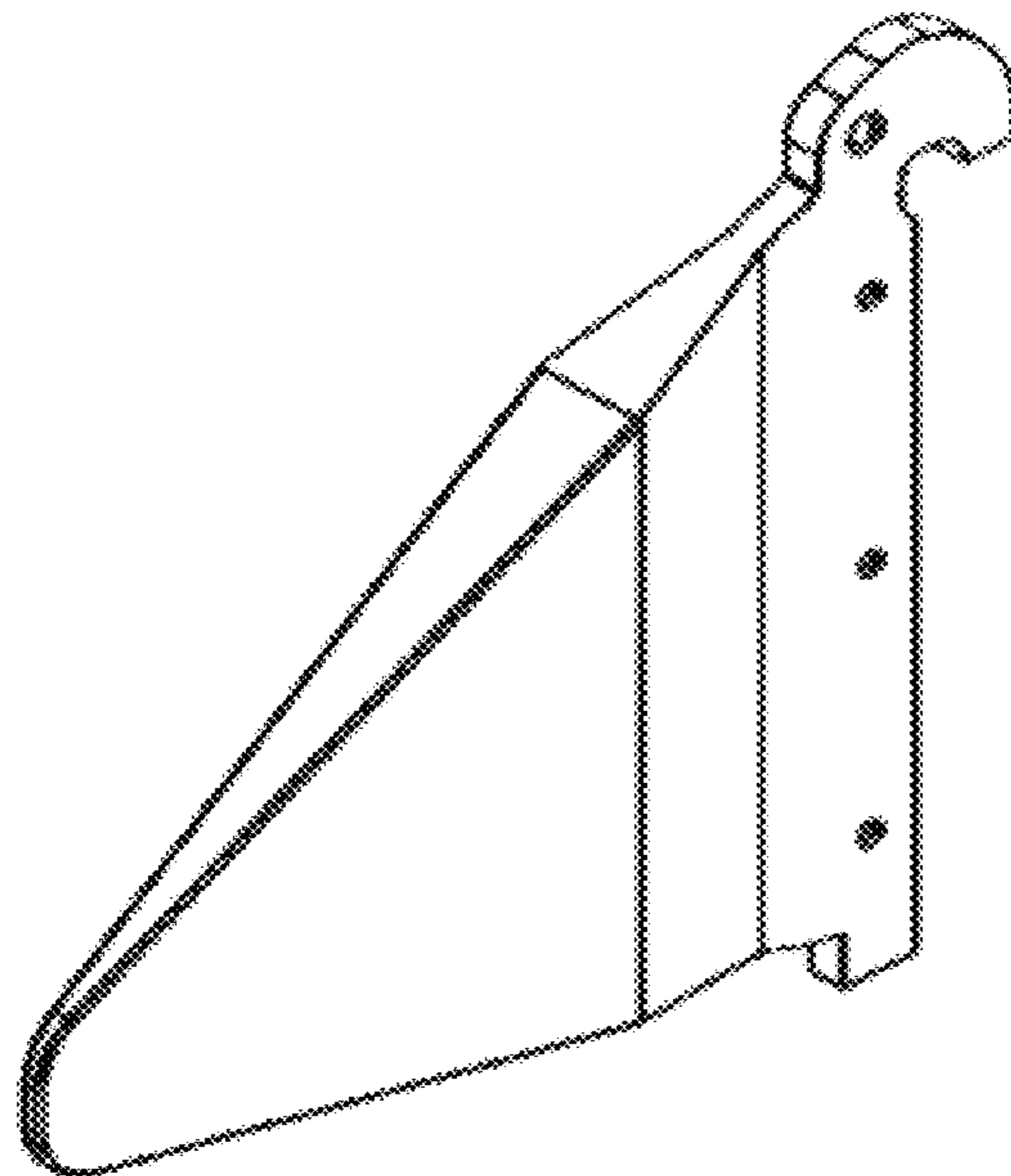
(58) **Field of Classification Search**  
 USPC ..... D12/310–318  
 CPC ... B63B 2035/004; B63B 35/54; B63B 43/18;  
 B63B 43/20; B63B 59/00; B63B 59/02  
 See application file for complete search history.

1. Perimeter security bulwark for vessel or marine installation

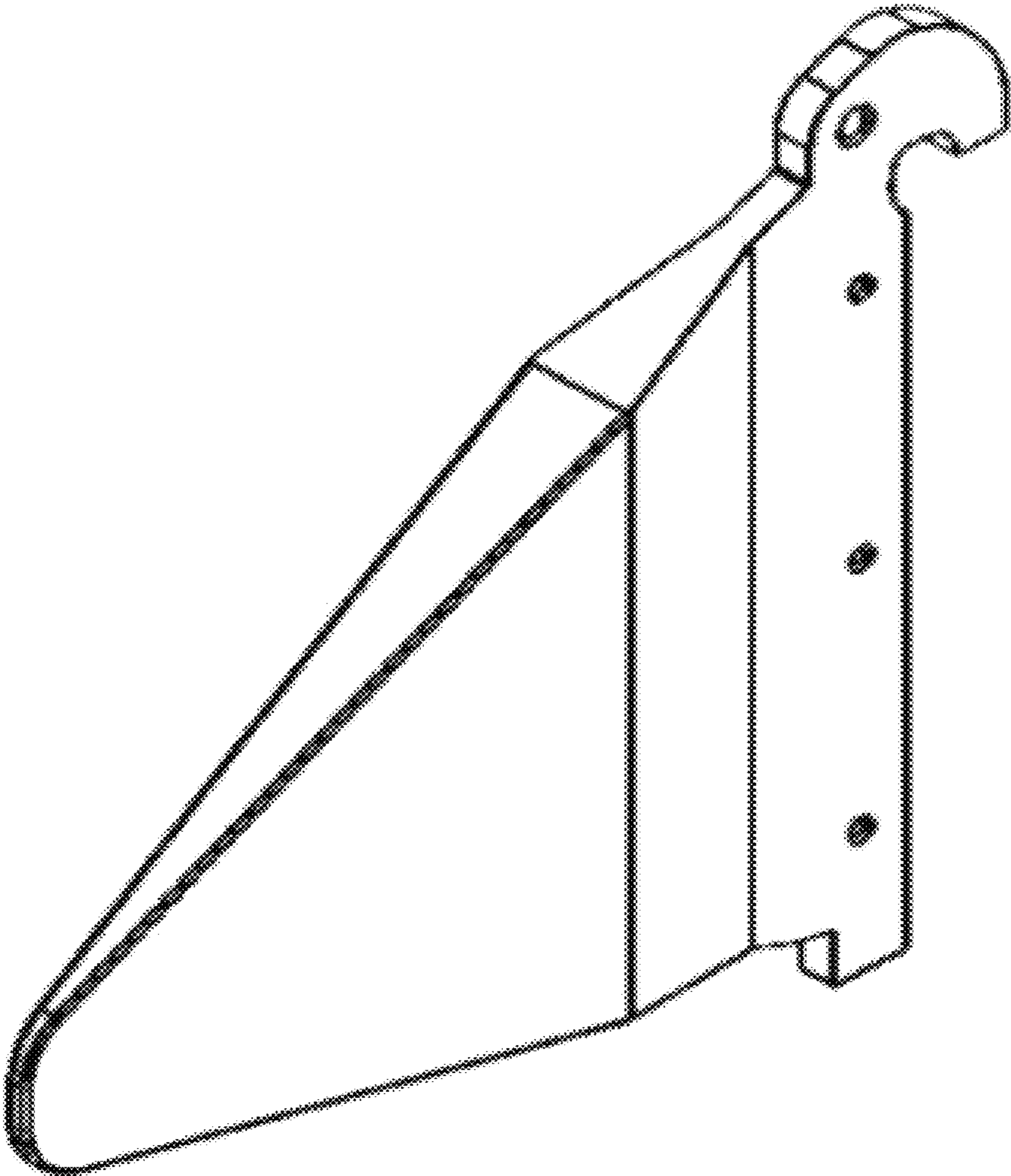
- 1.1 : Perspective
- 1.2 : Front
- 1.3 : Left
- 1.4 : Right
- 1.5 : Back
- 1.6 : Top
- 1.7 : Bottom

Novelty is claimed for the shape and configuration of the perimeter security bulwark for vessel or marine installation shown in the drawings.

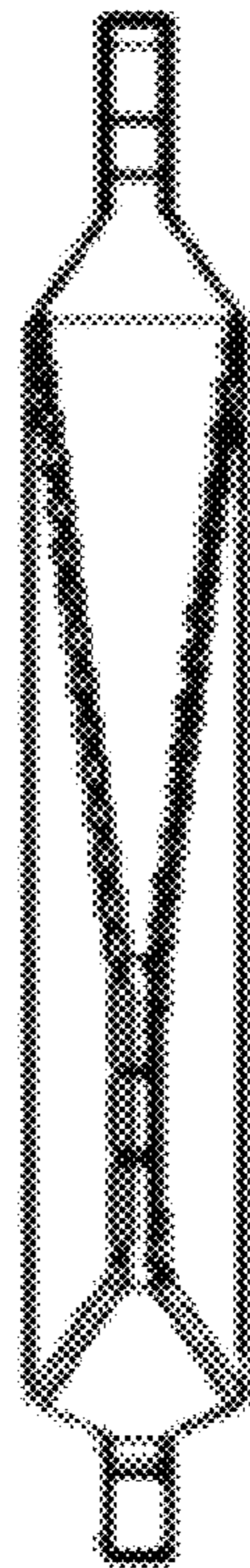
**1 Claim, 7 Drawing Sheets**



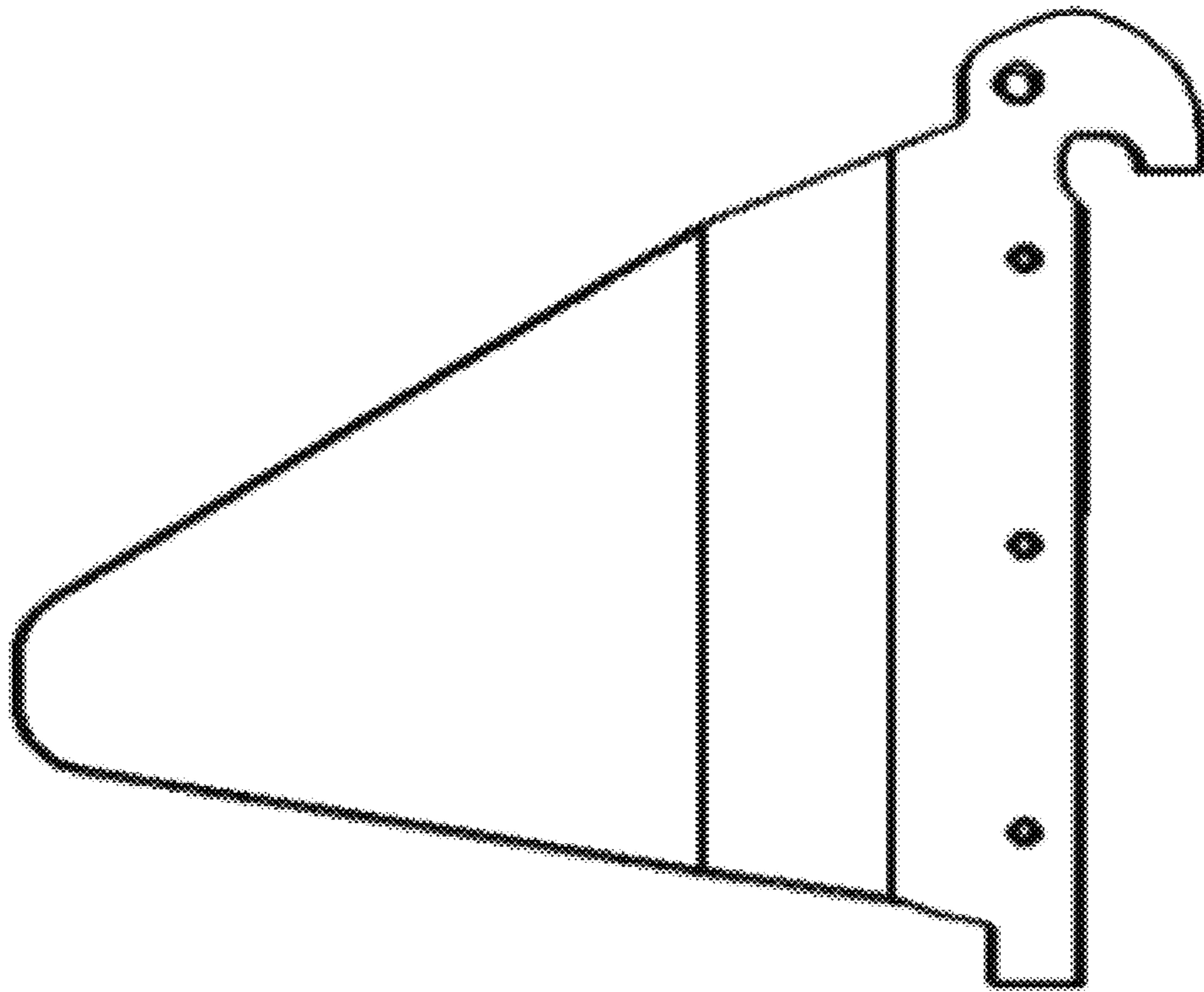
**1.1**



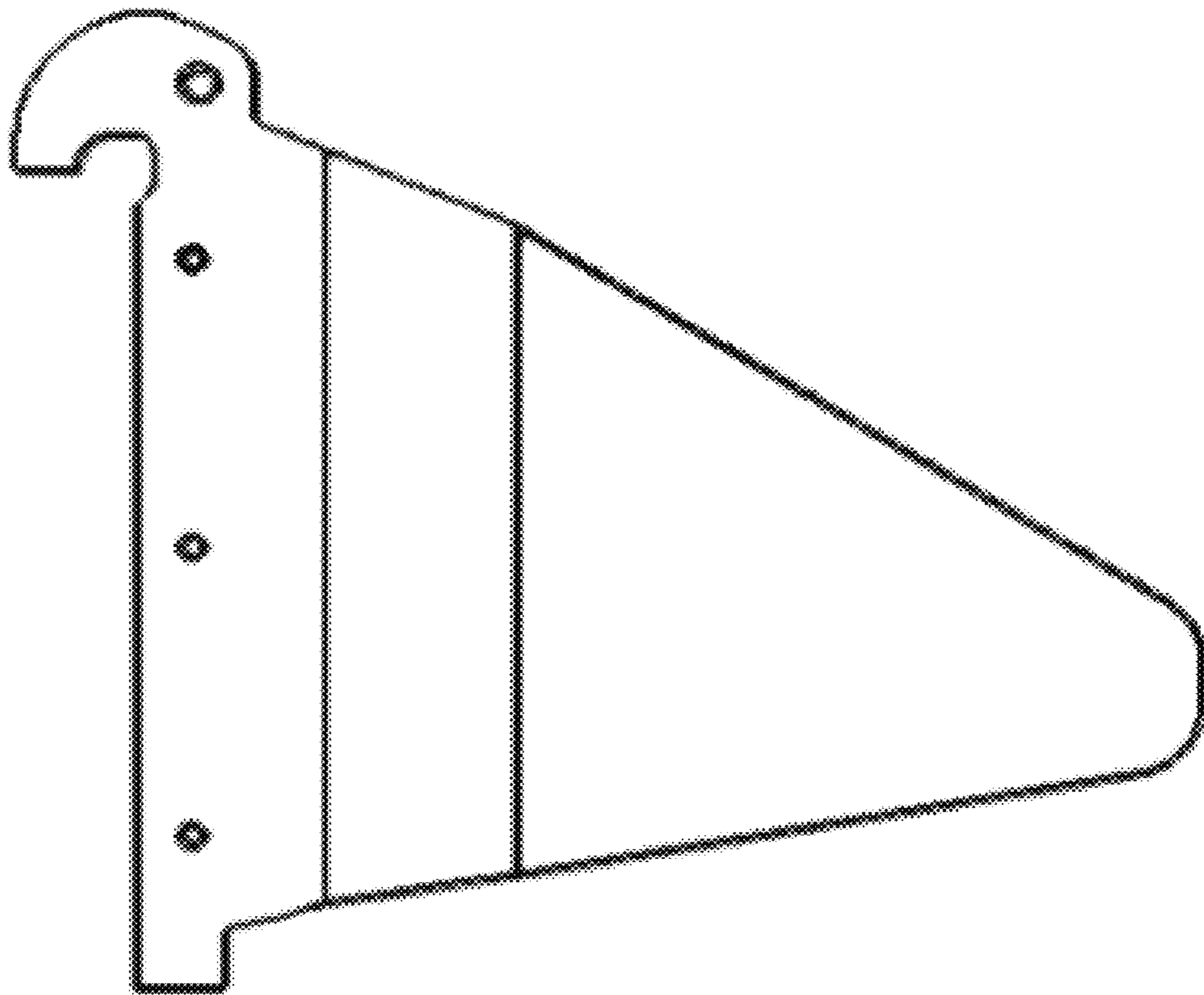
**1.2**



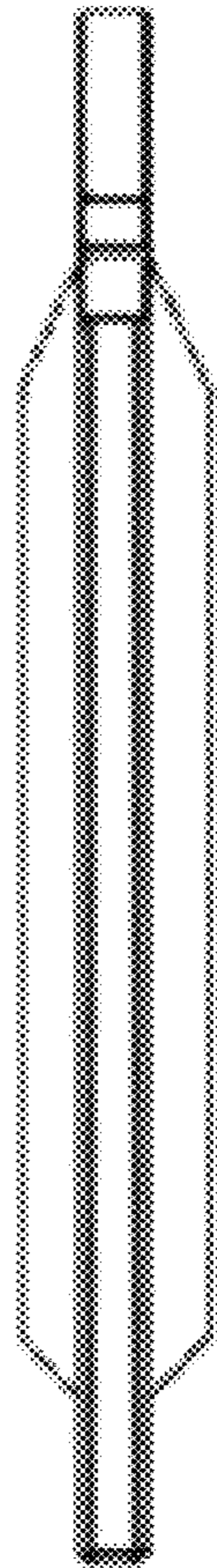
1.3



**1.4**



**1.5**





**1.6**



**1.7**

