



US00D828802S

(12) **United States Design Patent**
McMath

(10) **Patent No.:** **US D828,802 S**

(45) **Date of Patent:** **** Sep. 18, 2018**

(54) **WHEEL**

(71) Applicant: **Robert Roy McMath**, Riverside, CA
(US)

(72) Inventor: **Robert Roy McMath**, Riverside, CA
(US)

(**) Term: **15 Years**

(21) Appl. No.: **29/601,184**

(22) Filed: **Apr. 19, 2017**

(51) **LOC (11) Cl.** **12-16**

(52) **U.S. Cl.**
USPC **D12/211**

(58) **Field of Classification Search**
USPC D12/400, 204–213, 217, 501; D9/452,
D9/538, 541, 546, 559, 669; D7/506,
D7/539, 540, 556, 563, 567, 615, 675,
D7/677; D21/763, 771, 779, 495, 561,
D21/563

CPC B60B 7/00; B60B 7/02; B60B 7/04; B60B
7/01; B60B 7/06; B60B 3/02; B60B 3/04;
B60B 3/06; B60B 3/10; B60B 1/00;
B60B 1/08; B60B 1/10; B60B 1/12

See application file for complete search history.

(56) **References Cited**

U.S. PATENT DOCUMENTS

D85,591 S *	11/1931	Munson	D12/205
D339,561 S *	9/1993	Maiworm	D12/211
D429,206 S *	8/2000	Ito	D12/211
D450,649 S *	11/2001	Penzes	D12/211
D456,332 S *	4/2002	Vian	D12/211
D494,525 S *	8/2004	Borkert	D12/211
D504,101 S *	4/2005	Pfeiffer	D12/211
D520,435 S *	5/2006	Kulla	D12/211
D522,950 S *	6/2006	Pfeiffer	D12/211
D531,951 S *	11/2006	Khan	D12/211

D534,473 S *	1/2007	Bernoni	D12/211
D543,922 S *	6/2007	Young	D12/209
D548,167 S *	8/2007	Groom	D12/211
D555,065 S *	11/2007	Hernandez	D12/211
D582,830 S *	12/2008	Musser	D12/211
D584,210 S *	1/2009	Baum	D12/211
D590,320 S *	4/2009	Scheu	D12/211
D593,474 S *	6/2009	Flueckiger	D12/209
D596,548 S *	7/2009	Gallert	D12/211
D599,268 S *	9/2009	Bernoni	D12/211
D610,516 S *	2/2010	Dilber	D12/211
D613,230 S *	4/2010	Antoniadis	D12/211
D623,111 S *	9/2010	Spoerle	D12/211
D629,733 S *	12/2010	Tirado	D12/211
D632,239 S *	2/2011	Gallert	D12/211
D638,766 S *	5/2011	Hilpert	D12/211
D655,663 S *	3/2012	Zhao	D12/211
D658,105 S *	4/2012	Hans	D12/211
D660,220 S *	5/2012	Chan	D12/211
D681,534 S *	5/2013	Zhao	D12/211
D701,813 S *	4/2014	Kern	D12/211
D708,562 S *	7/2014	Kern	D12/211

(Continued)

Primary Examiner — Susan Bennett Hattan

Assistant Examiner — Marie D. Fast Horse

(74) *Attorney, Agent, or Firm* — Curtis L. Harrington;
Harrington & Harrington

(57) **CLAIM**

The ornamental design for a wheel, as shown and described.

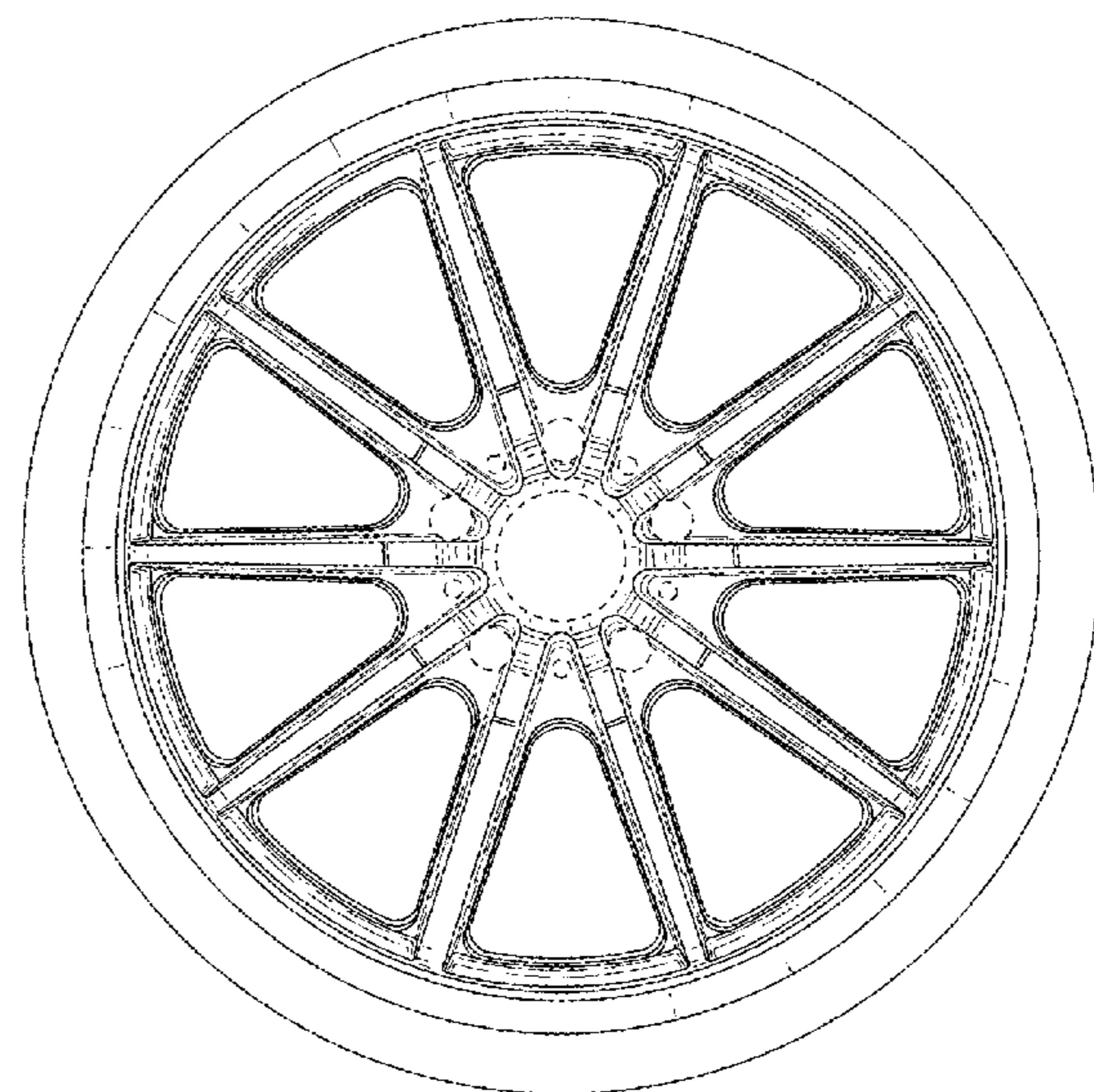
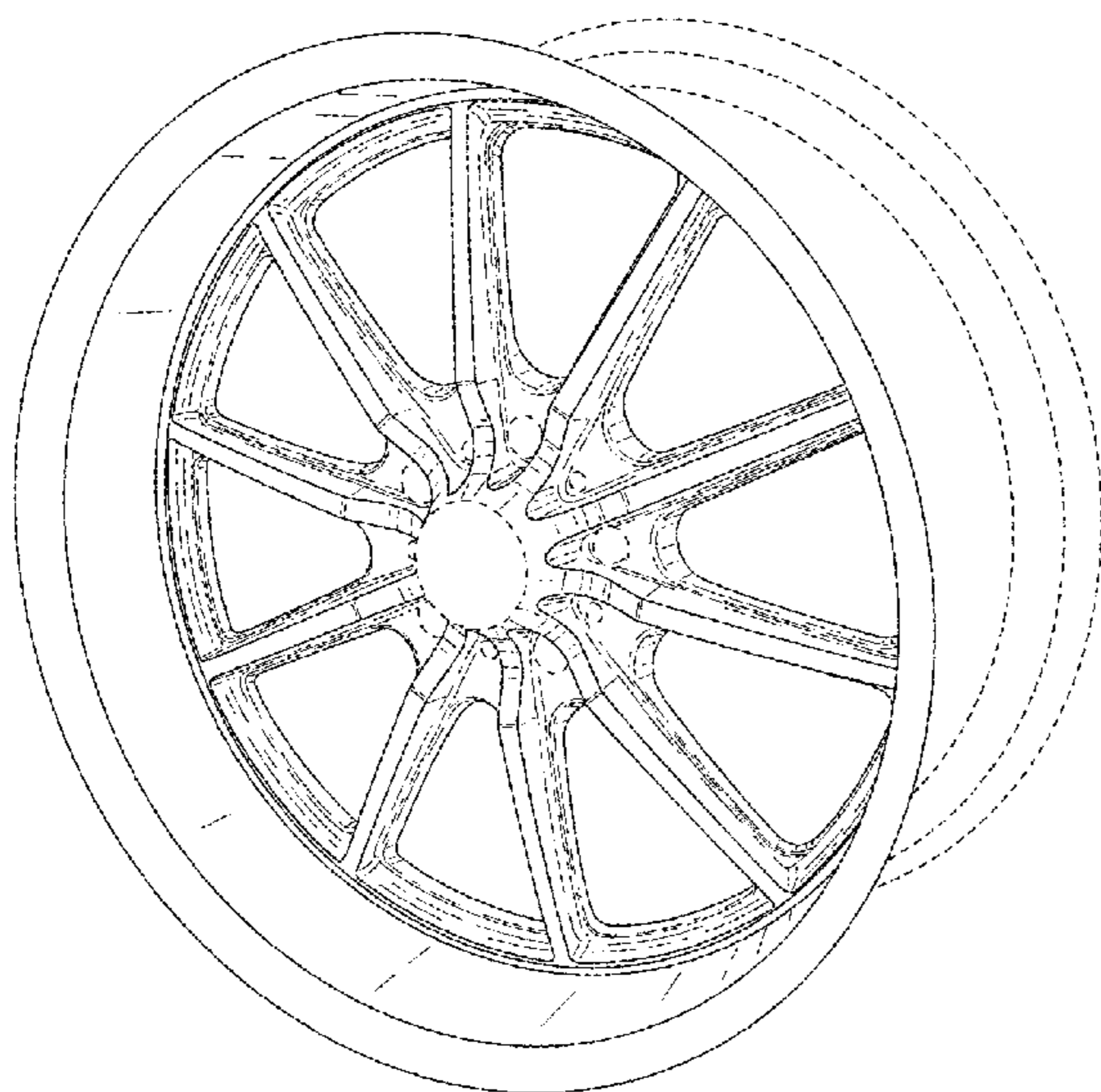
DESCRIPTION

FIG. 1 is a front perspective view of the wheel; and,
FIG. 2 is a front view thereof.

The broken line showing the rear of the rim is included for
the purpose of illustrating environment and forms no part of
the claimed design.

The broken line circles on the face of the wheel depict
portions of the wheel that form no part of the claimed design.

1 Claim, 1 Drawing Sheet



(56)

References Cited

U.S. PATENT DOCUMENTS

D715,721 S *	10/2014	Chung	D12/211	D780,662 S *	3/2017	Zhao	D12/211
D719,496 S *	12/2014	Johnson	D12/209	D781,206 S *	3/2017	Giolito	D12/211
D724,515 S *	3/2015	Chung	D12/209	D782,954 S *	4/2017	Liffick	D12/211
D726,089 S *	4/2015	Hodges	D12/211	D788,008 S *	5/2017	Zhao	D12/211
D726,617 S *	4/2015	Dingle	D12/209	D788,009 S *	5/2017	Zhao	D12/211
D726,618 S *	4/2015	Dingle	D12/209	D793,939 S *	8/2017	Hans	D12/211
D744,931 S *	12/2015	Curic	D12/211	D797,636 S *	9/2017	Chung	D12/211
D748,558 S *	2/2016	Hans	D12/211	D800,626 S *	10/2017	Sempek	D12/209
D751,017 S *	3/2016	Chung	D12/209	D803,752 S *	11/2017	Sempek	D12/211
D751,481 S *	3/2016	Chung	D12/209	D805,993 S *	12/2017	Sempek	D12/211
D751,966 S *	3/2016	Zhao	D12/211	9,840,110 B2 *	12/2017	Dingle	B60B 3/02
D755,690 S *	5/2016	von Tardy-Tuch	D12/209	D806,630 S *	1/2018	McMath	D12/211
D763,766 S *	8/2016	Alfonso	D12/211	D808,884 S *	1/2018	Chung	D12/211
D766,155 S *	9/2016	Wheel	D12/211	D813,137 S *	3/2018	Sempek	D12/209
D768,045 S *	10/2016	Curic	D12/209	2014/0103701 A1 *	4/2014	Chung	B60B 1/06 301/108.1
D768,047 S *	10/2016	Hans	D12/211	2016/0001591 A1 *	1/2016	Inatani	B60B 1/06 301/64.101
D775,051 S *	12/2016	Alfonso	D12/211	2016/0052335 A1 *	2/2016	Dingle	B60B 3/02 403/345
D776,040 S *	1/2017	Zhao	D12/211					

* cited by examiner

Fig. 1

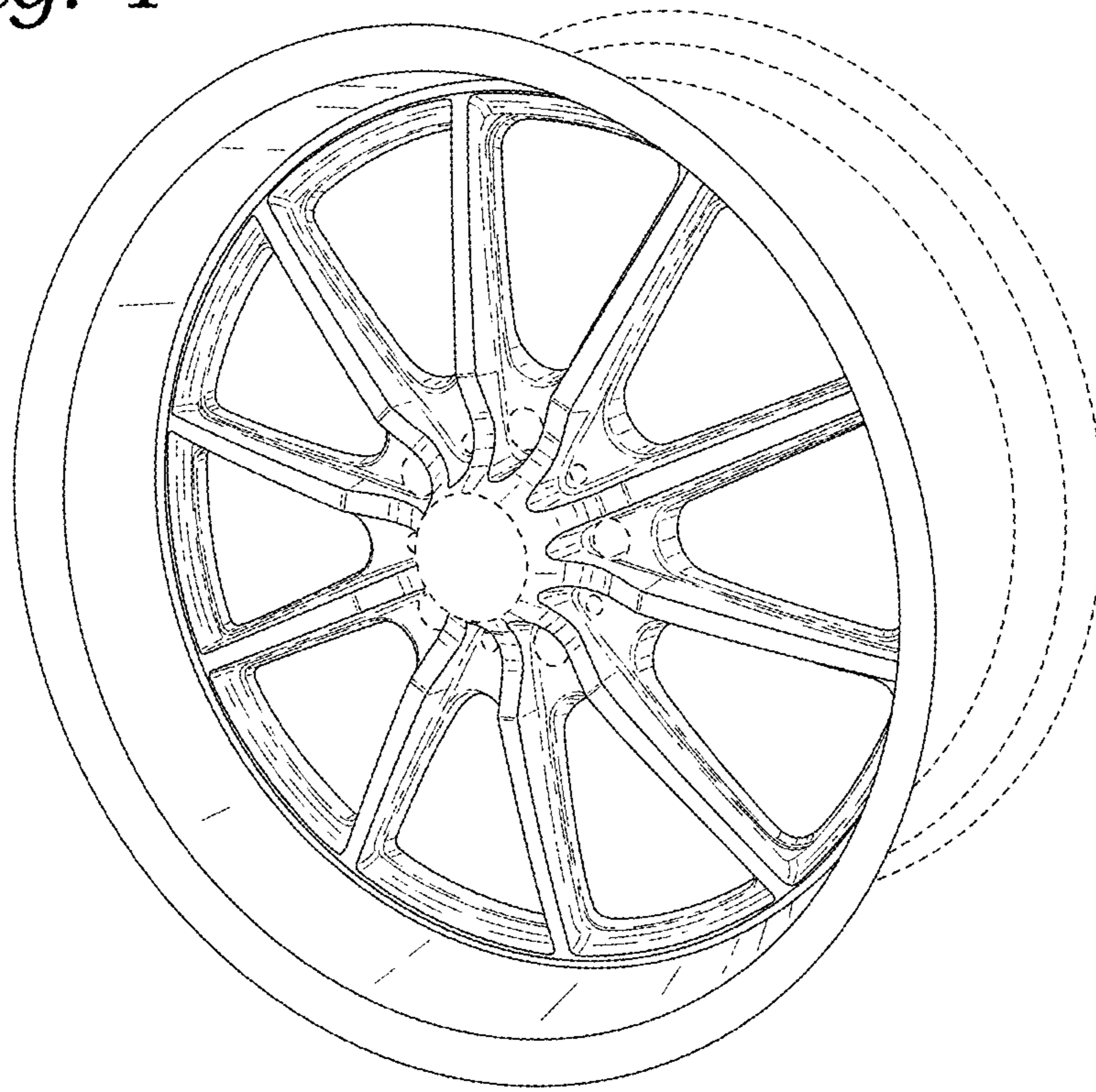


Fig. 2

