



US00D828799S

(12) **United States Design Patent** (10) **Patent No.:** **US D828,799 S**
Zschocke (45) **Date of Patent:** **** Sep. 18, 2018**

- (54) **WHEEL FOR MOTOR VEHICLE**
- (71) Applicant: **Dr. Ing. h.c. F. Porsche Aktiengesellschaft, Stuttgart (DE)**
- (72) Inventor: **Swen Zschocke, Wiernsheim-Serres (DE)**
- (73) Assignee: **Dr. Ing. h.c. F. Porsche Aktiengesellschaft, Stuttgart (DE)**
- (**) Term: **15 Years**
- (21) Appl. No.: **29/558,734**
- (22) Filed: **Mar. 21, 2016**

D539,204 S	3/2007	Pollmann	
D539,724 S	4/2007	Muzzarelli	
D606,921 S	12/2009	Thorsten	
D620,862 S	8/2010	Pollmann	
D634,688 S	3/2011	Saracoglu	
D645,390 S	9/2011	DeBono	
D649,103 S	11/2011	Gallert	
D673,096 S	12/2012	Platto	
D675,143 S	1/2013	Gebert	
D684,517 S	6/2013	Scheinhutte	
D697,860 S	1/2014	Borkert	
D705,151 S	5/2014	Scheinhutte	
D710,780 S	8/2014	Borkert	
D715,720 S	10/2014	Ender	
D721,028 S	1/2015	Lemke	
D732,449 S *	6/2015	Grake	D12/209
D738,282 S	9/2015	Gallert	
D792,303 S *	7/2017	Chung	D12/209

(Continued)

Related U.S. Application Data

- (63) Continuation-in-part of application No. 29/445,649, filed on Feb. 14, 2013, now abandoned.

(30) **Foreign Application Priority Data**

Aug. 17, 2012 (DE) 40 2012 100 664

- (51) **LOC (11) Cl.** **12-16**

- (52) **U.S. Cl.**
USPC **D12/209**

- (58) **Field of Classification Search**

USPC D12/204-213
 CPC B60B 7/00; B60B 7/02; B60B 7/04; B60B 7/01; B60B 7/06; B60B 3/02; B60B 3/04; B60B 3/06; B60B 3/10; B60B 1/00; B60B 1/08; B60B 1/10; B60B 1/12
 See application file for complete search history.

(56) **References Cited**

U.S. PATENT DOCUMENTS

D417,646 S	12/1999	Baumgartner
D427,558 S	7/2000	Neeper
D457,478 S	5/2002	Minamisawa

OTHER PUBLICATIONS

Final Office Action dated Nov. 19, 2015 for U.S. Appl. No. 29/445,649

(Continued)

Primary Examiner — Stacia A Cadmus

(74) *Attorney, Agent, or Firm* — RatnerPrestia

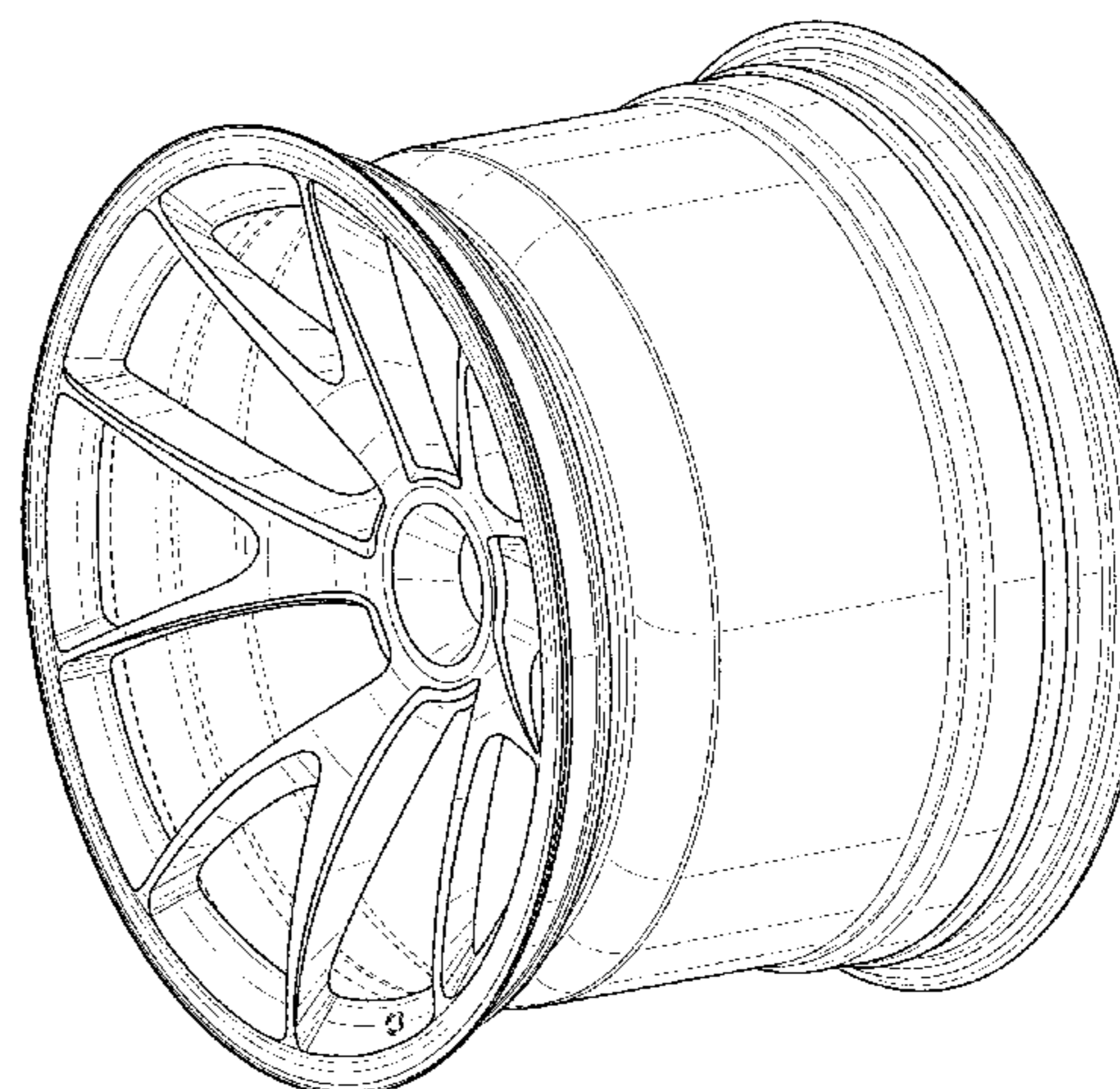
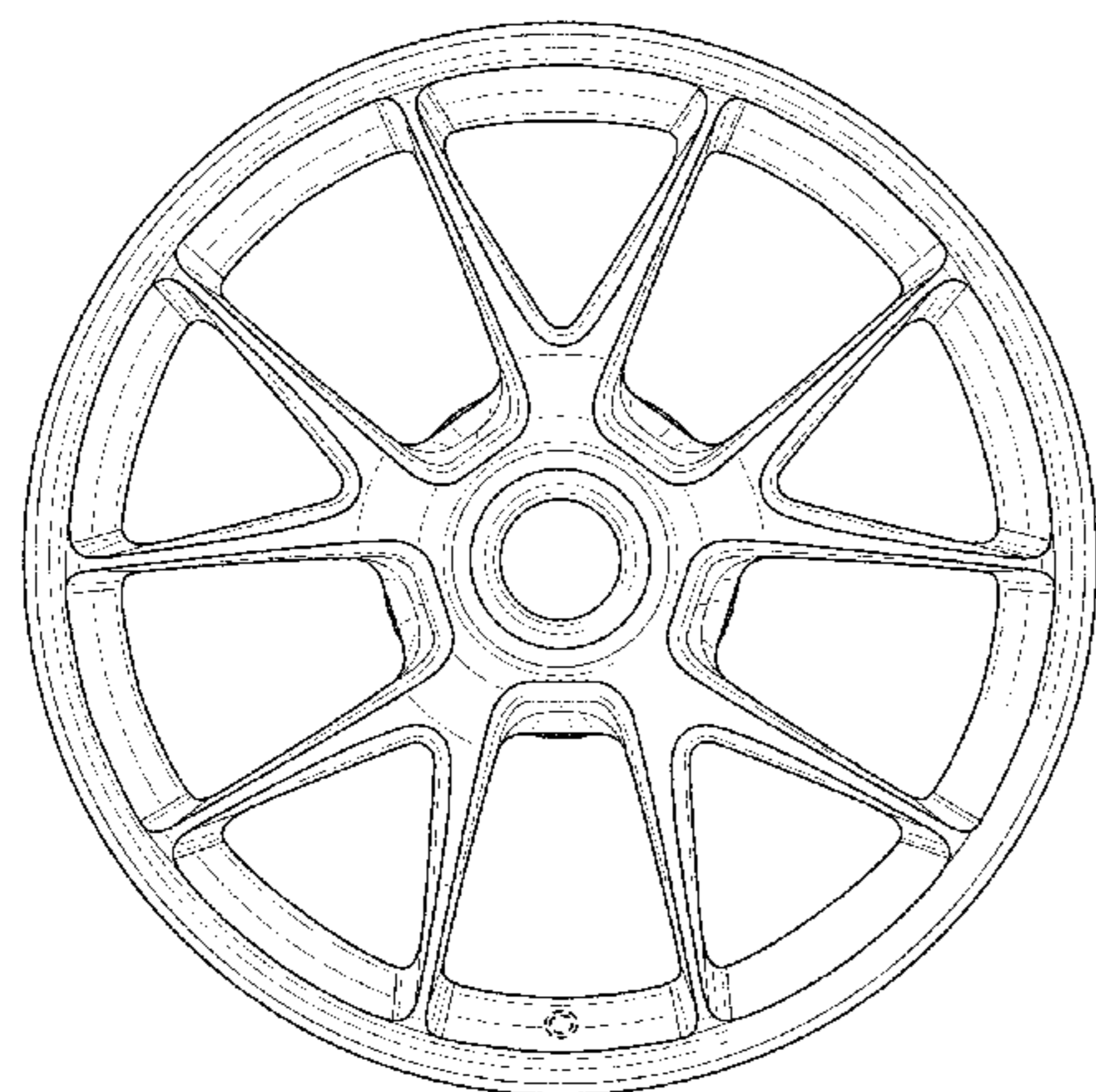
(57) **CLAIM**

The ornamental design for a wheel for a motor vehicle, as shown and described.

DESCRIPTION

FIG. 1 is a front elevation view of a wheel for a motor vehicle;
 FIG. 2 is a side elevation view thereof;
 FIG. 3 is top plan view thereof; and,
 FIG. 4 is a front perspective view thereof.
 The broken lines in the drawings are for illustrative purposes only, and form no part of the claimed design.

1 Claim, 4 Drawing Sheets



(56)

References Cited

U.S. PATENT DOCUMENTS

D794,526 S * 8/2017 Patel D12/209
D820,184 S * 6/2018 Bucher D12/209

OTHER PUBLICATIONS

Non Final Office Action dated Nov. 19, 2015 for U.S. Appl. No.
29/445,649.

* cited by examiner

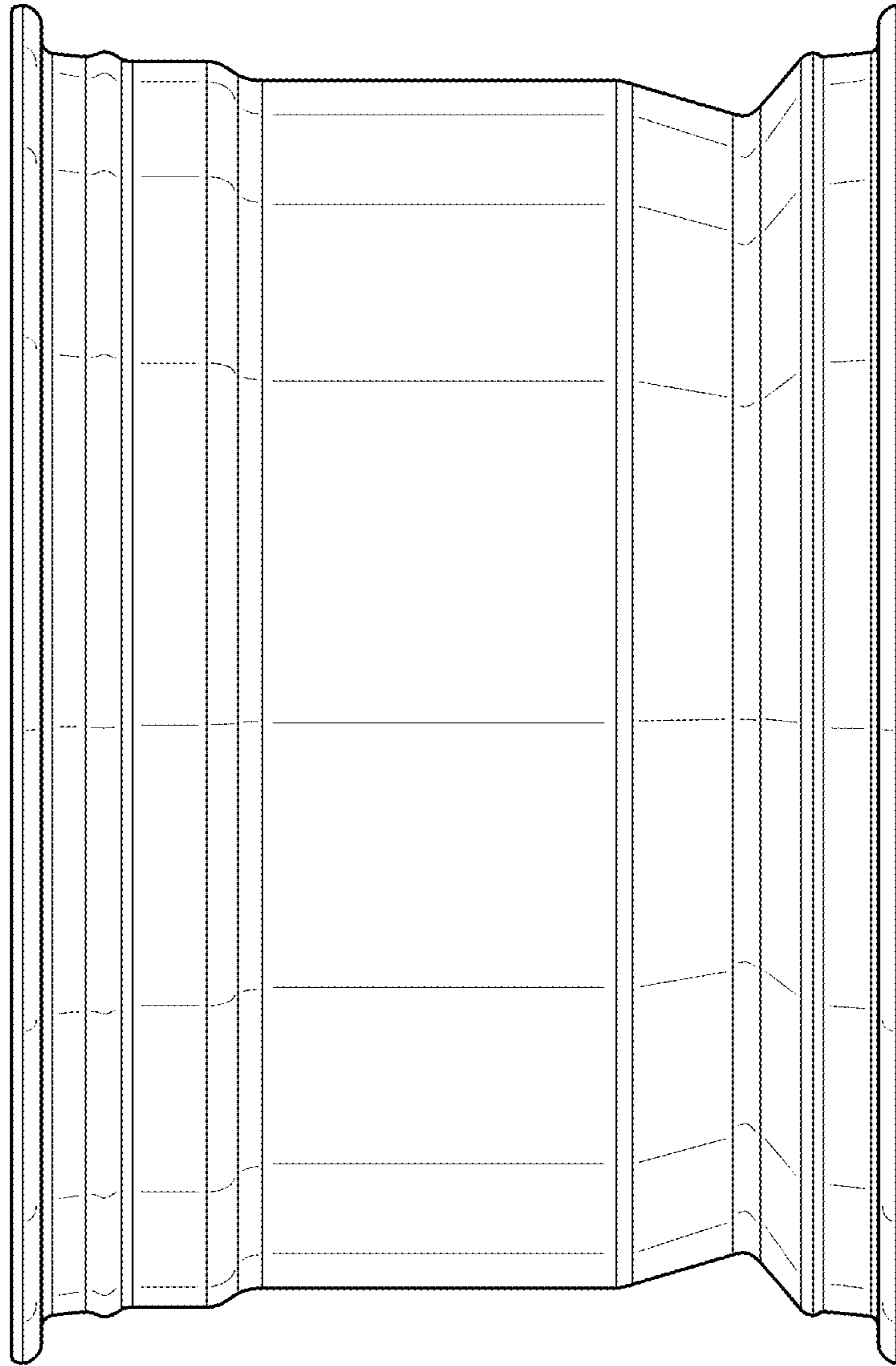


FIG. 1

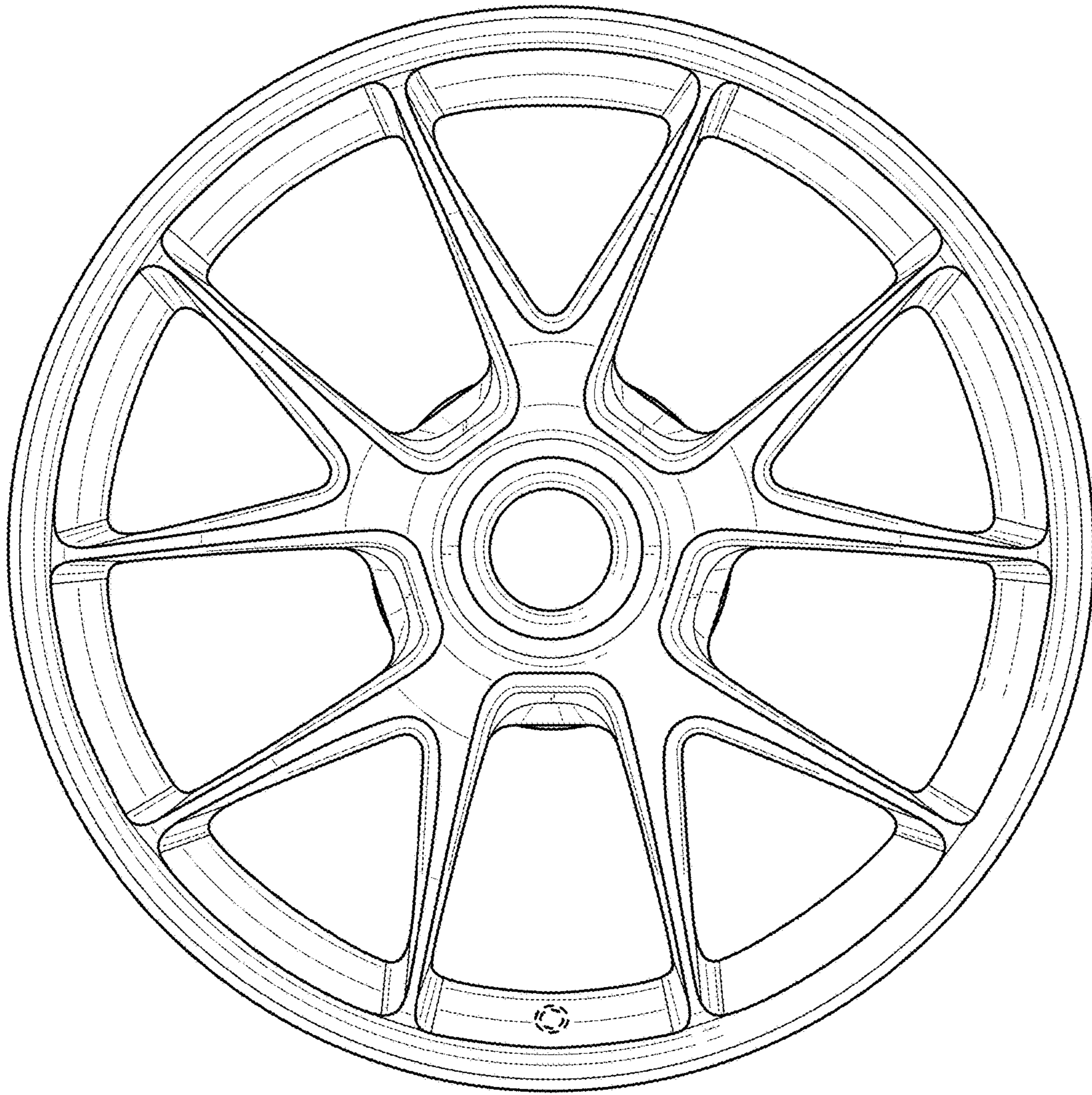


FIG. 2

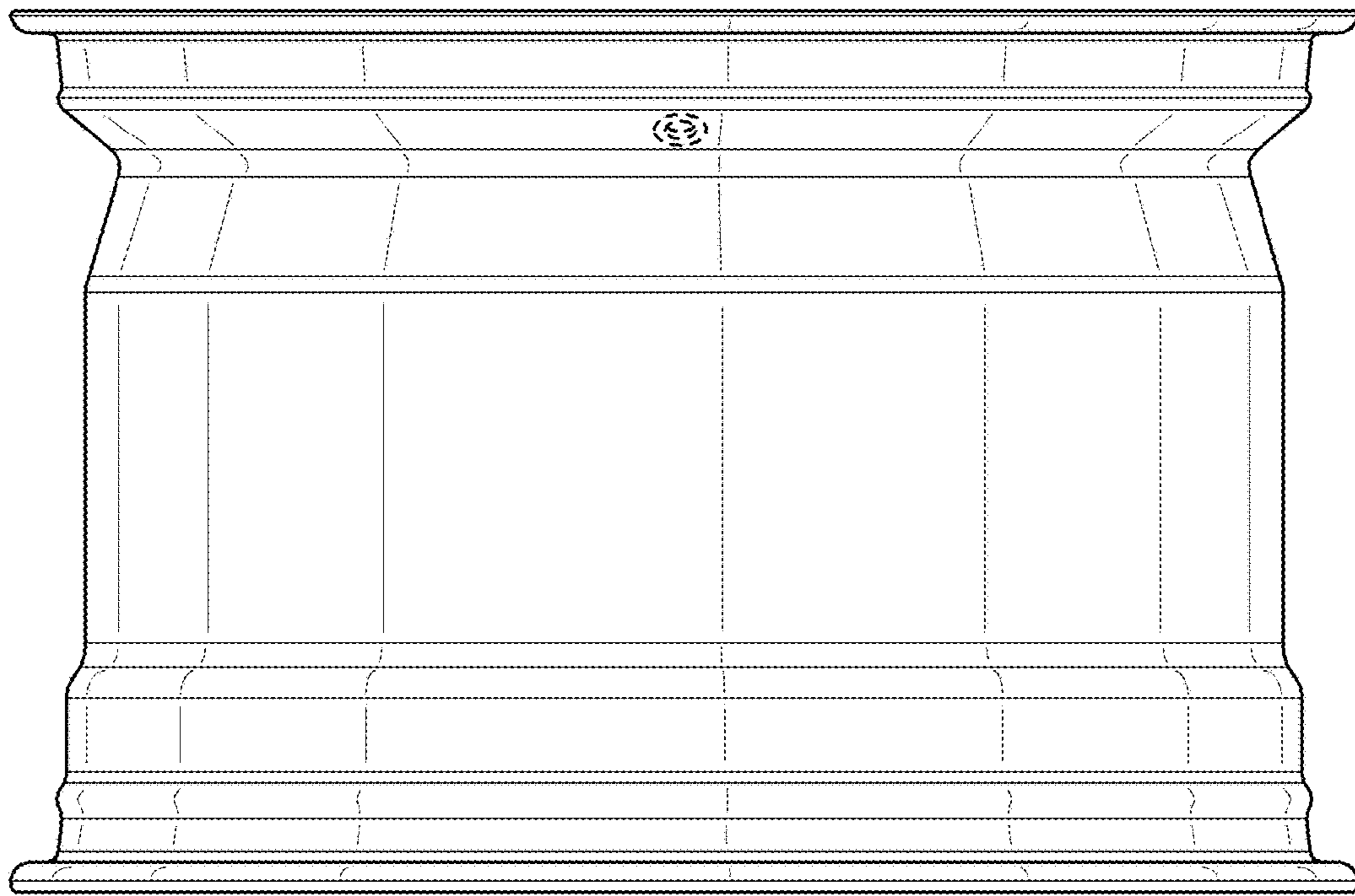


FIG. 3

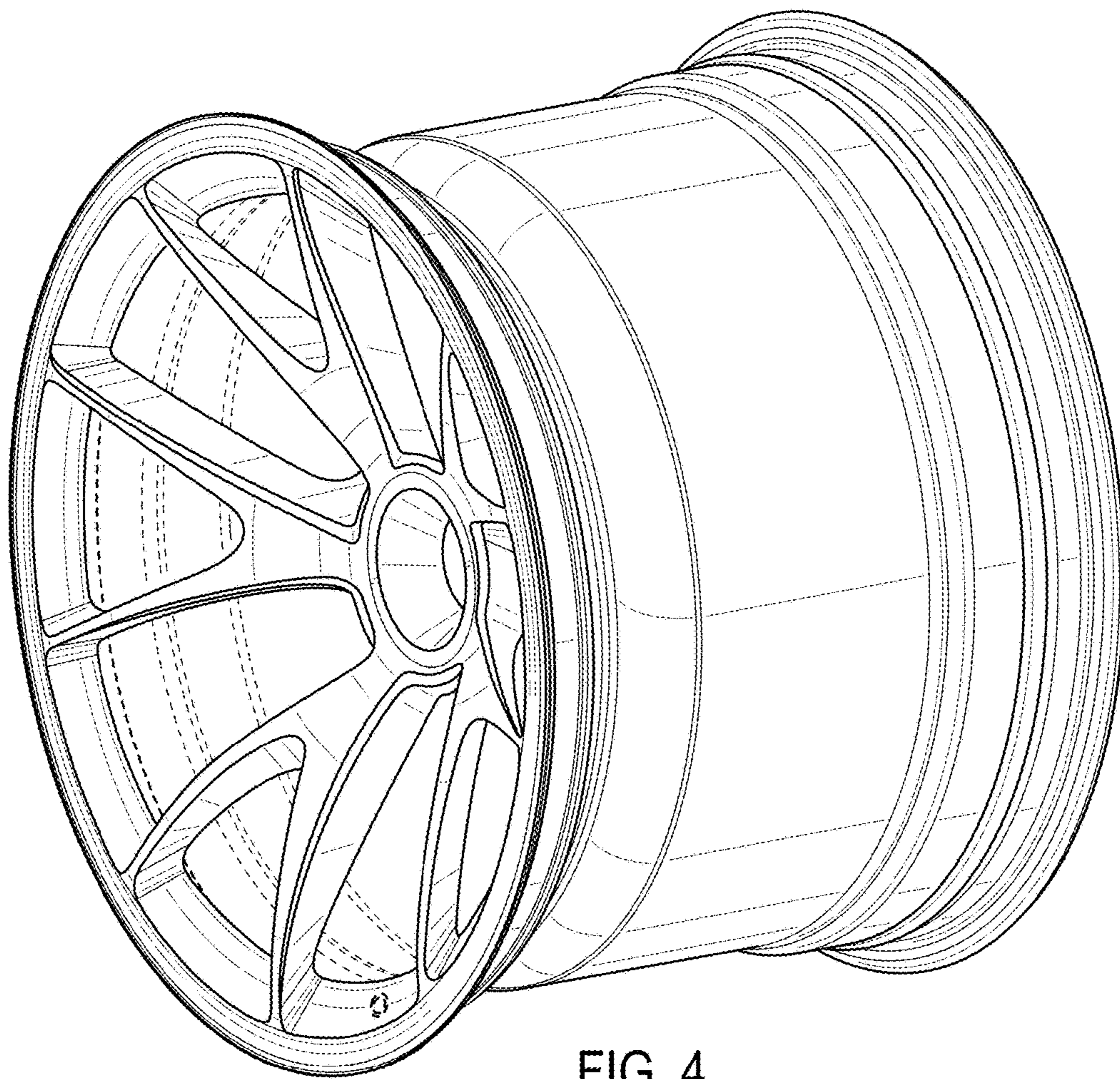


FIG. 4