



US00D828792S

(12) **United States Design Patent** (10) **Patent No.:** **US D828,792 S**  
**Scott** (45) **Date of Patent:** **\*\* Sep. 18, 2018**

(54) **PAIR OF VEHICLE DOOR SILL SCRATCH GUARDS**

(71) Applicant: **L.O.F., Inc.**, Elkhart, IN (US)

(72) Inventor: **Shawn C. Scott**, Greenwood, IN (US)

(73) Assignee: **L.O.F., Inc.**, Elkhart, IN (US)

(\*\*) Term: **15 Years**

(21) Appl. No.: **29/596,964**

(22) Filed: **Mar. 13, 2017**

(51) **LOC (11) Cl.** ..... **12-16**

(52) **U.S. Cl.**  
USPC ..... **D12/167; D12/193; D12/401**

(58) **Field of Classification Search**  
USPC ..... D12/86, 90, 91, 92, 110, 114, 163, 169,  
D12/171, 190, 400; D11/11, 81, 133,  
D11/157, 172, 211; D20/23, 24, 25, 30,  
D20/31, 32  
CPC ... G09F 7/00; G09F 7/02; G06K 9/325; B60P  
3/36; B60R 13/04; B60R 13/10; B60R  
13/105; B60R 19/44; B60Q 1/56; B60Q  
1/323

See application file for complete search history.

(56) **References Cited**

**U.S. PATENT DOCUMENTS**

4,456,275	A *	6/1984	Snyder	.....	B60R 3/002 182/92
D279,468	S *	7/1985	Marrinan	.....	D12/190
4,796,935	A *	1/1989	Maraia	.....	B60R 13/04 280/770
D318,642	S *	7/1991	Gaither	.....	D12/167
5,267,763	A *	12/1993	Klein	.....	B60R 13/04 248/206.5
D399,465	S *	10/1998	Saleen	.....	D12/190
D413,561	S *	9/1999	Kulla	.....	D12/167
D418,468	S *	1/2000	Saleen	.....	D12/190

(Continued)

**OTHER PUBLICATIONS**

Commonly assigned co-pending U.S. Appl. No. 29/596,966, filed Mar. 13, 2017, entitled Vehicle Door Sill Scratch Guard Appliques.  
(Continued)

*Primary Examiner* — Darlington Ly

(74) *Attorney, Agent, or Firm* — Gardner, Linn, Burkhardt & Ondersma, LLP

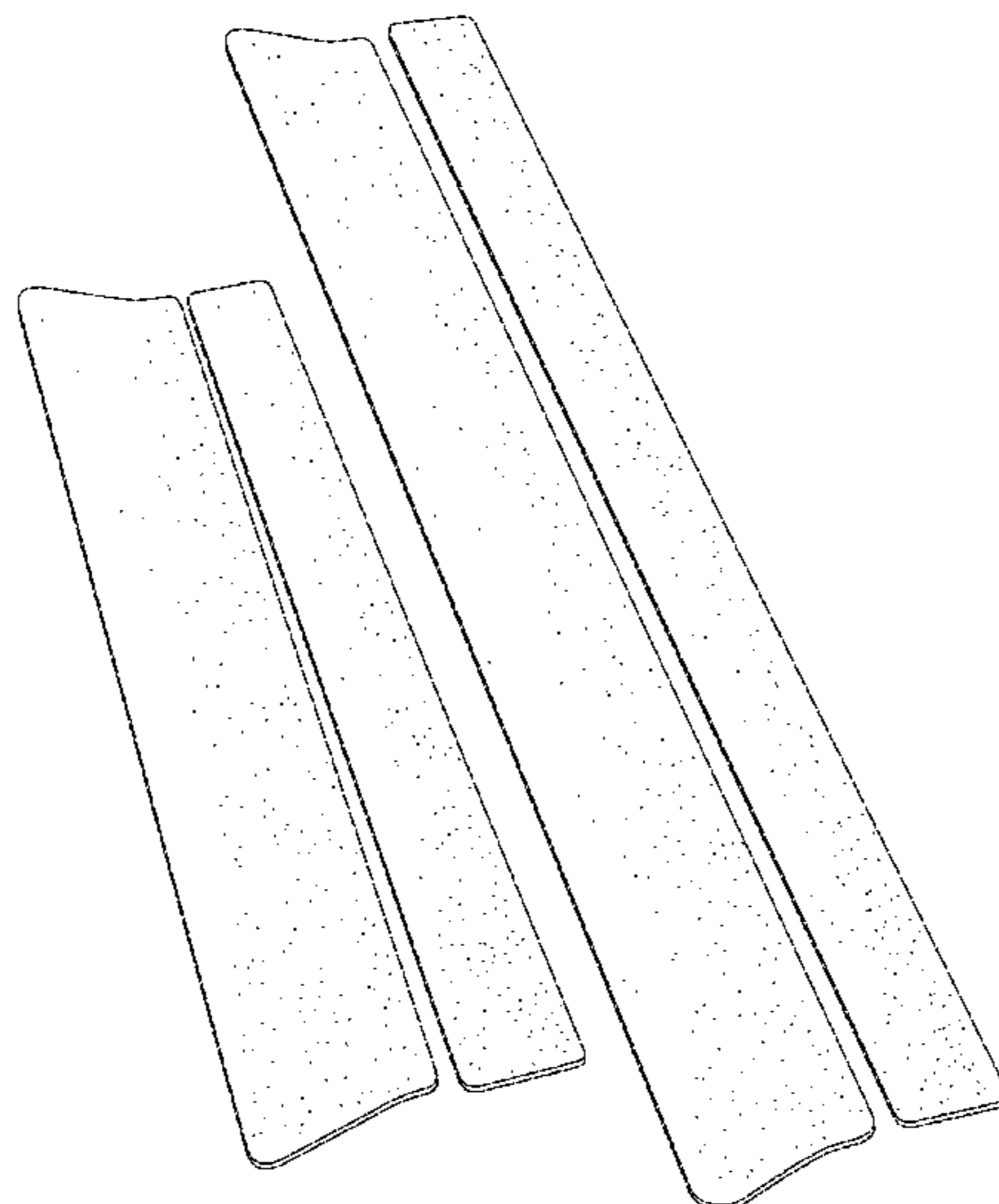
(57) **CLAIM**

The ornamental design for a pair of vehicle door sill scratch guards, as shown and described.

**DESCRIPTION**

FIG. 1 is a perspective view of a pair of door sill scratch guards showing a first embodiment of my design in an environment of use affixed to the front and rear driver side door sills of an exemplary motor vehicle; FIG. 2 is a top perspective view thereof; FIG. 3 is a top plan view thereof; FIG. 4 is a bottom plan view thereof; FIG. 5 is a side elevation view thereof; FIG. 6 is an end elevation view thereof; FIG. 7 is a perspective view of a pair of door sill scratch guards showing a second embodiment of my design in an environment of use affixed to the front and rear passenger side door sills of an exemplary motor vehicle; FIG. 8 is a top perspective view thereof; FIG. 9 is a top plan view thereof; FIG. 10 is a bottom plan view thereof; FIG. 11 is a side elevation view thereof; and, FIG. 12 is an end elevation view thereof. The broken lines showing portions of a motor vehicle are provided for the purpose of illustrating environmental structure and form no part of the claimed design.

**1 Claim, 12 Drawing Sheets**



(56)

References Cited

U.S. PATENT DOCUMENTS

D464,596	S *	10/2002	Yokomaku	.....	D12/190
D468,671	S *	1/2003	Tampi	.....	D12/190
D539,200	S *	3/2007	Chan	.....	D12/190
D599,264	S *	9/2009	Akasawa	.....	D12/181
D600,184	S *	9/2009	Baum	.....	D12/190
D606,472	S *	12/2009	Penders	.....	D12/190
D607,391	S *	1/2010	Krauss	.....	D12/190
D608,261	S *	1/2010	Furuhata	.....	D12/190
D623,104	S *	9/2010	Akasawa	.....	D12/190
D630,143	S *	1/2011	Stahel	.....	D12/195
D636,312	S *	4/2011	Matei	.....	D12/190
D637,127	S *	5/2011	Faghihzadeh	.....	D12/190
D647,018	S *	10/2011	Furst	.....	D12/190
D647,833	S *	11/2011	Matei	.....	D12/190
8,641,135	B2 *	2/2014	Palmer	.....	B60R 13/04 296/209
D709,419	S *	7/2014	Watkins	.....	D12/190
D748,549	S *	2/2016	Battams	.....	D12/190
D761,175	S *	7/2016	Stoynov	.....	D12/190
9,493,190	B1 *	11/2016	Alwan	.....	B62D 21/157
D788,665	S *	6/2017	Buck	.....	D12/190
D791,032	S *	7/2017	Henstridge	.....	D12/196
D807,247	S *	1/2018	Malina	.....	D12/167
9,862,309	B2 *	1/2018	Oliverio	.....	F21S 43/15
D811,301	S *	2/2018	Peat	.....	D12/190
2012/0169024	A1 *	7/2012	Verhee	.....	B60R 3/02 280/166

OTHER PUBLICATIONS

Commonly assigned co-pending U.S. Appl. No. 29/596,967, filed Mar. 13, 2017, entitled Vehicle Door Sill Scratch Guard Appliques.  
 Commonly assigned co-pending U.S. Appl. No. 29/596,968, filed Mar. 13, 2017, entitled Vehicle Door Sill Scratch Guard Appliques.  
 Commonly assigned co-pending U.S. Appl. No. 29/596,969, filed Mar. 13, 2017, entitled Vehicle Door Sill Scratch Guard Appliques.  
 Commonly assigned co-pending U.S. Appl. No. 29/596,971, filed Mar. 13, 2017, entitled Vehicle Door Sill Scratch Guard Appliques.

Web pages from Amazon (www.amazon.com) showing Red Hound Auto Scratch Guards Part No. RED170001, published and available since Dec. 30, 2015.

Web pages from Amazon (www.amazon.com) showing Red Hound Auto Scratch Guards Part No. RED170007, published and available since Feb. 25, 2016.

Web pages from Amazon (www.amazon.com) showing Red Hound Auto Scratch Guards Part No. RED170016 available since Feb. 23, 2016.

Web pages from Amazon (www.amazon.com) showing Red Hound Auto Scratch Guards Part No. RED170022, published and available since Feb. 25, 2016.

Web pages from Amazon (www.amazon.com) showing Red Hound Auto Scratch Guards Part No. RED170050, published and available since Feb. 25, 2016.

Web pages from Amazon (www.amazon.com) showing Red Hound Auto Scratch Guards Part No. RED170081, published and available since Feb. 25, 2016.

Web pages from Amazon (www.amazon.com) showing Red Hound Auto Scratch Guards Part No. RED170089, published and available since Mar. 4, 2016.

Web pages from Amazon (www.amazon.com) showing Red Hound Auto Scratch Guards Part No. RED170092, published and available since Mar. 4, 2016.

Web pages from Amazon (www.amazon.com) showing Toyota Tacoma Door Sill Protectors believed to be available since Nov. 13, 2015.

Web pages from Amazon (www.amazon.com) showing Toyota Accessories Door Sill Protector believed to be available since Jun. 29, 2011.

Web pages from Ebay (www.ebay.com) showing Ford Door Sill Plate Protectors, date of first publication unknown.

Web pages from Lund International (www.lundinternational.com) showing AVS Stepshield, date of first publication unknown.

Web pages from Ebay (www.ebay.com) showing OEM Ford Explorer Rear Bumper Protector, date of first publication unknown.

Web pages from Xpel (www.xpel.com) showing Universal Door Sill Kit, date of first publication unknown.

\* cited by examiner

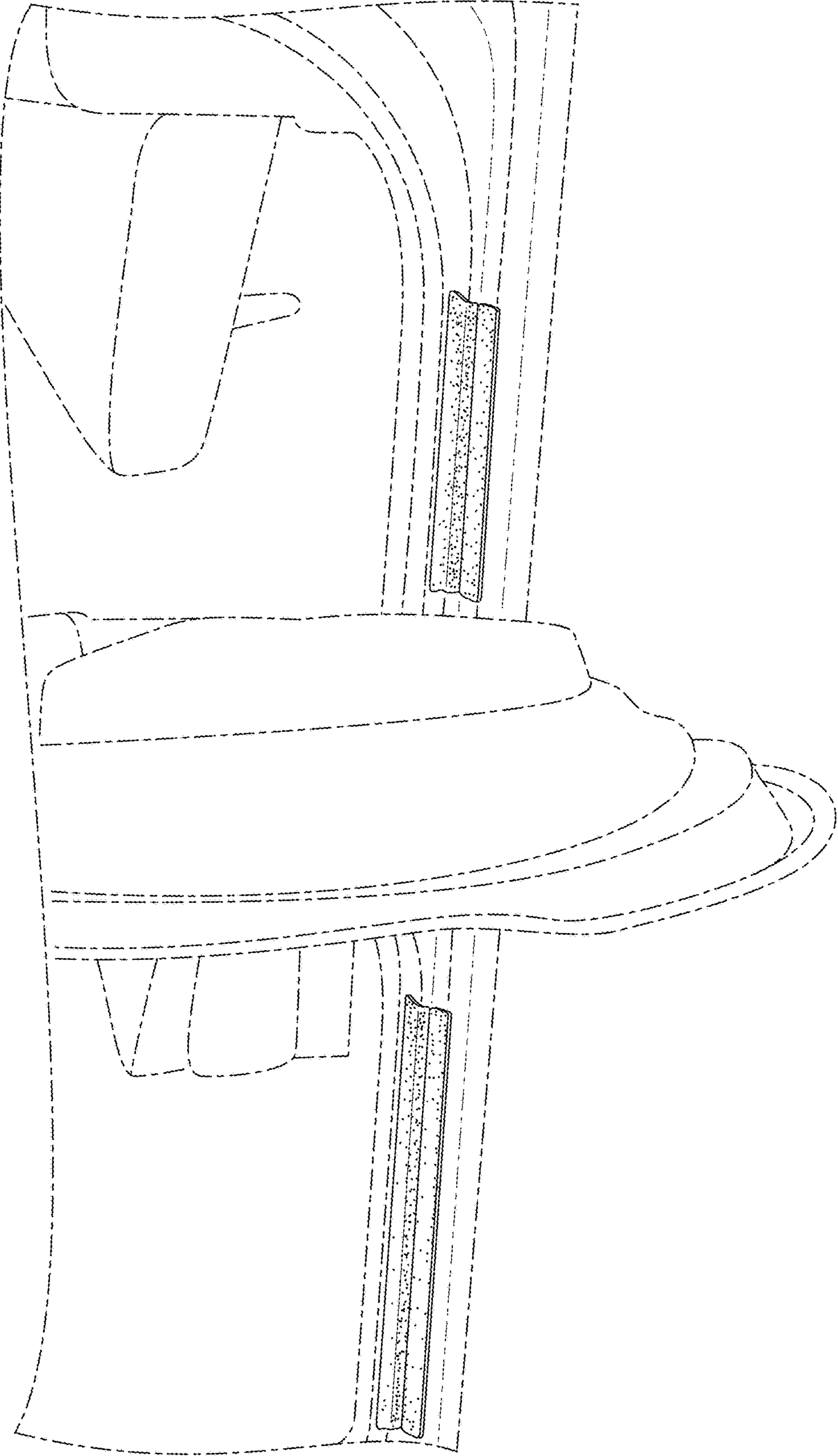


FIG. 1

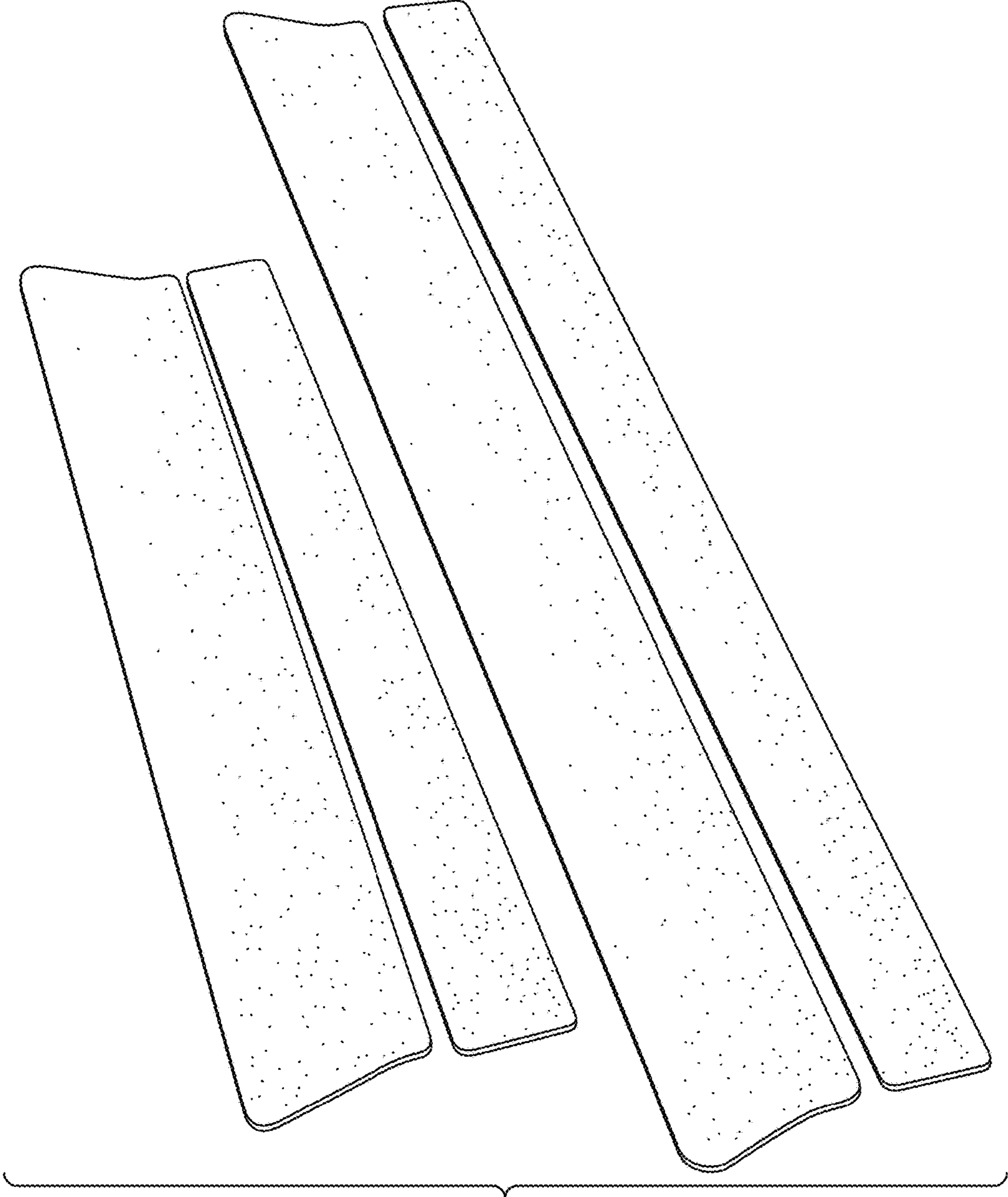


FIG. 2

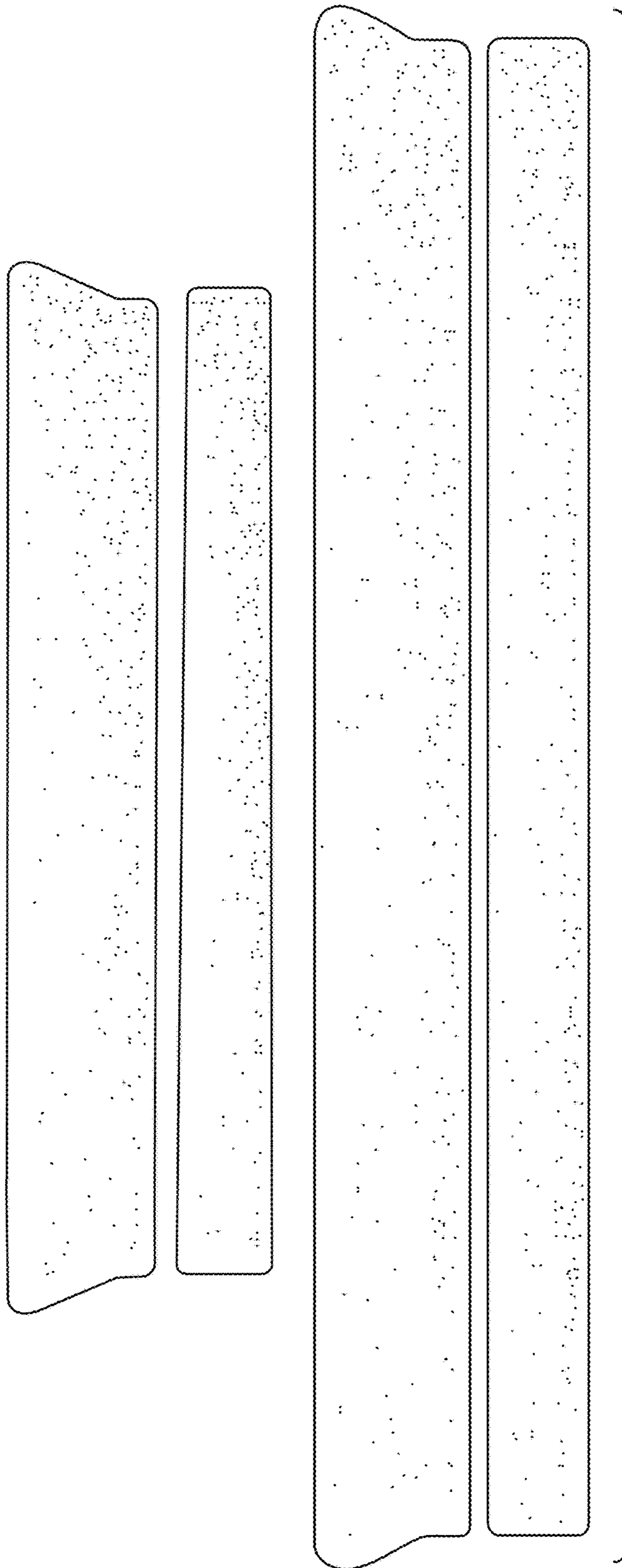


FIG. 3

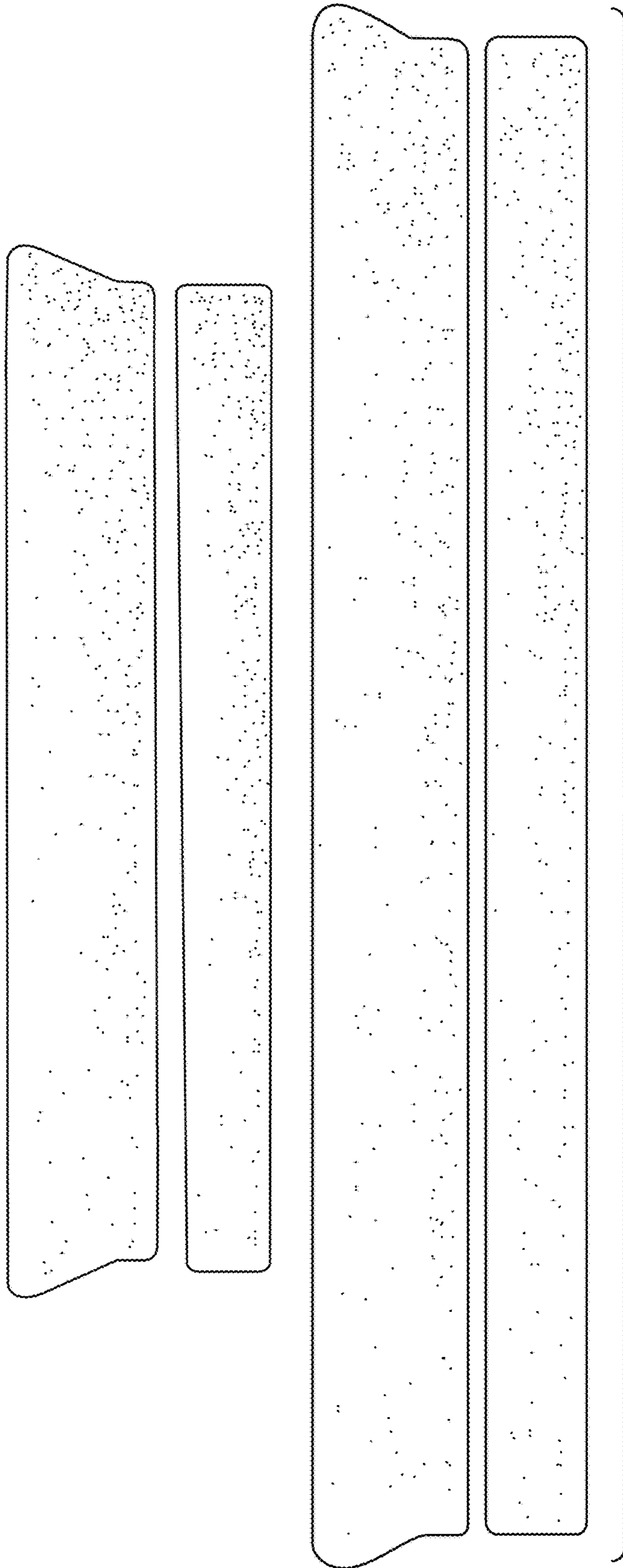


FIG. 4

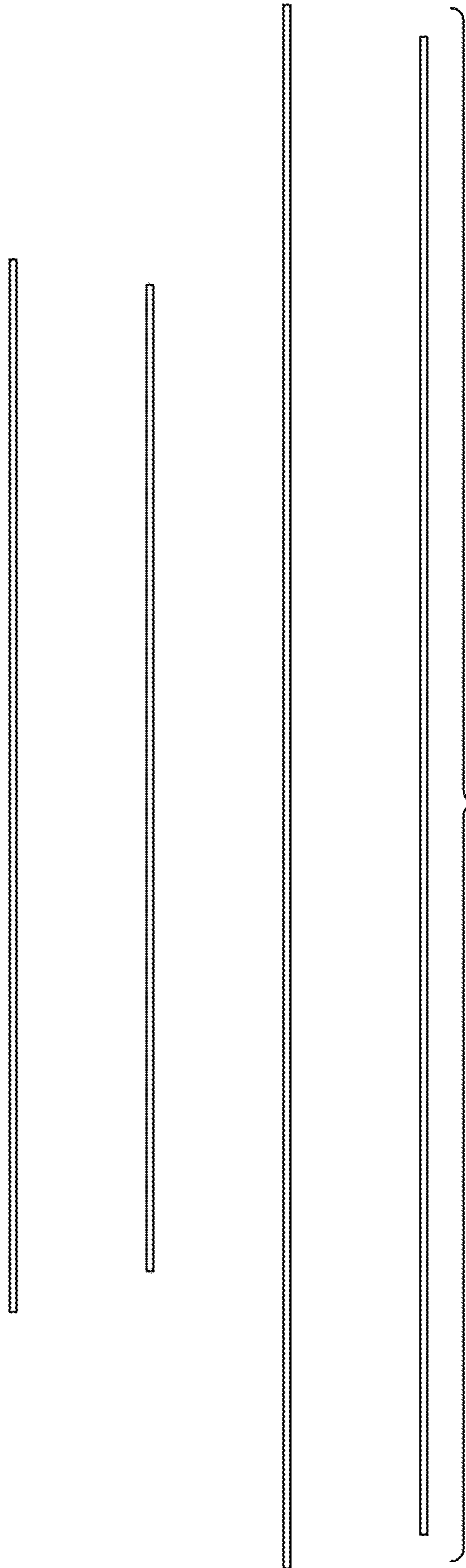


FIG. 5



FIG. 6



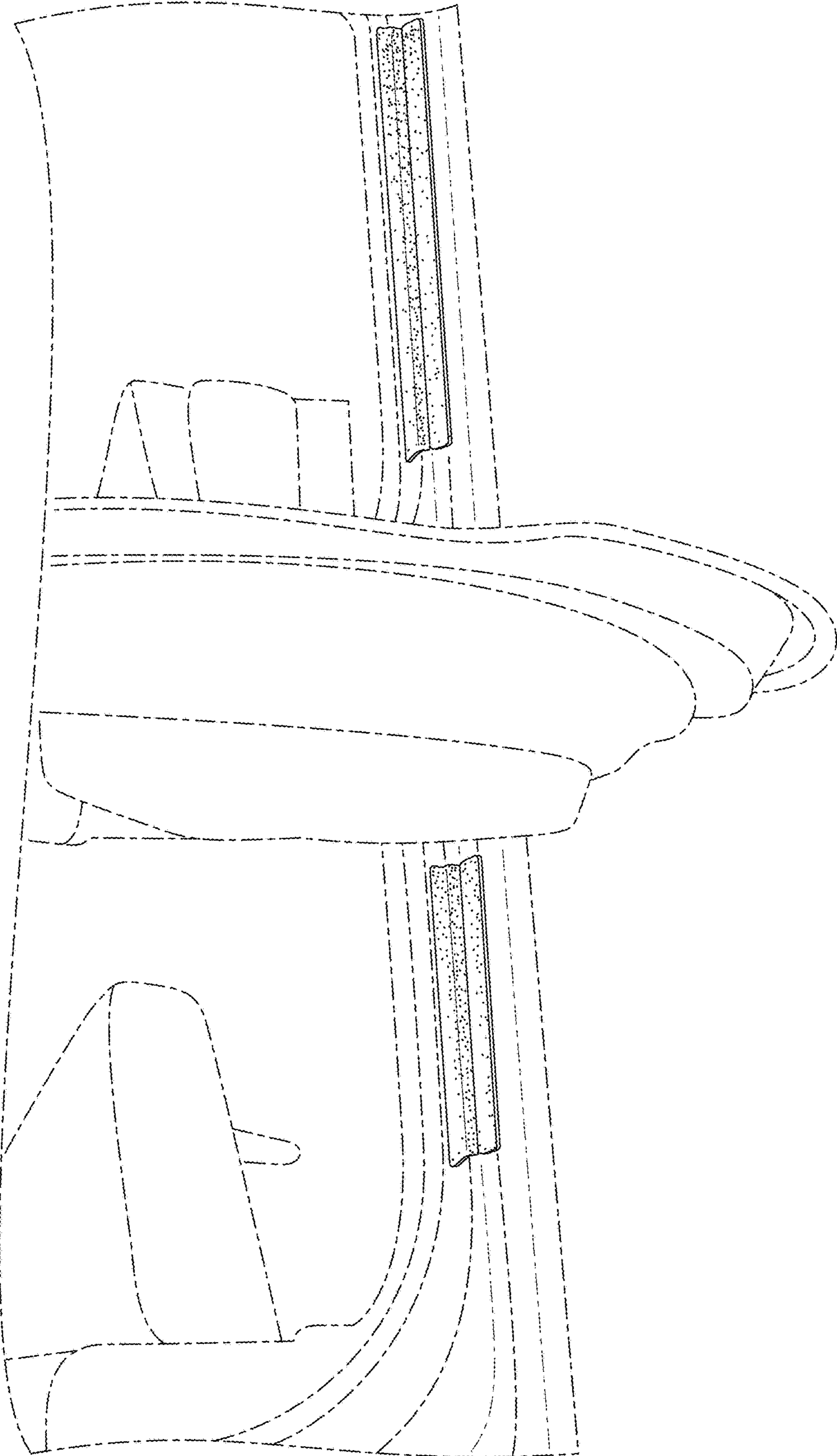


FIG. 7

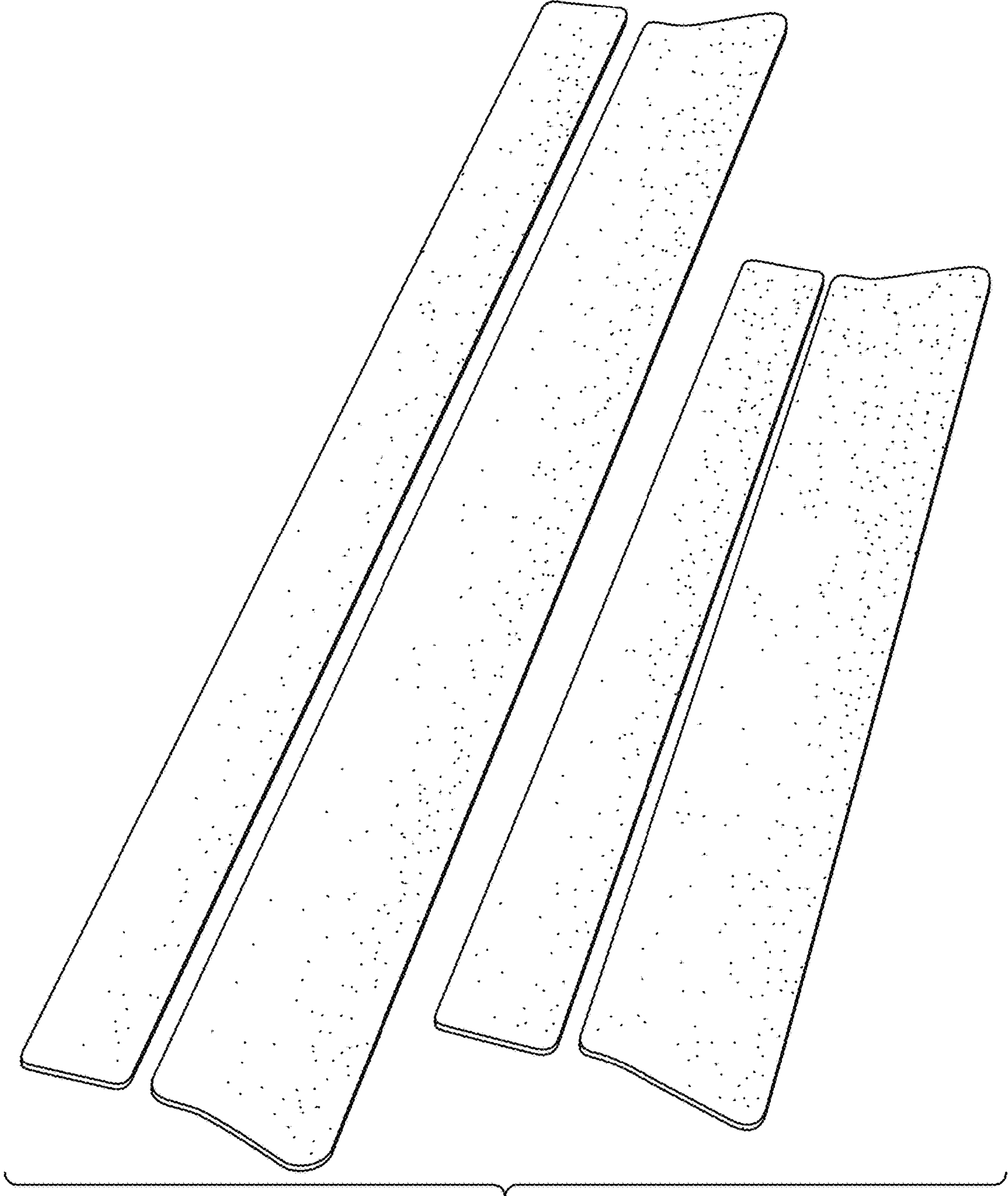


FIG. 8

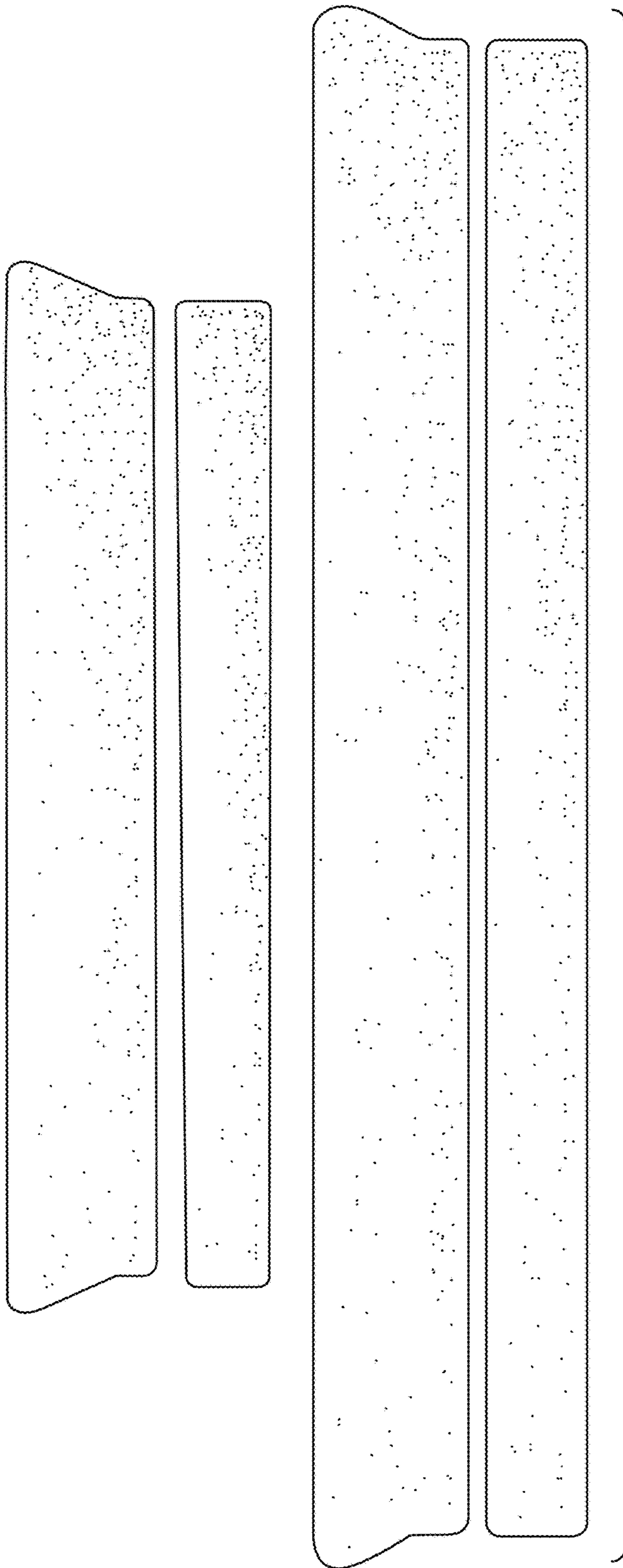


FIG. 9

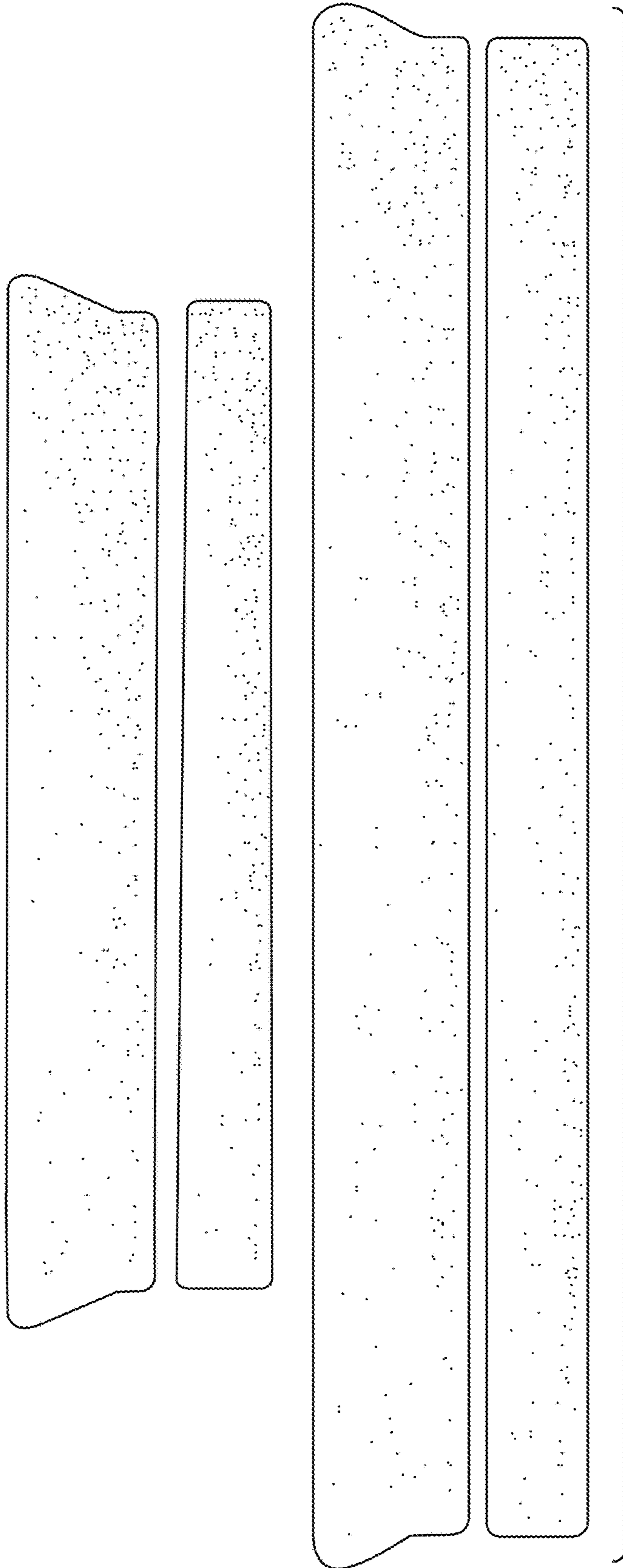


FIG. 10

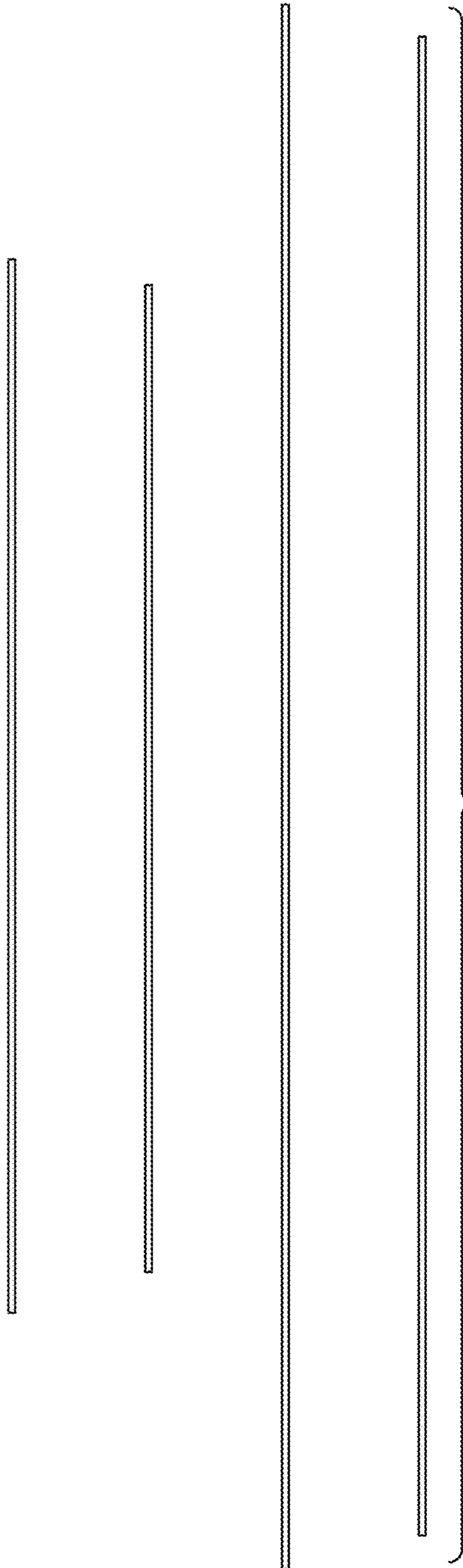


FIG. 11



FIG. 12