



US00D828791S

(12) **United States Design Patent** (10) **Patent No.:** **US D828,791 S**  
**Jang** (45) **Date of Patent:** **\*\* Sep. 18, 2018**

(54) **RADIATOR GRILLE OF CAR**  
(71) Applicant: **GM GLOBAL TECHNOLOGY OPERATIONS LLC**, Detroit, MI (US)  
(72) Inventor: **Donghyun Jang**, Seoul (KR)  
(73) Assignee: **GM GLOBAL TECHNOLOGY OPERATIONS LLC**, Detroit, MI (US)  
(\*\*) Term: **15 Years**  
(21) Appl. No.: **29/572,478**  
(22) Filed: **Jul. 28, 2016**

D645,795 S \* 9/2011 Ishibashi ..... D12/163  
D663,656 S \* 7/2012 Frenzel ..... D12/163  
D687,750 S \* 8/2013 Frei ..... D12/163  
D687,751 S \* 8/2013 Futschik ..... D12/163  
D692,358 S \* 10/2013 Nakamuta ..... D12/190  
D699,163 S \* 2/2014 Janssen ..... D12/164  
D701,798 S \* 4/2014 Futschik ..... D12/164  
D711,790 S \* 8/2014 Futschik ..... D12/164  
D721,019 S \* 1/2015 Pevovar ..... D12/163  
D759,551 S \* 6/2016 Nakahara ..... D12/163  
D788,662 S \* 6/2017 Minami ..... D12/190  
D788,663 S \* 6/2017 Minami ..... D12/190  
D788,664 S \* 6/2017 Minami ..... D12/190  
D790,412 S \* 6/2017 Dunford ..... D12/163  
2017/0129430 A1 \* 5/2017 Aizawa ..... B60R 19/18  
2017/0137954 A1 \* 5/2017 Hashimoto ..... B60K 11/08

\* cited by examiner

(30) **Foreign Application Priority Data**

Feb. 12, 2016 (KR) ..... 30-2016-0006609

(51) **LOC (11) Cl.** ..... **12-16**

(52) **U.S. Cl.**  
USPC ..... **D12/163**

(58) **Field of Classification Search**  
USPC .... D12/86, 91, 93, 163, 164, 166, 167, 169,  
D12/171, 172, 173, 190, 216  
CPC ..... B62D 25/08; B62B 9/16; B60K 11/08;  
B60R 19/52

See application file for complete search history.

(56) **References Cited**

**U.S. PATENT DOCUMENTS**

6,328,358 B1 \* 12/2001 Berweiler ..... B60R 19/52  
180/68.6  
D619,508 S \* 7/2010 Choi ..... D12/164  
D633,012 S \* 2/2011 Bauer ..... D12/163  
D635,897 S \* 4/2011 Frei ..... D12/163  
D640,610 S \* 6/2011 Schell ..... D12/163

*Primary Examiner* — Susan Bennett Hattan

*Assistant Examiner* — Suzanne E Tisdell

(74) *Attorney, Agent, or Firm* — Browdy and Neimark,  
P.L.L.C.

(57) **CLAIM**

The ornamental design for a radiator grille of car, as shown and described.

**DESCRIPTION**

FIG. 1 is a perspective view of new design for a radiator grille of car as shown in the drawings;  
FIG. 2 is a front elevation view of the radiator grille of car;  
FIG. 3 is a rear elevation view of the radiator grille of car;  
FIG. 4 is a left side view of the radiator grille of car;  
FIG. 5 is a right side view of the radiator grille of car;  
FIG. 6 is a top plan view of the radiator grille of car; and,  
FIG. 7 is a bottom plan view of the radiator grille of car.

**1 Claim, 7 Drawing Sheets**

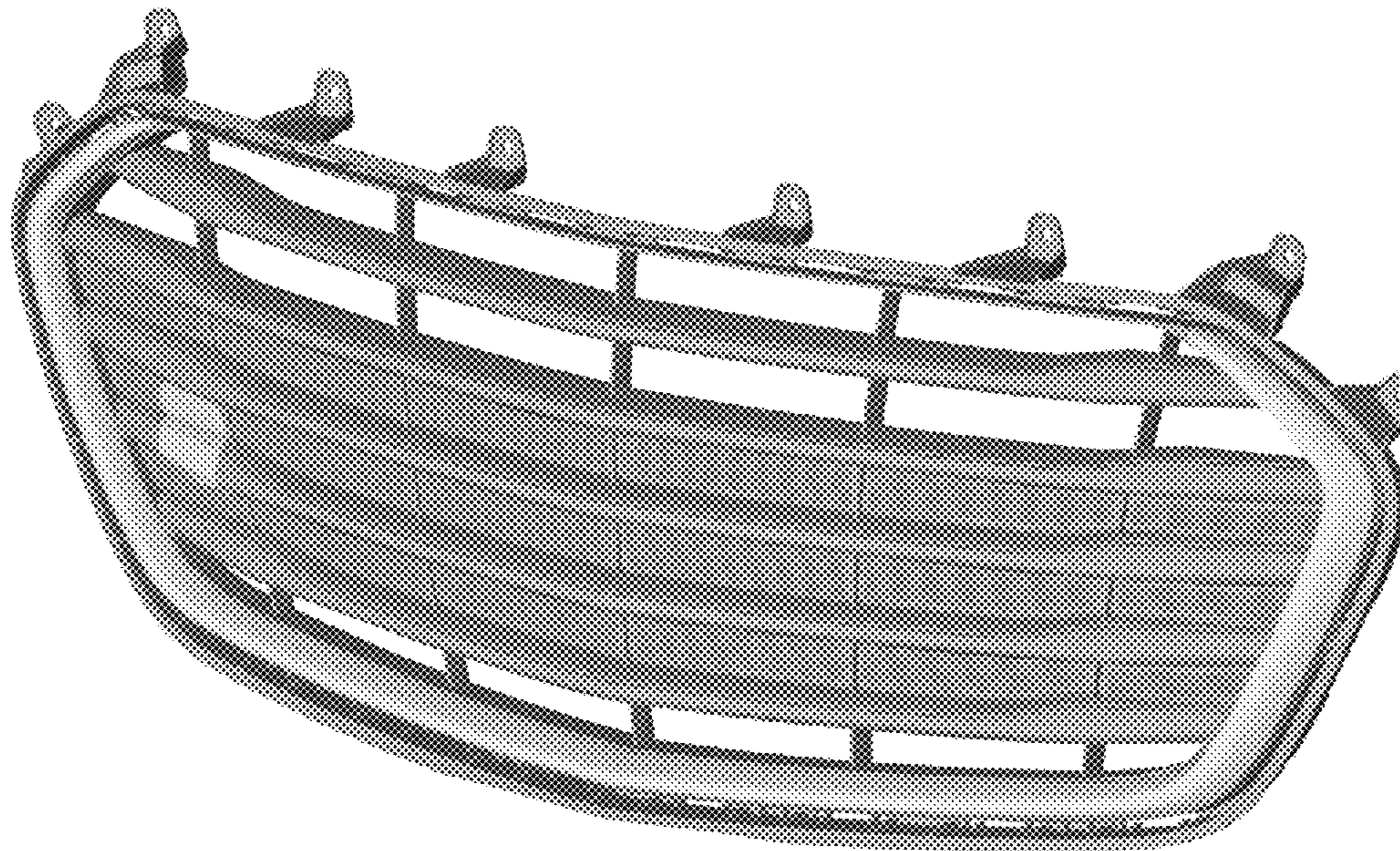


Fig. 1

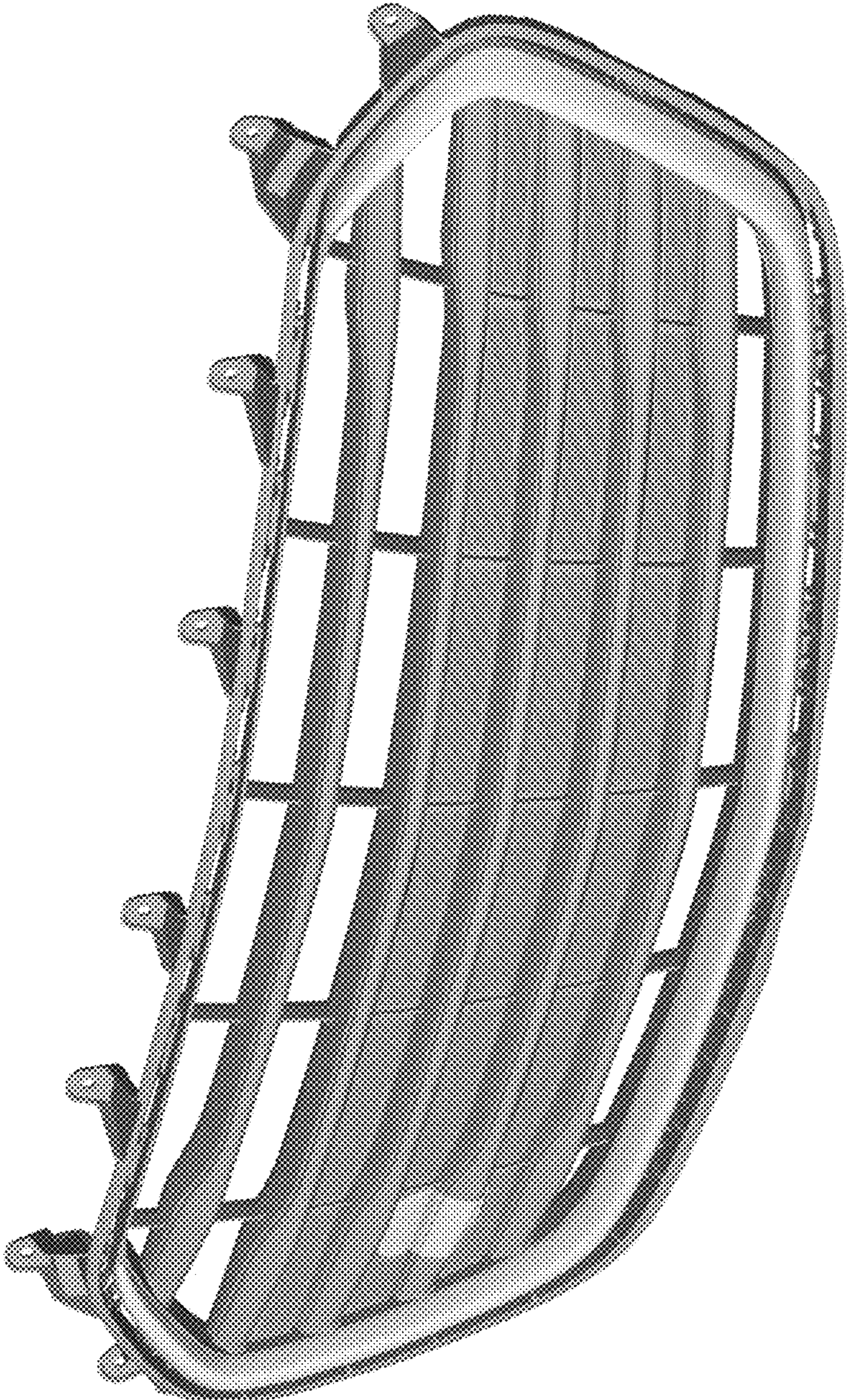


Fig. 2

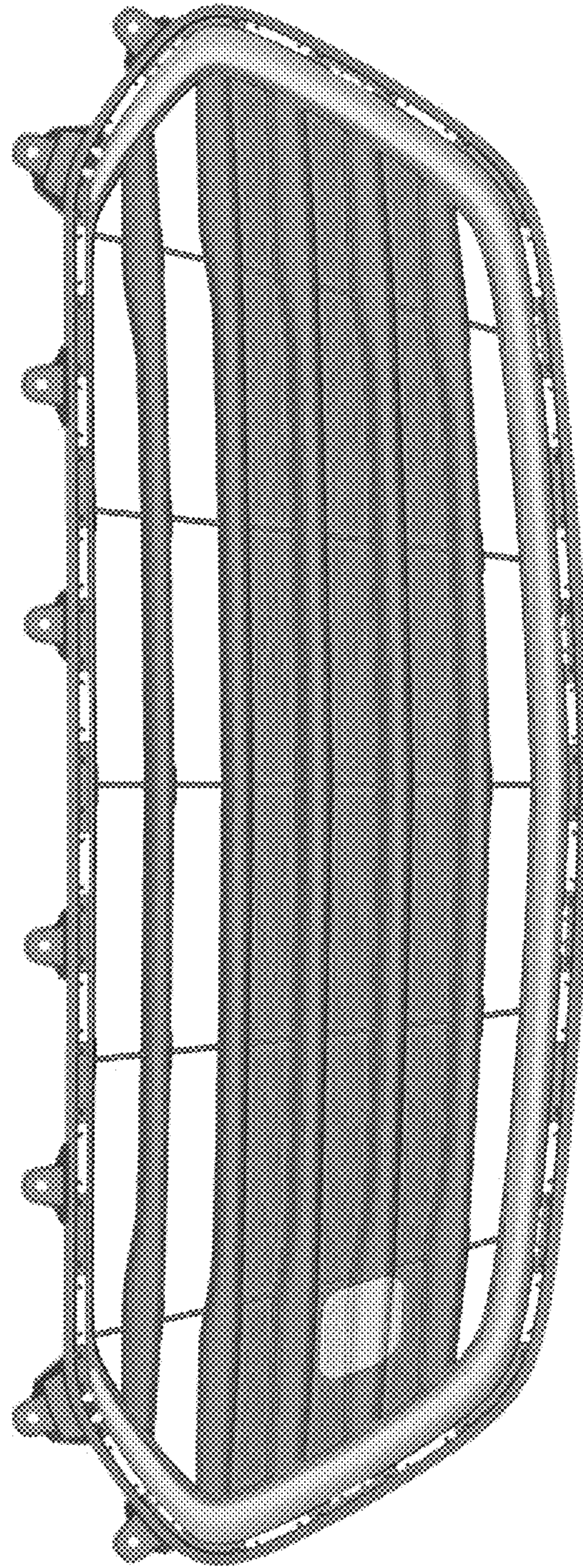


Fig. 3

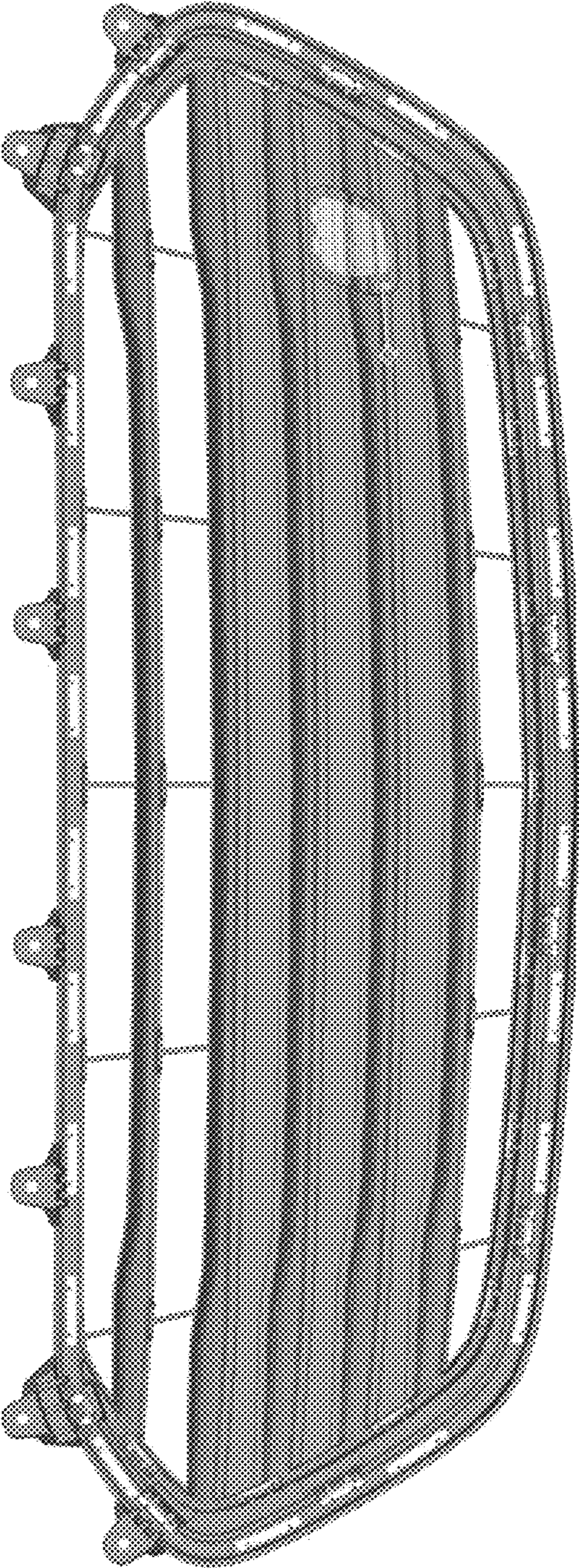


Fig. 4

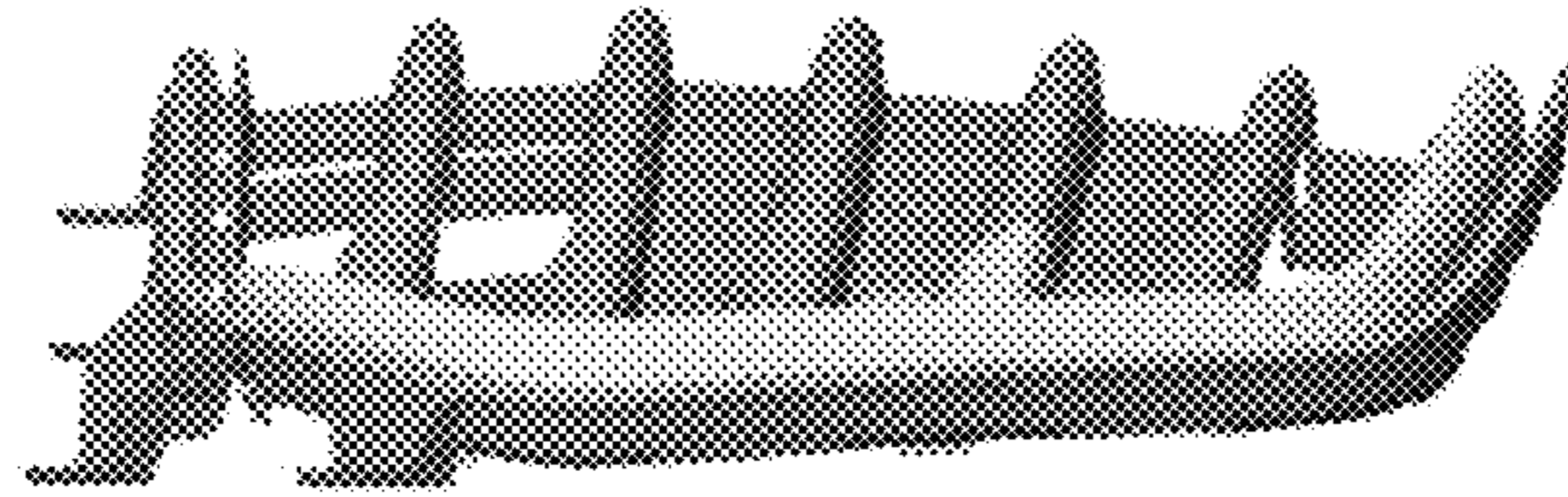


Fig. 5

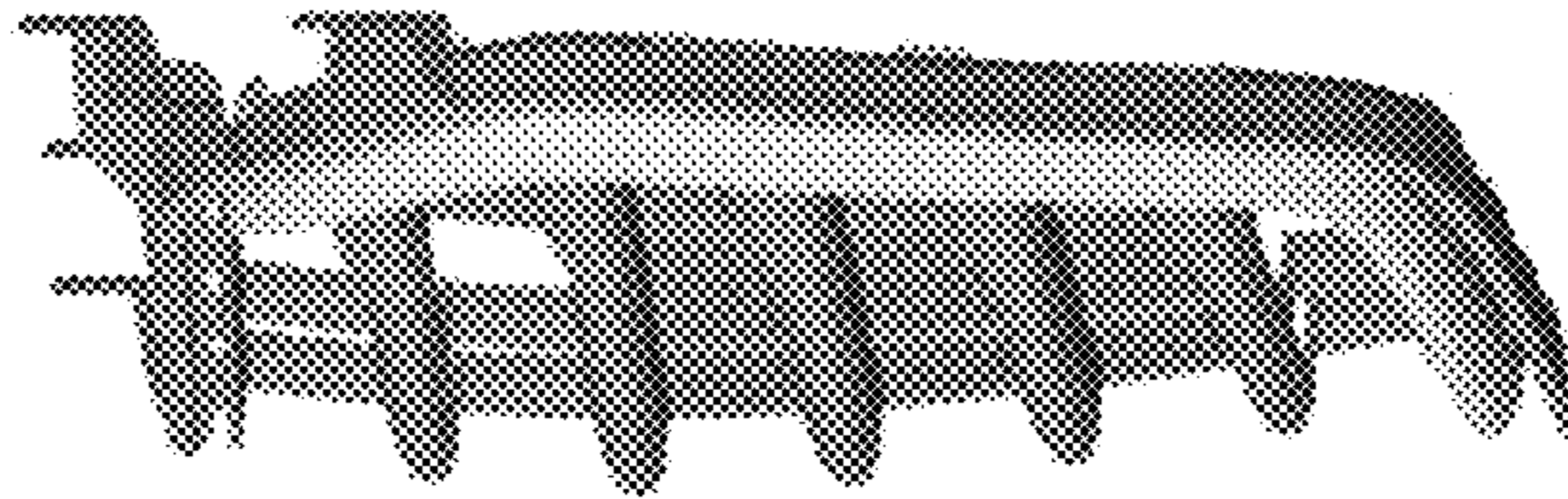
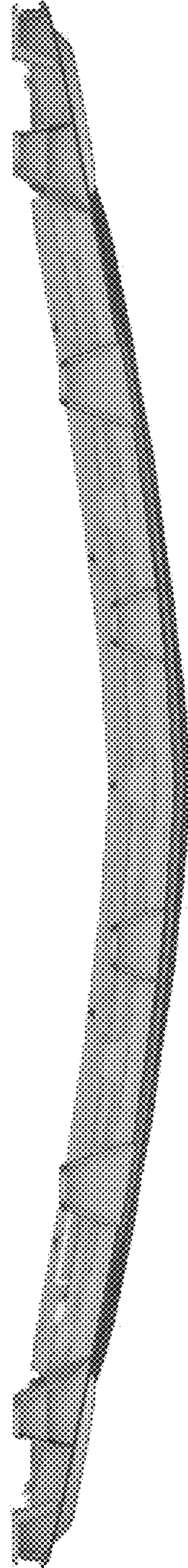


Fig. 6



**Fig. 7**

