

US00D828788S

(12) **United States Design Patent** (10) **Patent No.:** **US D828,788 S**  
**Zacard** (45) **Date of Patent:** **\*\* Sep. 18, 2018**

- (54) **STROLLER COVER**
- (71) Applicant: **Zatnick Inc.**, Blainville, Quebec (CA)
- (72) Inventor: **Patrick Zacard**, Blainville (CA)
- (73) Assignee: **ZATNICK INC.**, Blainville (CA)
- (\*\*) Term: **15 Years**
- (21) Appl. No.: **29/568,945**
- (22) Filed: **Jun. 22, 2016**
- (51) **LOC (11) Cl.** ..... **12-12**
- (52) **U.S. Cl.**  
 USPC ..... **D12/133**
- (58) **Field of Classification Search**  
 USPC ..... D12/128–133  
 CPC ..... B62B 7/00–7/04; B62B 9/00–9/28  
 See application file for complete search history.

- (56) **References Cited**
- U.S. PATENT DOCUMENTS
- |           |      |         |               |       |            |
|-----------|------|---------|---------------|-------|------------|
| 4,426,113 | A *  | 1/1984  | Schutz        | ..... | B62B 9/10  |
|           |      |         |               |       | 280/650    |
| 4,533,170 | A *  | 8/1985  | Banks         | ..... | B62B 9/142 |
|           |      |         |               |       | 135/88.01  |
| D319,202  | S *  | 8/1991  | Reinhart      | ..... | D12/129    |
| 5,184,865 | A *  | 2/1993  | Mohtasham     | ..... | B62B 9/142 |
|           |      |         |               |       | 135/133    |
| 5,542,732 | A *  | 8/1996  | Pollman       | ..... | B62B 9/142 |
|           |      |         |               |       | 296/77.1   |
| 5,975,558 | A *  | 11/1999 | Sittu         | ..... | B62B 9/142 |
|           |      |         |               |       | 280/47.38  |
| 6,224,073 | B1 * | 5/2001  | Au            | ..... | B62B 9/142 |
|           |      |         |               |       | 280/47.38  |
| 7,052,085 | B2 * | 5/2006  | Hoey-Slocombe | ....  | A47G 9/068 |
|           |      |         |               |       | 297/219.12 |

- |              |      |         |                 |       |             |
|--------------|------|---------|-----------------|-------|-------------|
| 7,150,499    | B2 * | 12/2006 | McGregor        | ..... | B60N 2/2842 |
|              |      |         |                 |       | 297/184.13  |
| D619,939     | S *  | 7/2010  | Olsen           | ..... | D12/133     |
| 2008/0229499 | A1 * | 9/2008  | Narboni-Campora | ..... |             |
|              |      |         |                 |       | A47G 9/068  |
|              |      |         |                 |       | 5/413 R     |
| 2012/0111384 | A1 * | 5/2012  | Hanks           | ..... | B62B 9/142  |
|              |      |         |                 |       | 135/88.02   |
| 2012/0286547 | A1 * | 11/2012 | Gibbons         | ..... | A47D 13/02  |
|              |      |         |                 |       | 297/184.11  |

\* cited by examiner

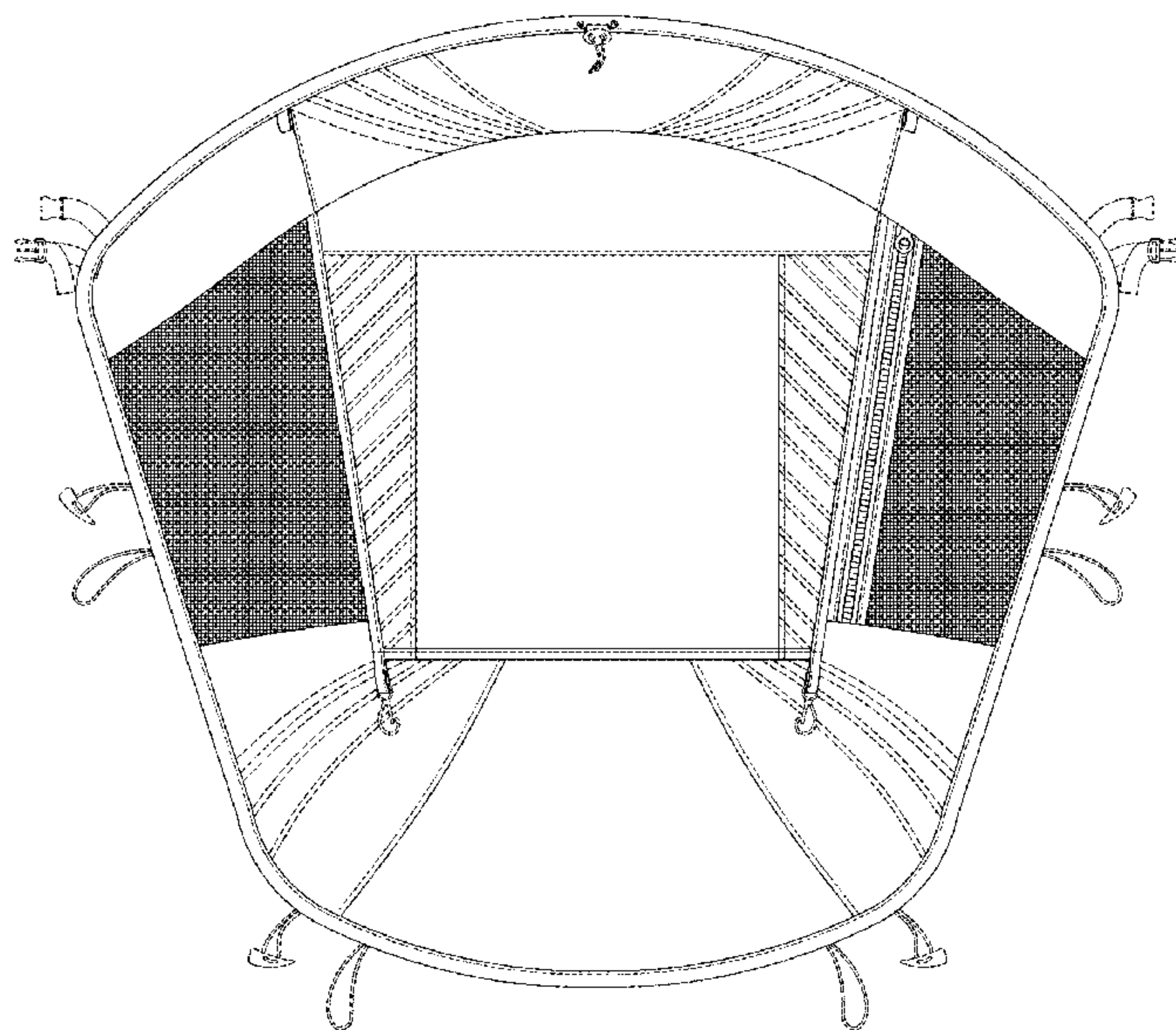
*Primary Examiner* — Charles D Hanson  
 (74) *Attorney, Agent, or Firm* — Robert Brouillette;  
 Brouillette Legal Inc.

(57) **CLAIM**  
 The ornamental design for a stroller cover, as shown.

**DESCRIPTION**

FIG. 1 is a perspective view of the first variant of the stroller cover;  
 FIG. 2 is a top plan view of the first variant of the stroller cover;  
 FIG. 3 is a bottom plan view of the first variant of the stroller cover;  
 FIG. 4 is a rear elevation view of the first variant of the stroller cover;  
 FIG. 5 is a left side elevation view of the first variant of the stroller cover;  
 FIG. 6 is a right side elevation view of the first variant of the stroller cover;  
 FIG. 7 is a front view of the first variant of the stroller cover;  
 and,  
 FIG. 8 is a top view of the first variant of the stroller cover having an upwardly extended shield;  
 The broken lines are for environmental purposes only and form no part of the claimed design.

**1 Claim, 5 Drawing Sheets**



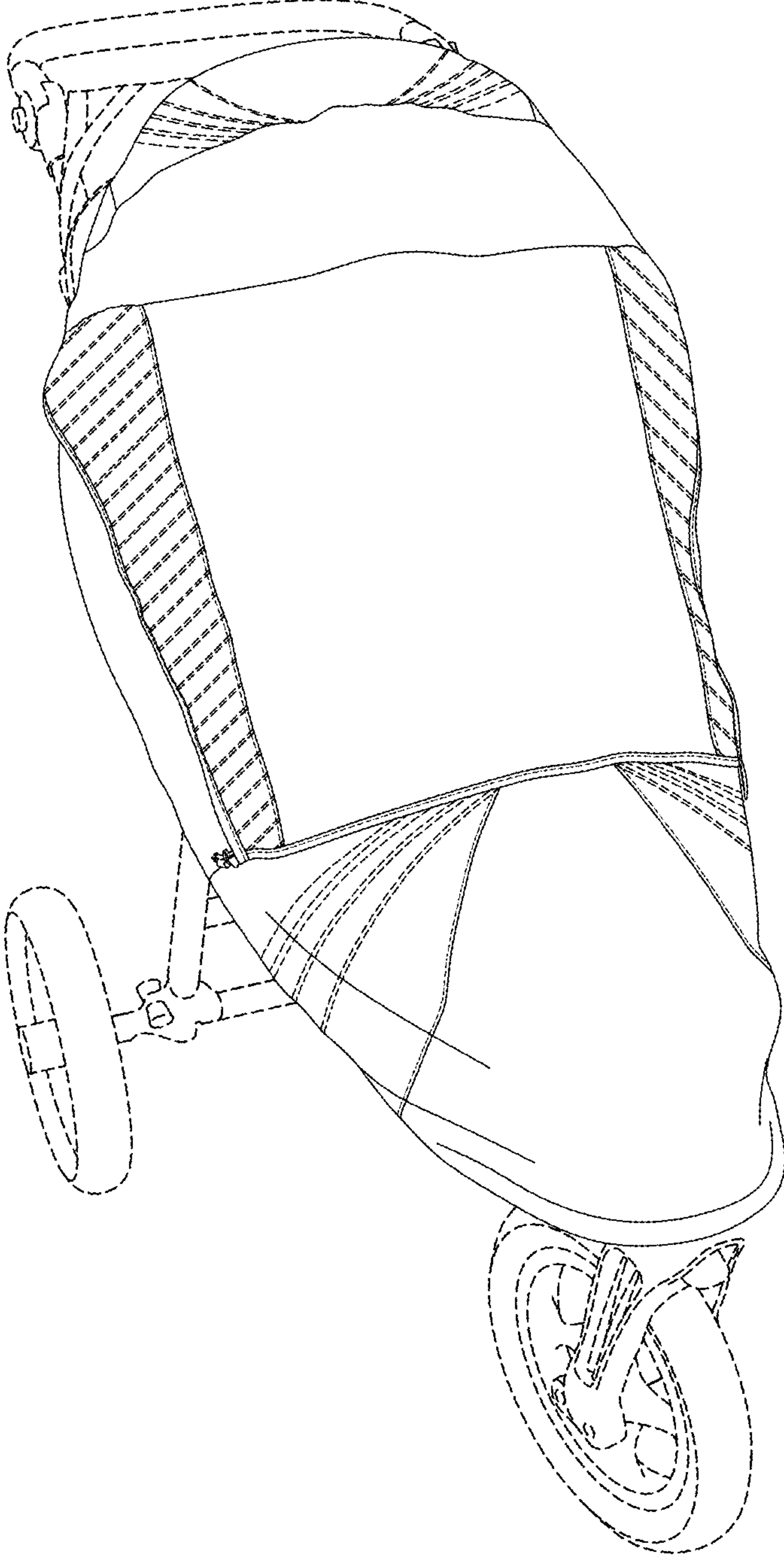


FIG-1



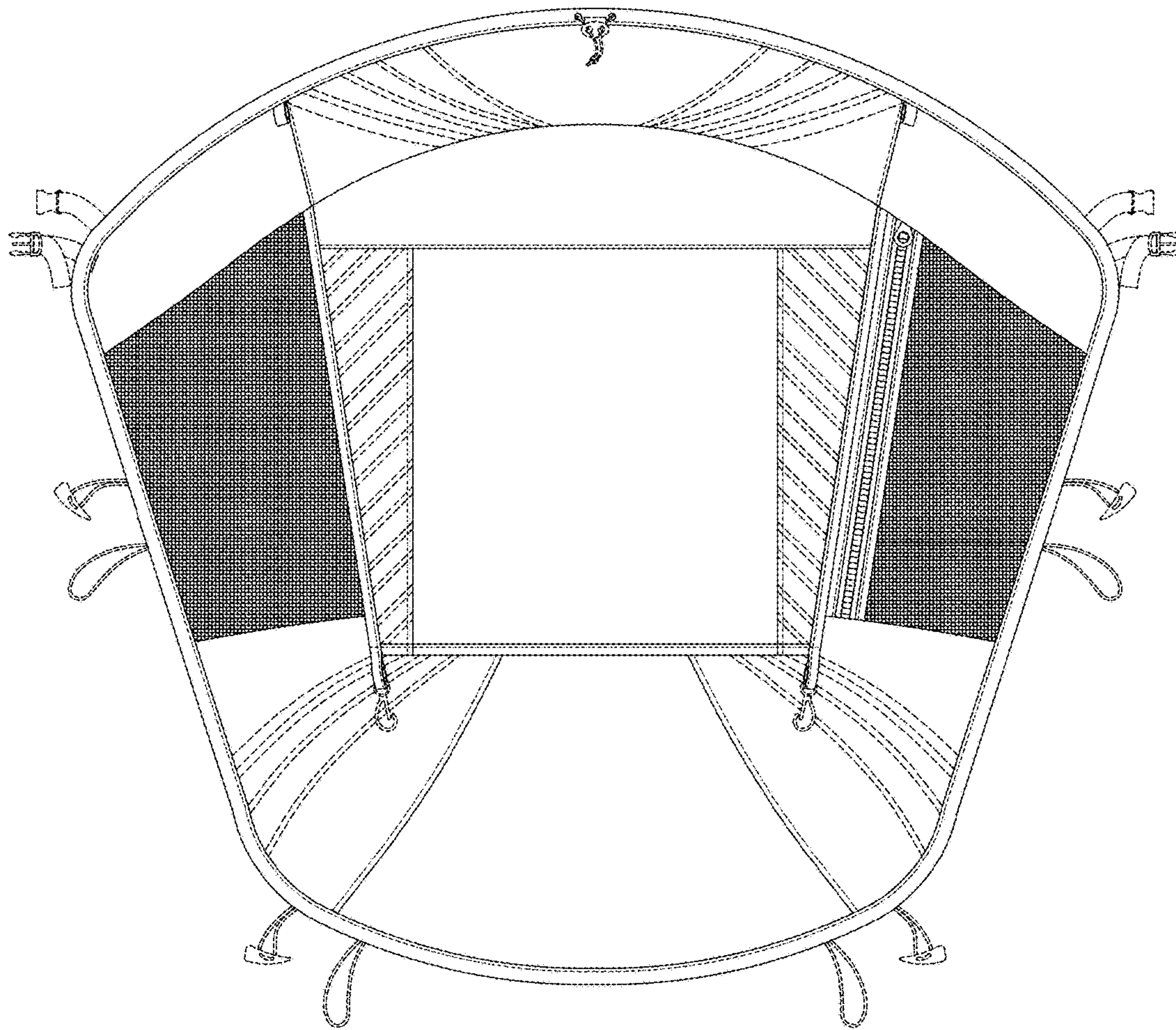


FIG-2



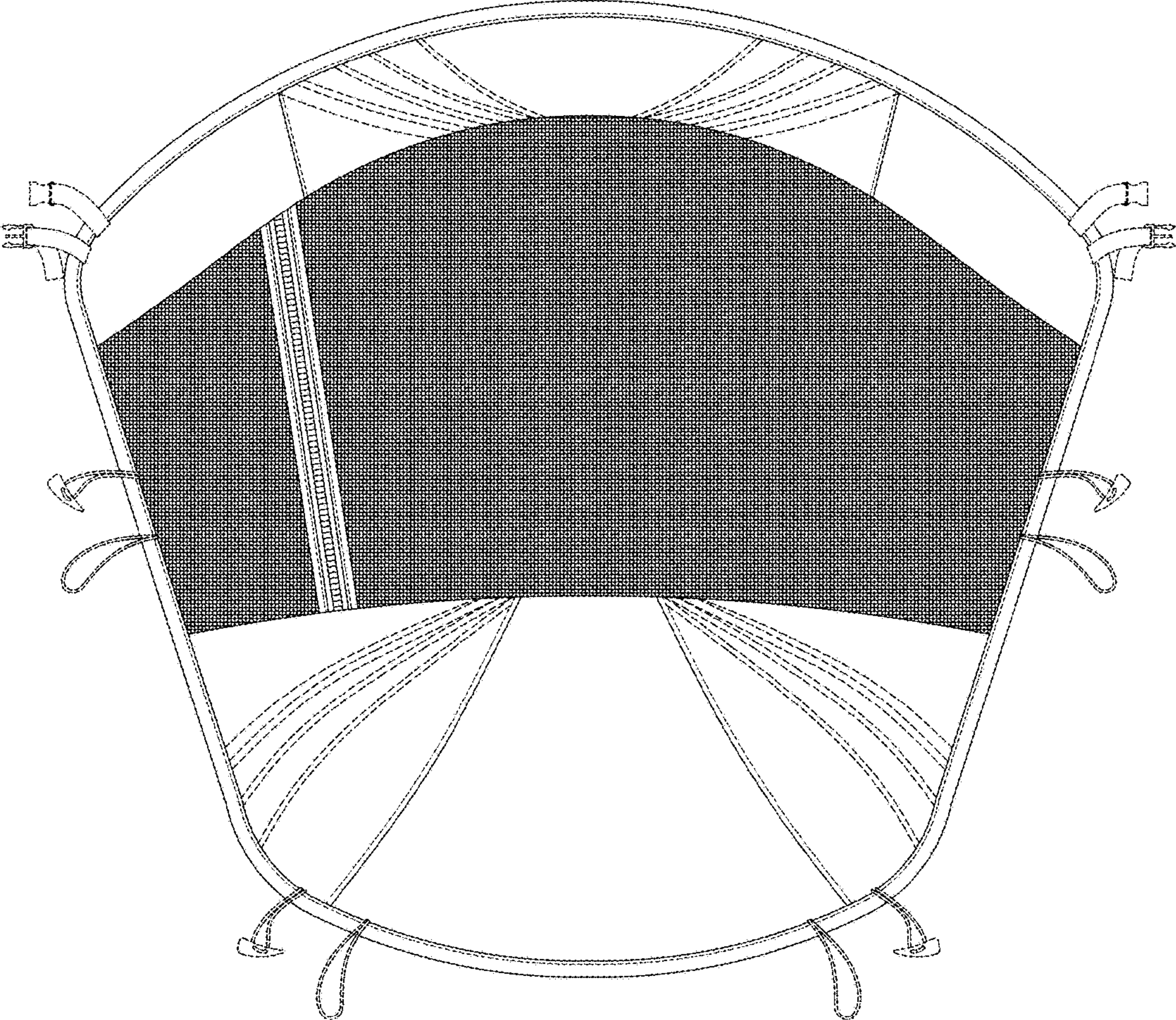


Fig. 3

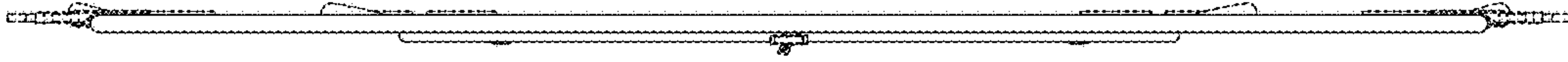


FIG. 4

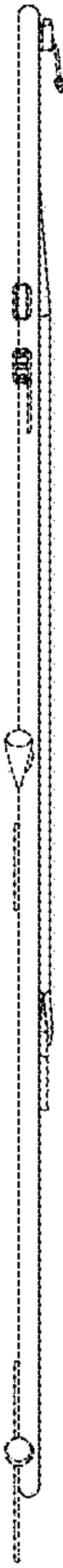


FIG. 5



FIG. 6



FIG. 7



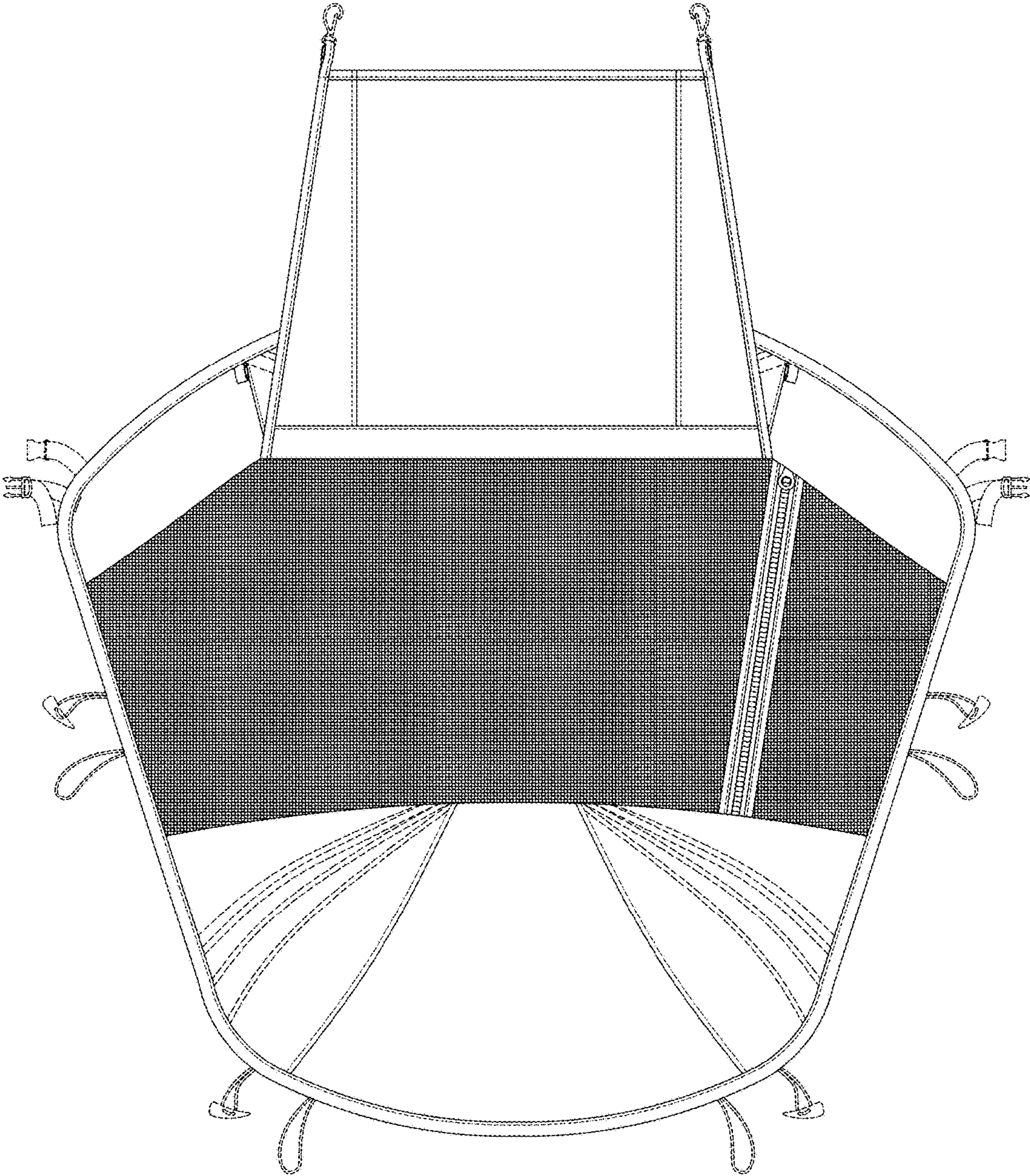


FIG. 8