



US00D828784S

(12) **United States Design Patent**  
**Wong**

(10) **Patent No.:** **US D828,784 S**

(45) **Date of Patent:** **\*\* Sep. 18, 2018**

(54) **LED ZIPPER PULLER**

(71) Applicant: **Tai Hing Zipper Factory Company Limited**, Kowloon Bay (HK)

(72) Inventor: **Patrick Wong**, Kowloon Bay (HK)

(73) Assignee: **TAI HING ZIPPER FACTORY COMPANY LIMITED**, Hong Kong (HK)

(\*\*) Term: **15 Years**

(21) Appl. No.: **29/612,634**

(22) Filed: **Aug. 2, 2017**

(30) **Foreign Application Priority Data**

Feb. 3, 2017 (HK) ..... 1700196

(51) **LOC (11) Cl.** ..... **02-07**

(52) **U.S. Cl.**  
USPC ..... **D11/221**

(58) **Field of Classification Search**  
USPC ..... D11/200, 201, 221; 24/381–383,  
24/385–389, 401, 414–417, 421–422,  
24/427–431, 433, 434; 2/265; D2/641,  
D2/642; 294/3.6; 223/118; D8/33, 34,  
D8/40

CPC ..... A44B 19/00; A44B 19/02; A44B 19/04;  
A44B 19/10; A44B 19/26; A44B 19/30;  
A44B 19/06; A44B 19/34; A44B 19/40;  
A44B 19/52; A44B 19/38; G02C 3/003;  
A44H 37/06; B29C 45/14573

See application file for complete search history.

(56) **References Cited**

**U.S. PATENT DOCUMENTS**

6,279,209 B1 \* 8/2001 Kang ..... B29C 45/14573  
24/401  
D621,399 S \* 8/2010 Ahlstrom ..... D14/344

D651,128 S \* 12/2011 Pontaoe ..... D11/221  
D651,131 S \* 12/2011 Pontaoe ..... D11/221  
D693,269 S \* 11/2013 Bertken ..... D11/221  
D696,155 S \* 12/2013 Coratola ..... D11/221  
D744,899 S \* 12/2015 Oberwelz ..... D11/221

\* cited by examiner

*Primary Examiner* — Ralf Seifert

(74) *Attorney, Agent, or Firm* — Tarolli, Sundheim,  
Covell & Tummino LLP

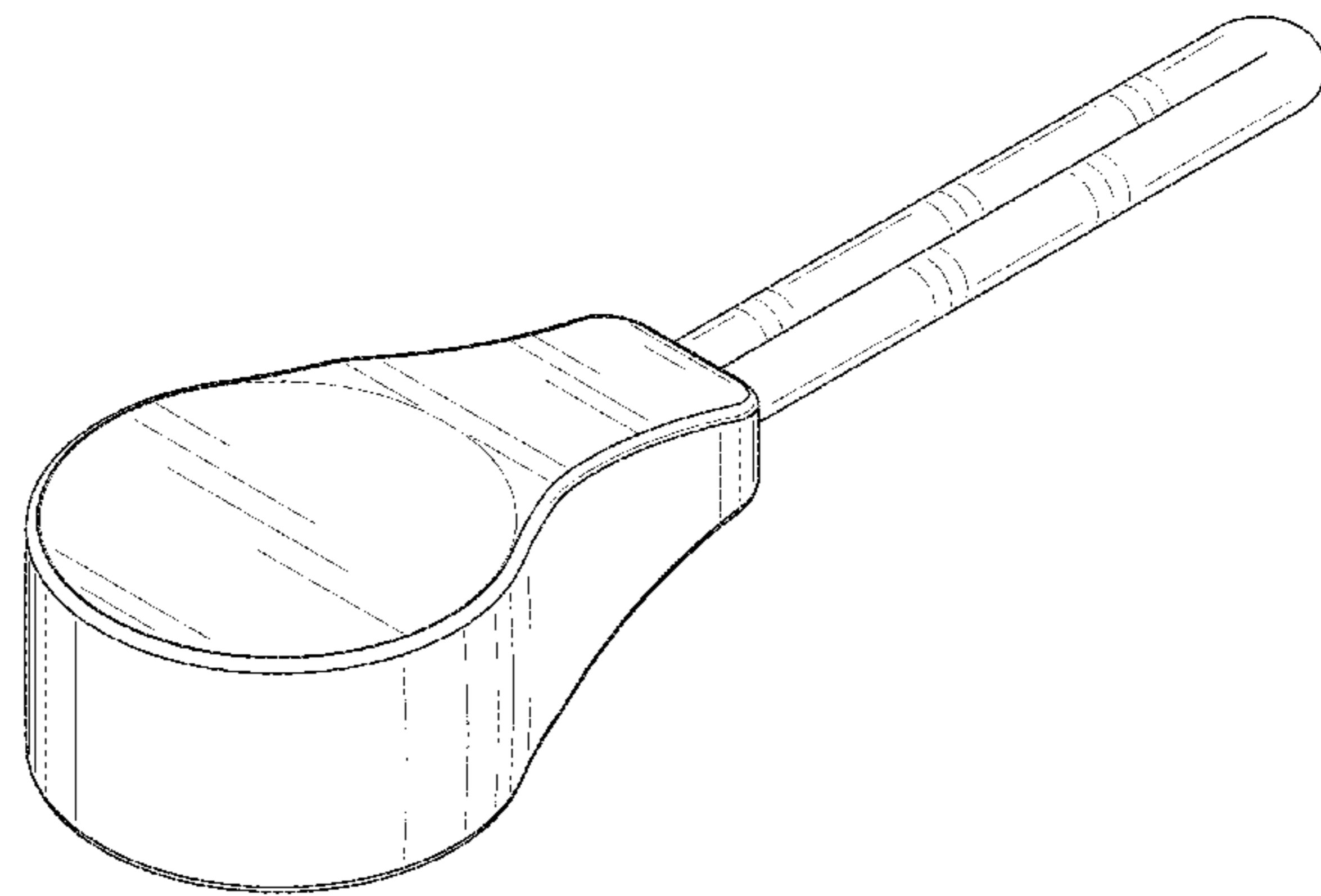
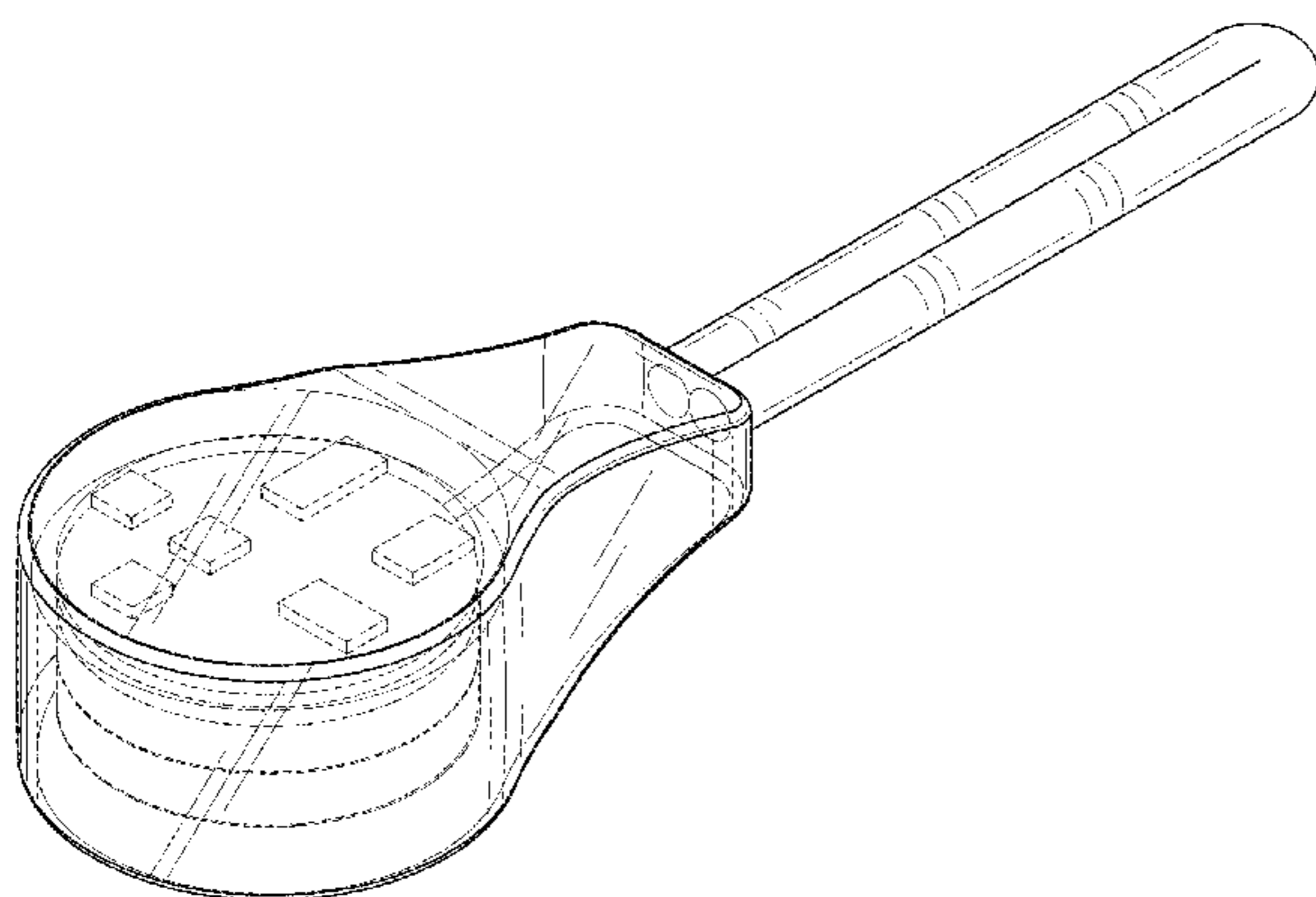
(57) **CLAIM**

The ornamental design for a LED zipper puller, as shown and described.

**DESCRIPTION**

FIG. 1 is a front perspective view of a LED zipper puller illustrated in accordance with an example embodiment of the present disclosure wherein the tether is connected to an illuminated housing;  
FIG. 2 is a front view thereof;  
FIG. 3 is a rear view thereof;  
FIG. 4 is a right side view thereof;  
FIG. 5 is a left side view thereof;  
FIG. 6 is a bottom plan view of thereof;  
FIG. 7 is a top plan view thereof;  
FIG. 8 is a front perspective view of a LED zipper puller showing the second embodiment of our new design;  
FIG. 9 is a front view of FIG. 8;  
FIG. 10 is a rear view of FIG. 8;  
FIG. 11 is a right side view of FIG. 8;  
FIG. 12 is a left side view of FIG. 8;  
FIG. 13 is a bottom plan view of FIG. 8; and,  
FIG. 14 is a top plan view of FIG. 8.  
Those portions of the Figures shown in broken lines are for illustration only and form no part of the claimed design.

**1 Claim, 8 Drawing Sheets**



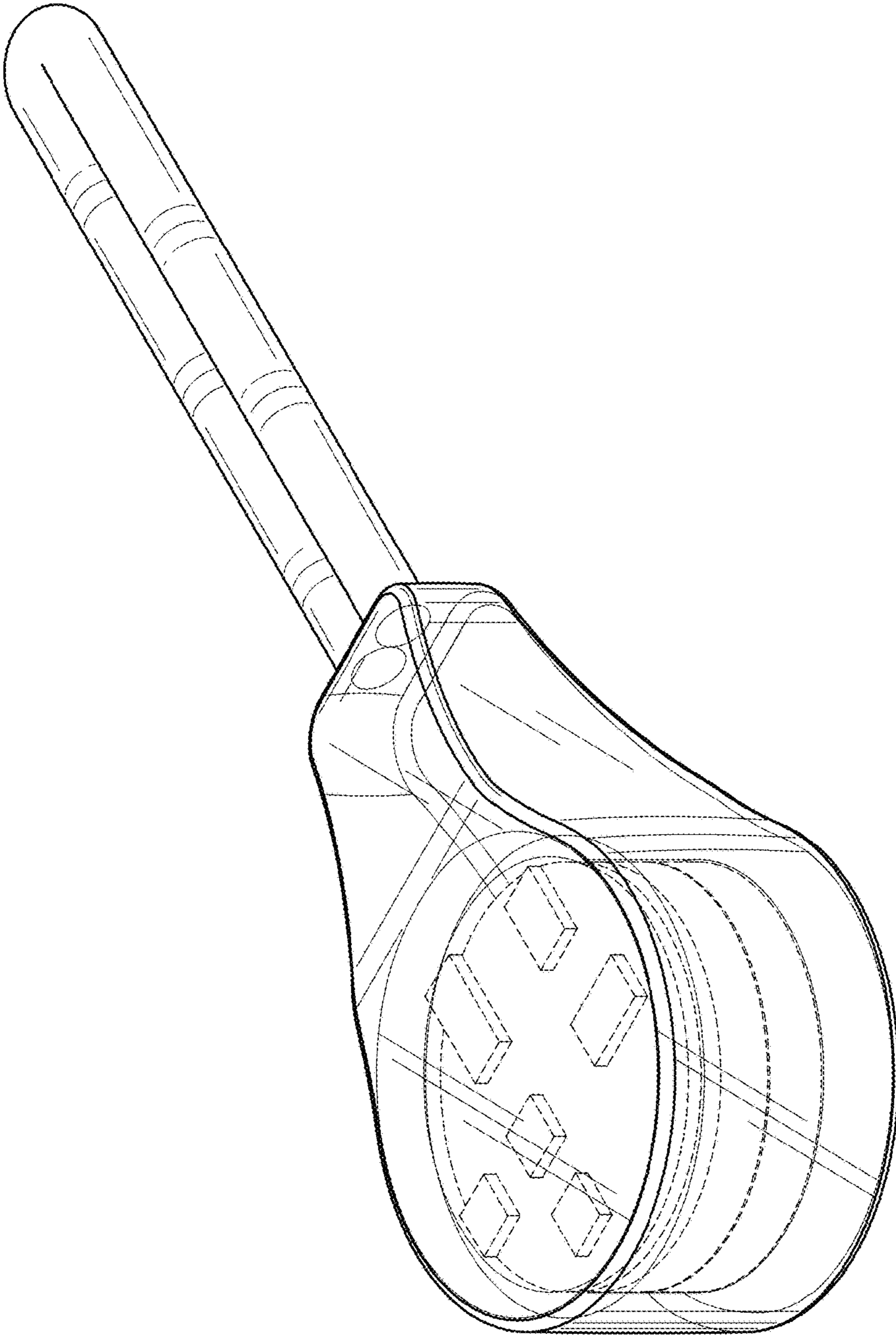


FIG. 1

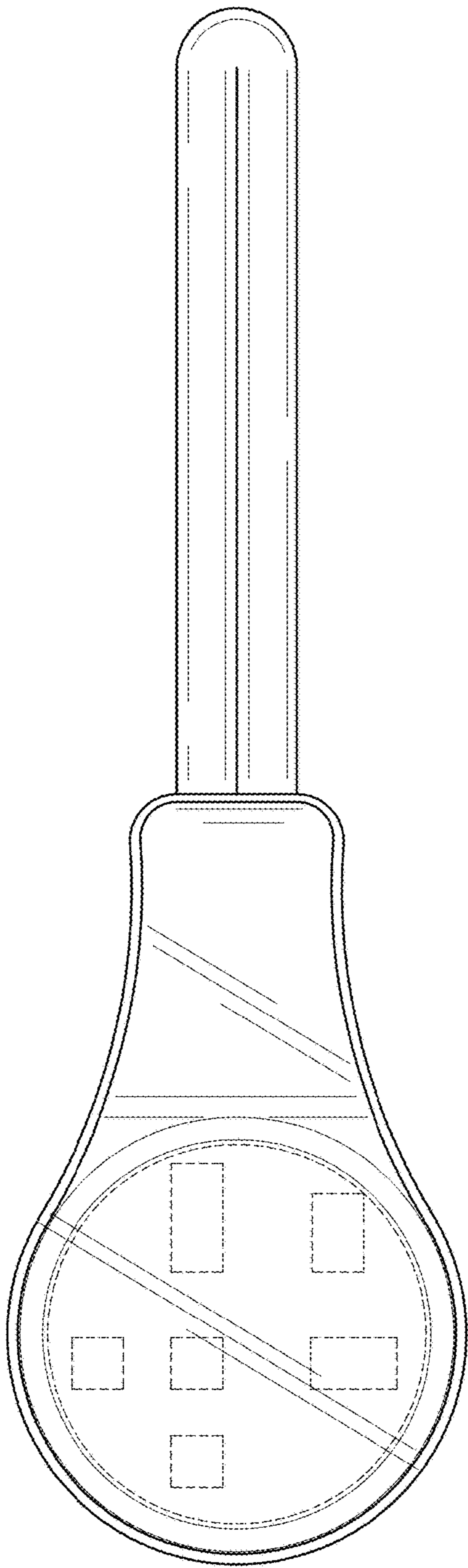


FIG. 2

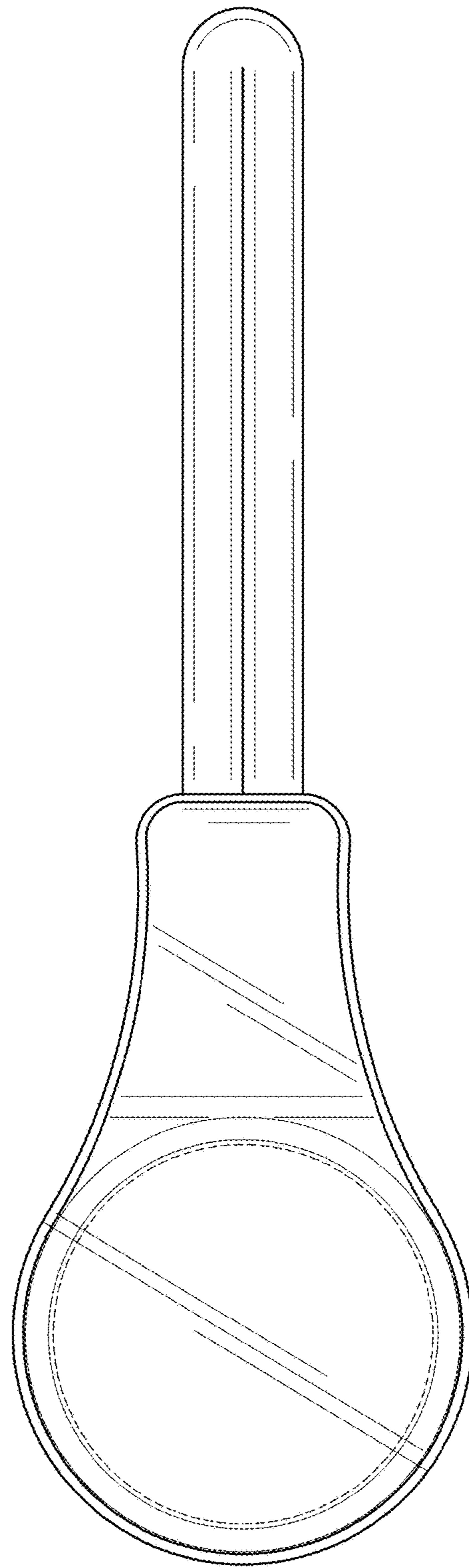


FIG. 3

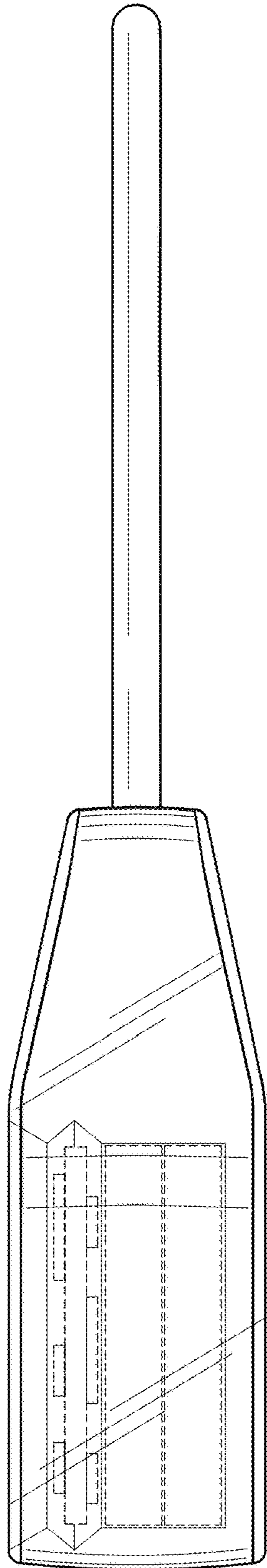


FIG. 4

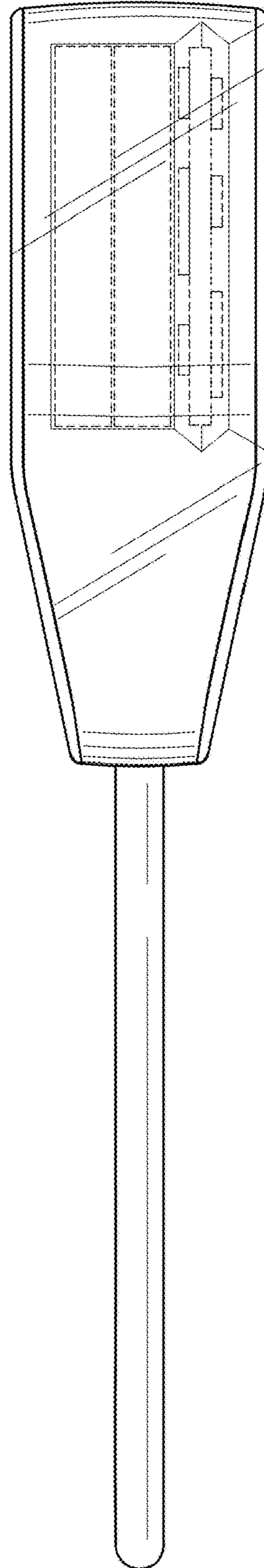


FIG. 5

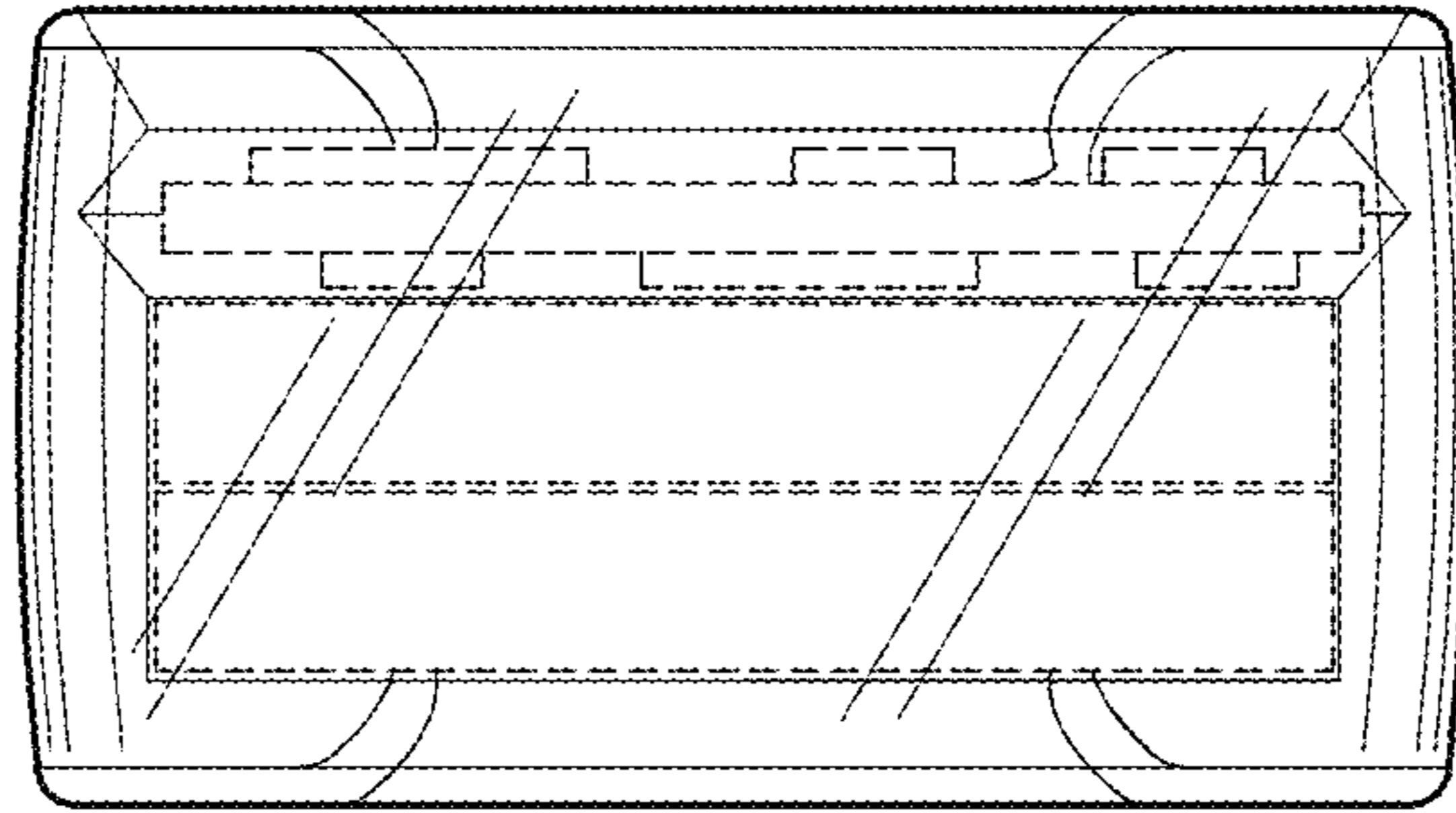


FIG. 6

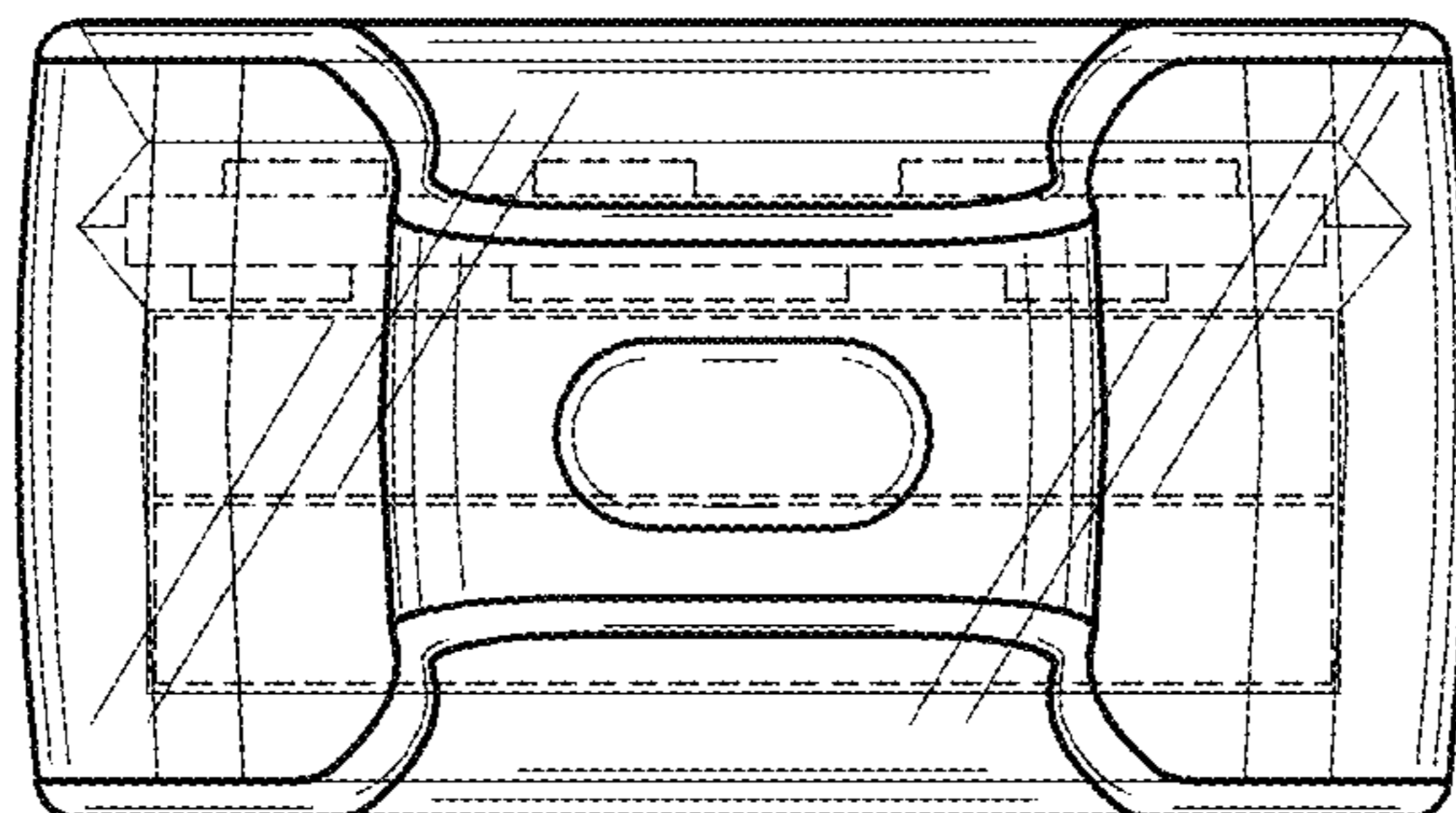


FIG. 7

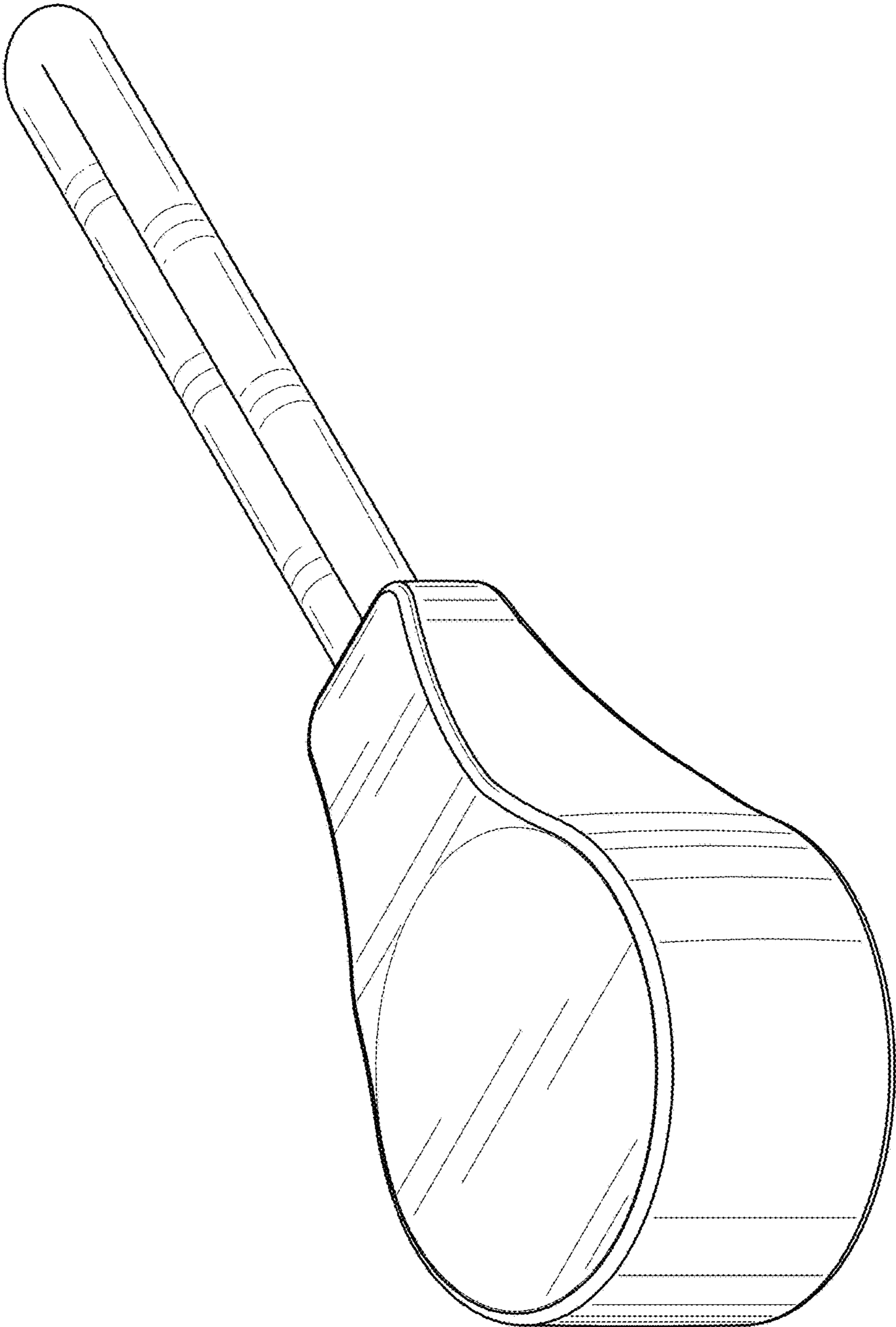


FIG. 8

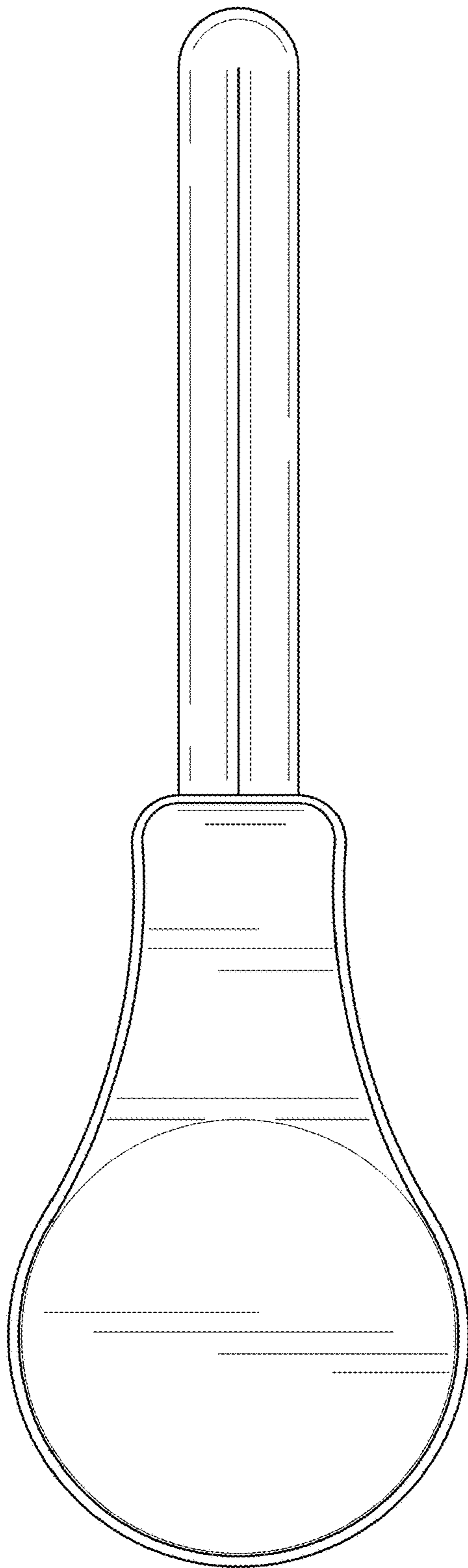


FIG. 9

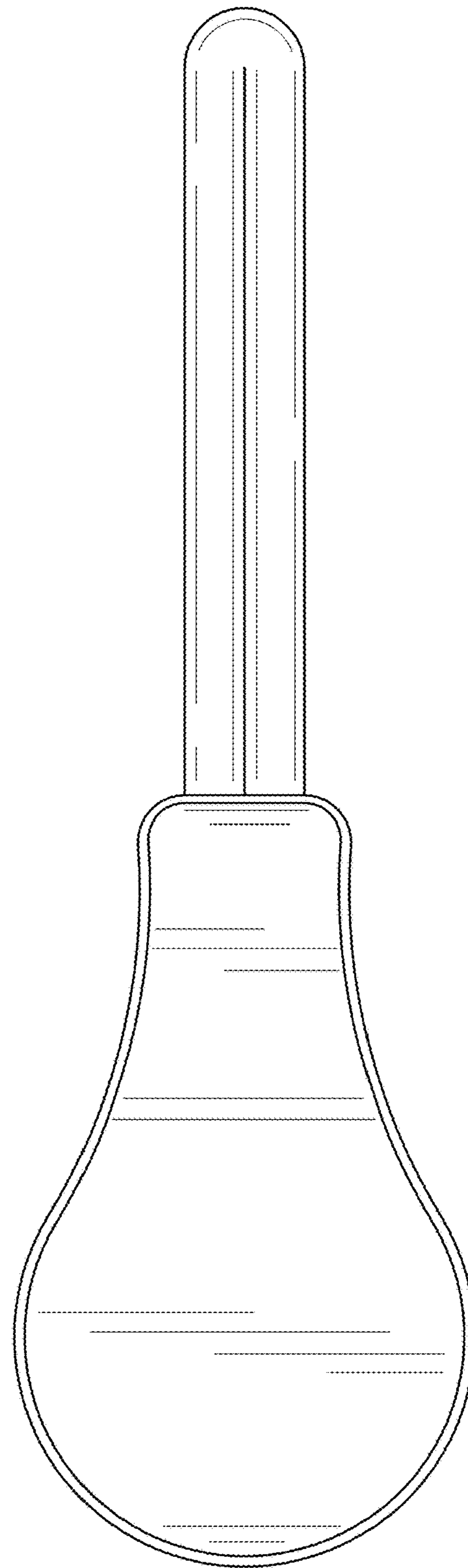


FIG. 10

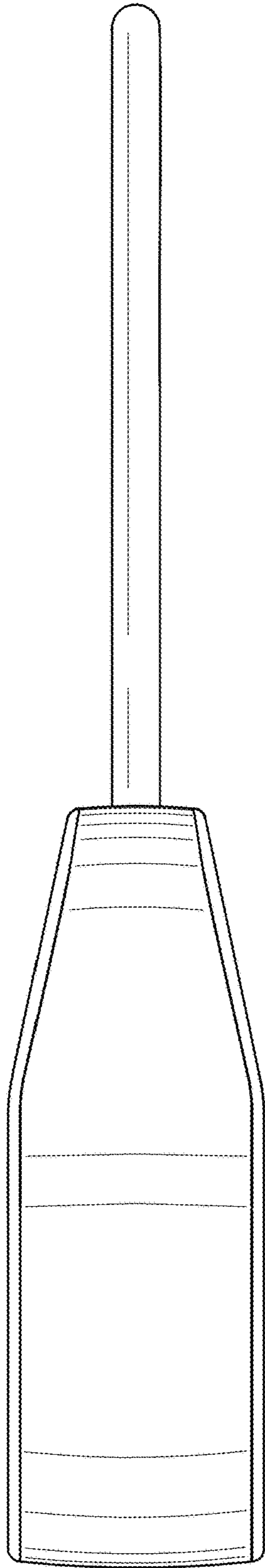


FIG. 11

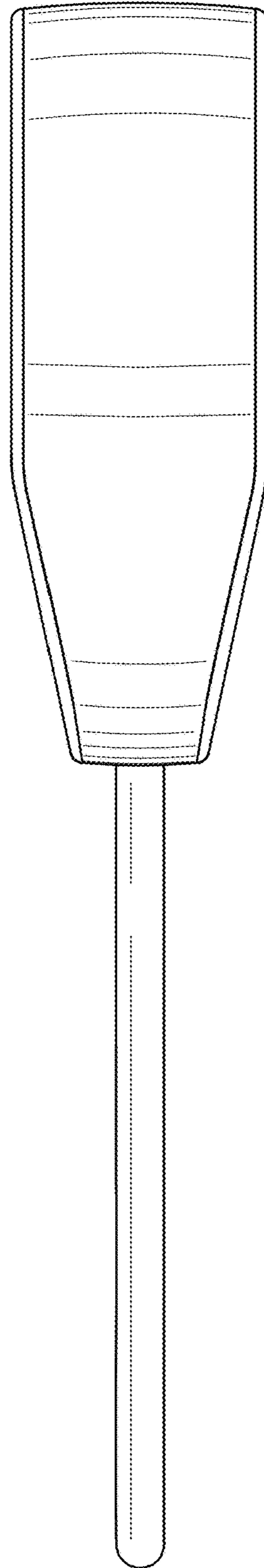


FIG. 12



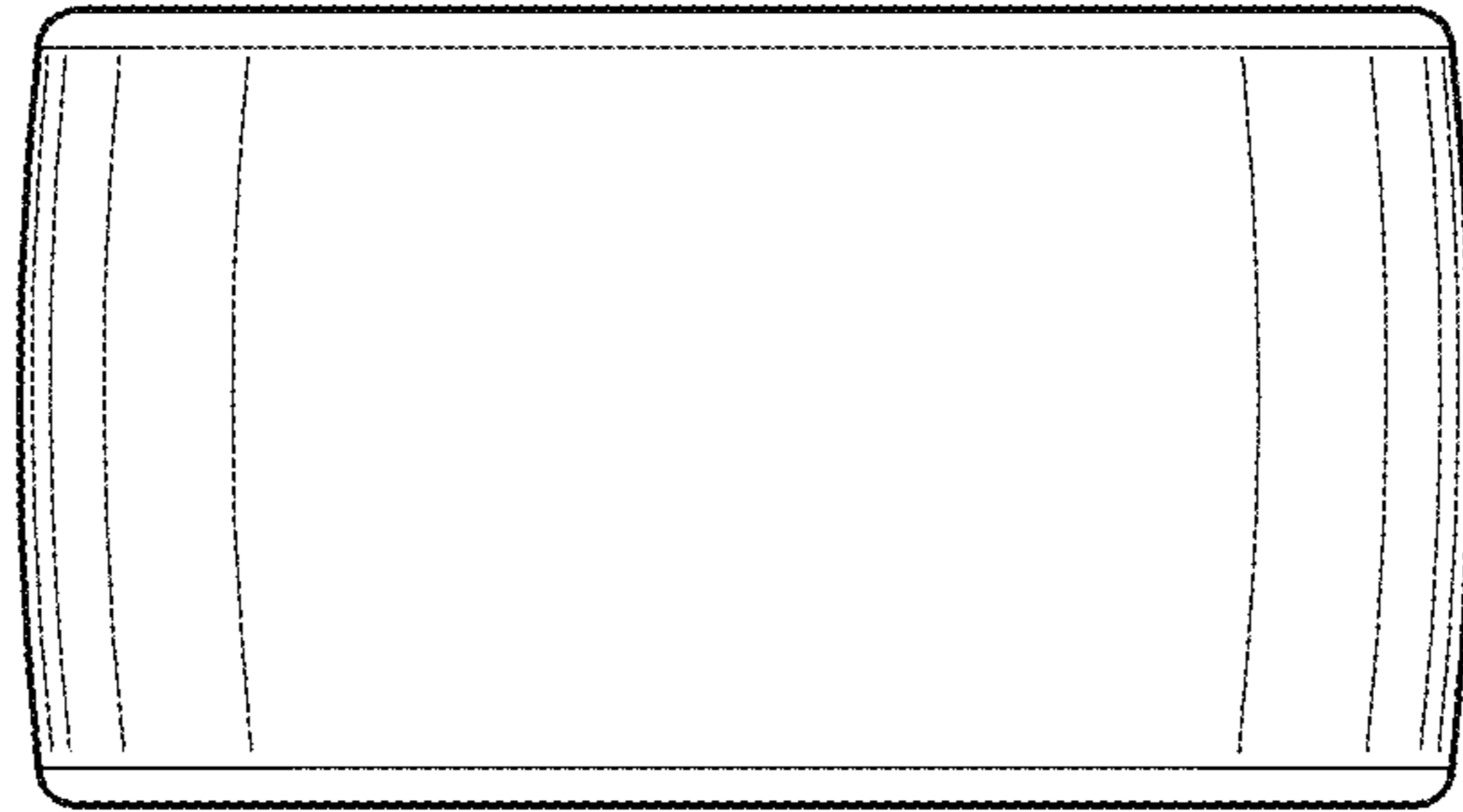


FIG. 13

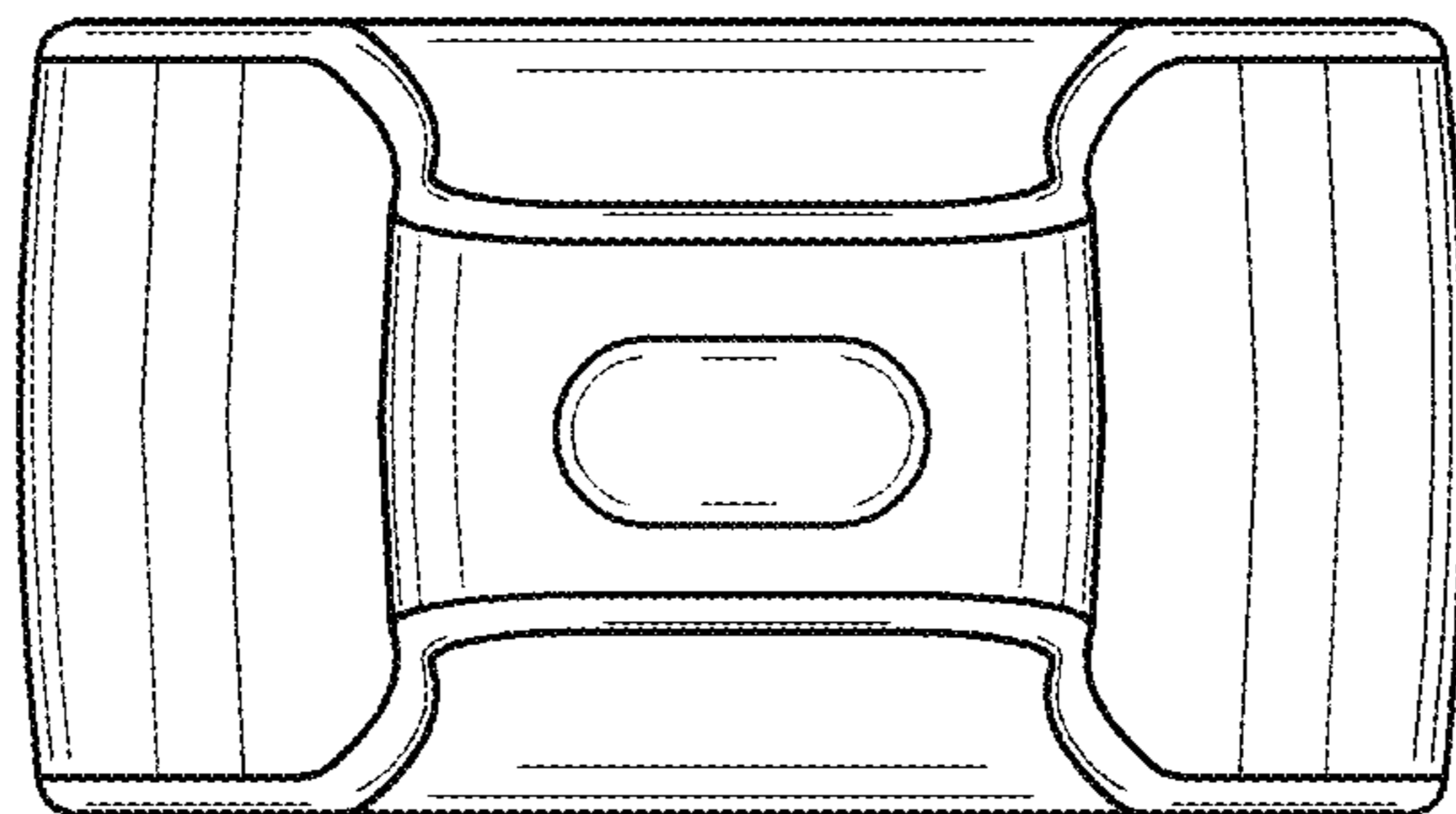


FIG. 14