



US00D828783S

(12) **United States Design Patent**
Hung et al.

(10) **Patent No.:** **US D828,783 S**

(45) **Date of Patent:** **** Sep. 18, 2018**

(54) **ZIP TEETH**

A44B 19/52; A44B 19/38; G02C 3/003;
A44H 37/06; B29C 45/14573

(71) Applicant: **IDEAL FASTENER (GUANG
DONG) INDUSTRIES LTD.**,
Zhaoqing, Guangdong Province (CN)

See application file for complete search history.

(72) Inventors: **Franklin Chi Yen Hung**, Zhaoqing
(CN); **Guoliang Qiu**, Zhaoqing (CN);
Wei Qiu, Zhaoqing (CN); **Zongjian
Lyu**, Zhaoqing (CN); **Jianan Zeng**,
Zhaoqing (CN)

(56) **References Cited**

U.S. PATENT DOCUMENTS

4,718,150	A *	1/1988	Moertel	A44B 19/04 24/427
D628,123	S *	11/2010	Kojima	D11/221
D632,218	S *	2/2011	Yamamoto	D11/221
D672,687	S *	12/2012	Himi	D11/221
8,695,178	B2 *	4/2014	Yoneshima	A44B 19/32 24/389
D731,359	S *	6/2015	Xie	D11/221
D732,424	S *	6/2015	Ng	D11/221
D740,169	S *	10/2015	Ogura	D11/221

(73) Assignee: **IDEAL FASTENER (GUANGDONG)
INDUSTRIES LTD.**, Zhaoqing (CN)

(**) Term: **15 Years**

* cited by examiner

(21) Appl. No.: **29/607,691**

Primary Examiner — Ralf T Seifert

(22) Filed: **Jun. 15, 2017**

(74) *Attorney, Agent, or Firm* — Hauptman Ham, LLP

(30) **Foreign Application Priority Data**

May 5, 2017 (CN) 2017 3 0161353

(51) **LOC (11) Cl.** **02-07**

(52) **U.S. Cl.**
USPC **D11/221**

(58) **Field of Classification Search**
USPC D11/200, 201, 221; 24/381–383,
24/385–389, 401, 414–417, 421–422,
24/426–431, 433, 434; 2/265; D2/641,
D2/642; 294/3.6; 223/118; D8/33, 34,
D8/40

CPC A44B 19/00; A44B 19/02; A44B 19/04;
A44B 19/10; A44B 19/26; A44B 19/30;
A44B 19/06; A44B 19/34; A44B 19/40;

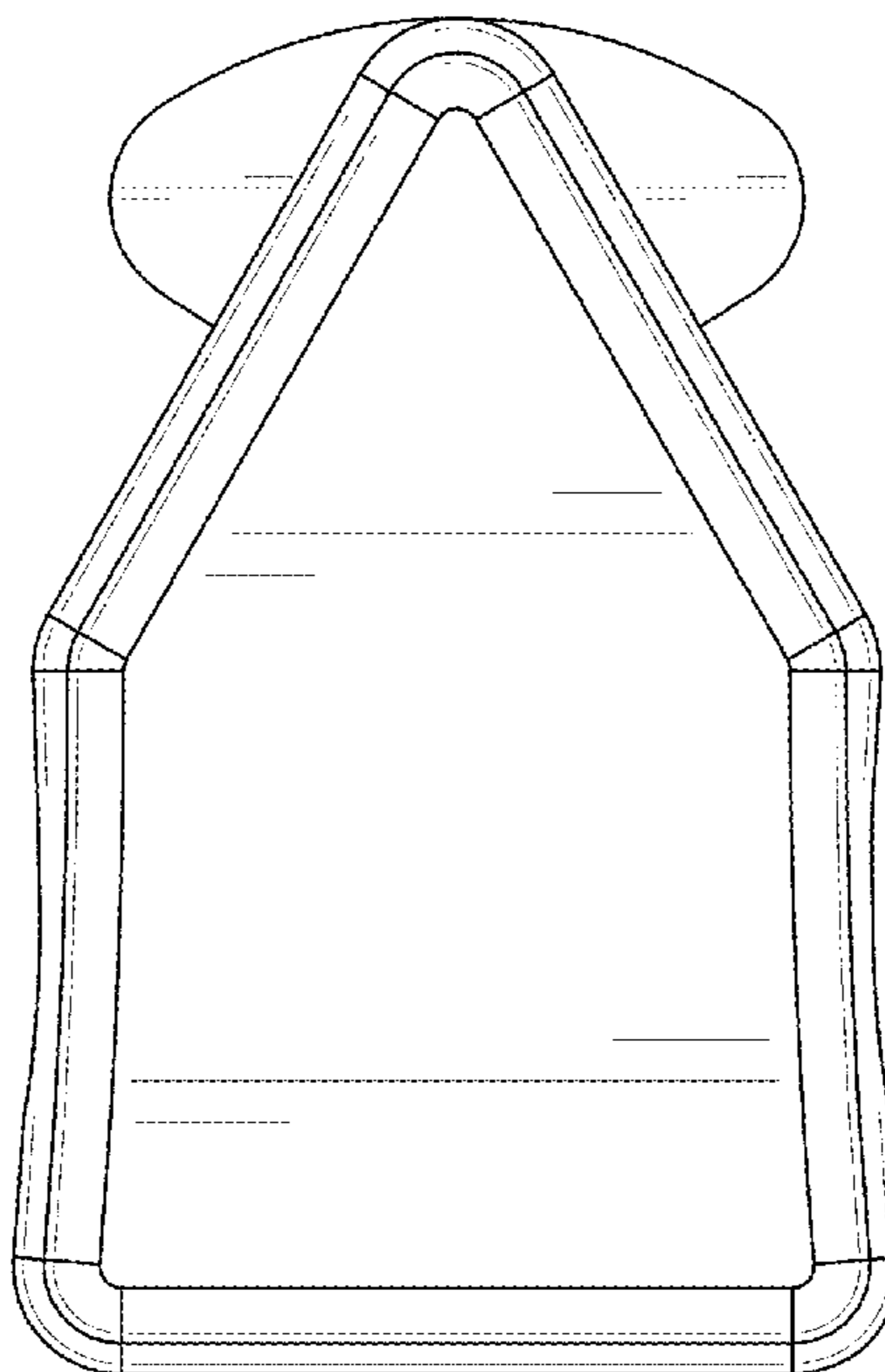
(57) **CLAIM**

A new, original, ornamental design for a zip teeth, as shown.

DESCRIPTION

FIG. 1 is a top view of a zip teeth;
FIG. 2 is a bottom view thereof;
FIG. 3 is a left side view thereof;
FIG. 4 is a right side view thereof;
FIG. 5 is a front view thereof;
FIG. 6 is a back view thereof;
FIG. 7 is a top-left-front perspective view thereof;
FIG. 8 is another top-left-front perspective view thereof;
and,
FIG. 9 is a top-right-back perspective view thereof.

1 Claim, 9 Drawing Sheets



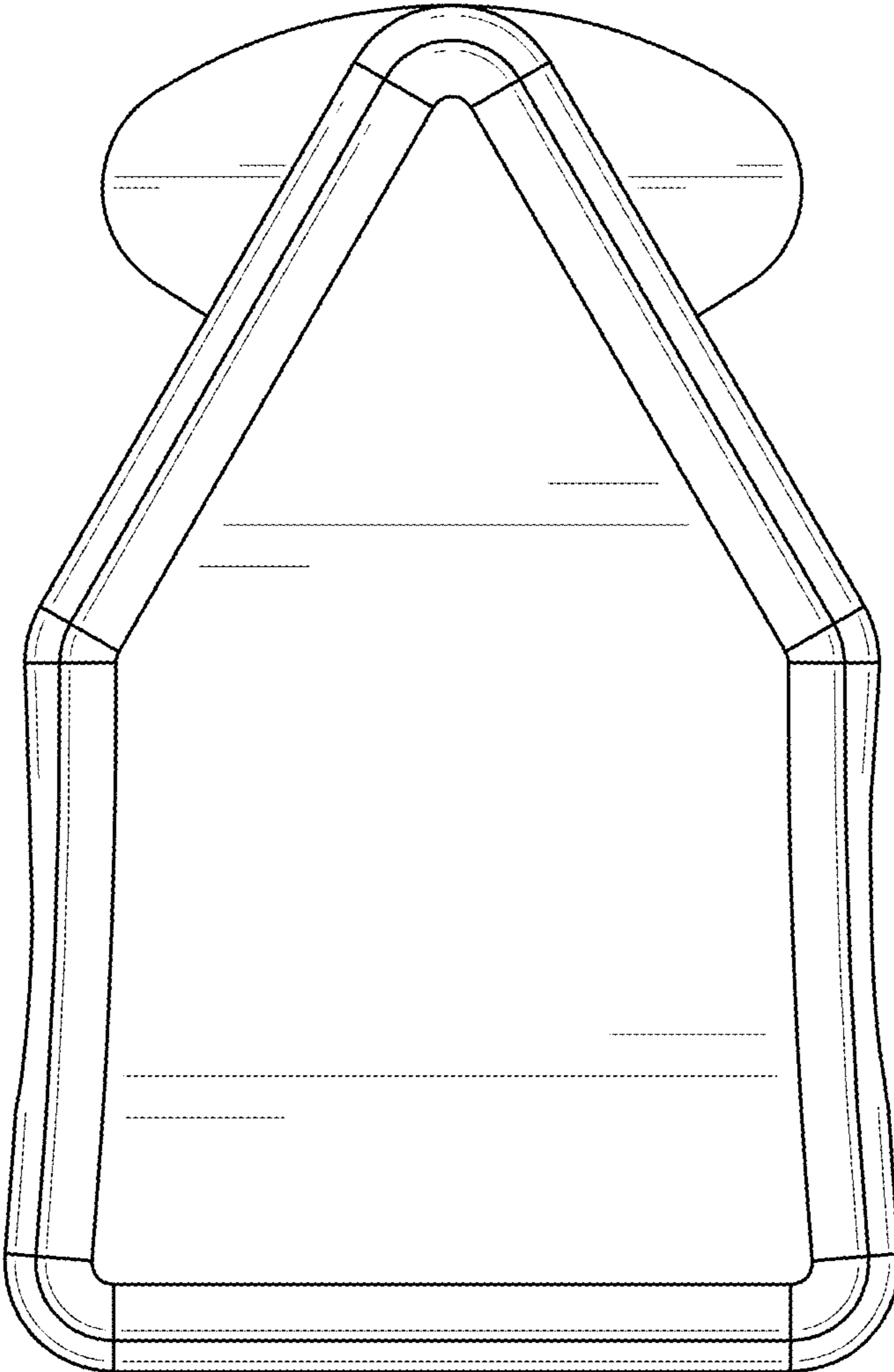


Fig. 1

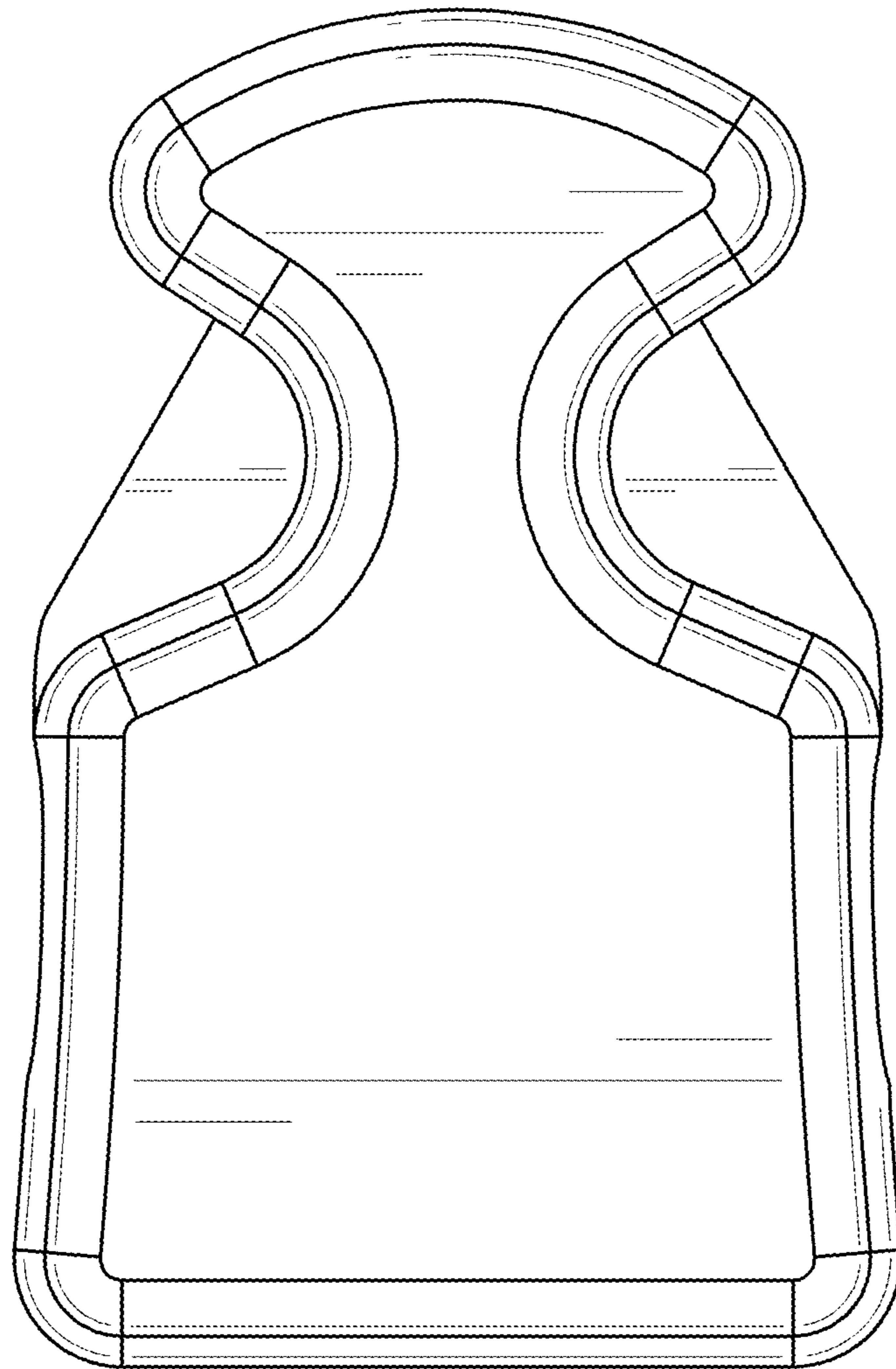


Fig. 2

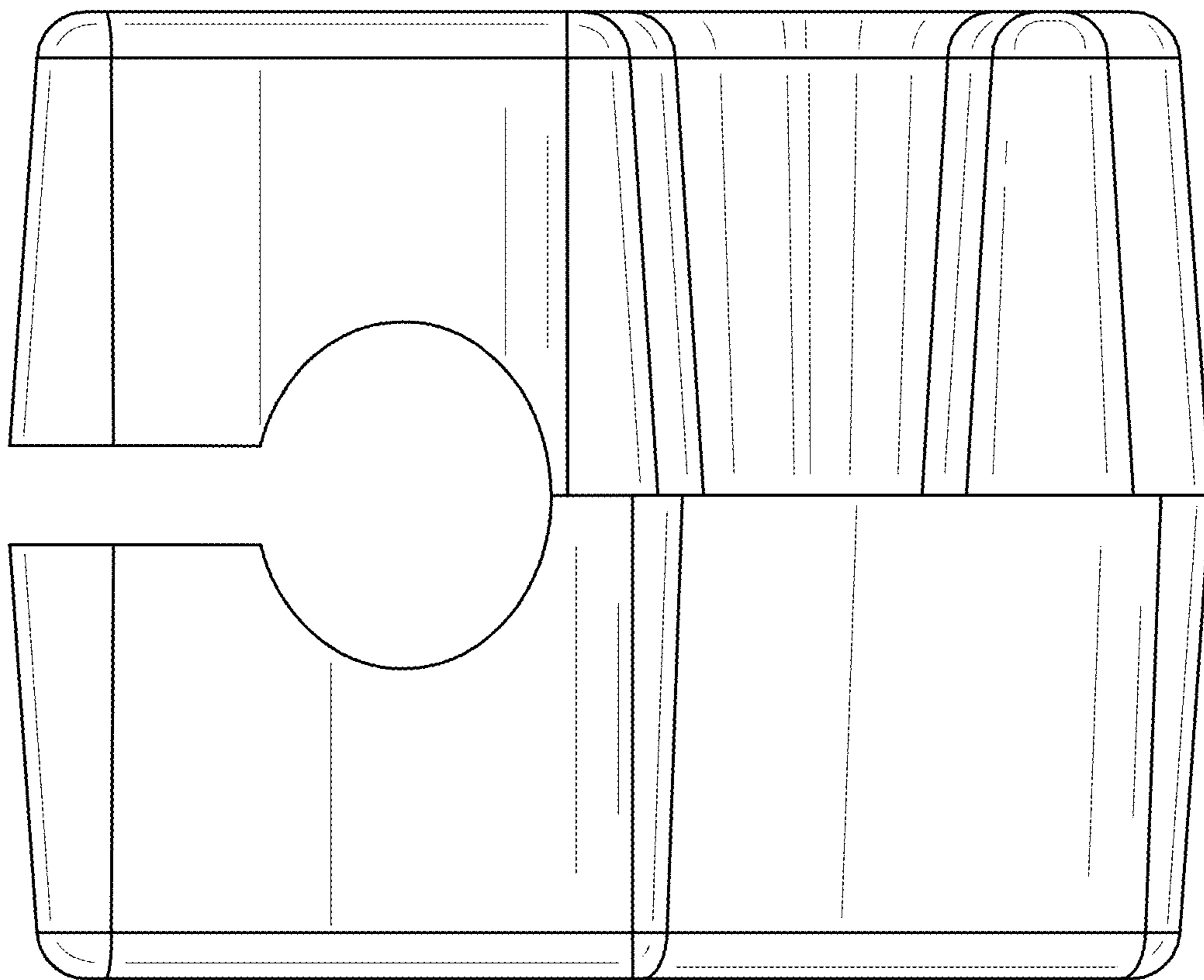


Fig. 3

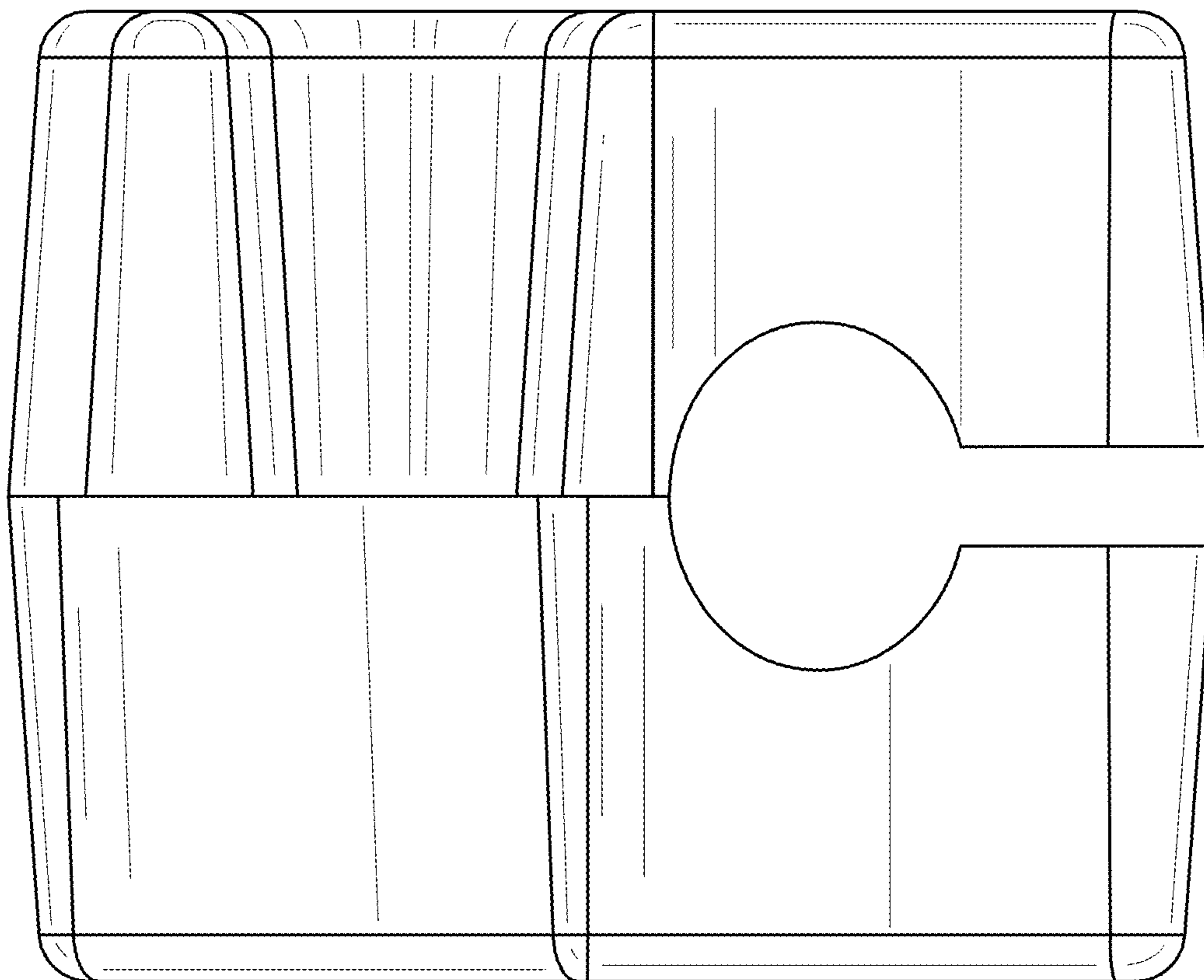


Fig. 4

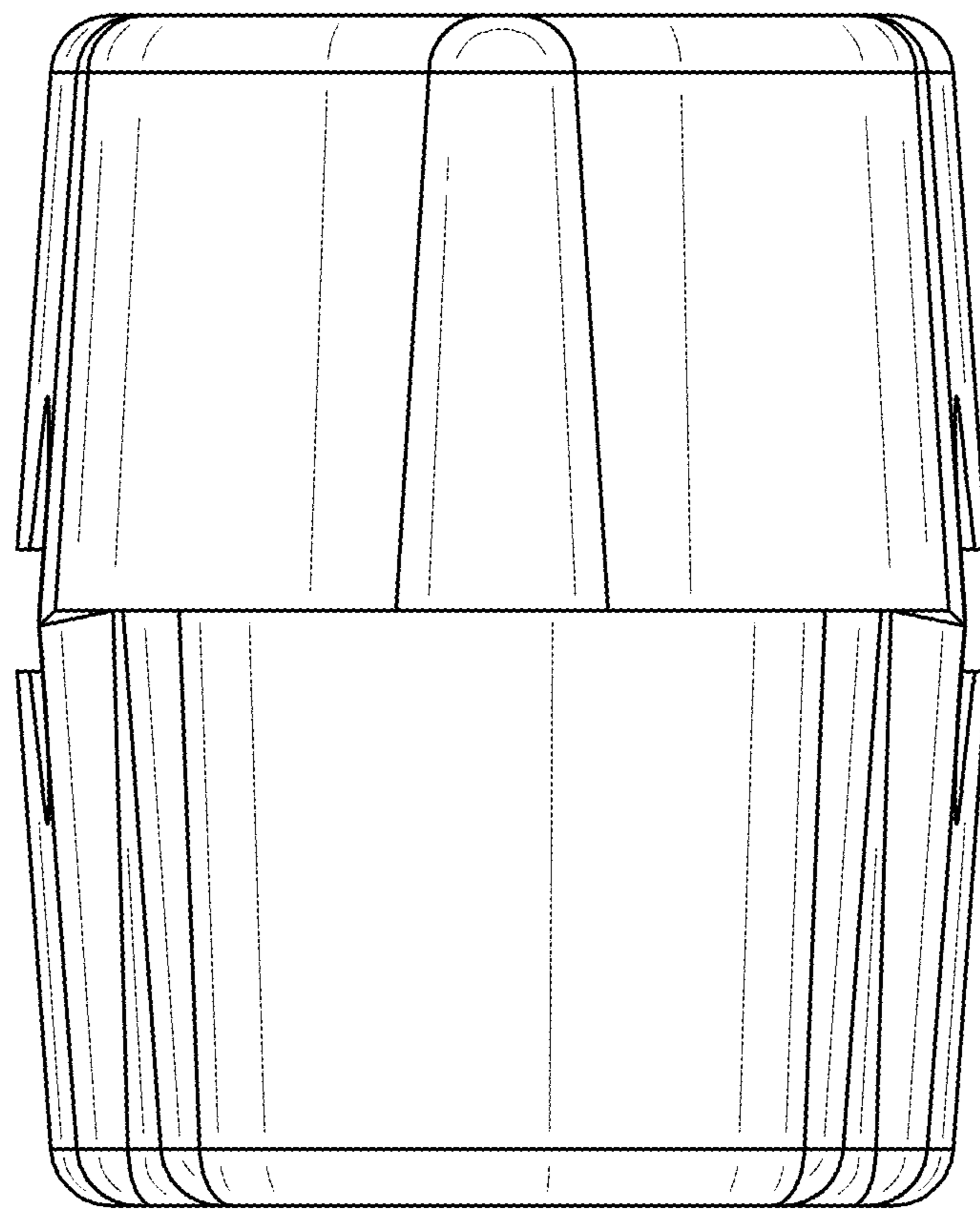


Fig. 5

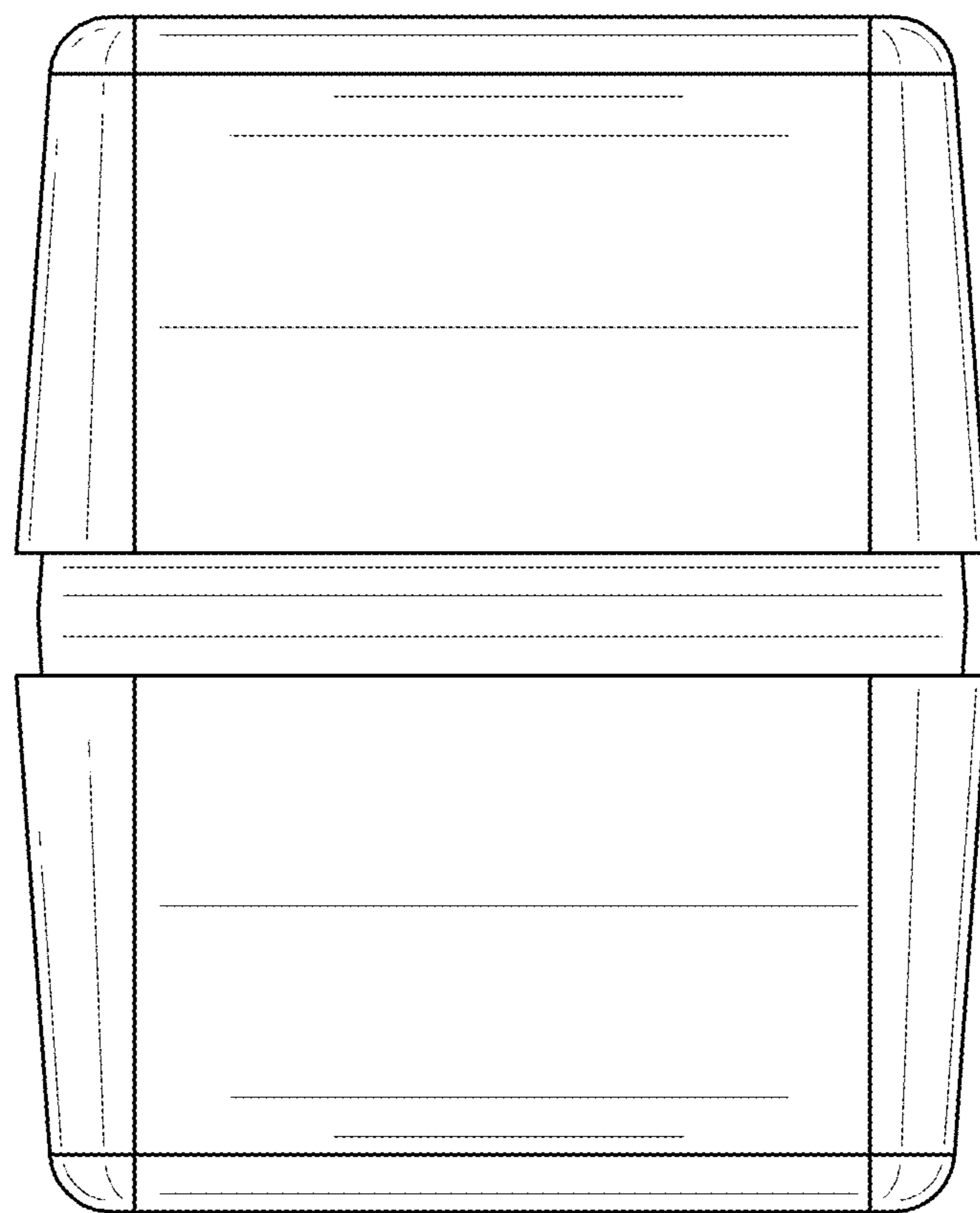


Fig. 6

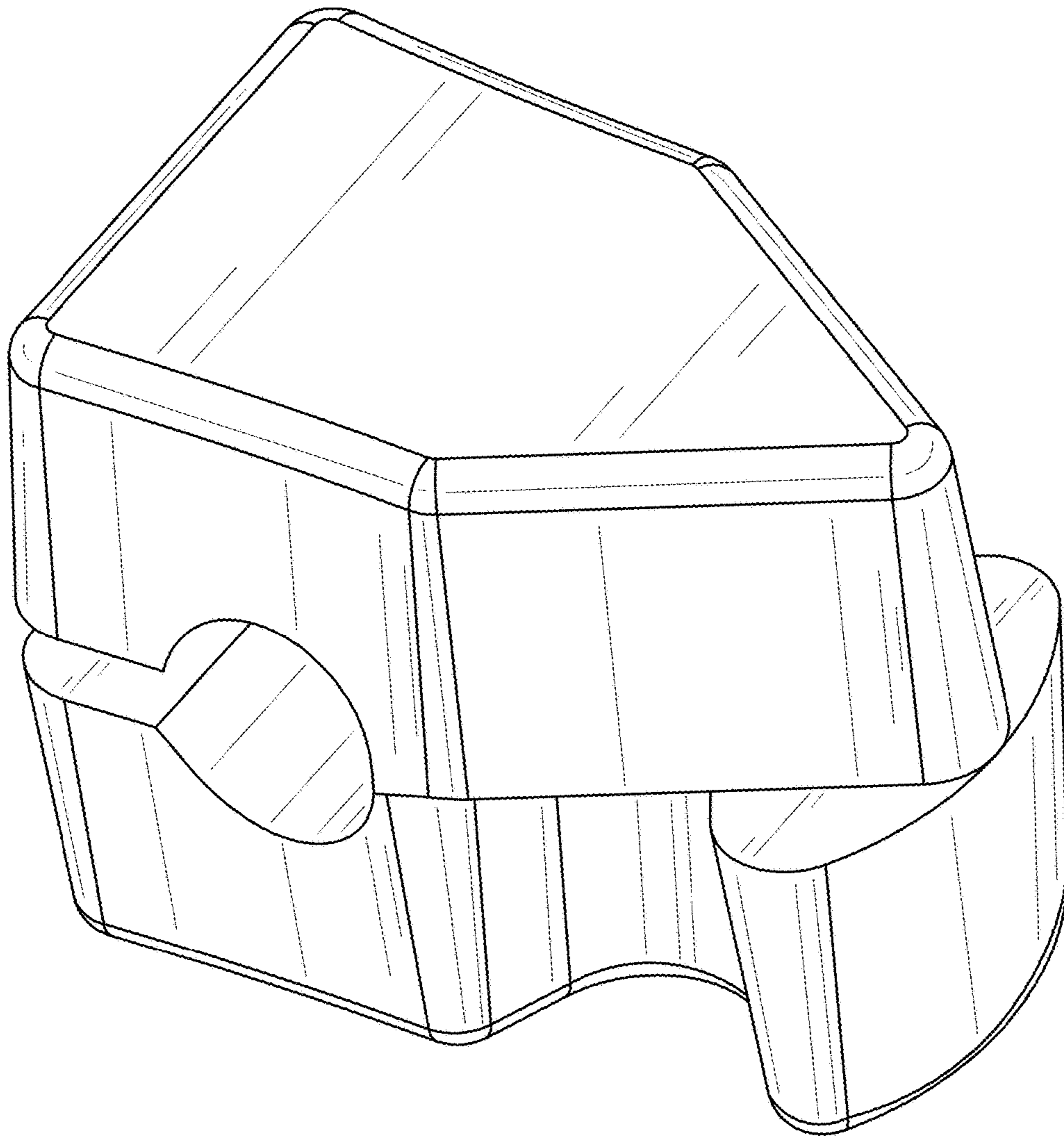


Fig. 7

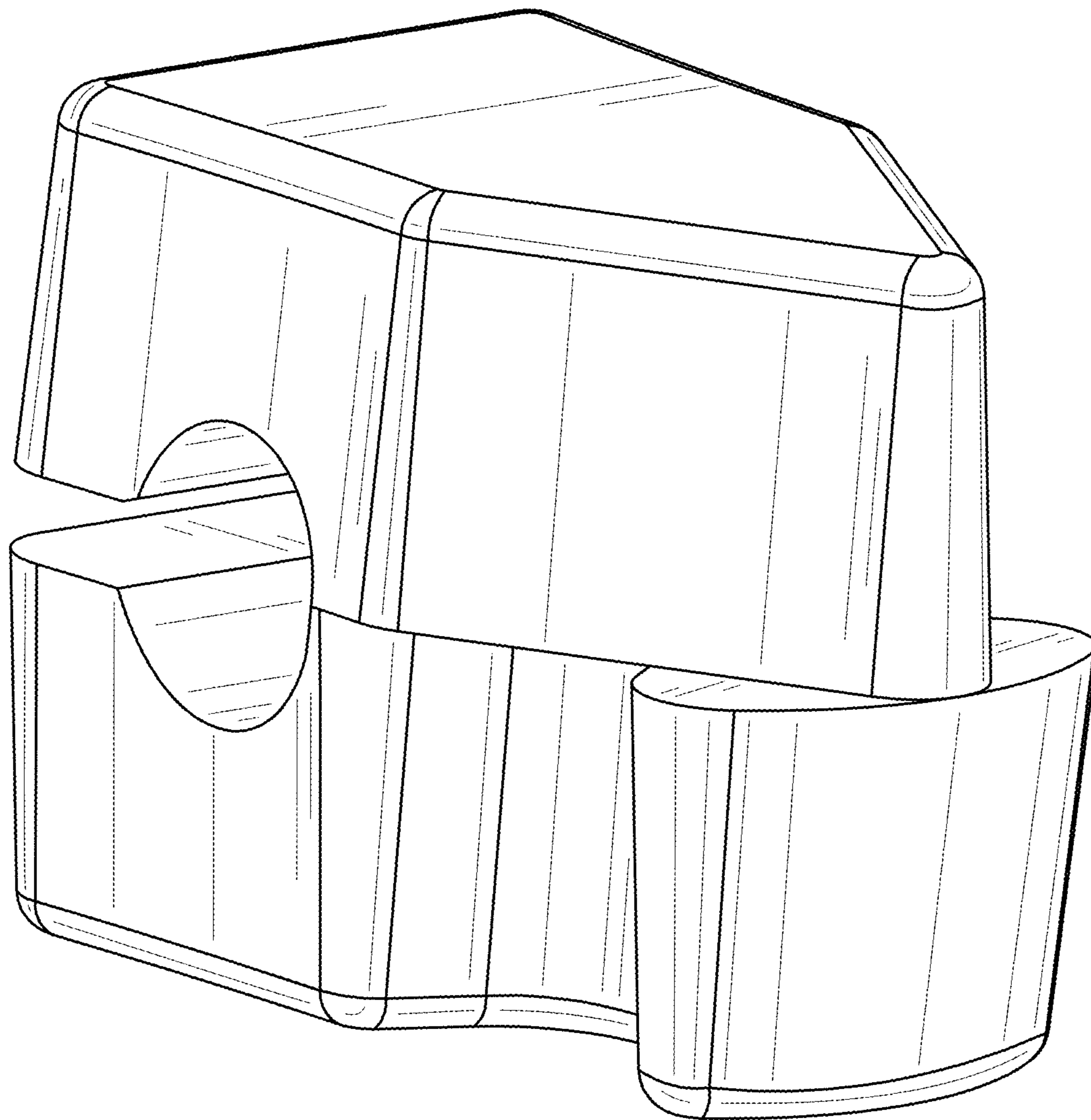


Fig. 8

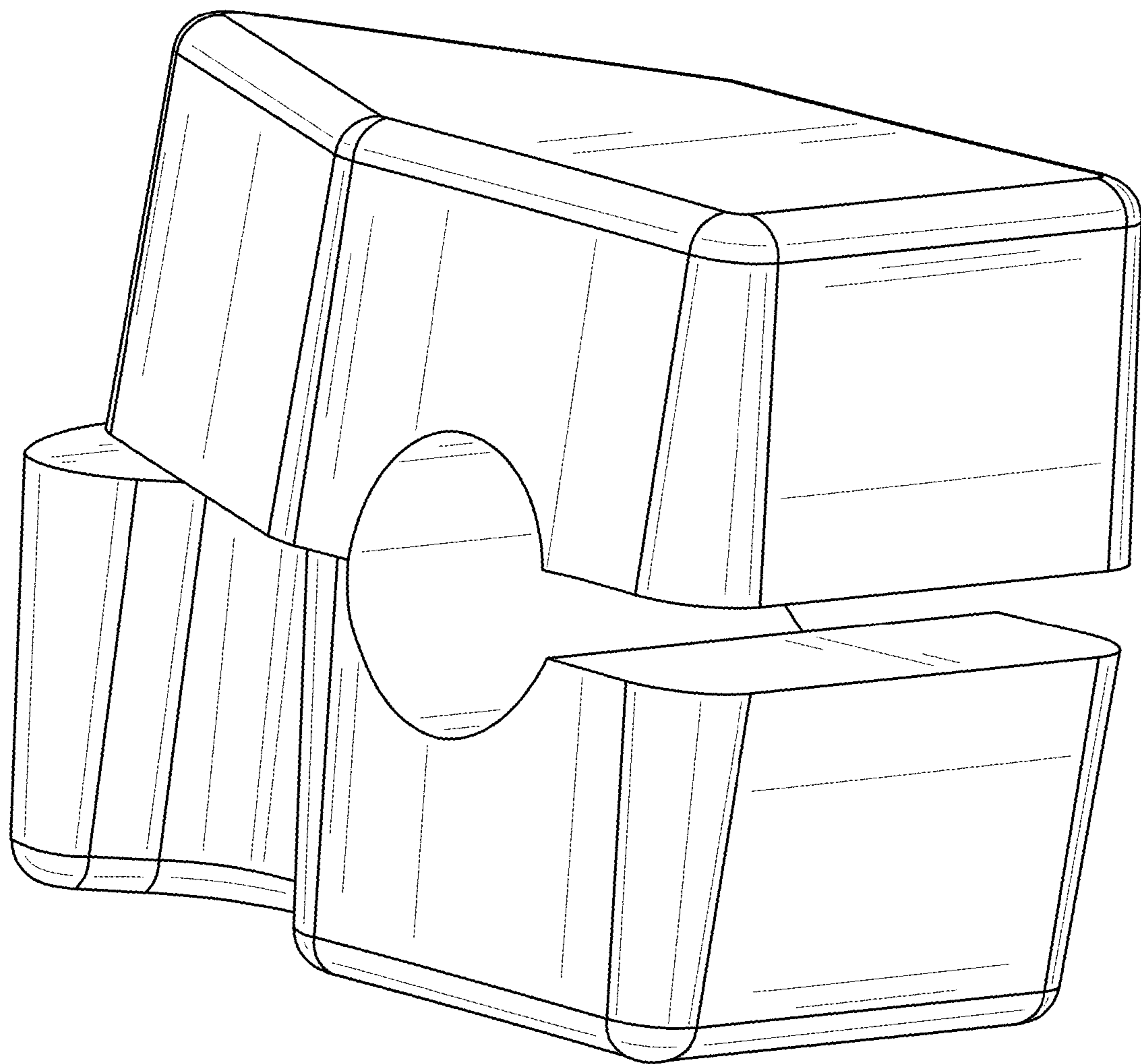


Fig. 9