



US00D828782S

(12) **United States Design Patent** (10) **Patent No.:** **US D828,782 S**  
**Watson et al.** (45) **Date of Patent:** **\*\* Sep. 18, 2018**

(54) **FLOATING DECORATION FOR AQUARIUM**

D426,432 S \* 6/2000 Saddler ..... D11/125  
D542,703 S \* 5/2007 Reibson ..... D11/128  
D771,517 S \* 11/2016 Florendo ..... D11/125

(71) Applicant: **PetSmart Home Office, Inc.**, Phoenix, AZ (US)

**OTHER PUBLICATIONS**

(72) Inventors: **Jeff Watson**, Phoenix, AZ (US); **Steve Chattin**, Scottsdale, AZ (US); **Lisa Beilke**, Peoria, AZ (US)

Top Fin, Floating Snowman Aquarium Ornament, available Jul. 19, 2018, [online], [site visited Jul. 19, 2018]. Available from internet, <URL: <https://www.amazon.com/Top-Fin-Floating-Aquarium-Ornament/dp/B078YCV59M> (Year: 2018).\*

(73) Assignee: **PETSMART HOME OFFICE, INC.**, Phoenix, AZ (US)

Disney Frozen Aquarium Ornament Olaf, available Jul. 19, 2018, [online], [site visited Jul. 19, 2018]. Available from internet, <URL: <https://www.arcatapet.com/item.cfm?cat=20933> (Year: 2018).\*

(\*\*) Term: **15 Years**

\* cited by examiner

(21) Appl. No.: **29/630,578**

*Primary Examiner* — Cathron C Brooks

*Assistant Examiner* — W. A. Teddy Falloway

(22) Filed: **Dec. 21, 2017**

(74) *Attorney, Agent, or Firm* — Fox Rothschild LLP

(51) **LOC (11) Cl.** ..... **11-02**

(57) **CLAIM**

(52) **U.S. Cl.**  
USPC ..... **D11/160**

The ornamental design for floating decoration for aquarium, as shown and described.

(58) **Field of Classification Search**

**DESCRIPTION**

USPC ..... D11/125, 124, 128, 131, 141, 157, 158, D11/160; D21/576, 587, 594, 621, 622, D21/629, 630; D30/106; 119/256, 262  
See application file for complete search history.

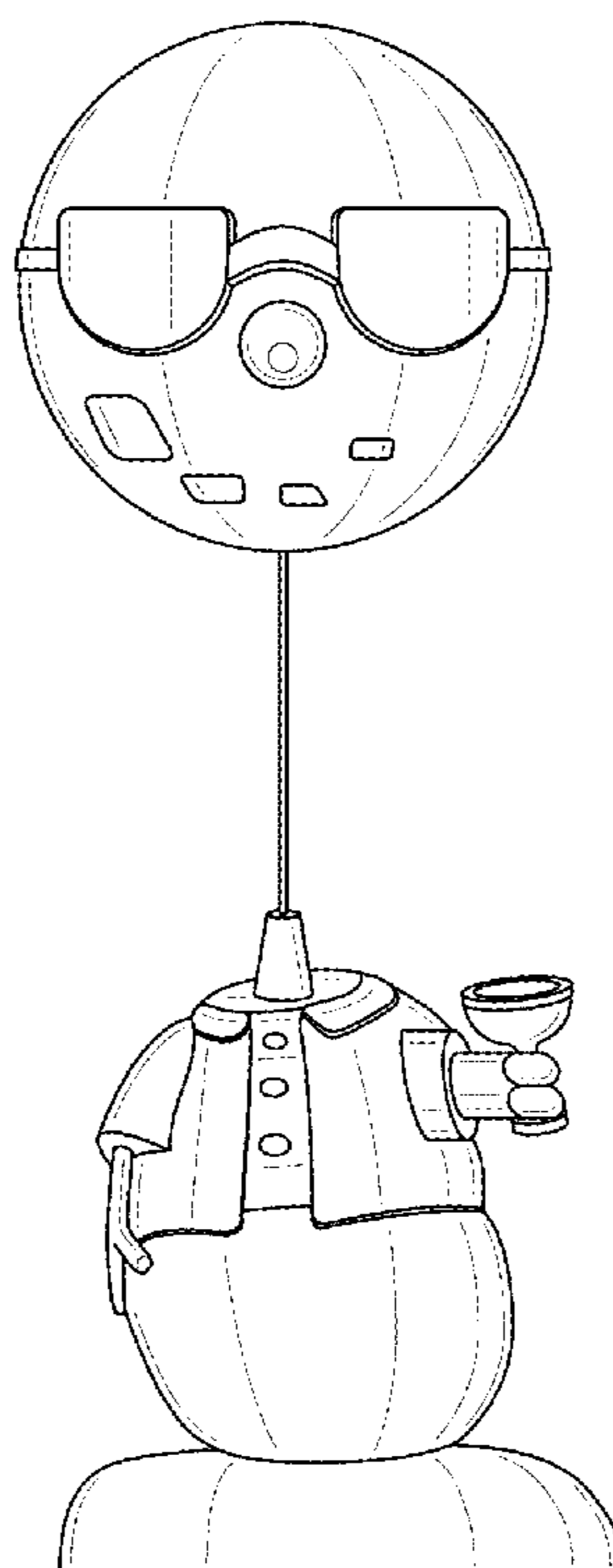
FIG. 1 is a top perspective view of the floating decoration for aquarium showing our new design;  
FIG. 2 is a bottom perspective view thereof;  
FIG. 3 is a front elevation view thereof;  
FIG. 4 is a rear elevation view thereof;  
FIG. 5 is a right-side elevation view thereof;  
FIG. 6 is a left-side elevation view thereof  
FIG. 7 is a top plan view thereof; and,  
FIG. 8 is a bottom plan view thereof.

(56) **References Cited**

**U.S. PATENT DOCUMENTS**

D208,827 S \* 10/1967 Darr ..... D11/129  
D345,435 S \* 3/1994 McLaughlin, II ..... D11/121

**1 Claim, 7 Drawing Sheets**



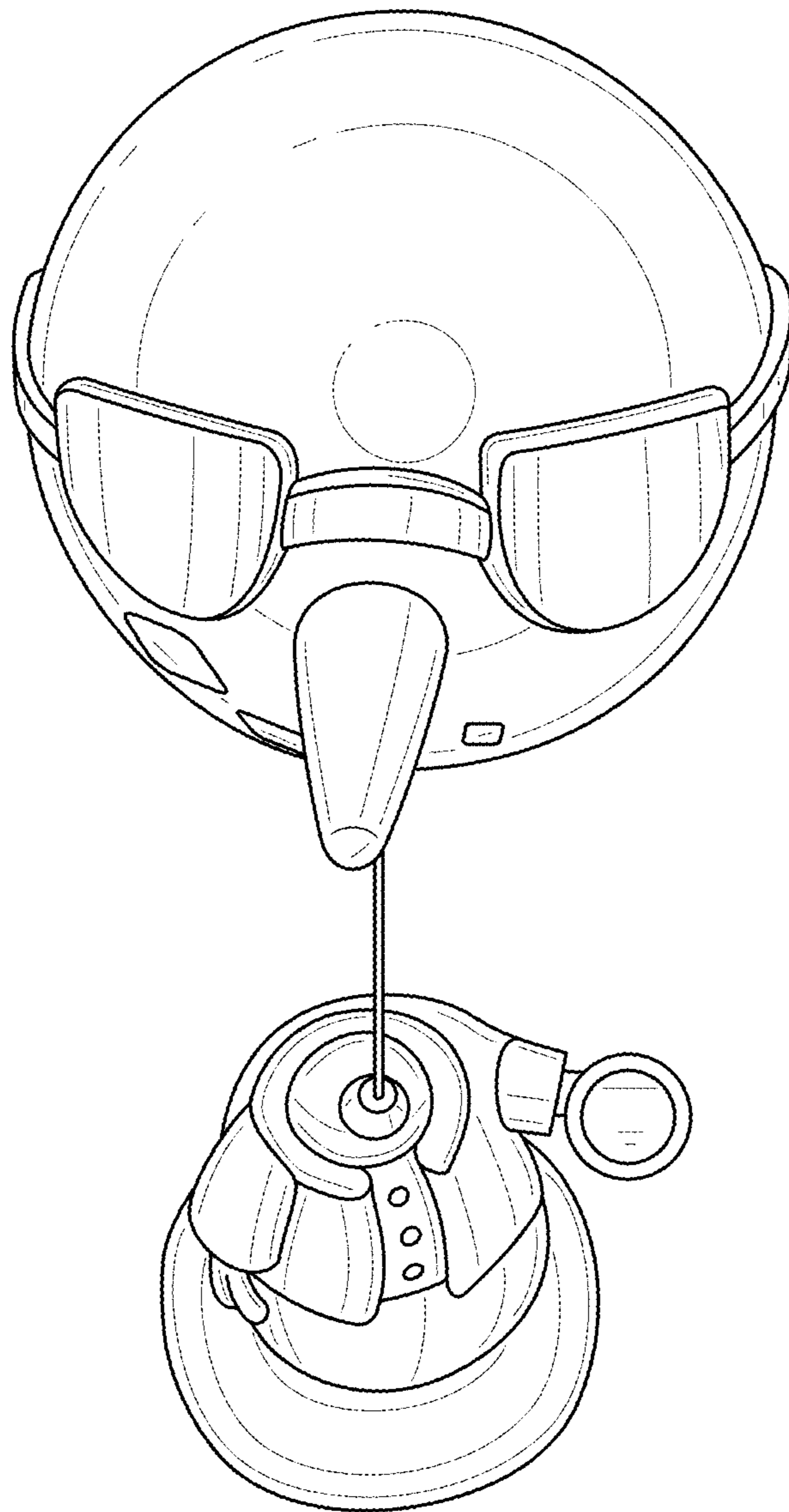


FIG. 1

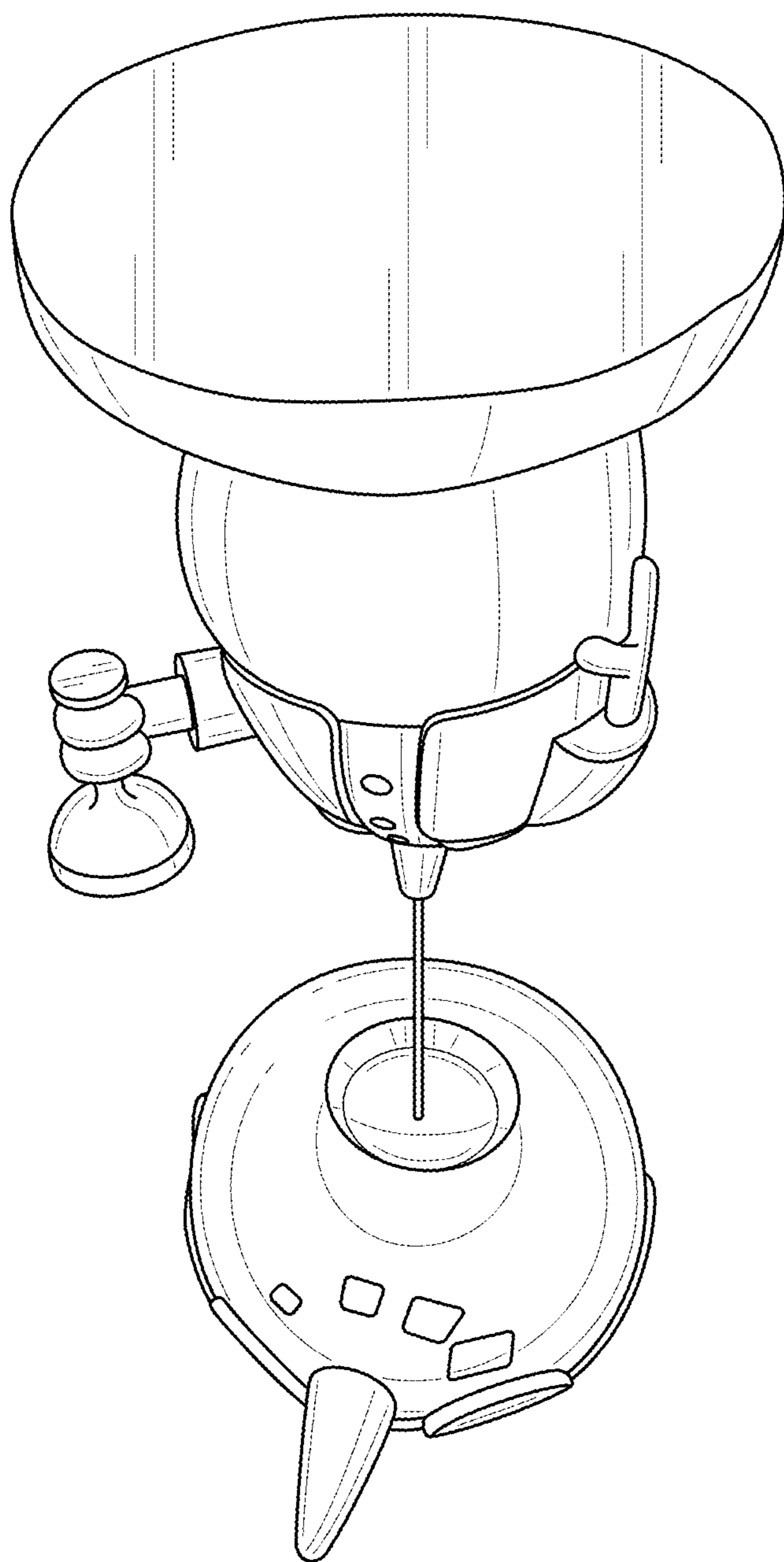


FIG. 2

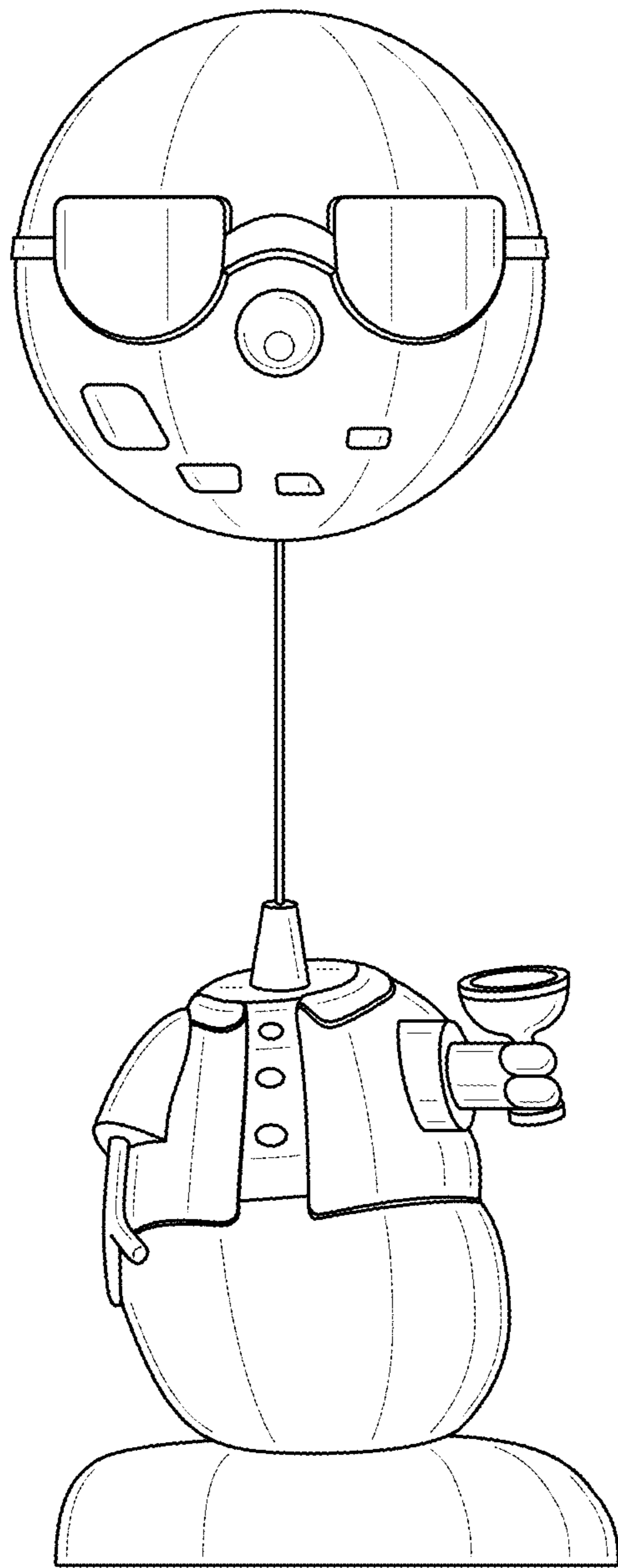


FIG. 3

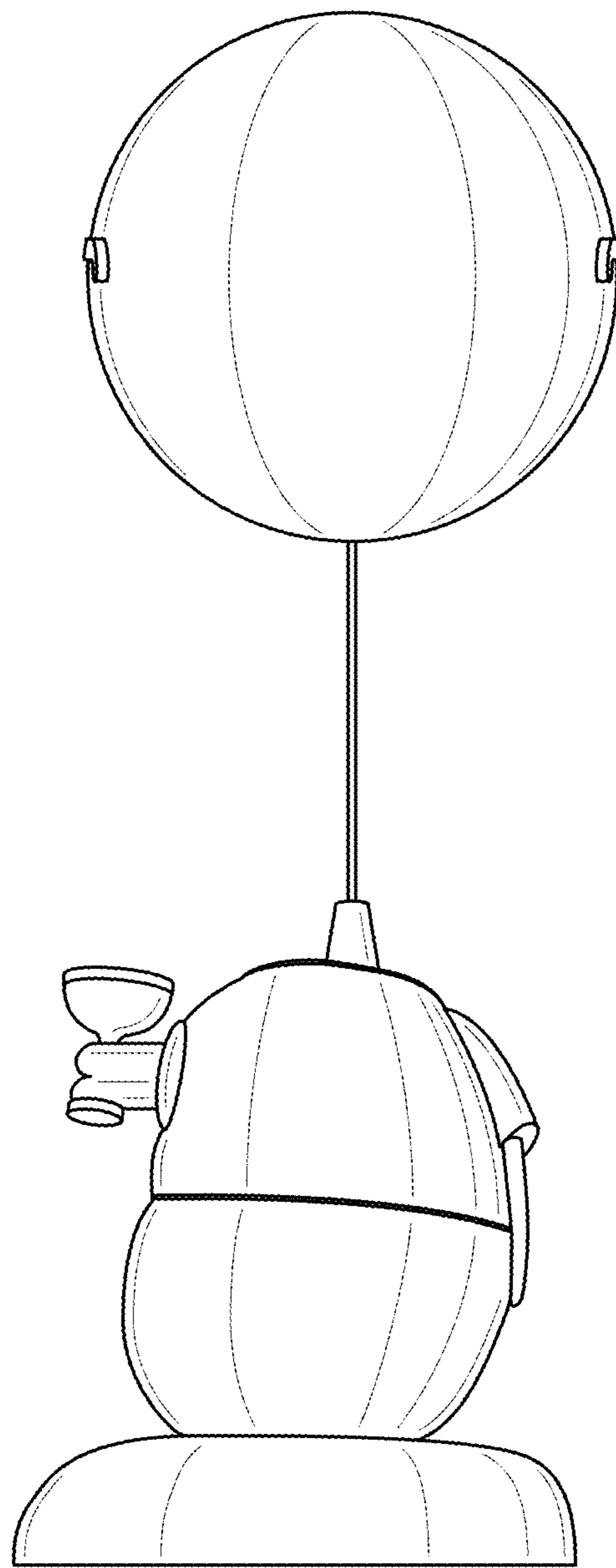


FIG. 4

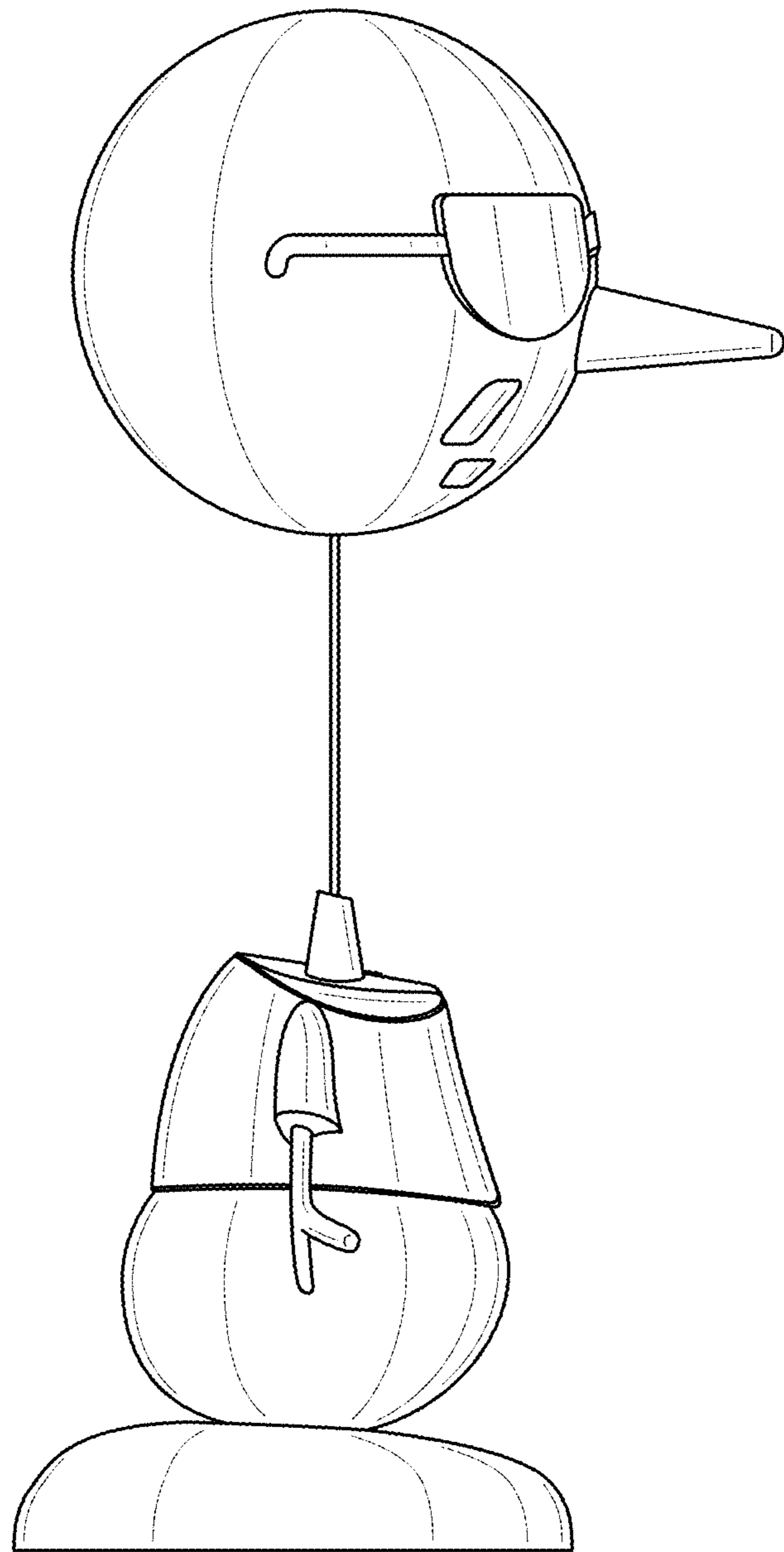


FIG. 5

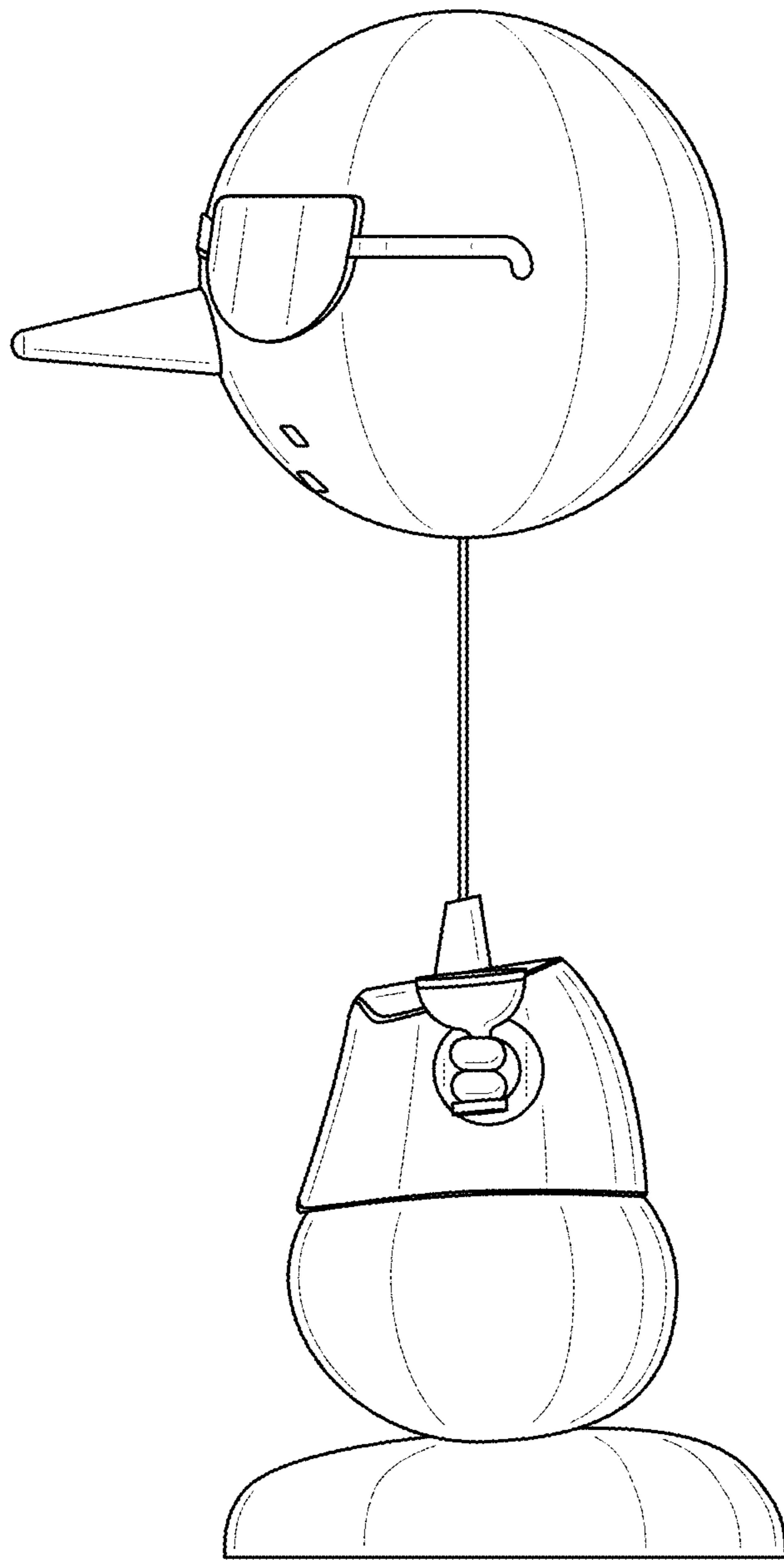


FIG. 6

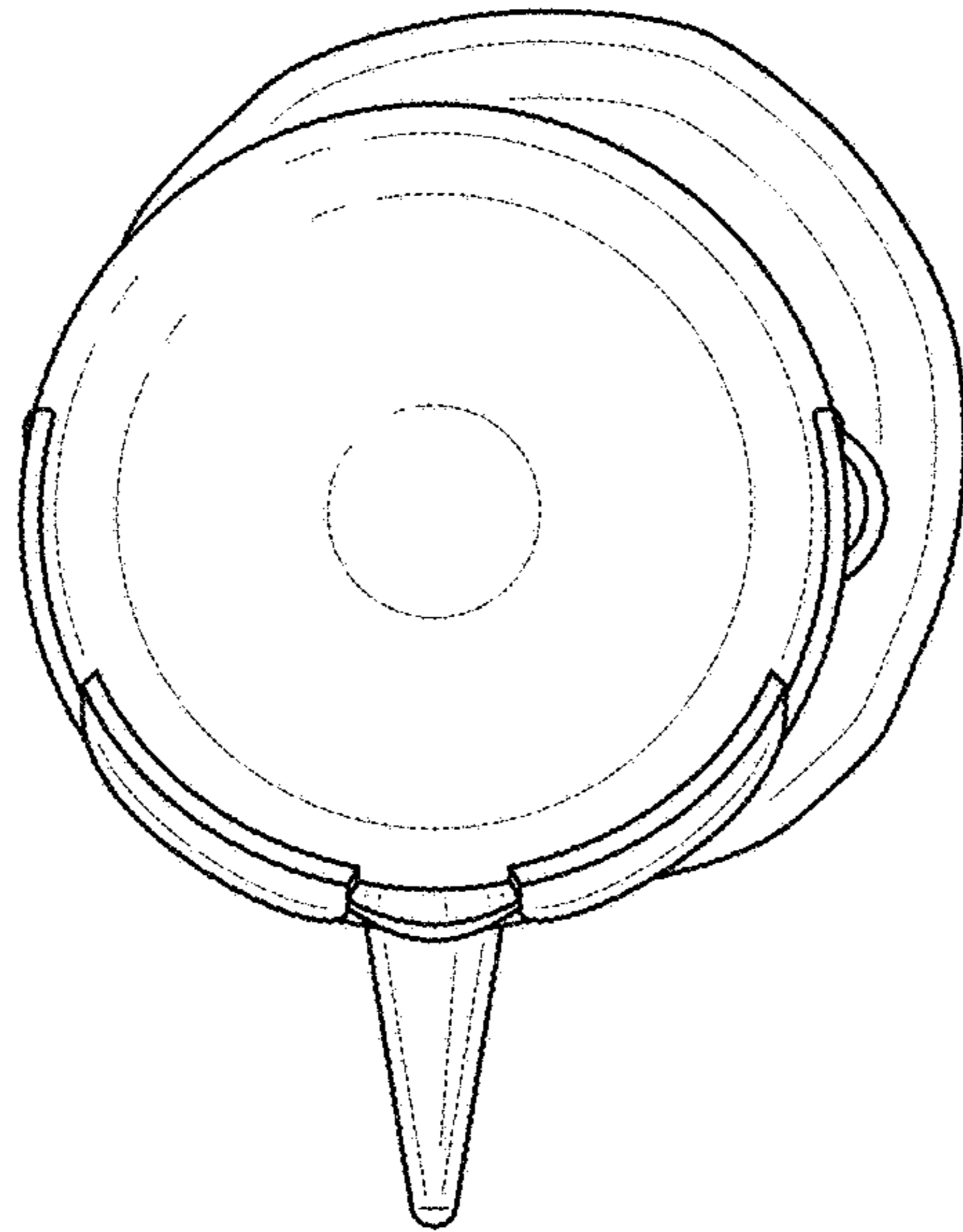


FIG. 7

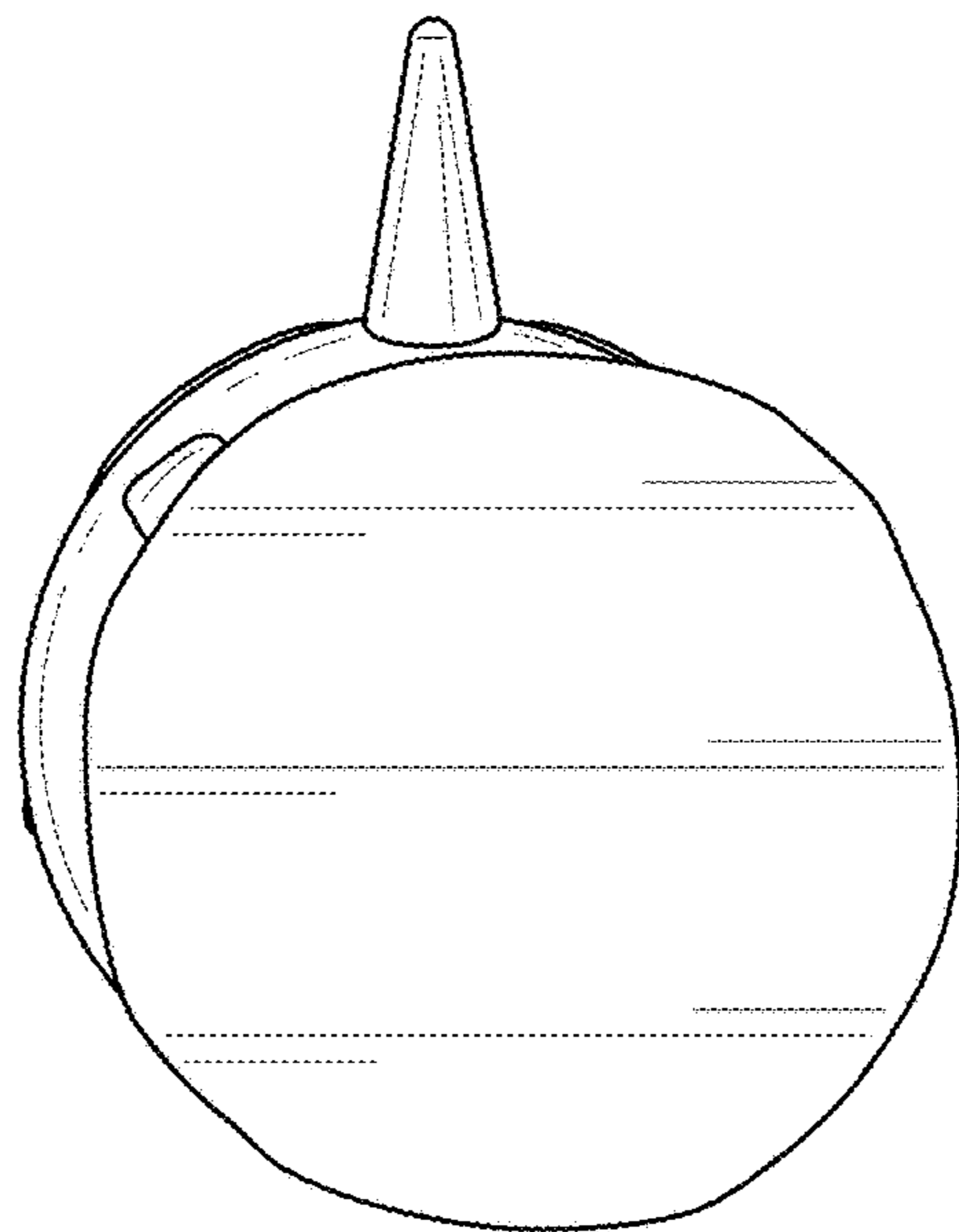


FIG. 8