



US00D828778S

(12) **United States Design Patent**  
**Buccellati**

(10) **Patent No.:** **US D828,778 S**  
(45) **Date of Patent:** **\*\* Sep. 18, 2018**

- (54) **RING**
- (71) Applicant: **BUCCELLATI HOLDING ITALIA S.P.A.**, Milan (IT)
- (72) Inventor: **Andrea Buccellati**, Milan (IT)
- (73) Assignee: **BUCCELLATI HOLDING ITALIA S.P.A.**, Milan (IT)
- (\*\*) Term: **15 Years**
- (21) Appl. No.: **29/571,247**
- (22) Filed: **Jul. 15, 2016**
- (30) **Foreign Application Priority Data**  
Jan. 19, 2016 (EM) ..... 002950618
- (51) **LOC (11) Cl.** ..... **11-01**
- (52) **U.S. Cl.**  
USPC ..... **D11/26**
- (58) **Field of Classification Search**  
USPC ... D11/1-4, 7, 8, 16, 17, 20, 22, 24, 26, 28, D11/29, 34, 35, 36, 37, 38, 39; D28/39-43  
CPC ... A44C 9/0007; A44C 9/0015; A44C 9/0023; A44C 9/0046; A44C 13/00; A44C 17/0225; A44C 17/0208; A44C 17/0241  
See application file for complete search history.

- D680,022 S \* 4/2013 Parvex ..... D11/34
- D703,084 S \* 4/2014 Parvex ..... D11/1
- D721,003 S \* 1/2015 Yatsugi-Kang ..... D11/34
- D734,198 S \* 7/2015 Greppi ..... D11/84
- D743,831 S \* 11/2015 Yatsugi-Kang ..... D11/34
- D781,740 S \* 3/2017 Yatsugi-Kang ..... D11/79

**OTHER PUBLICATIONS**

Buccellati 18K Yellow Gold & Mother of Pearl Ring (available online) Retrieved from the internet Sep. 21, 2017, retrieved from the URL: [https://www.truefacet.com/18kyellowgoldmotherofpearlbuccellatiring.html?cl\\_vend=google&cl\\_ch=shopping&cl\\_camp=629952449&cl\\_adg=29072712481&cl\\_crtv=118638153361&cl\\_kw=&cl\\_pub=google.\\*](https://www.truefacet.com/18kyellowgoldmotherofpearlbuccellatiring.html?cl_vend=google&cl_ch=shopping&cl_camp=629952449&cl_adg=29072712481&cl_crtv=118638153361&cl_kw=&cl_pub=google.*)

Buccellati-metallic-ring-with-diamonds (available online) Retrieved from the internet Sep. 21, 2017, retrieved from the URL: [https://cdn.lyst.it.com/200/250/tr/photos/95d92015/10/27/buccellatimetallicingwithdiamondsinwhitegoldproduct4336030201normal.jpeg.\\*](https://cdn.lyst.it.com/200/250/tr/photos/95d92015/10/27/buccellatimetallicingwithdiamondsinwhitegoldproduct4336030201normal.jpeg.*)

(Continued)

*Primary Examiner* — Kevin K Rudzinski  
*Assistant Examiner* — Richard Kearney  
(74) *Attorney, Agent, or Firm* — King & Schickli, PLLC

(57) **CLAIM**

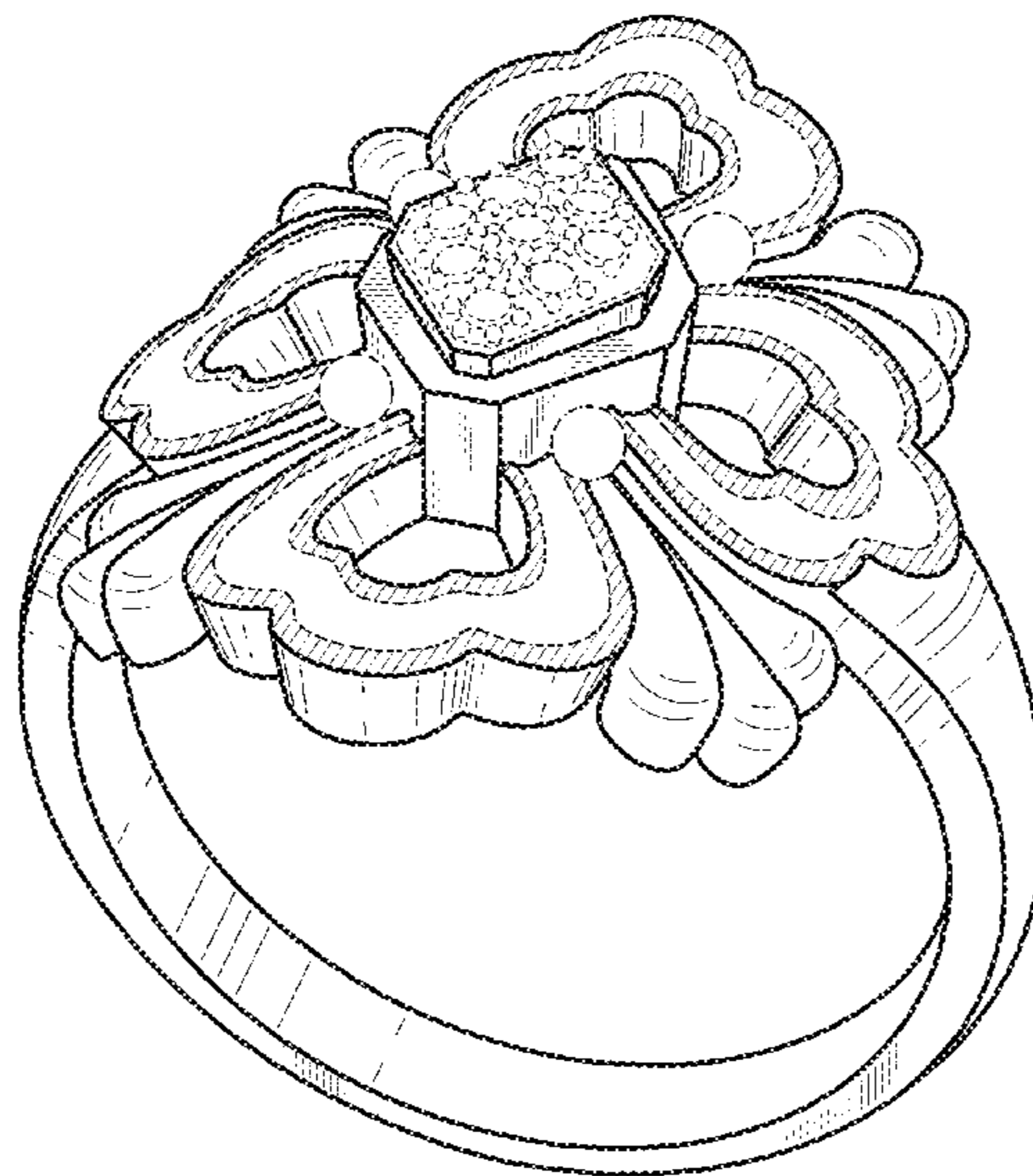
The ornamental design for ring, as shown and described.

**DESCRIPTION**

FIG. 1 is a perspective view of a ring, showing my new design;  
FIG. 2 is a front view thereof;  
FIG. 3 is a rear view thereof;  
FIG. 4 is a left side view thereof;  
FIG. 5 is a right side view thereof;  
FIG. 6 is a top view thereof; and,  
FIG. 7 is a bottom view thereof.  
The broken lines shown in the drawings illustrate portions of the ring that form no part of the claimed design.

**1 Claim, 7 Drawing Sheets**

- (56) **References Cited**  
**U.S. PATENT DOCUMENTS**  
D44,796 S \* 10/1913 Mountford ..... 63/26  
D49,737 S \* 10/1916 Caspary ..... 63/3  
D69,286 S \* 1/1926 Robbins ..... D11/34  
D69,287 S \* 1/1926 Robbins ..... D11/34  
D170,126 S \* 8/1953 Katz ..... D11/16  
D226,447 S \* 3/1973 Maplewood ..... D11/34  
D427,538 S \* 7/2000 Kern ..... D11/26



(56)

**References Cited**

OTHER PUBLICATIONS

Buccellati-metallic-eternelle-band-ring-with-diamonds (available online) Retrieved from the internet Sep. 21, 2017, retrieved from the URL: <https://cdnb.lyst.it.com/200/250/tr/photos/f5152015/10/27/buccellatimetallceternellebandringwithdiamondsinwhitegoldproduct1346846762normal.jpeg>.\*

Buccellati—Photos Facebook (available online Dec. 1, 2016) Retrieved from the internet Sep. 21, 2017, retrieved from the URL: <https://www.facebook.com/BuccellatiMilan/photos/a.1312812735427827.1073741882.182058338503278/1312812788761155/?type=3&theater>.\*

Hand Drawing Pattern Tile Black White Stock Vector 563490076 (available online) Retrieved from the internet Oct. 27, 2017, retrieved from the URL: <https://www.shutterstock.com/image-vector/hand-drawing-pattern-tile-black-white-563490076>.\*

Boton Marble Waterjet Pattern (available online) Retrieved from the internet Oct. 27, 2017, retrieved from the URL: <https://www.pinterest.co.uk/pin/568509152935074715/?autologin=true>.\*

\* cited by examiner

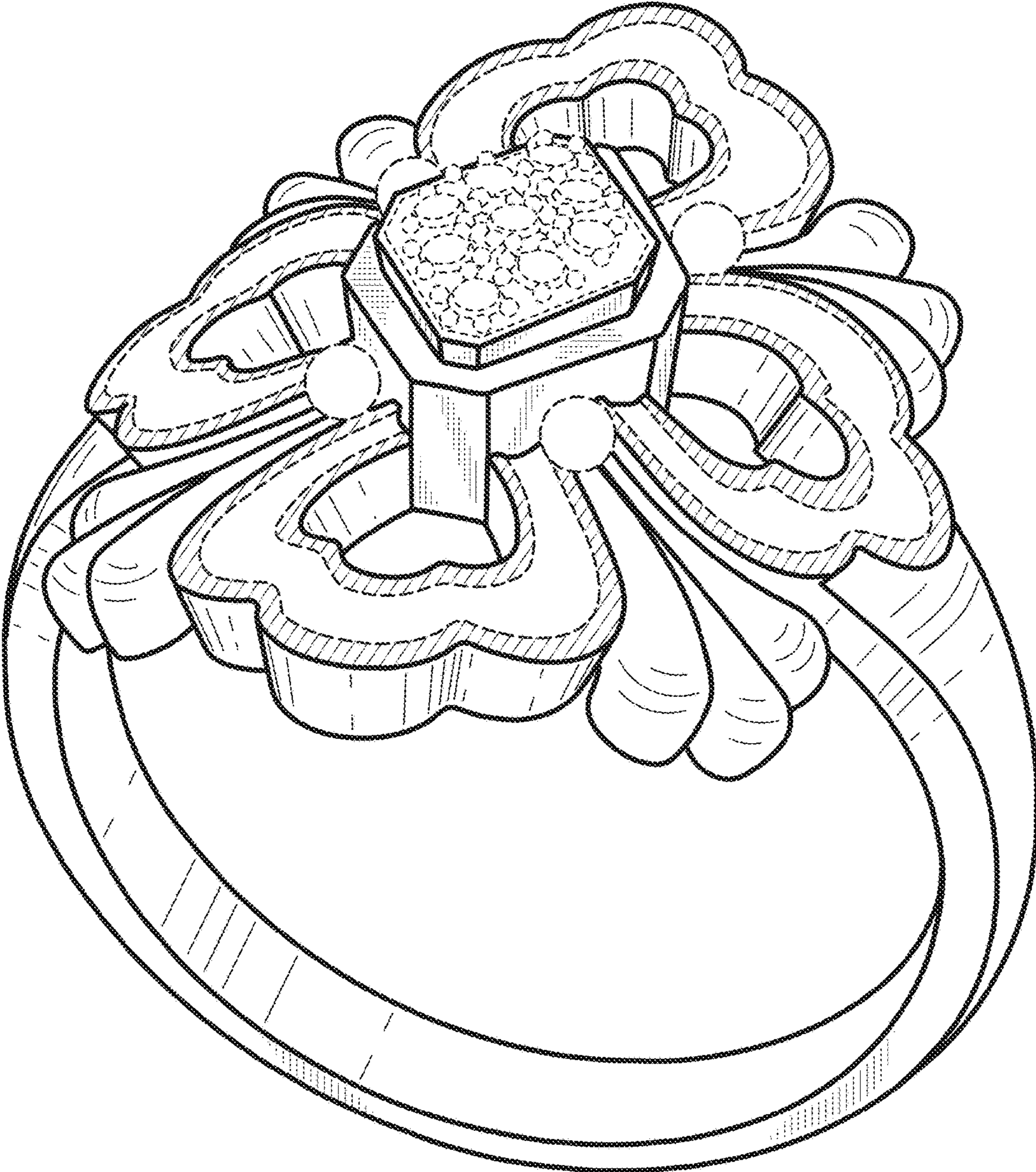


FIG. 1

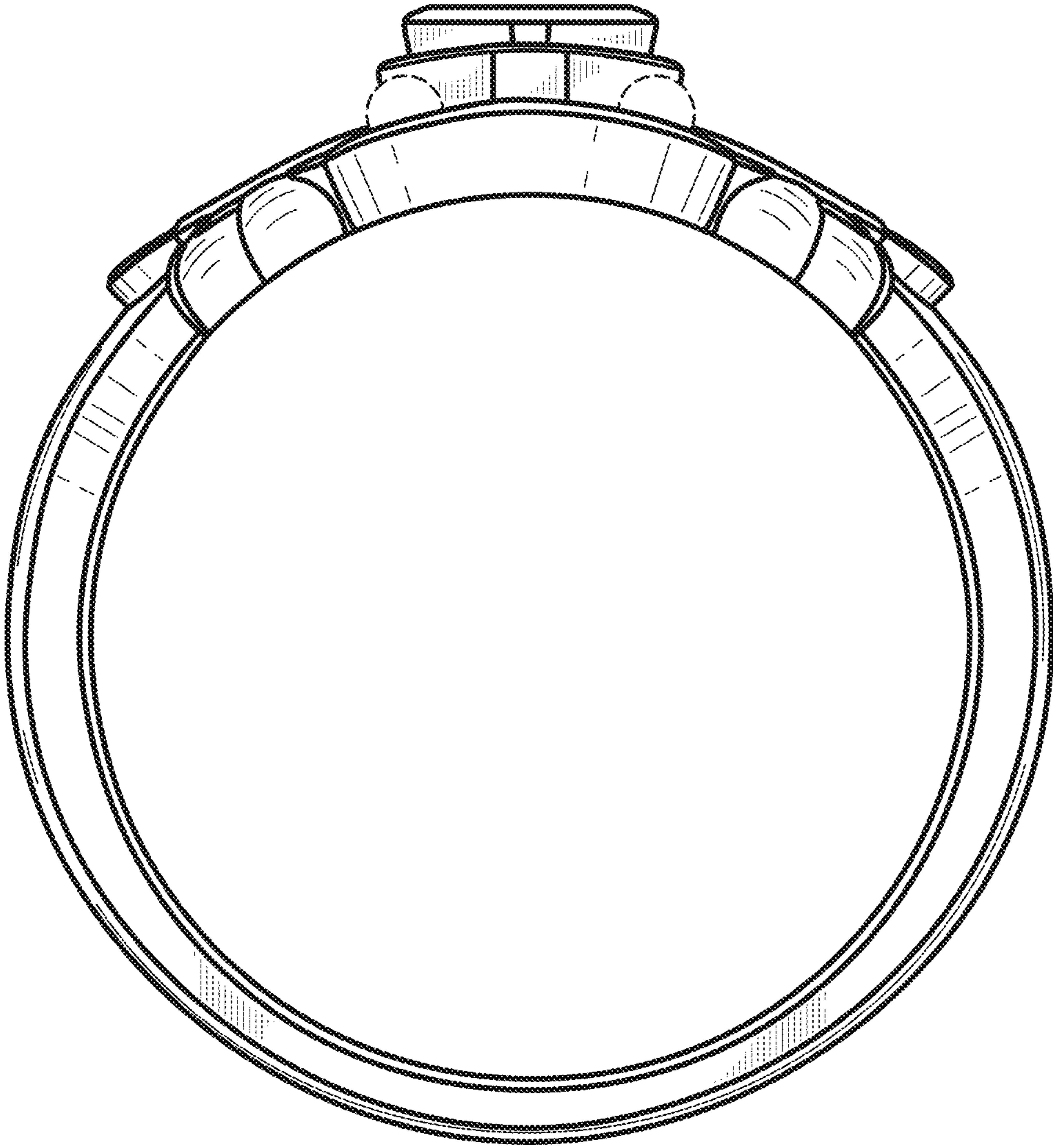


FIG. 2

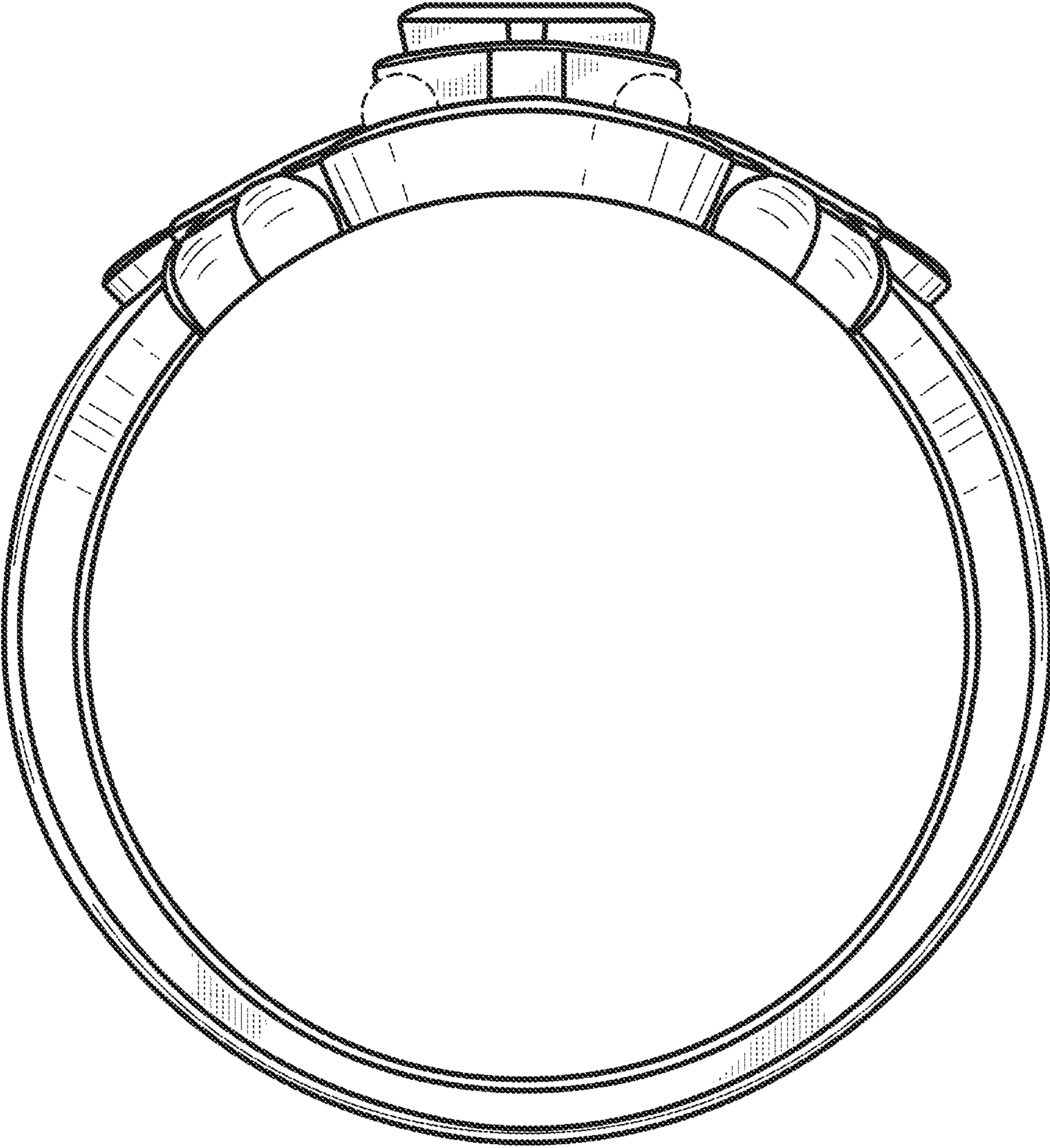


FIG. 3

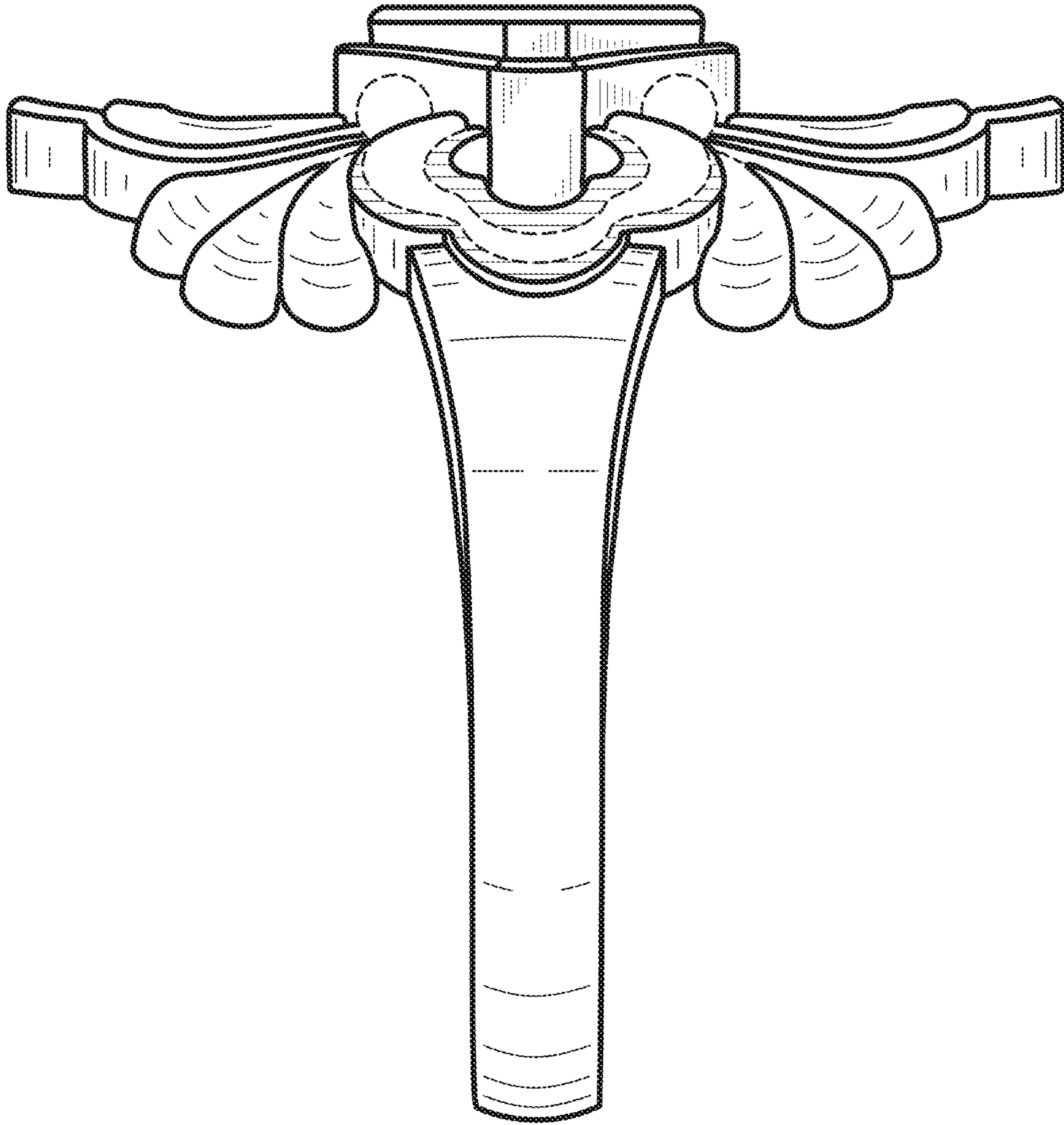


FIG. 4

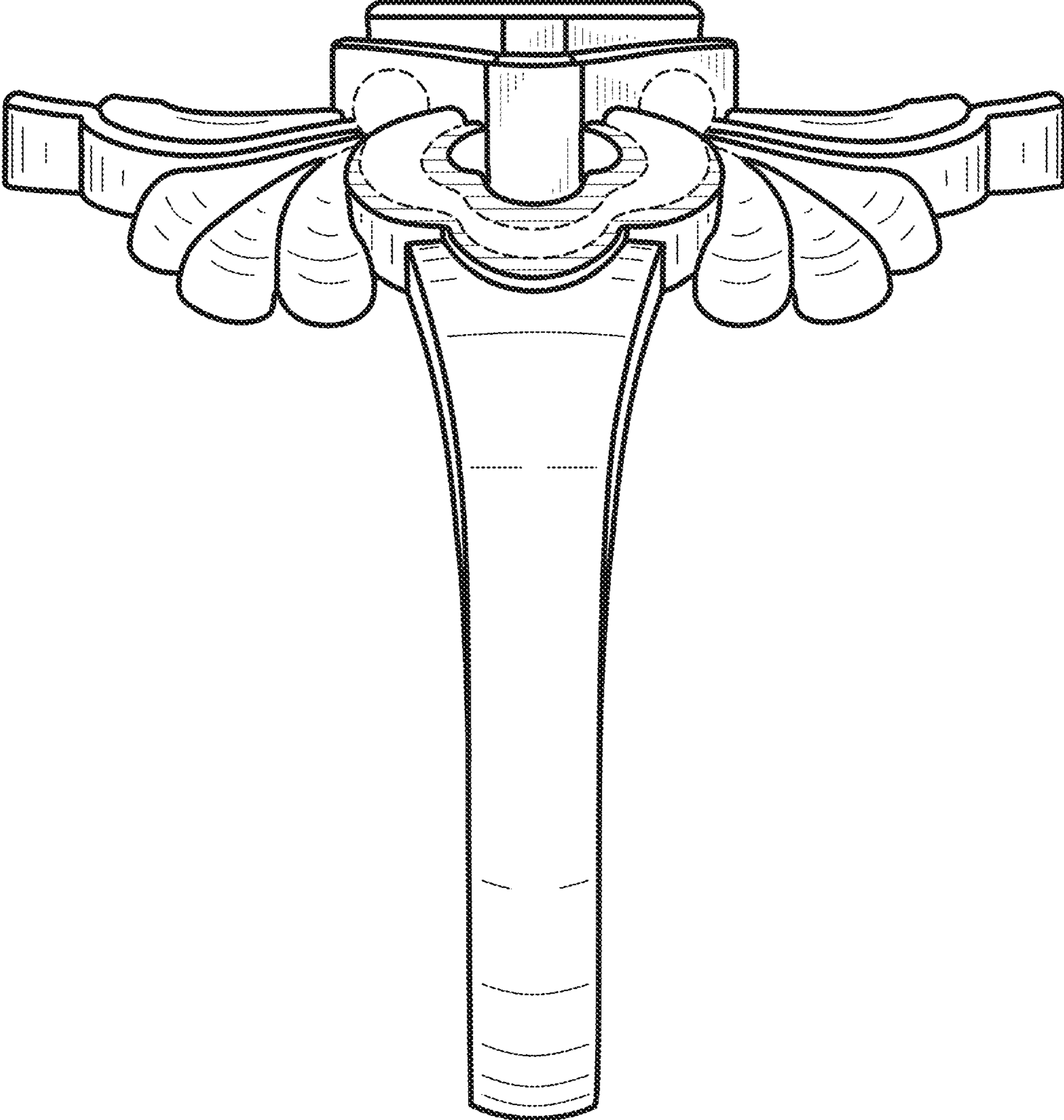


FIG. 5

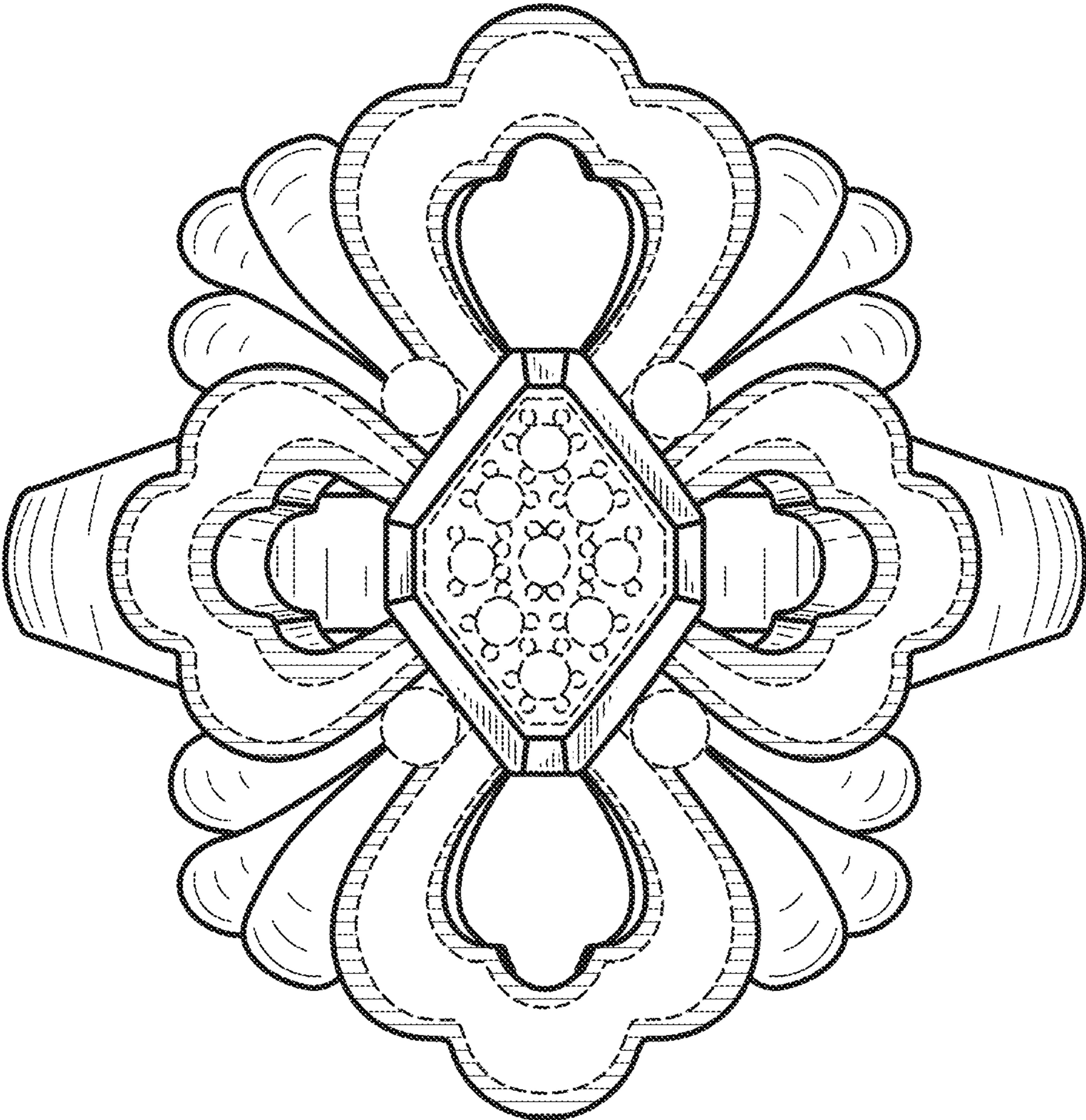


FIG. 6



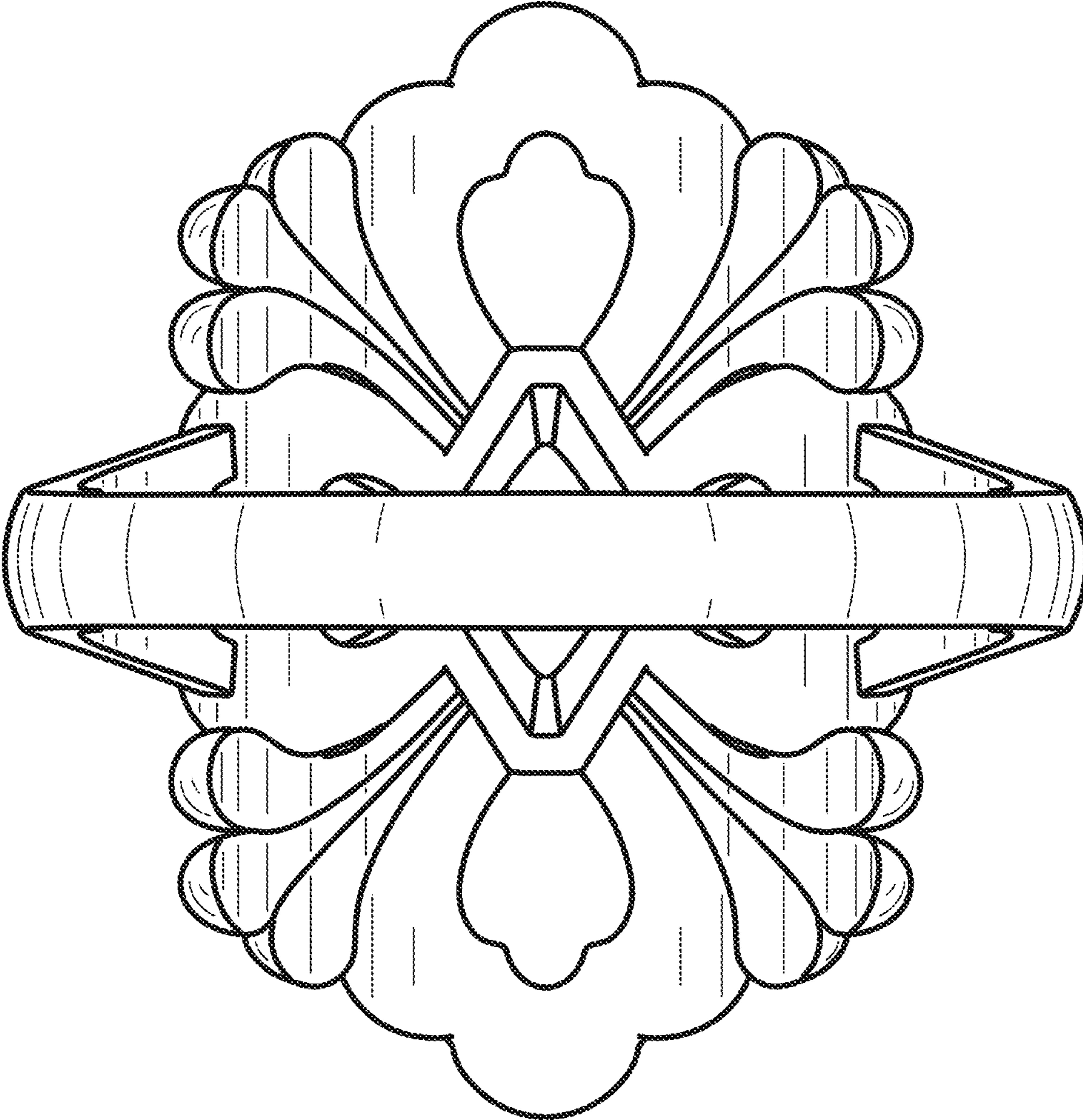


FIG. 7