



US00D828773S

(12) **United States Design Patent** (10) **Patent No.:** **US D828,773 S**
DiMartini et al. (45) **Date of Patent:** **** Sep. 18, 2018**

(54) **BEZEL RING WITH PIN**
(71) Applicants: **Michael J. DiMartini**, St. Louis, MO (US); **David L. Barnes**, St. Louis, MO (US)
(72) Inventors: **Michael J. DiMartini**, St. Louis, MO (US); **David L. Barnes**, St. Louis, MO (US)
(**) Term: **15 Years**
(21) Appl. No.: **29/580,733**
(22) Filed: **Oct. 12, 2016**
(51) **LOC (11) Cl.** **10-07**
(52) **U.S. Cl.**
USPC **D10/128**
(58) **Field of Classification Search**
USPC D10/1-2, 6-10, 14-15, 22, 30-39, 65, D10/70, 97-98, 122-126, 128; D14/344; D24/167, 186
CPC G04B 19/00; G04B 19/025; G04B 19/04; G04B 19/046; G04B 19/048; G04B 19/06; G04B 19/08; G04B 19/085; G04B 19/087; G04B 45/0069; G04B 45/0076; G04B 19/065; G04B 19/082; G04B 19/10; G04B 19/103; G04B 19/106; G04B 19/12; G04B 19/16; G04B 19/163; G04B 19/166; G04B 19/18; G04B 19/22; G04B 19/223; G04B 19/225; G04B 19/226; G04B 19/228; G04B 27/00; G04B 27/06
See application file for complete search history.

(56) **References Cited**
U.S. PATENT DOCUMENTS
2,617,249 A * 11/1952 Devay G04B 45/0069 368/276
3,911,668 A * 10/1975 Beguin G04B 19/00 368/238

D320,947 S * 10/1991 Goto D10/39
D340,478 S * 10/1993 Erskine D21/308
5,598,383 A * 1/1997 Li G04B 37/081 368/291
D379,325 S * 5/1997 Osit D10/128
D380,976 S * 7/1997 Houlihan D10/128
D401,861 S * 12/1998 Riley D10/30
D543,886 S * 6/2007 Pandel D10/128
D576,906 S * 9/2008 Calvani D10/128
D579,812 S * 11/2008 Calvani D10/128
D658,079 S * 4/2012 Emch D10/38
D666,925 S * 9/2012 Ahlstrom D10/32
D725,529 S * 3/2015 Gueit D10/128
9,360,841 B1 * 6/2016 Tolani G04B 3/045
D761,131 S * 7/2016 Nunes D10/128
D799,578 S * 10/2017 Clark D16/219
D801,195 S * 10/2017 Monachon D10/30
2006/0193210 A1 * 8/2006 Damasko G04B 19/283 368/295

(Continued)

Primary Examiner — Sandra S Snapp
Assistant Examiner — Katherine Glennon
(74) *Attorney, Agent, or Firm* — Charles McCloskey

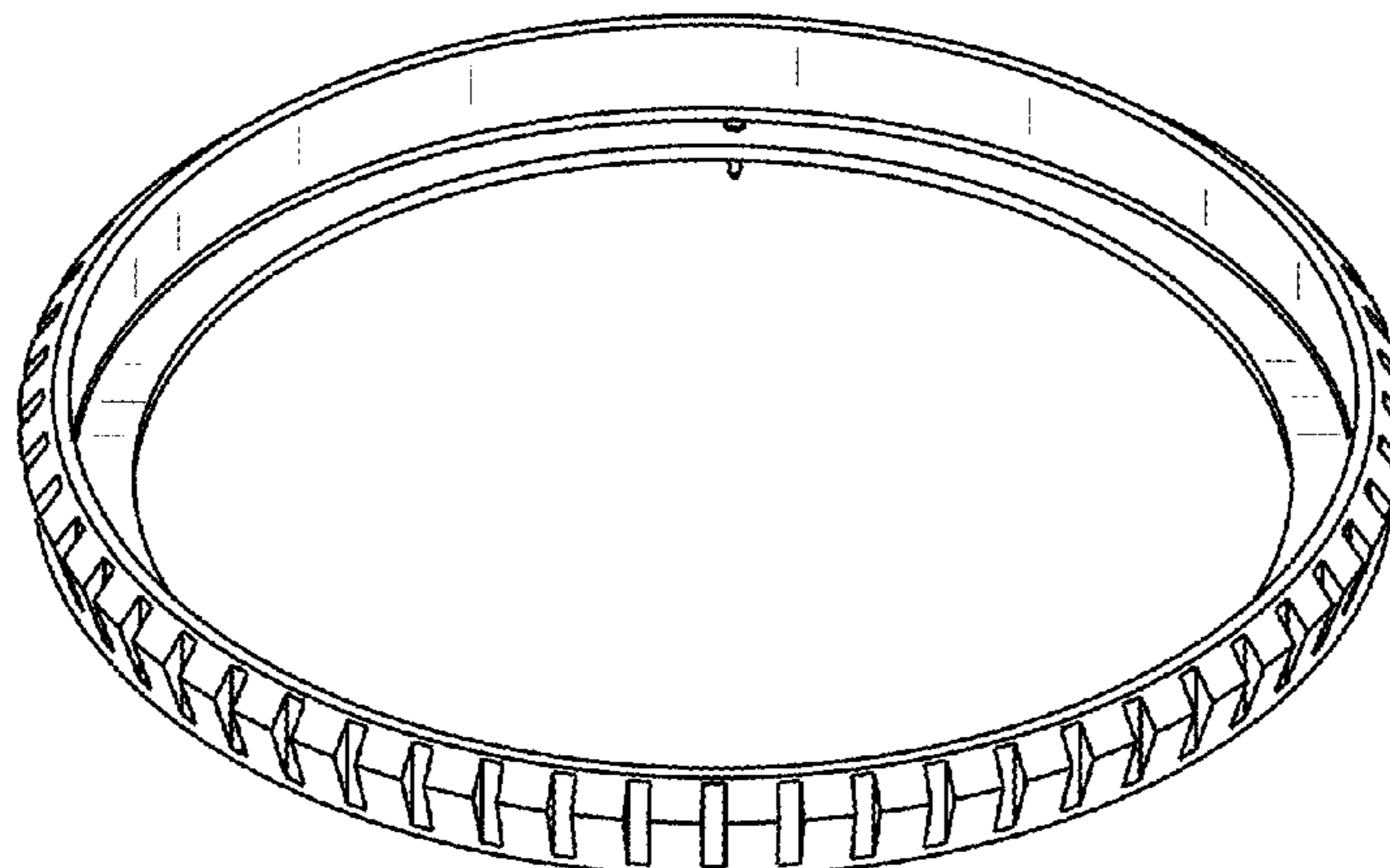
(57) **CLAIM**

The ornamental design for a bezel ring with pin, as shown and described.

DESCRIPTION

FIG. 1 is a top view of the invention;
FIG. 2 is a bottom view thereof;
FIG. 3 is a front view thereof;
FIG. 4 is a back view thereof;
FIG. 5 is a left side view thereof;
FIG. 6 is a right side view thereof;
FIG. 7 is a top perspective view thereof;
FIG. 8 is a bottom perspective view thereof; and,
FIG. 9 is an exploded view thereof.
The portions of the watch depicted in broken lines form no part of the claimed design.

1 Claim, 3 Drawing Sheets



(56)

References Cited

U.S. PATENT DOCUMENTS

2006/0239123 A1* 10/2006 Chen G04G 9/0076
368/21
2013/0182544 A1* 7/2013 Netuschill G04B 37/08
368/280
2013/0329536 A1* 12/2013 Silvant G04B 19/286
368/295
2015/0185702 A1* 7/2015 Silvant G04B 19/283
368/295
2015/0212491 A1* 7/2015 Tschumi G04B 37/0008
368/299
2015/0227113 A1* 8/2015 Cattaneo G04B 19/223
368/295
2016/0007700 A1* 1/2016 Vaucher A44C 17/02
368/10
2016/0109853 A1* 4/2016 Kobayashi G04B 19/286
368/295
2017/0277125 A1* 9/2017 Jung G04G 17/04
2018/0011446 A1* 1/2018 Yanagisawa G04B 19/223

* cited by examiner

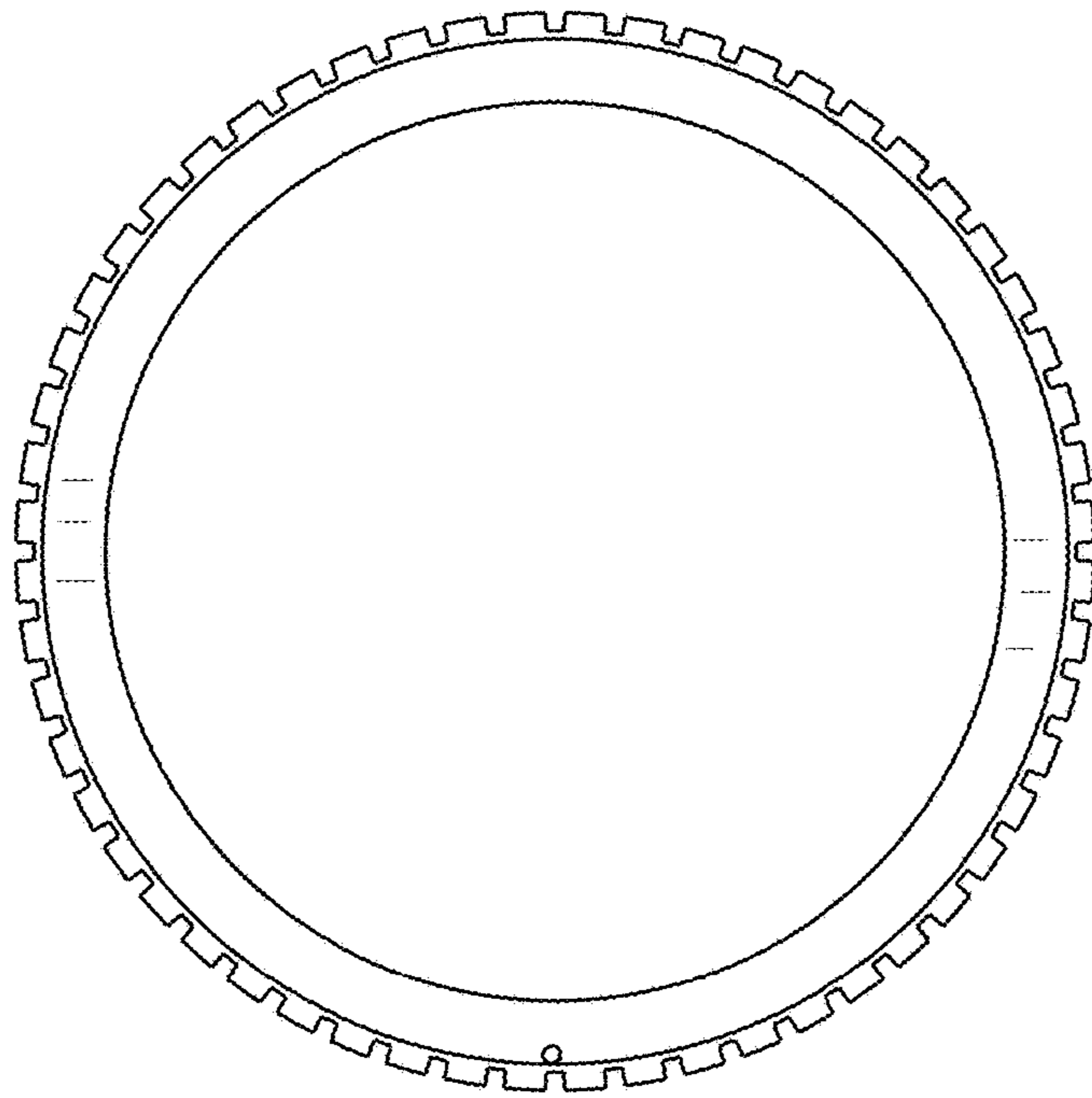


FIG. 1

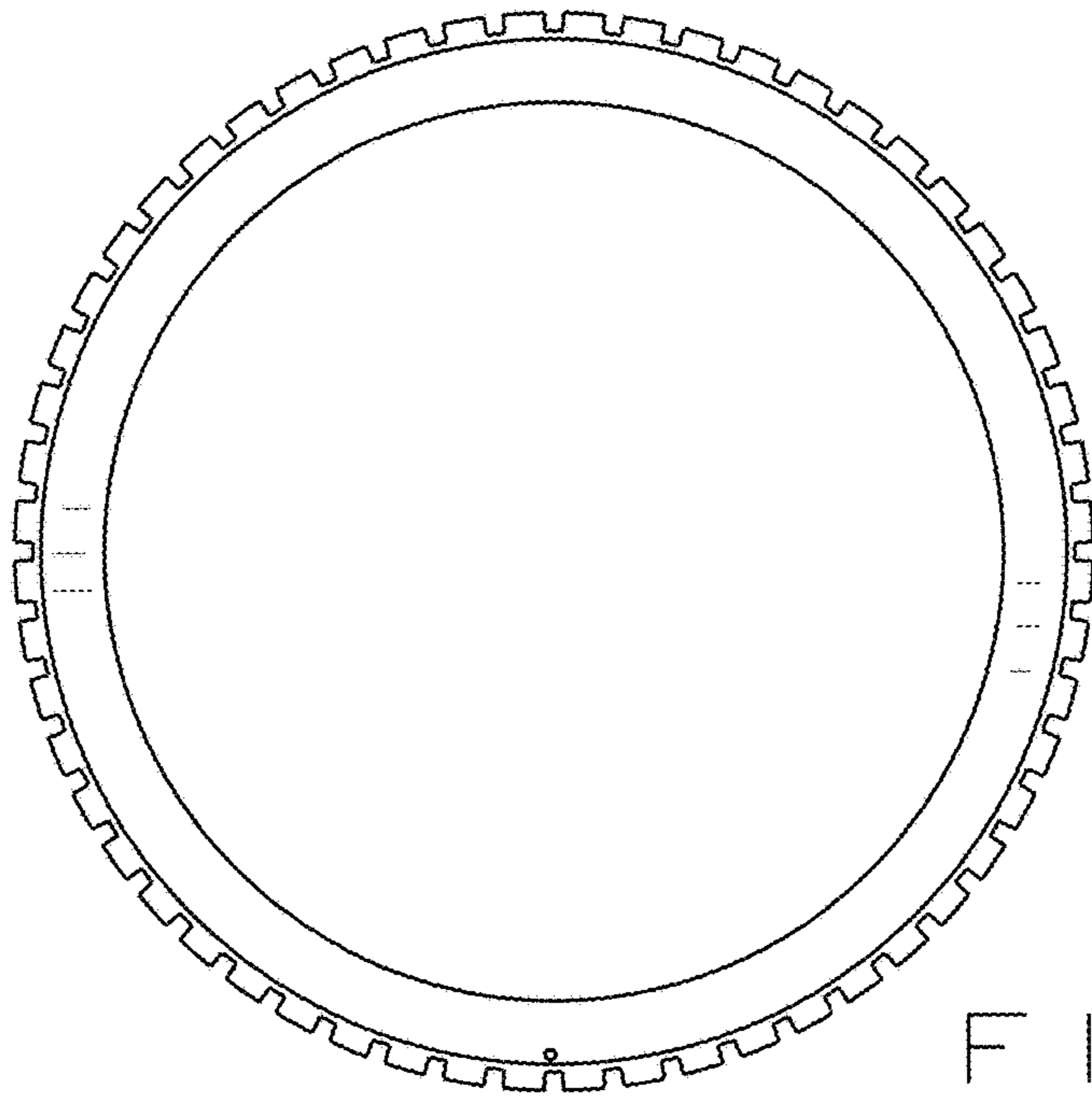


FIG. 2

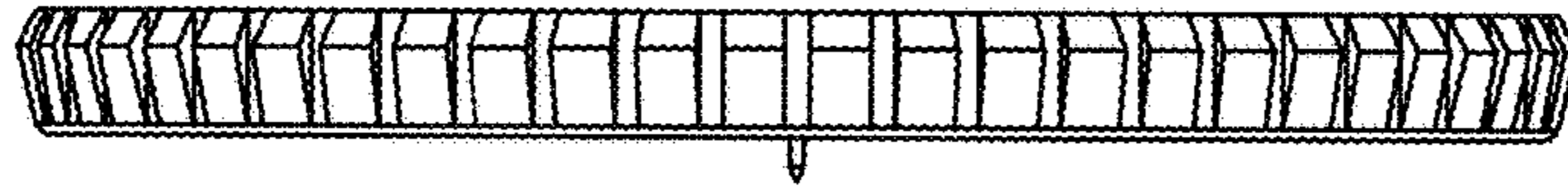


FIG. 3

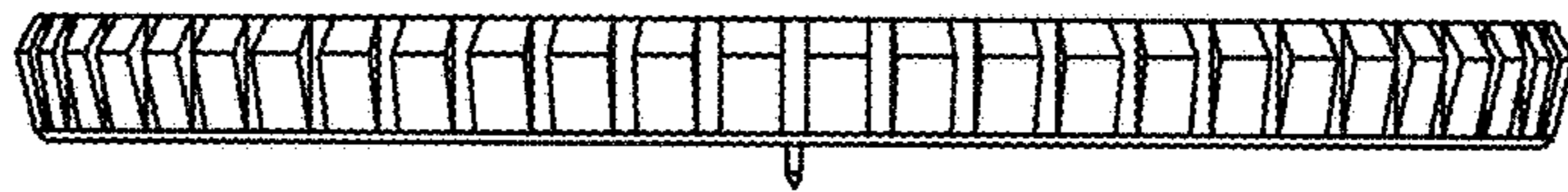


FIG. 4

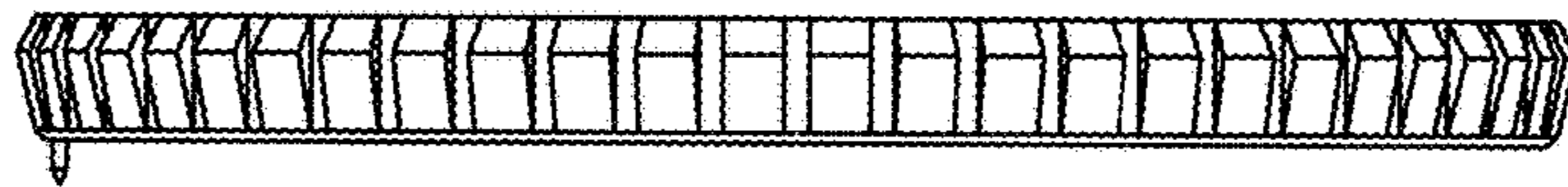


FIG. 5

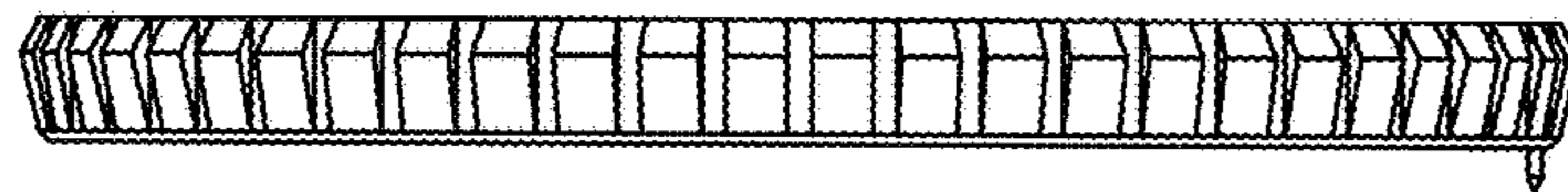


FIG. 6

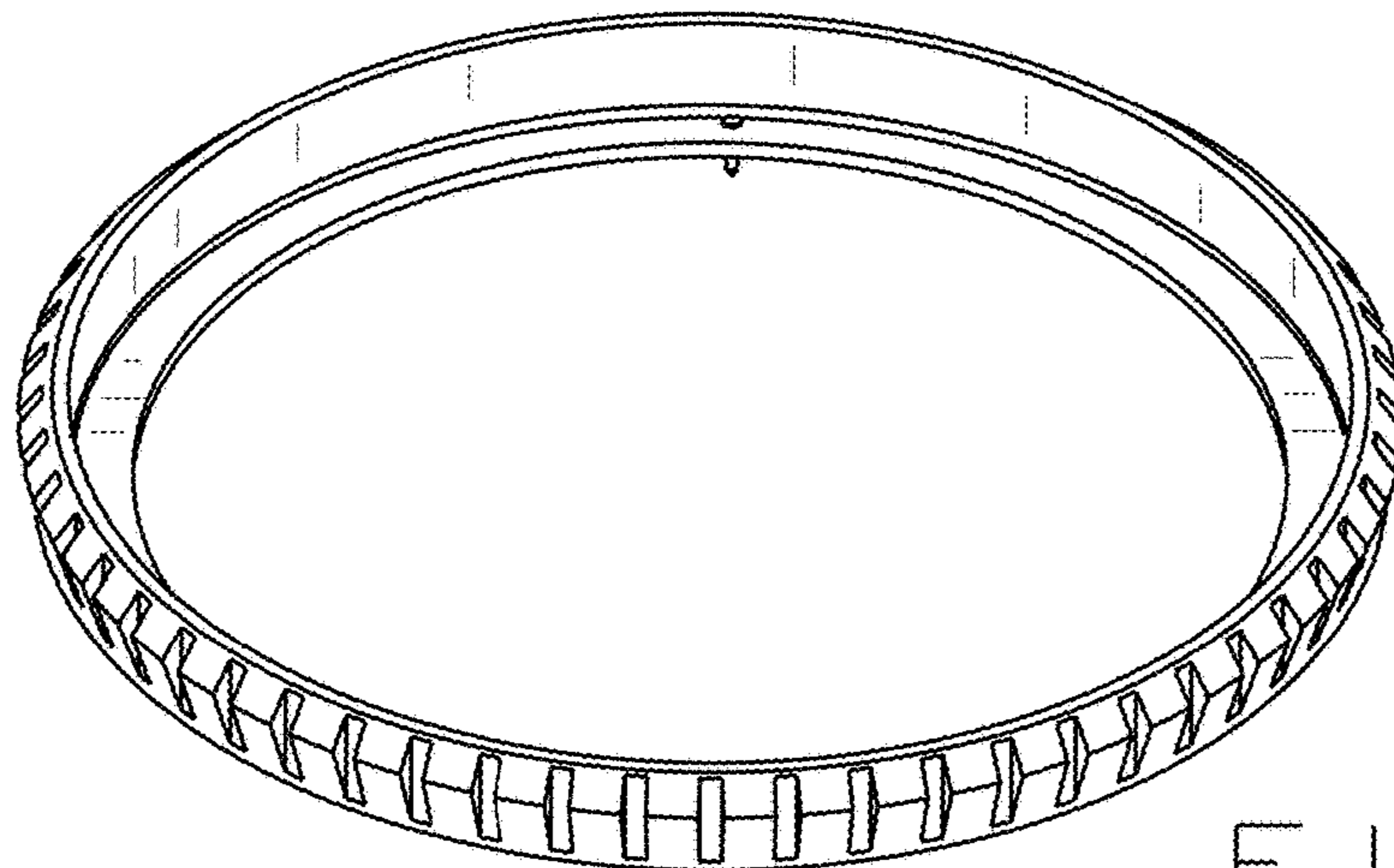


FIG. 7

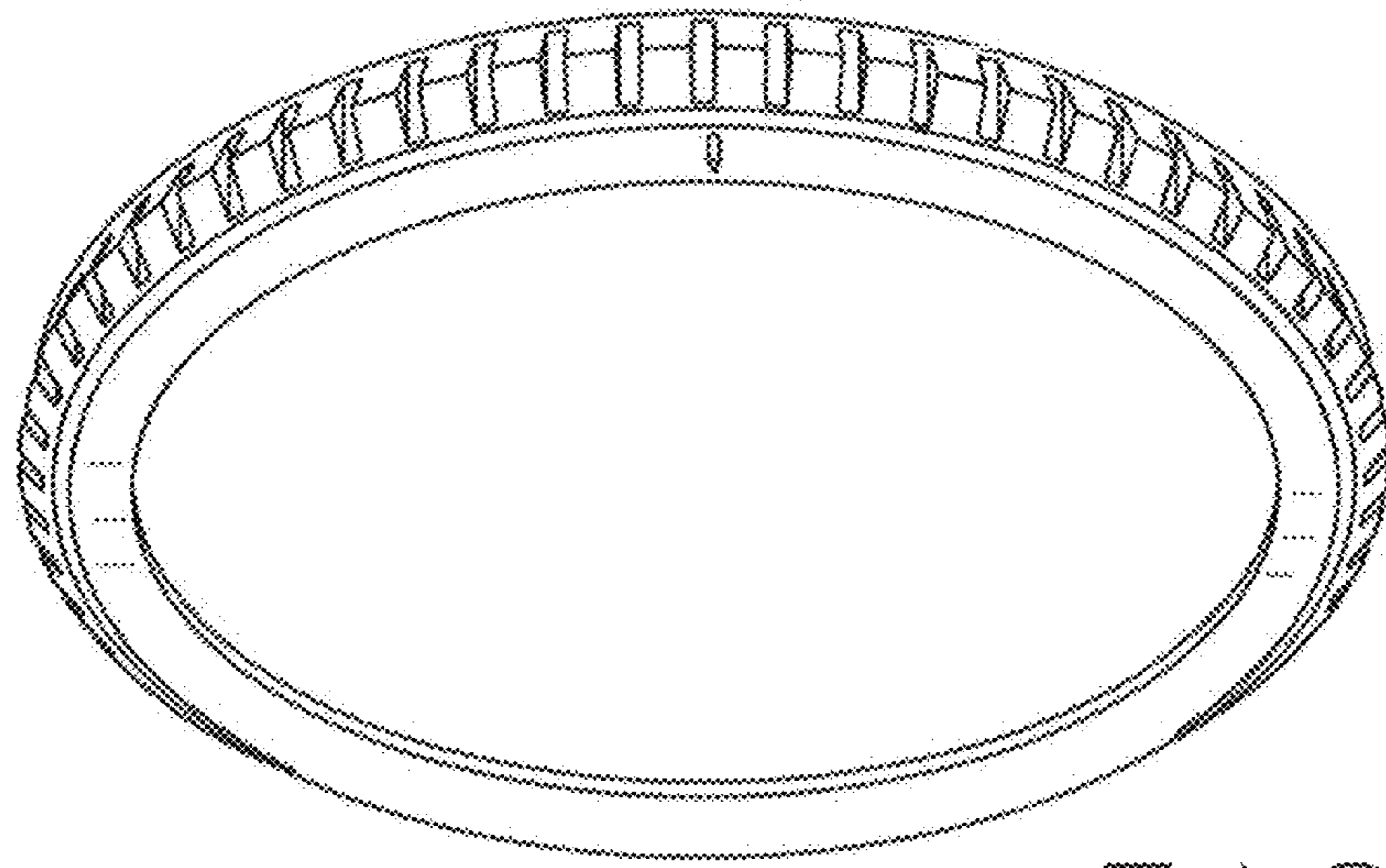


FIG. 8

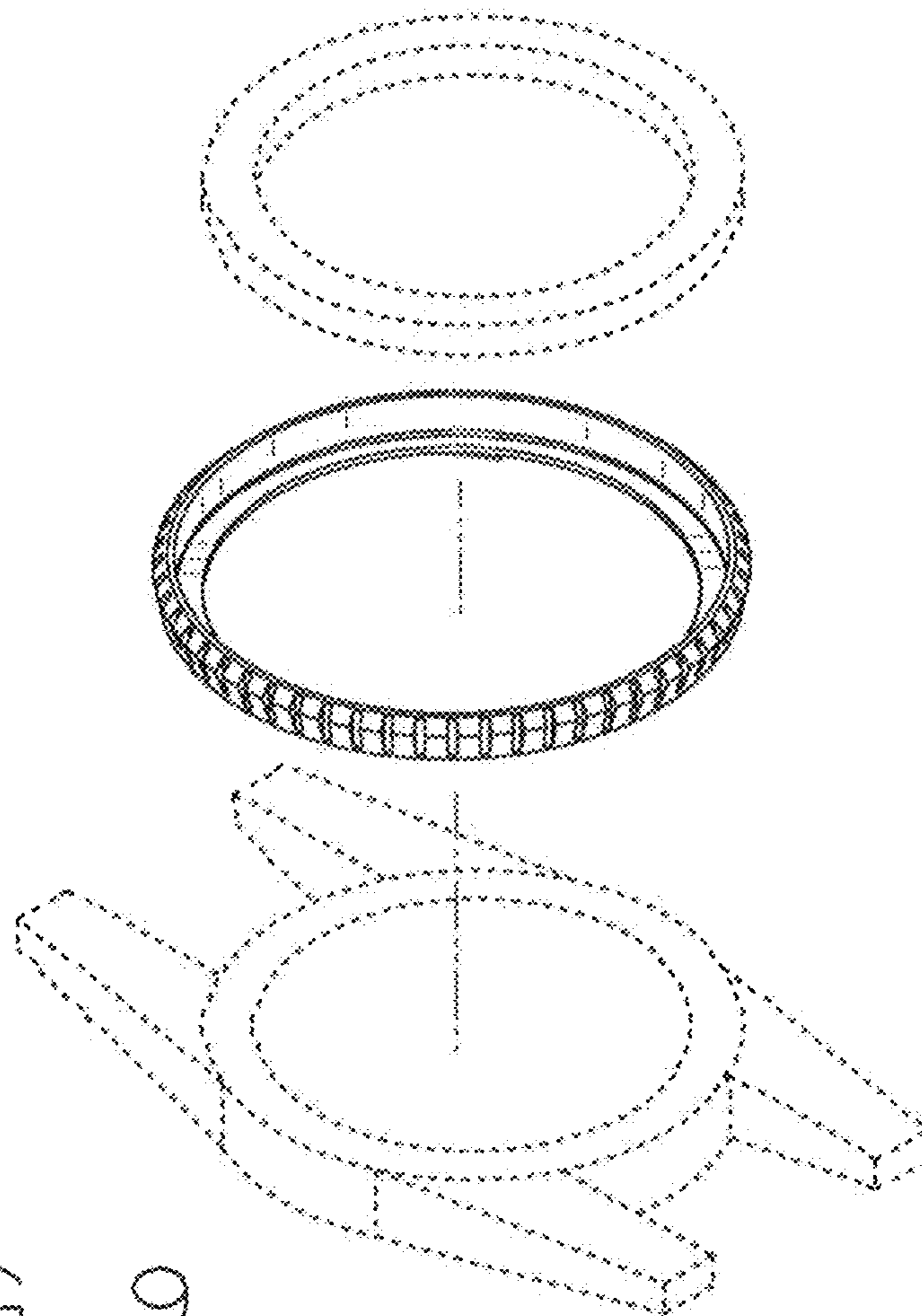


FIG. 9