

US00D828769S

(12) **United States Design Patent** (10) **Patent No.:** **US D828,769 S**  
**Lebeau** (45) **Date of Patent:** **\*\* Sep. 18, 2018**

(54) **CONTAINER**

(71) Applicant: **BIP Floral inc**, Montreal (CA)

(72) Inventor: **France Lebeau**, Montreal (CA)

(73) Assignee: **BIP Floral Inc.**, Montreal (CA)

(\*\*) Term: **15 Years**

(21) Appl. No.: **29/567,805**

(22) Filed: **Jun. 13, 2016**

(30) **Foreign Application Priority Data**

Dec. 14, 2015 (CA) ..... 165819

(51) **LOC (11) Cl.** ..... **09-03**

(52) **U.S. Cl.**  
USPC ..... **D9/737; D9/433**

(58) **Field of Classification Search**  
USPC ..... D9/414-434, 442-445, 456, 457, 542,  
D9/563, 600, 614-624, 655, 657, 658,  
D9/661, 685, 695, 697-699, 707, 708,  
D9/711, 737, 754, 756-762, 772-776;  
D3/273, 276, 304, 305, 307, 309-313;  
D7/601, 602, 709; D19/75, 90  
CPC ..... B65D 5/00; B65D 5/001; B65D 5/0015;  
B65D 5/0227-5/0254; B65D 5/18; B65D  
5/6605; B65D 5/48024; B65B 5/06  
See application file for complete search history.

(56) **References Cited**

**U.S. PATENT DOCUMENTS**

D168,664 S *	1/1953	Van Dyke .....	D9/737
D289,974 S *	5/1987	Hamilton .....	D9/418
D330,513 S *	10/1992	Gilchrist .....	D3/284
D393,591 S *	4/1998	Baryshyan .....	D9/753
D400,373 S *	11/1998	Thoesen .....	D3/313
D480,512 S *	10/2003	Sheng .....	D28/79
D515,941 S *	2/2006	Hamblin .....	D24/230

D515,943 S *	2/2006	Hamblin .....	D24/230
D592,401 S *	5/2009	Beavers .....	D3/304
D601,343 S *	10/2009	Franczyk .....	D3/313
D608,609 S *	1/2010	Eaton .....	D7/701
D663,198 S *	7/2012	White .....	D9/430
D686,784 S *	7/2013	Elliott .....	D30/133
D694,049 S *	11/2013	Eckert .....	D6/706
D699,085 S *	2/2014	Reid, Jr. ....	D7/701
D705,618 S *	5/2014	Reid, Jr. ....	D7/701
D708,763 S *	7/2014	Smeja .....	D24/229
D711,365 S *	8/2014	Miles .....	D14/253
D714,958 S *	10/2014	Smeja .....	D24/230
D721,544 S *	1/2015	Hollander .....	D7/620
D721,545 S *	1/2015	Hollander .....	D7/620
D744,159 S *	11/2015	Lukas .....	D27/172
D754,942 S *	5/2016	Pawlowski .....	D1/127

(Continued)

**OTHER PUBLICATIONS**

Pentagonal model. [online] published date unknown. Retrieved on Apr. 28, 2017 from <URL: [http://www.bipfloral.com/design\\_en.html](http://www.bipfloral.com/design_en.html)>.\*

(Continued)

*Primary Examiner* — Karen S Acker  
*Assistant Examiner* — Omeed Agilee  
(74) *Attorney, Agent, or Firm* — IP Delta Plus Inc.

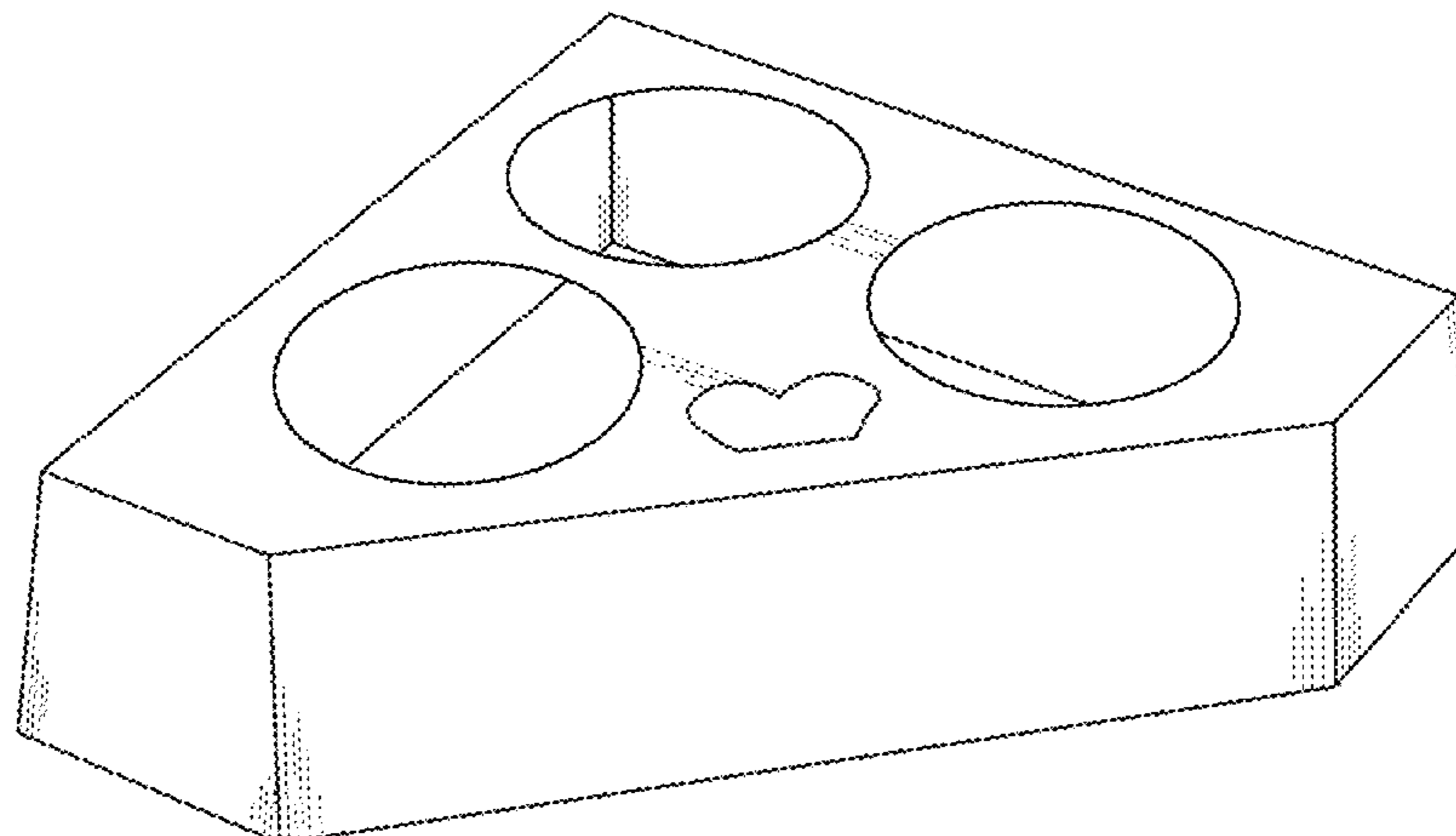
(57) **CLAIM**

The ornamental design for a container, as shown and described.

**DESCRIPTION**

FIG. 1 is a top and sides perspective view of a container, showing my new design;  
FIG. 2 is top plan view thereof;  
FIG. 3 is a side elevation view thereof;  
FIG. 4 is another side elevation view thereof; and,  
FIG. 5 is a top plan view thereof in an unassembled and flat configuration.

**1 Claim, 5 Drawing Sheets**



(56)

**References Cited**

U.S. PATENT DOCUMENTS

D758,191 S *	6/2016	Tu	.....	D9/432
D776,548 S *	1/2017	Bell	.....	D9/753
D777,027 S *	1/2017	Baker	.....	D9/431
D789,217 S *	6/2017	Antons	.....	D9/737
D807,129 S *	1/2018	Martinez	.....	D7/701
D811,833 S *	3/2018	Thurrow	.....	D7/706

OTHER PUBLICATIONS

FlowerBox Delivery Tray for Round Vases. Online, published date unknown. Retrieved on Jul. 24, 2018 from URL: <http://www.flowerbox.com/home/catalog/delivery-box/item/flowerbox-delivery-tray-for-round-vases-pack>.\*

\* cited by examiner

FIG.1

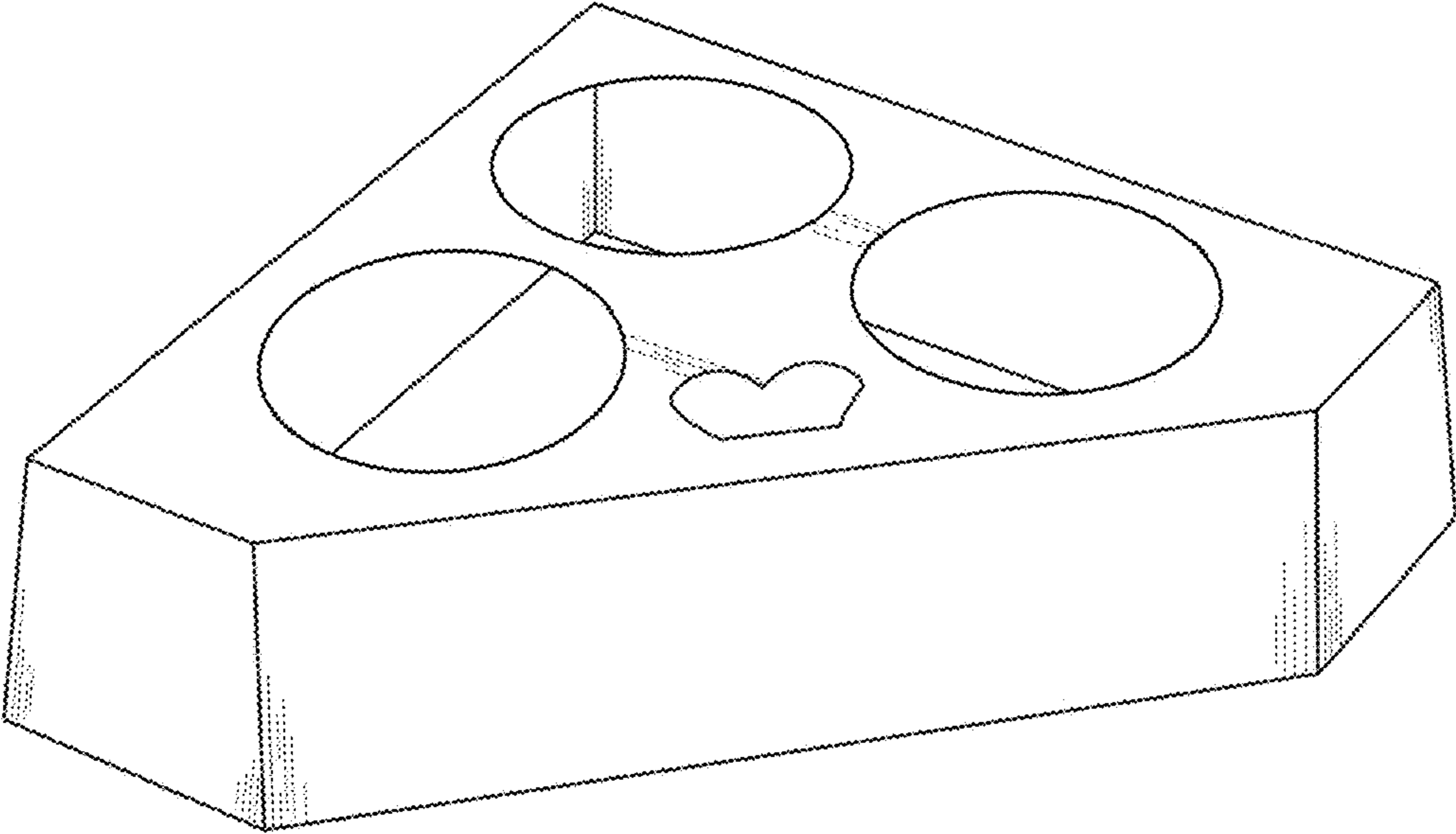


FIG. 2

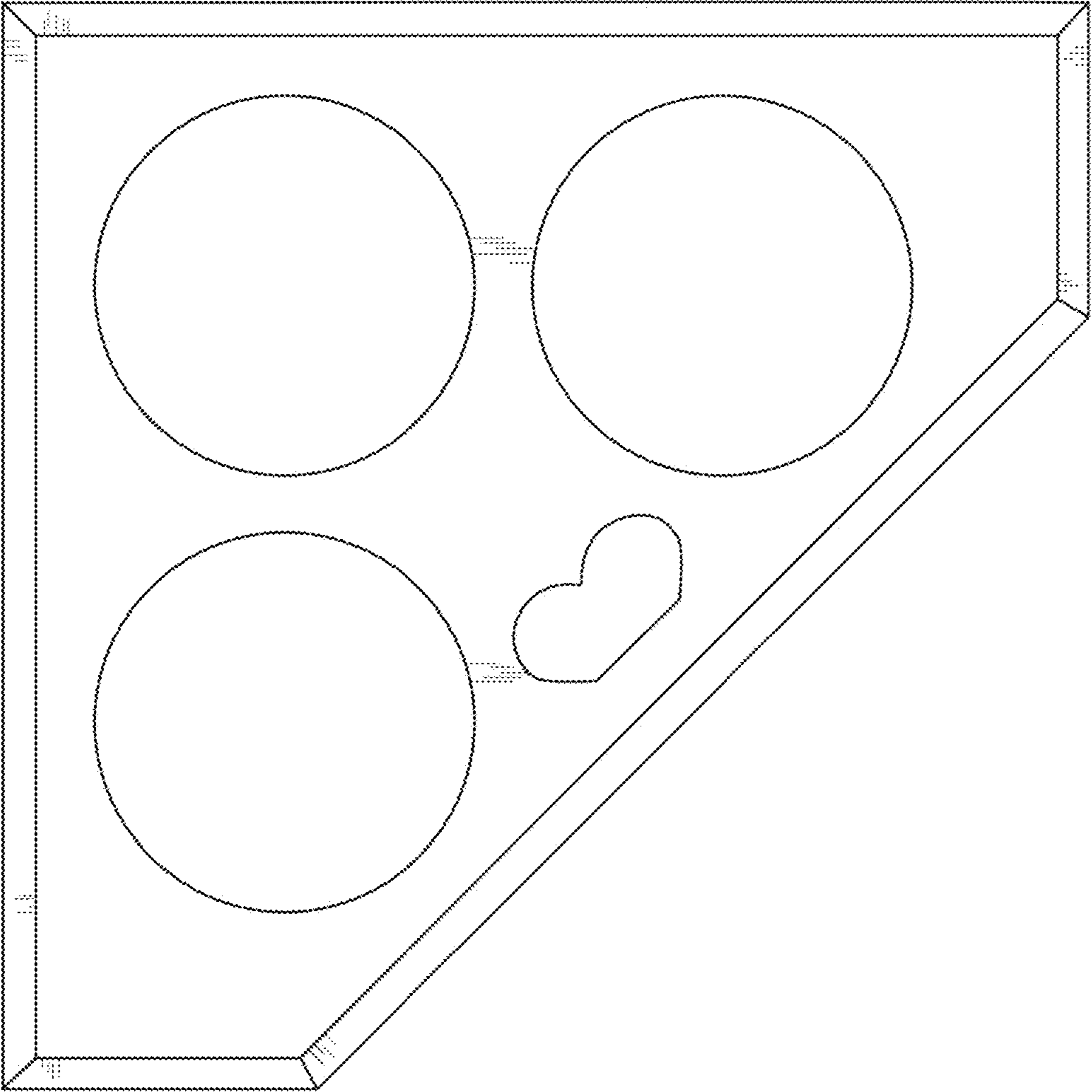


FIG. 3

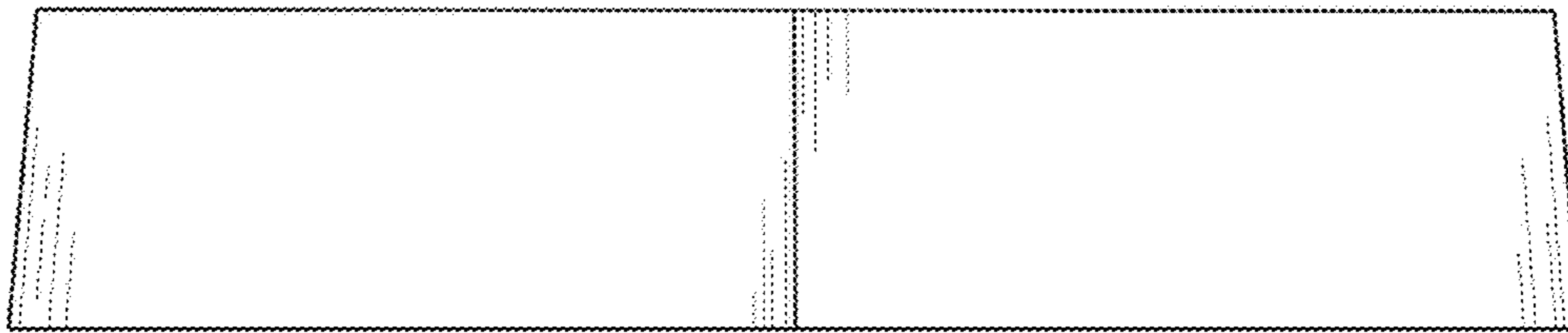


FIG. 4



FIG. 5

