



US00D828767S

(12) **United States Design Patent** (10) **Patent No.:** **US D828,767 S**
von Badinski et al. (45) **Date of Patent:** **** Sep. 18, 2018**

(54) **PACKAGE**

- (71) Applicant: **Motiv Inc.**, San Francisco, CA (US)
- (72) Inventors: **Curt C. von Badinski**, Valencia, CA (US); **Michael J. Strasser**, San Francisco, CA (US); **Zachary Joseph Zelif**, Taipei (TW); **Eric Strasser**, San Francisco, CA (US); **Ting-Che Huang**, Taipei (TW)
- (73) Assignee: **Motiv Inc.**, San Francisco, CA (US)
- (**) Term: **15 Years**
- (21) Appl. No.: **29/573,394**
- (22) Filed: **Aug. 5, 2016**
- (51) **LOC (11) Cl.** **09-01**
- (52) **U.S. Cl.**
USPC **D9/732; D9/424**

(58) **Field of Classification Search**

USPC D9/414, 424, 456, 732, 737, 756, 759, D9/761; 206/261, 461, 462, 467, 469, 206/470, 471, 528, 530, 531, 532, 534, 206/534.1, 534.2, 535-540; D24/227, D24/229, 230

CPC B65D 75/327; B65D 2585/56; B65D 75/367; B65D 75/32; B65D 2575/3227; B65D 83/0445; B65D 2575/367; B65D 2575/3245; B65D 83/04; B65D 75/22; B65D 75/5855; B65D 75/323; B65D 2543/00296; B65D 5/4204; B65D 25/04; B65D 75/52; B65D 75/585; B65D 73/0035; B65D 73/0085; B65D 75/58; B65D 2543/00194; B65D 1/36; B65D 73/0078; B65D 2543/00805; B65D 73/0042; B65D 75/225; B65D 77/30; B65D 2543/00092; B65D 75/522; B65D 1/0223

See application file for complete search history.

(56) **References Cited**

U.S. PATENT DOCUMENTS

4,015,708 A * 4/1977 Kelm B65D 73/02
206/460

4,192,422 A * 3/1980 Kotyuk A61J 1/035
206/1.5

4,209,091 A * 6/1980 Lieberman B65D 25/10
206/460

6,164,490 A * 12/2000 Bishop B65D 83/0409
221/197

D518,737 S * 4/2006 Zalzal D9/732

D533,463 S * 12/2006 Sheffield D9/732

D649,885 S * 12/2011 Stuiber D9/732

(Continued)

Primary Examiner — Lauren R Calve

(74) *Attorney, Agent, or Firm* — JCIPRNET

(57) **CLAIM**

The ornamental design for a package, as shown and described.

DESCRIPTION

FIG. 1 is a perspective view of a package showing our new design;

FIG. 2 is a front view thereof;

FIG. 3 is a rear view thereof;

FIG. 4 is a left side view thereof;

FIG. 5 is a right side view thereof;

FIG. 6 is a top view thereof;

FIG. 7 is a bottom view thereof;

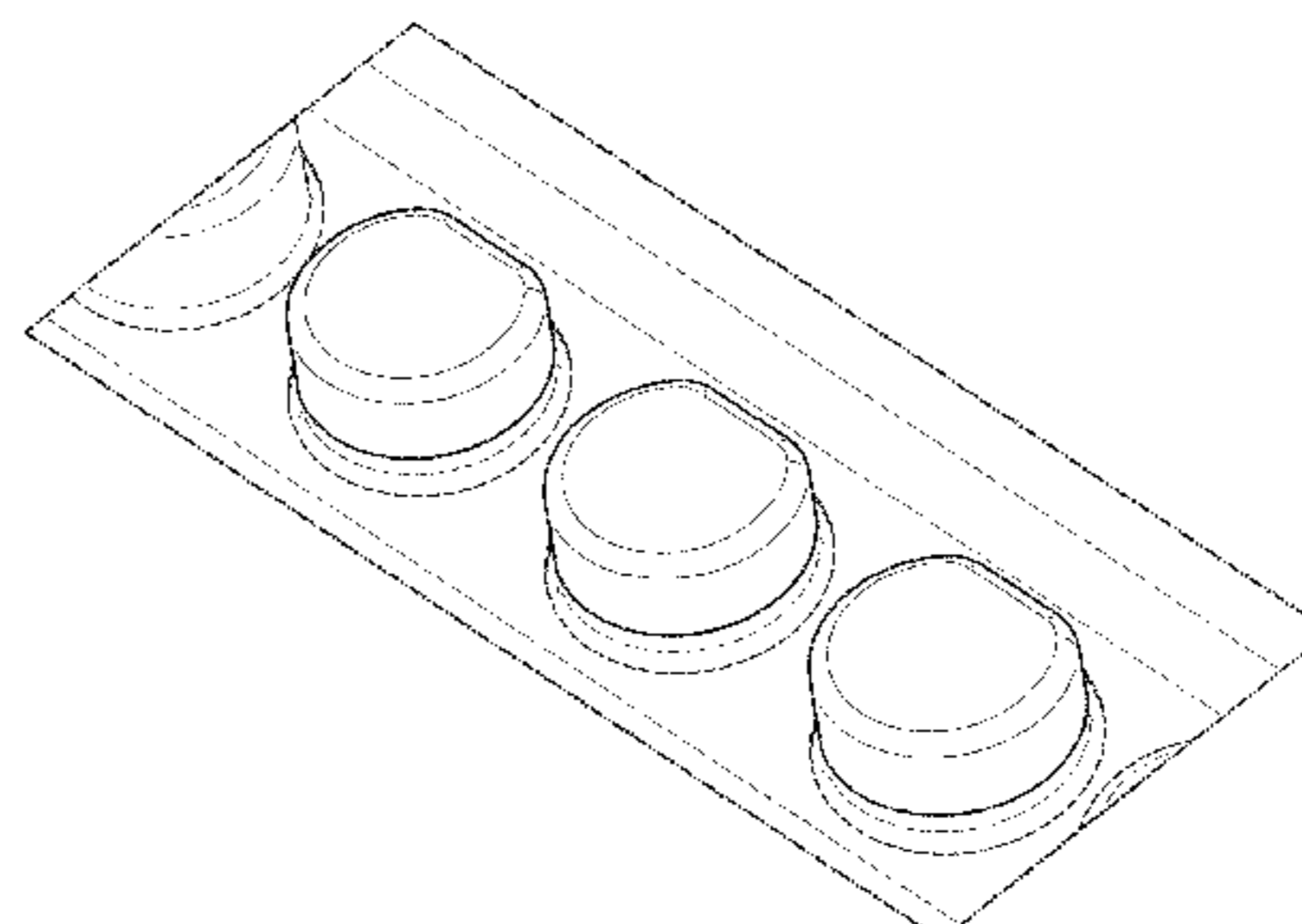
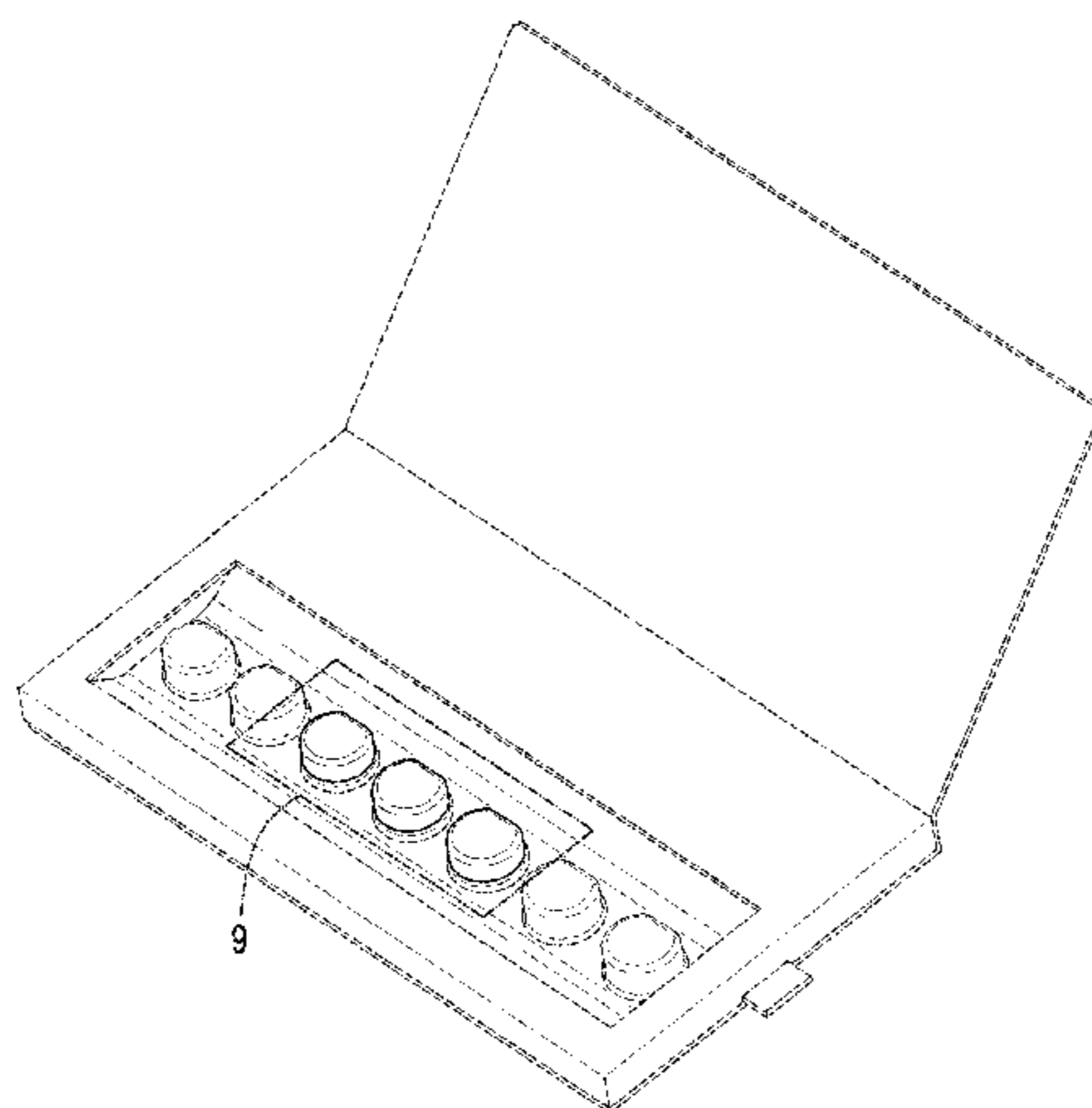
FIG. 8 is a perspective view of FIG. 1 shown in an alternate configuration;

FIG. 9 is a partial enlarged perspective view according to the broken rectangle in FIG. 1; and,

FIG. 10 is a partial enlarged perspective view according to the broken rectangle in FIG. 8.

The dashed lines shown represent unclaimed subject matter and form no part of the claimed design. The dash-dot-dot lines shown represent the partial enlarged views and form no part of the claimed design.

1 Claim, 8 Drawing Sheets



(56)

References Cited

U.S. PATENT DOCUMENTS

D758,851 S * 6/2016 Binder D9/432
2004/0206653 A1 * 10/2004 Filion A61J 1/035
206/461
2005/0109422 A1 * 5/2005 Duman B65B 43/52
141/129
2007/0034533 A1 * 2/2007 Coldrey B65D 75/366
206/5.1
2007/0267318 A1 * 11/2007 Grosskopf A61J 1/035
206/531
2008/0265011 A1 * 10/2008 Specker B65D 5/2004
229/143
2009/0188831 A1 * 7/2009 Blackman B65D 75/22
206/531
2012/0085671 A1 * 4/2012 Wade B65D 73/0092
206/469
2012/0298545 A1 * 11/2012 Denzler B65D 75/367
206/461
2014/0331602 A1 * 11/2014 Newman B65B 51/22
53/405
2014/0346071 A1 * 11/2014 Genosar A61J 1/067
206/438
2015/0329258 A1 * 11/2015 Brandow B31B 17/60
206/462
2016/0114947 A1 * 4/2016 Buck A47G 19/2205
220/713

* cited by examiner

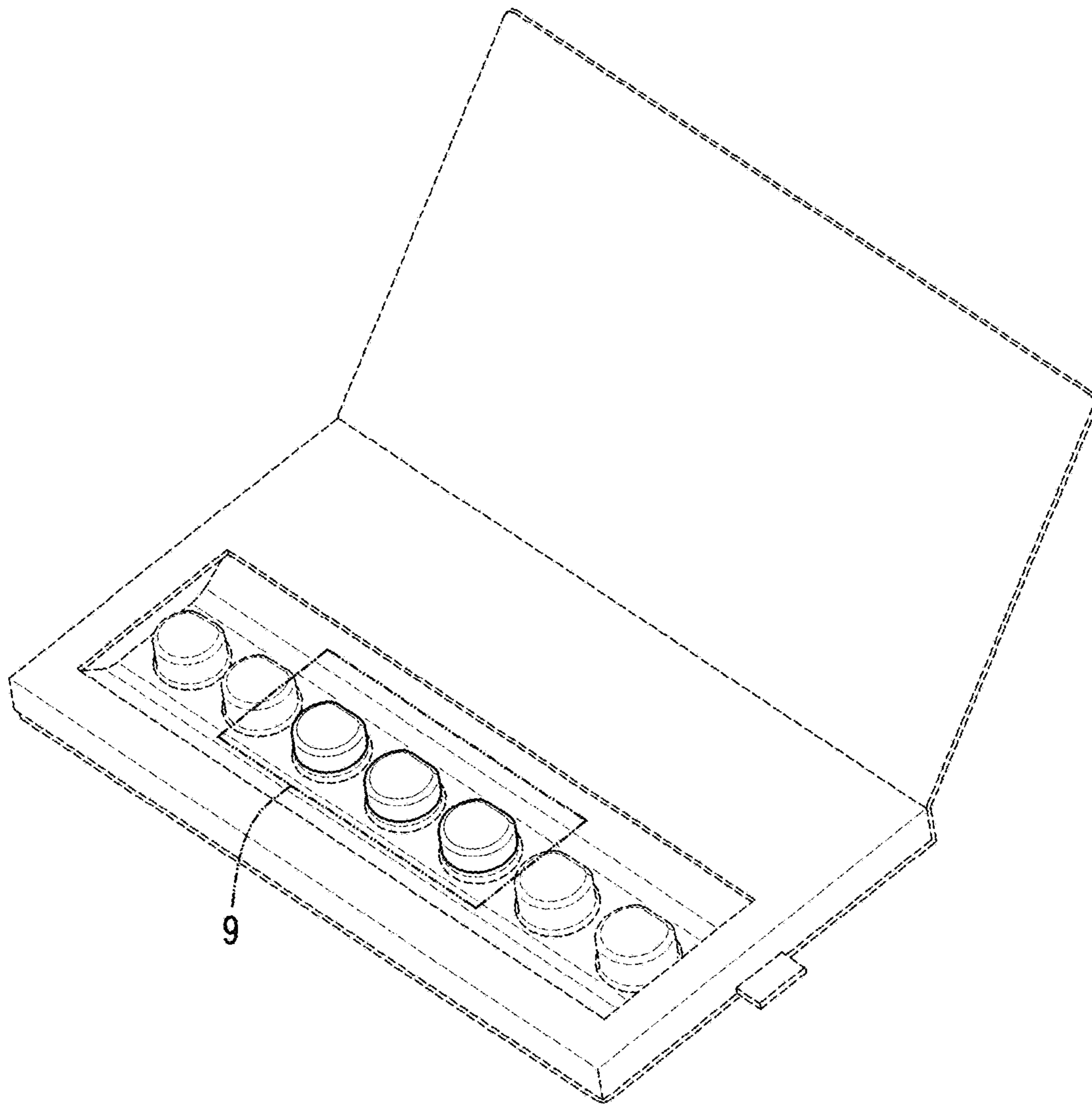


FIG. 1

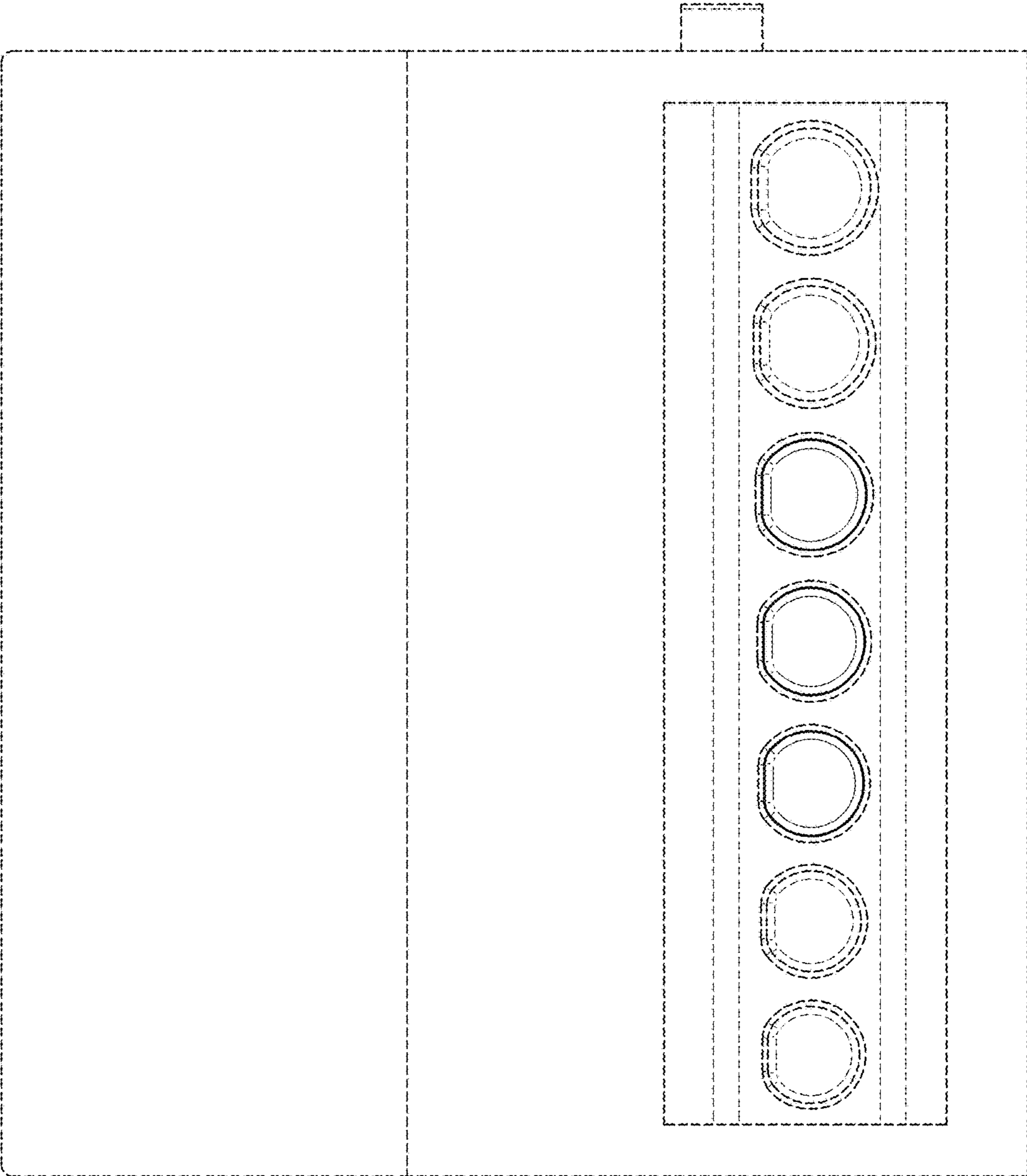


FIG. 2

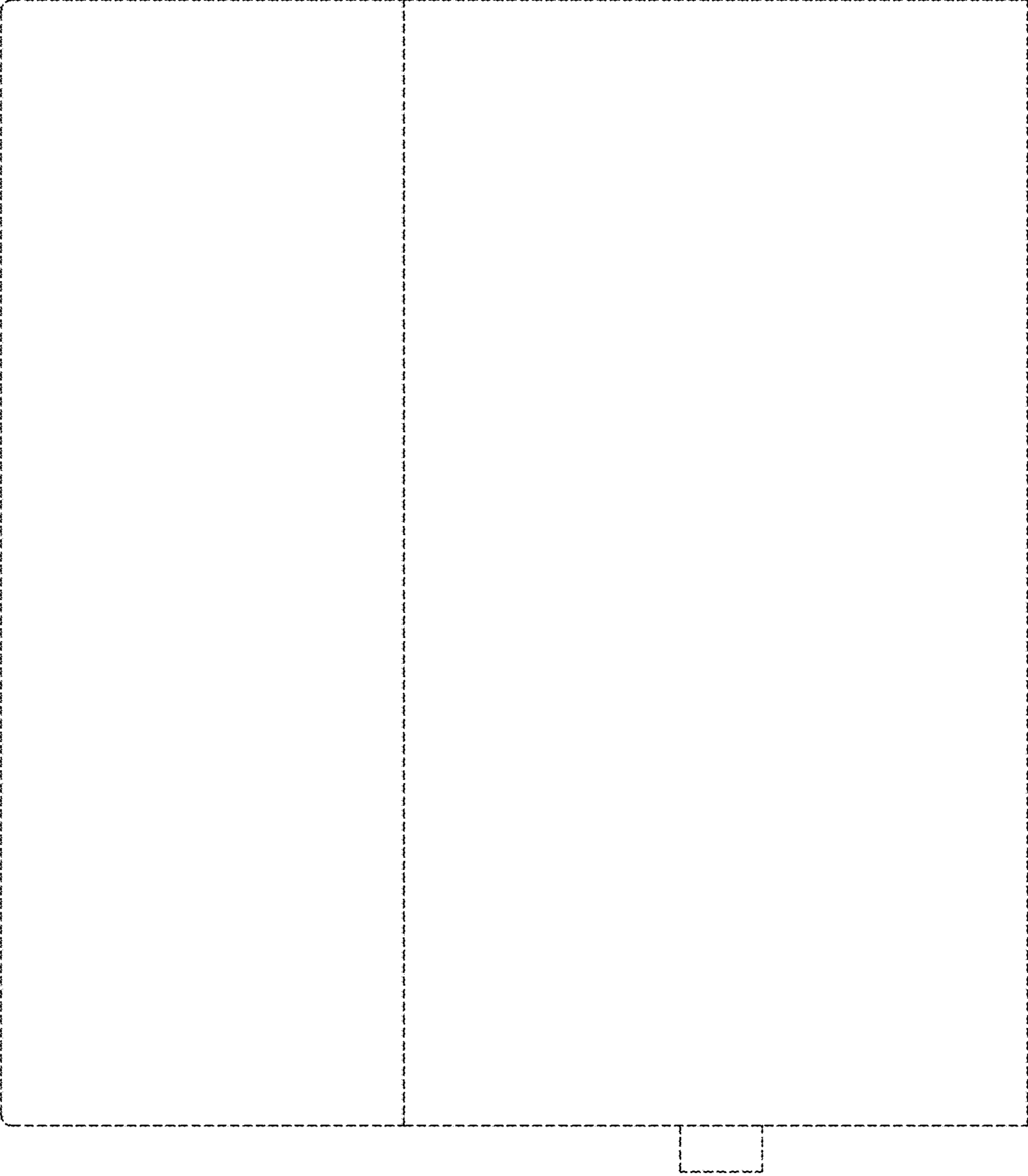


FIG. 3

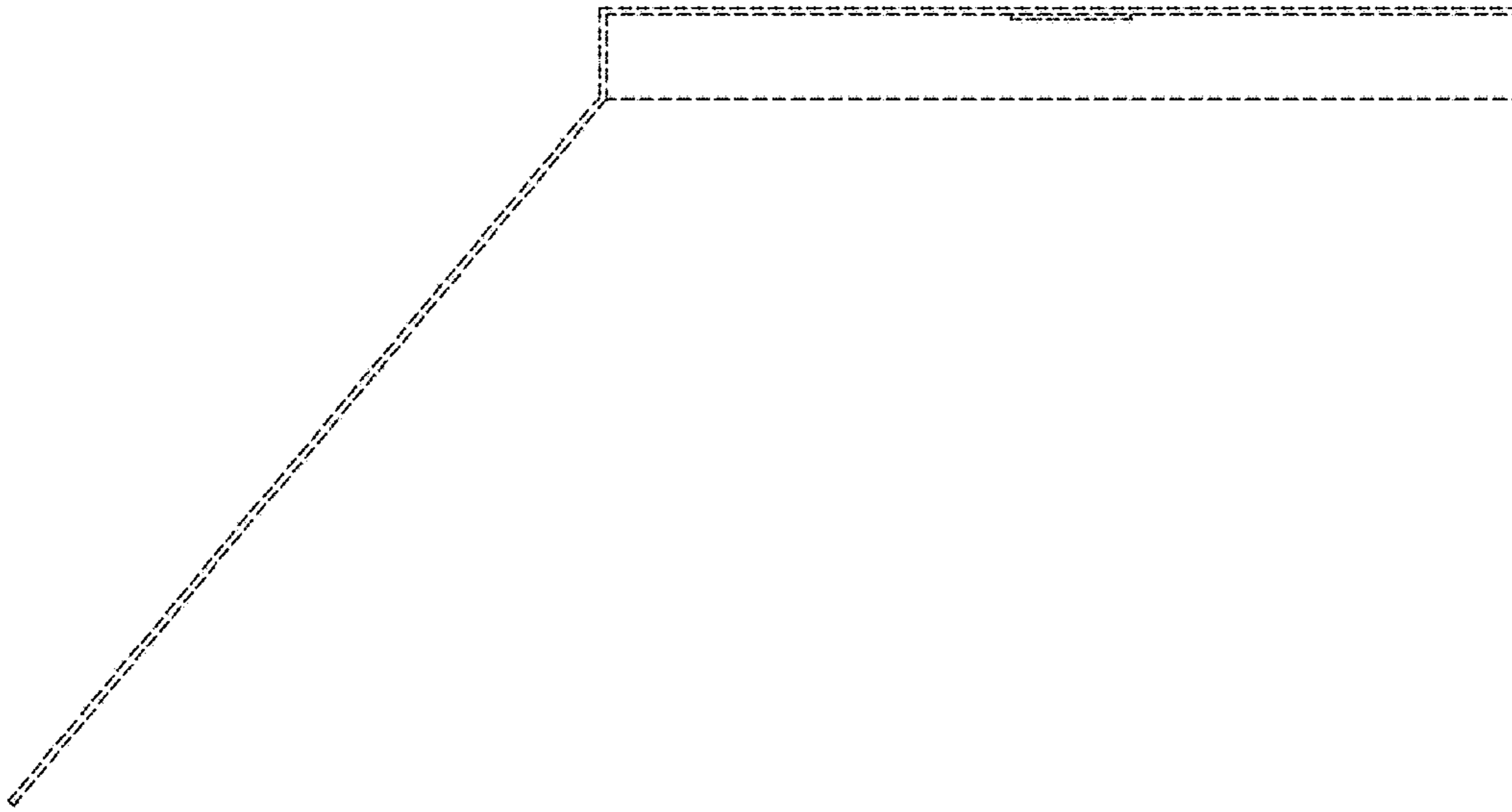


FIG. 5

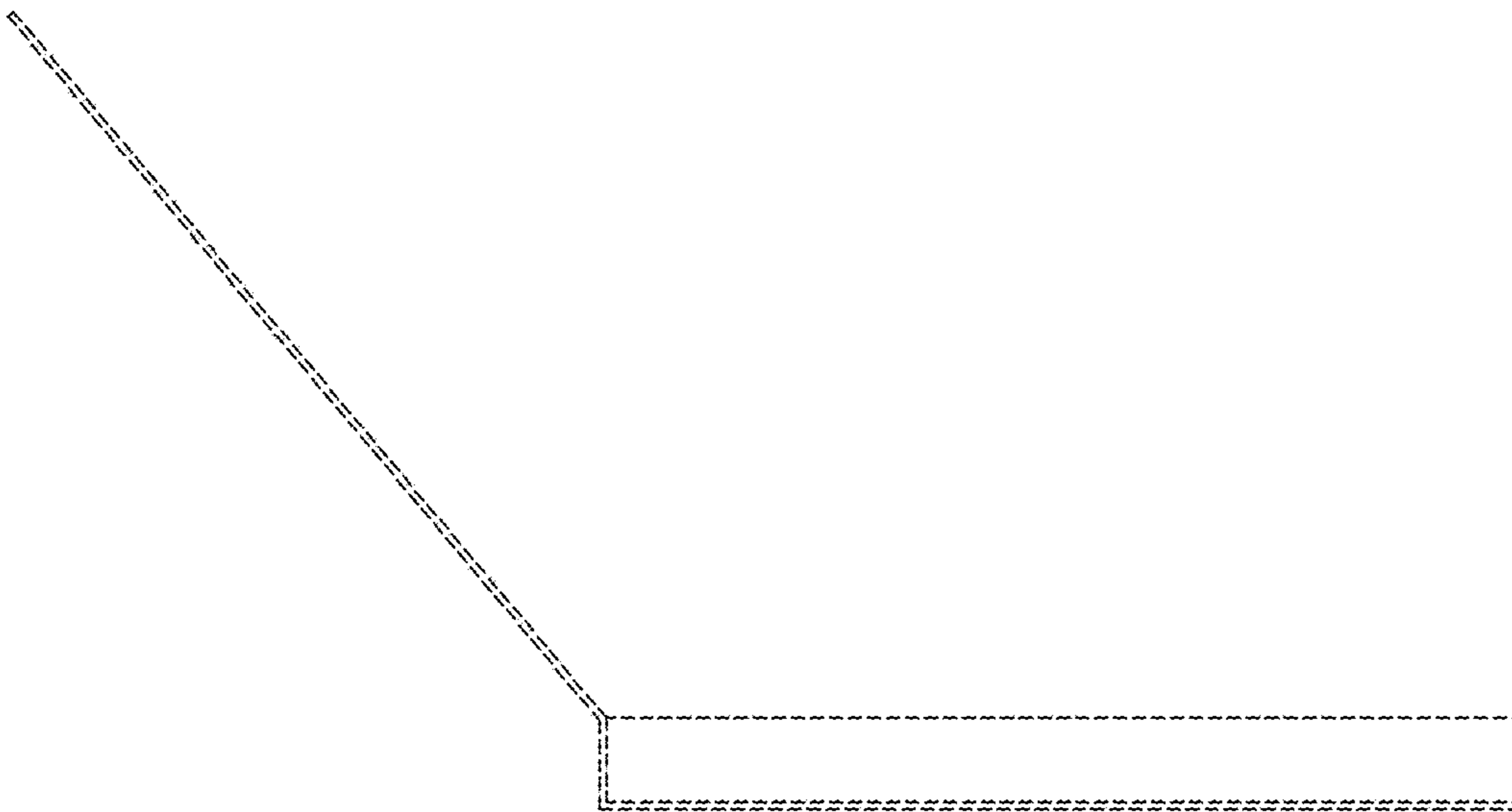


FIG. 4

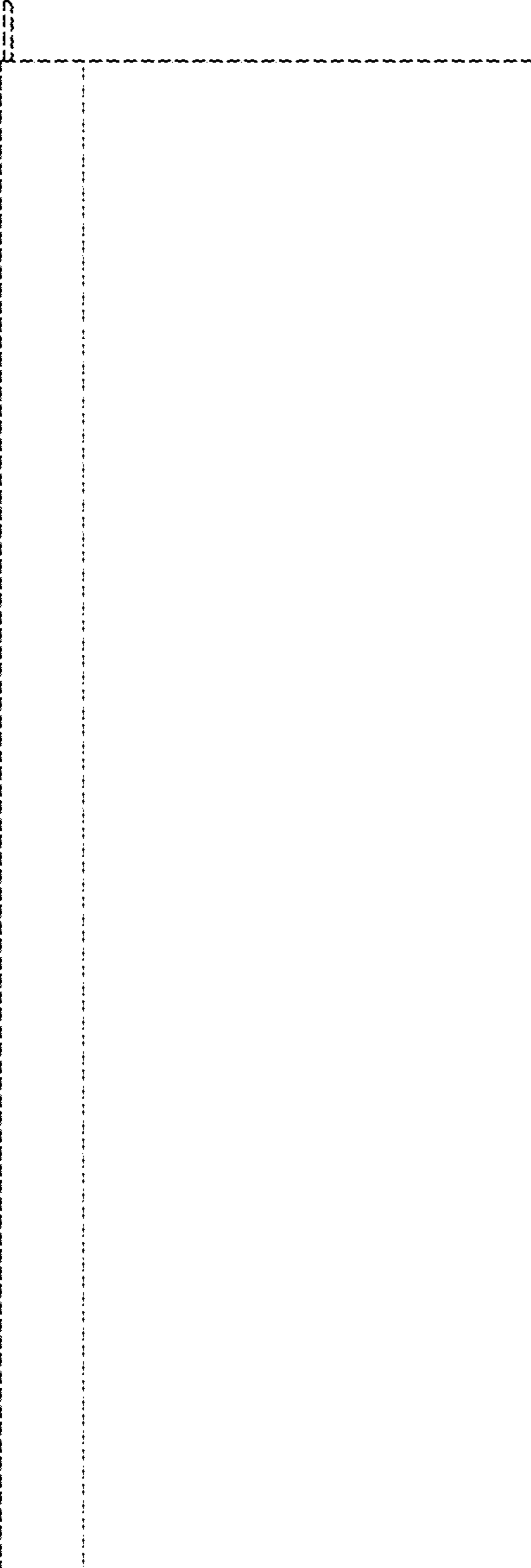


FIG. 6

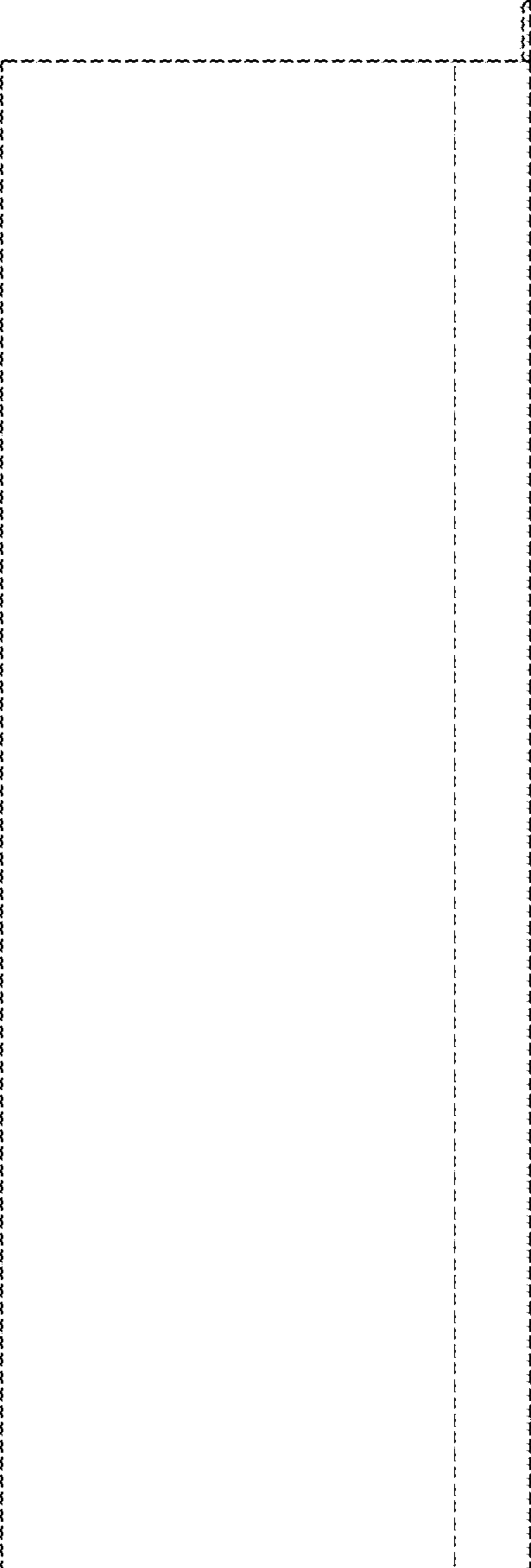


FIG. 7

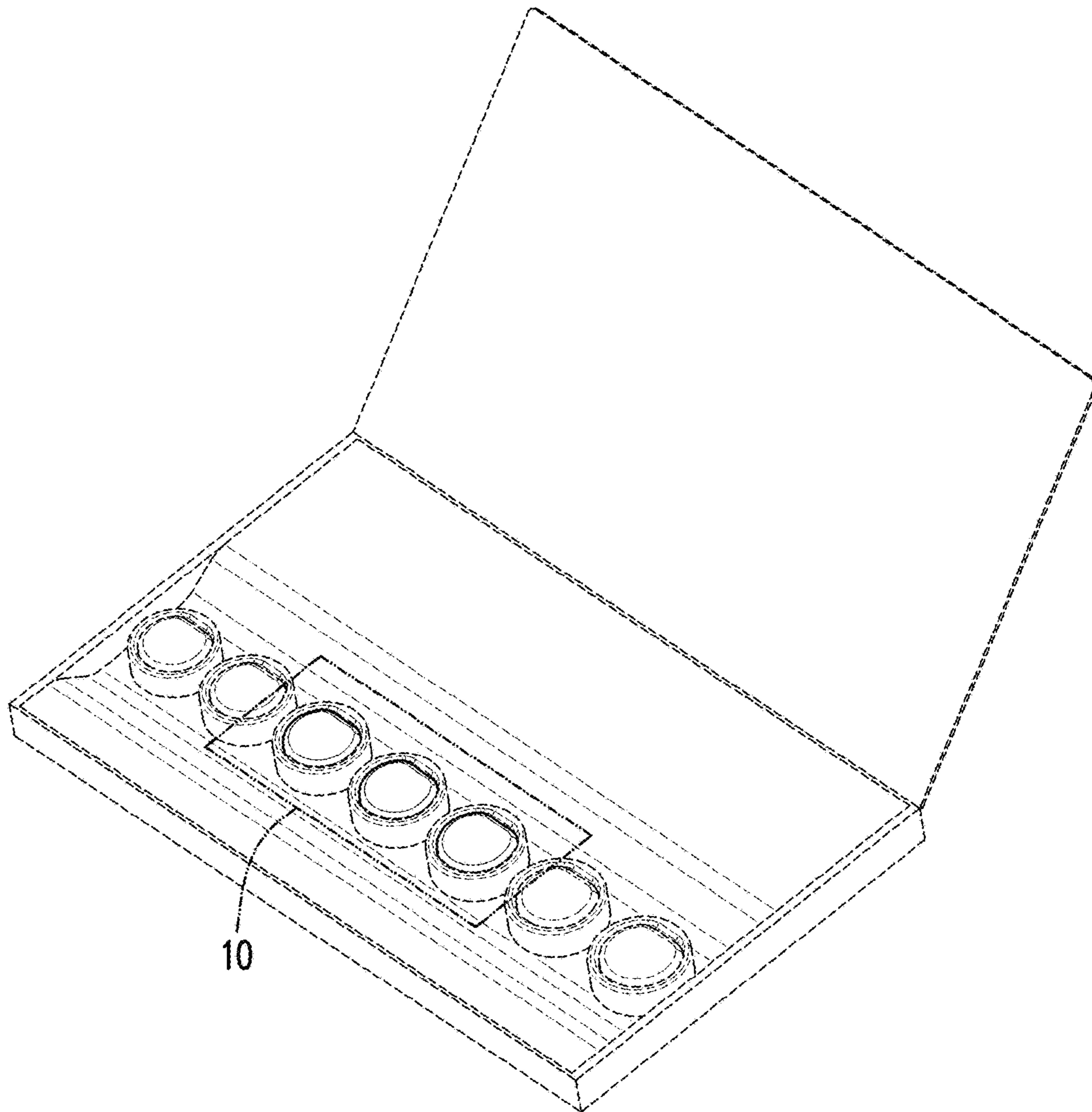


FIG. 8

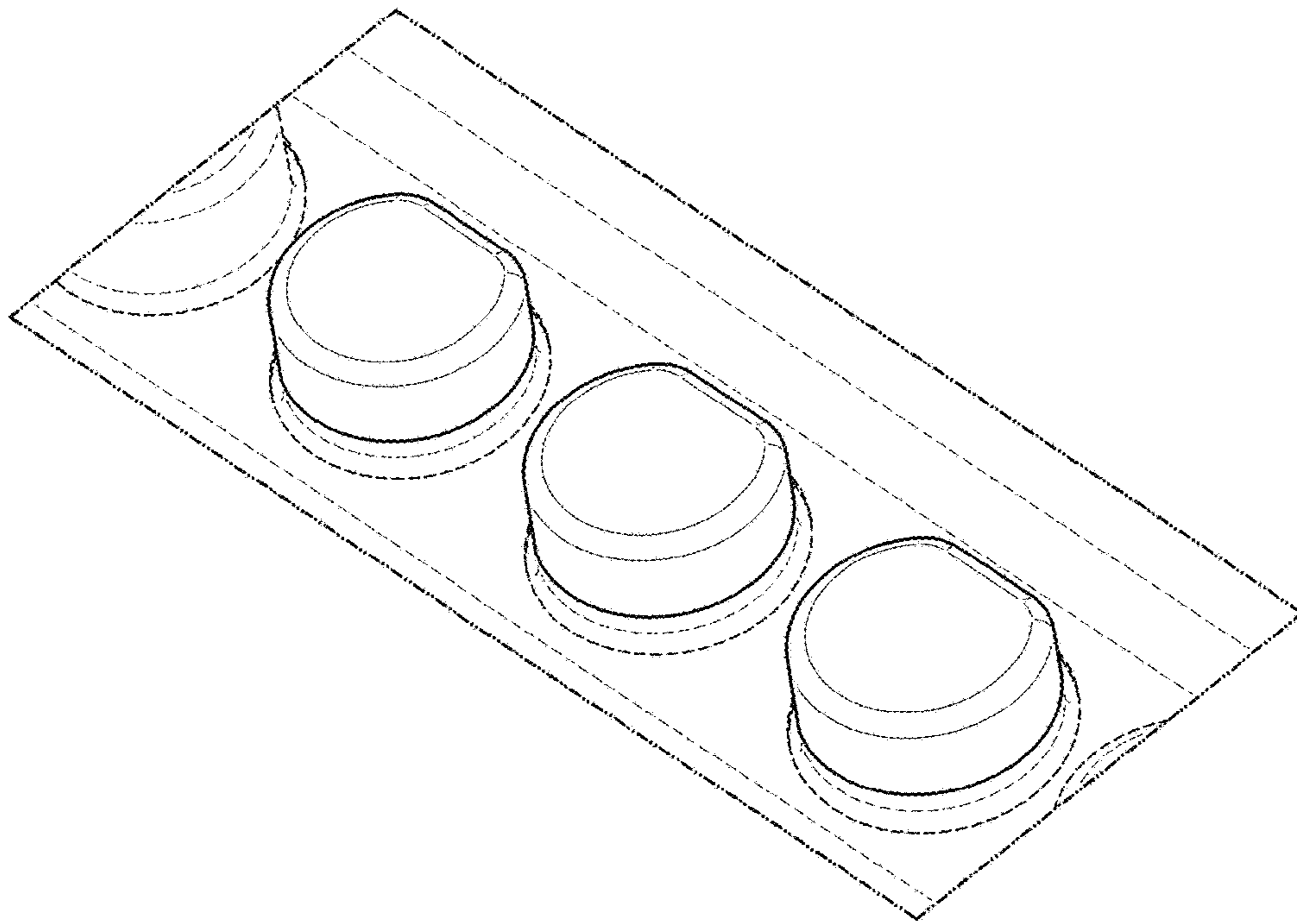


FIG. 9

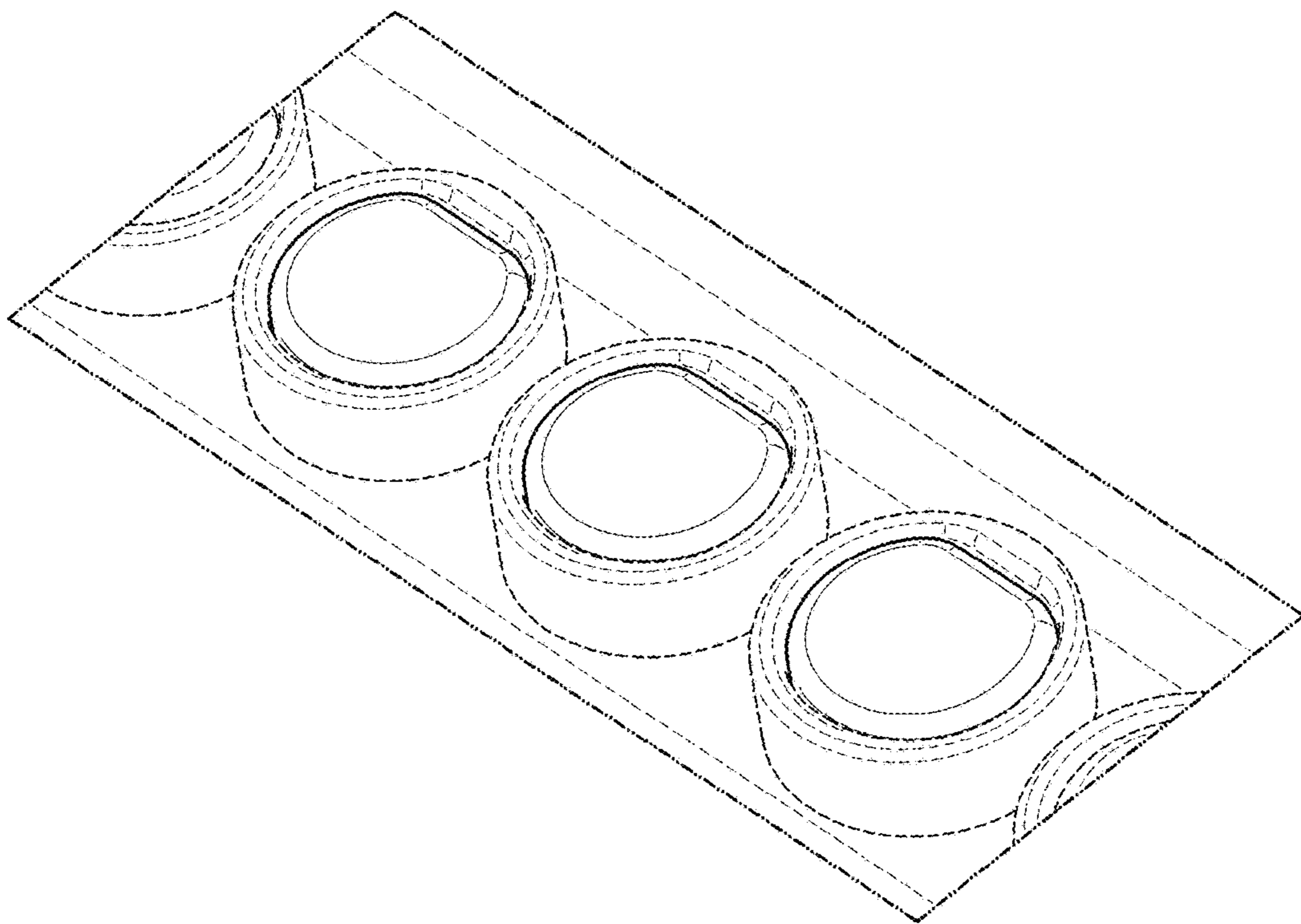


FIG. 10